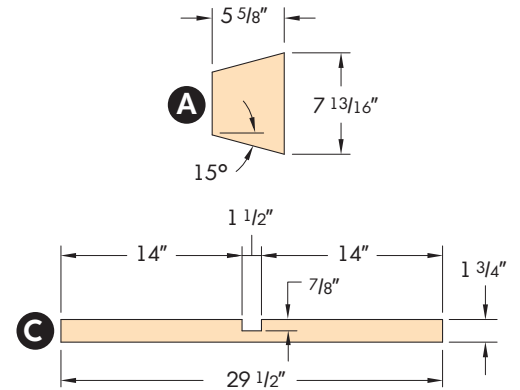
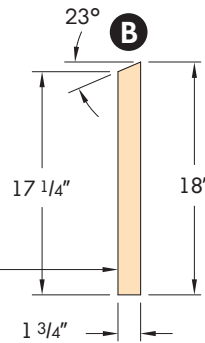


PARTS

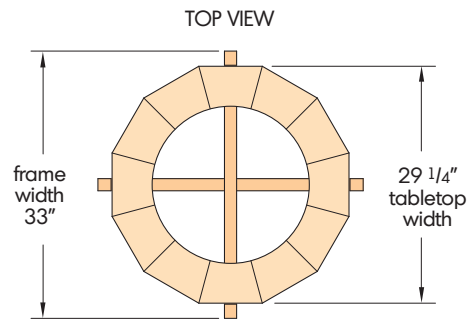
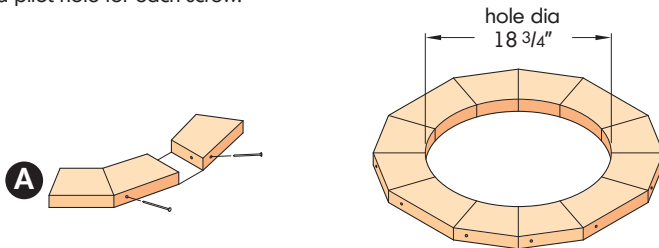
Rip 2 x 6s into 3 lengths for frame and leg pieces

- A** tabletop pieces - (12) (see drawing)
- B** legs - (4) (see drawing)
- C** frame crossbars - (4) (see drawing)
- D** ornamental insert - (1)

Put the radiused corners of the 2 x 6 boards to the outsides of the legs



To assemble the tabletop pieces, glue and clamp 2 pieces together. Then screw the two pieces together with a 3 1/2" deck screw at an angle. Continue to add pieces one by one using glue, clamps and deck screws. Drill a pilot hole for each screw.



Confirm that the frame crossbars ("C" pieces) are 1/8" to 1/4" larger than the tabletop width (from flat to flat). This will allow you to place the tabletop into the frame and remove it with ease.

