

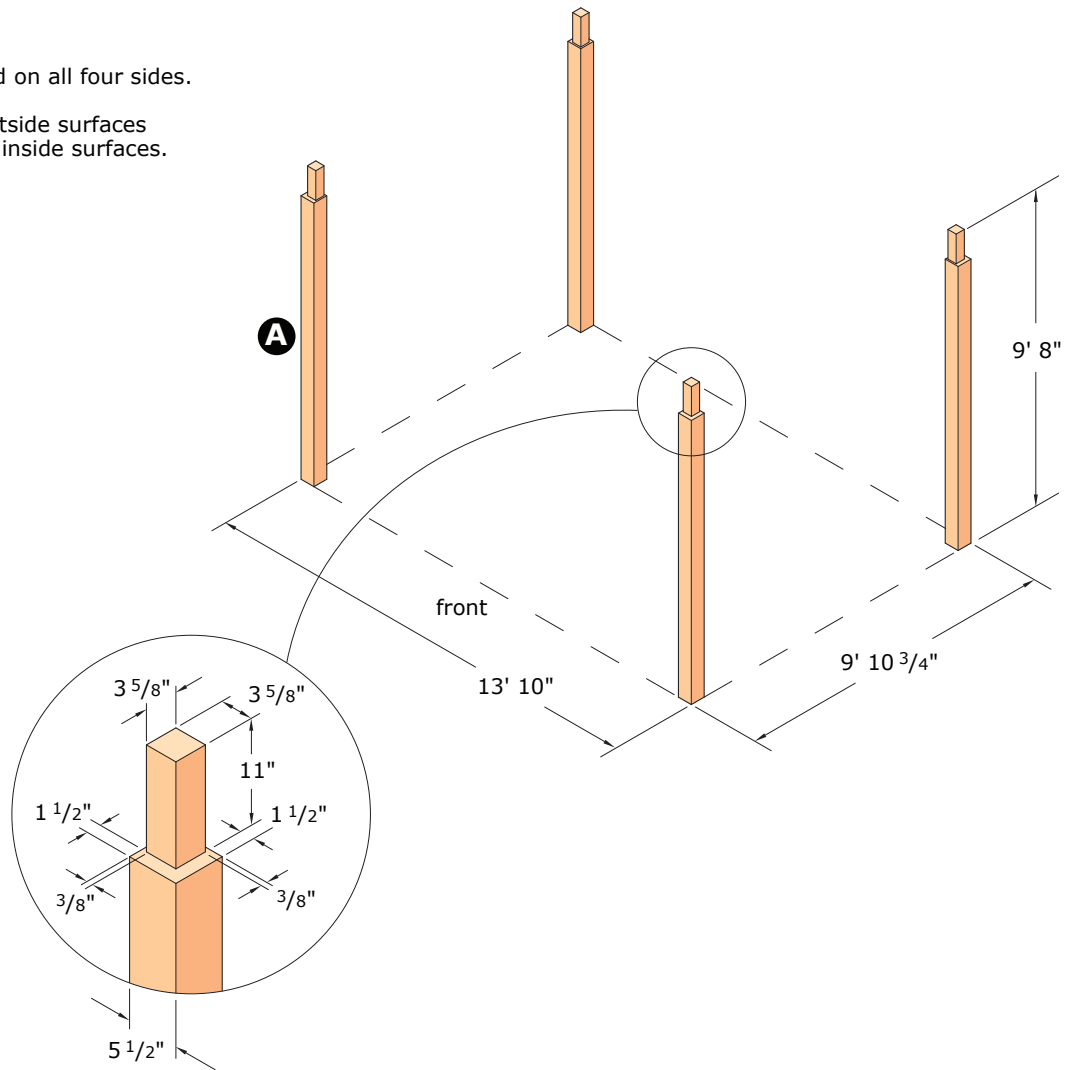
**PARTS:**

- A** posts - (4) 6 X 6 X 9' 8"
- B** lower level - front & back frame rafters - (2) 2 x 6 x 13' 7"
- C** lower level - side frame rafters - (2) 2 x 6 x 9' 10 3/4"
- D** lower level - inner rafters - (6) 2 x 6 x 9' 7 3/4"
- E** lower level - inner rafters - (6) 2 x 6 x 13' 7"
- F** upper level - side rafters - (2) 2 x 6 x 12'
- G** upper level - inner rafters - (4) 2 x 6 x 12'
- H** upper level - front & back rafters - (4) 2 x 6 x 15' 11 1/4"
- I** upper level - inner rafters - (12) 2 x 6 x 13' 7"
- J** blocking - (22) 4 x 4 x 11"
- K** angled brackets - (8) 4 x 4 x 22 1/2"
- L** trim on angle brackets - (8) 2 x 6 x 21 1/8"

**POSTS**

Each post is notched on all four sides.

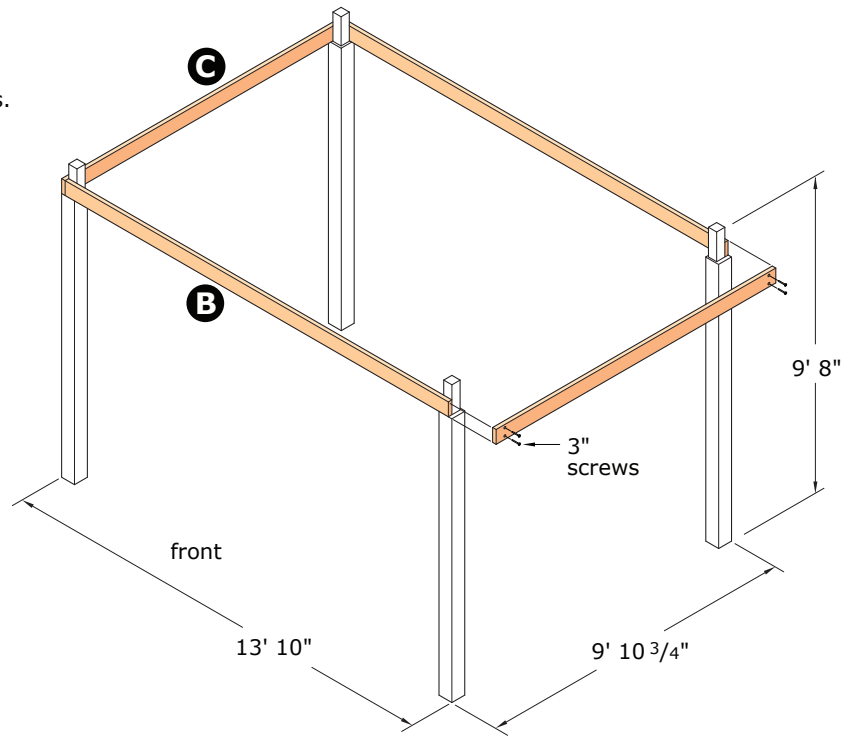
1 1/2" on the two outside surfaces  
and 3/8" on the two inside surfaces.



# LOWER LEVEL RAFTERS

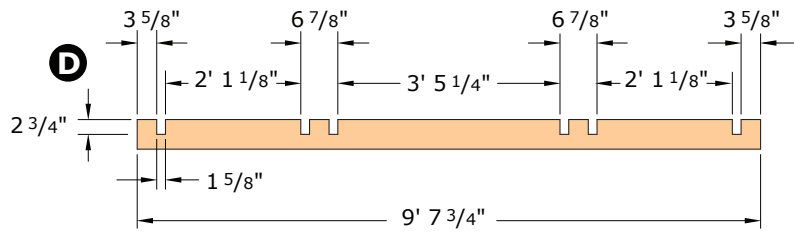
## FRAME RAFTERS

Place the frame rafters in the post notches and fasten them to the posts with 3" screws.



**NOTE:** Because of different milling widths, do on-site measurements before cutting slots in rafters to ensure proper fit.

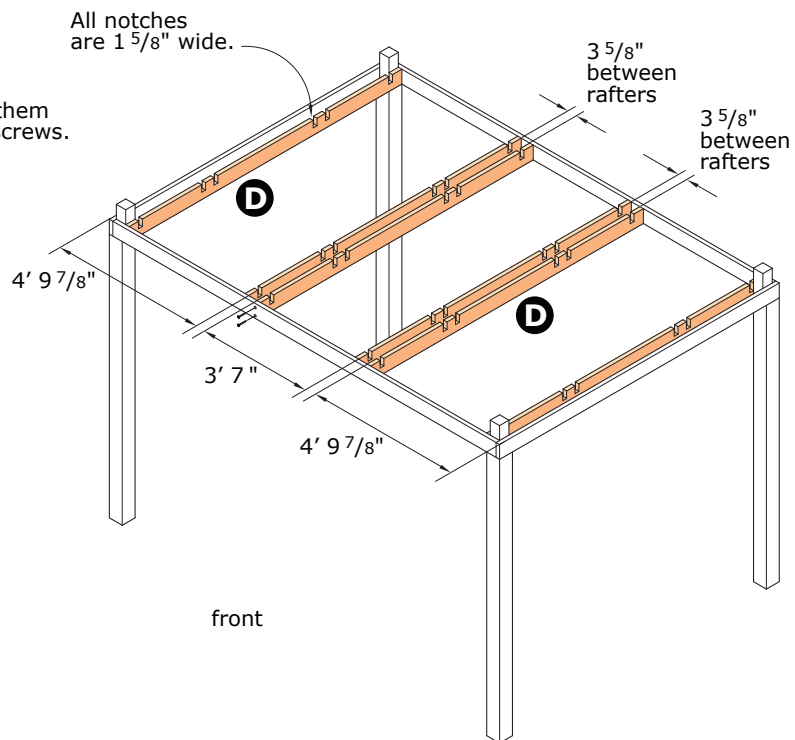
All notches are 1 5/8" wide x 2 3/4" deep.



"D" rafters - 6 req'd

## INNER RAFTERS

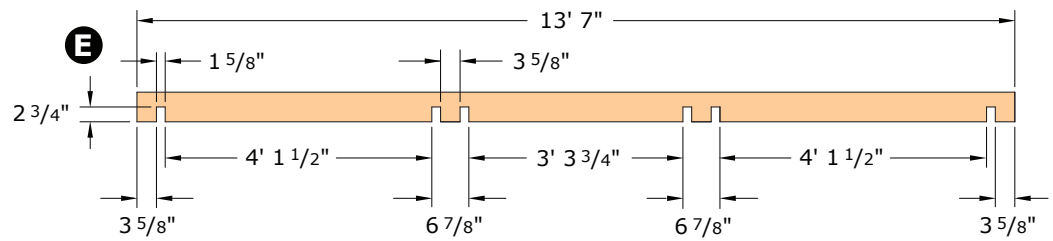
Insert the "D" inner rafters and fasten them to the posts and frame rafters with 3" screws.



**NOTE:** Because of different milling widths, do on-site measurements before cutting slots in rafters to ensure proper fit.

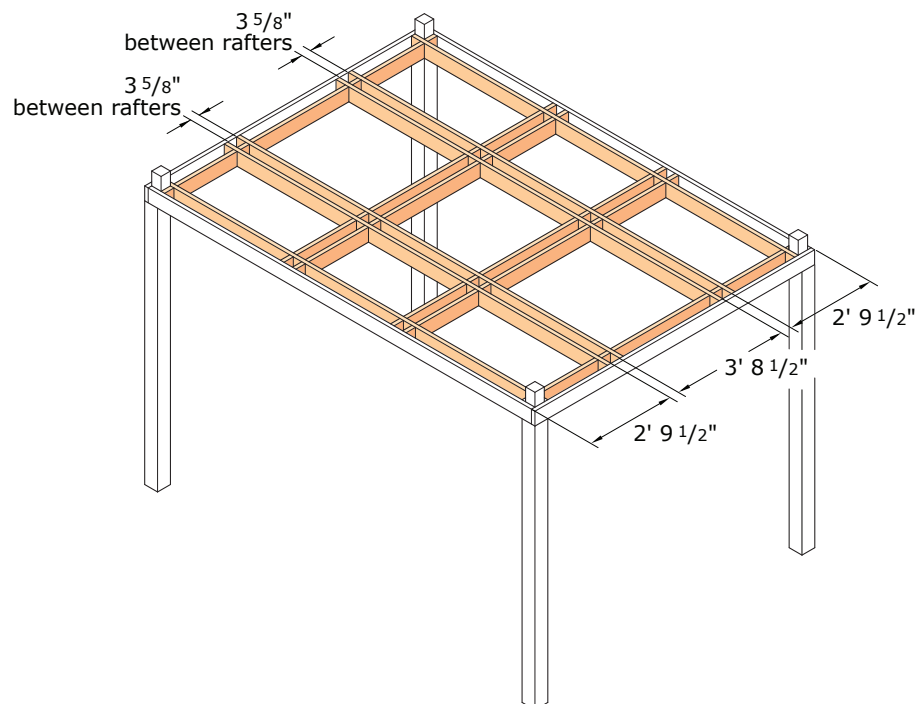
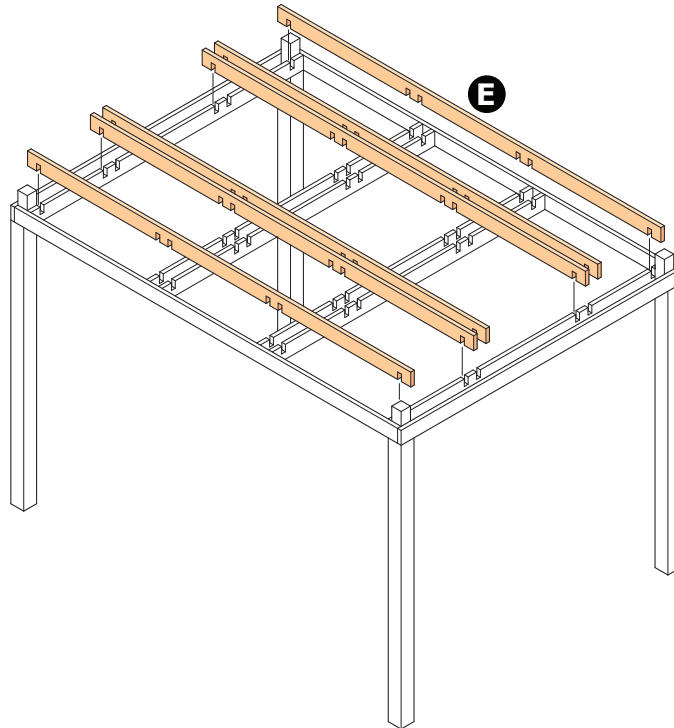
All notches are 1 5/8" wide x 2 3/4" deep.

"E" rafters - 6 required



## INNER RAFTERS

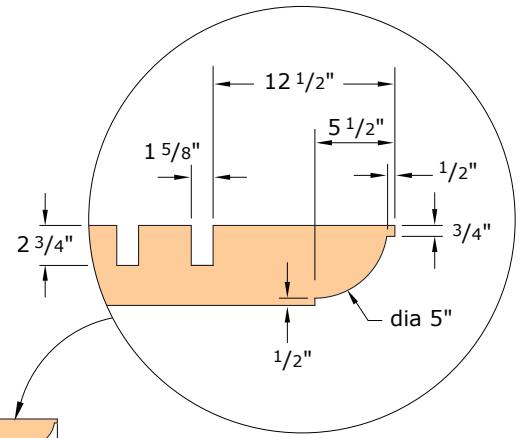
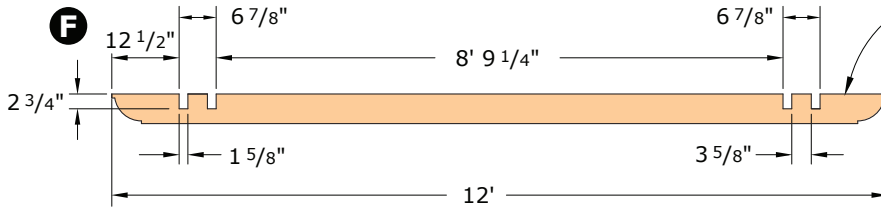
Insert the "E" rafters into the "D" rafters and fasten them to the posts and frame rafters with 3" screws.



# UPPER LEVEL RAFTERS

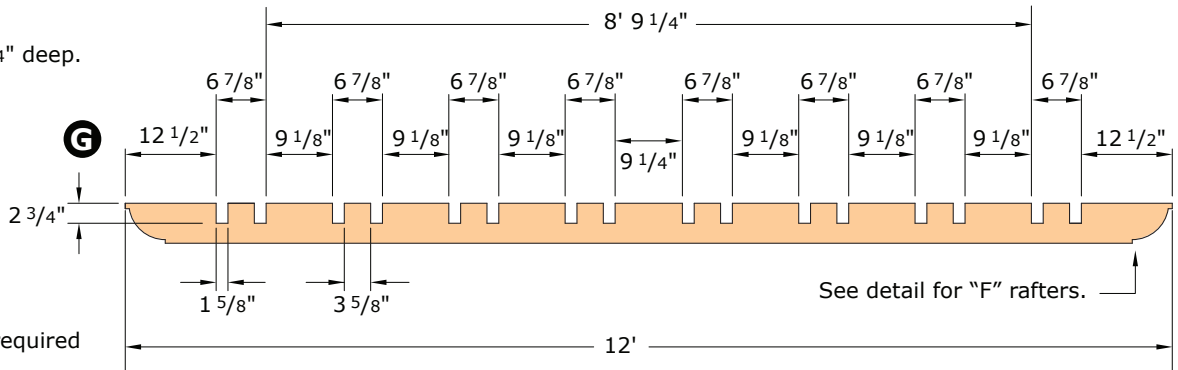
**NOTE:** Because of different milling widths, do on-site measurements before cutting slots in rafters to ensure proper fit.

All notches are 1 5/8" wide x 2 3/4" deep.



"F" rafters - 2 required

All notches are 1 5/8" wide x 2 3/4" deep.

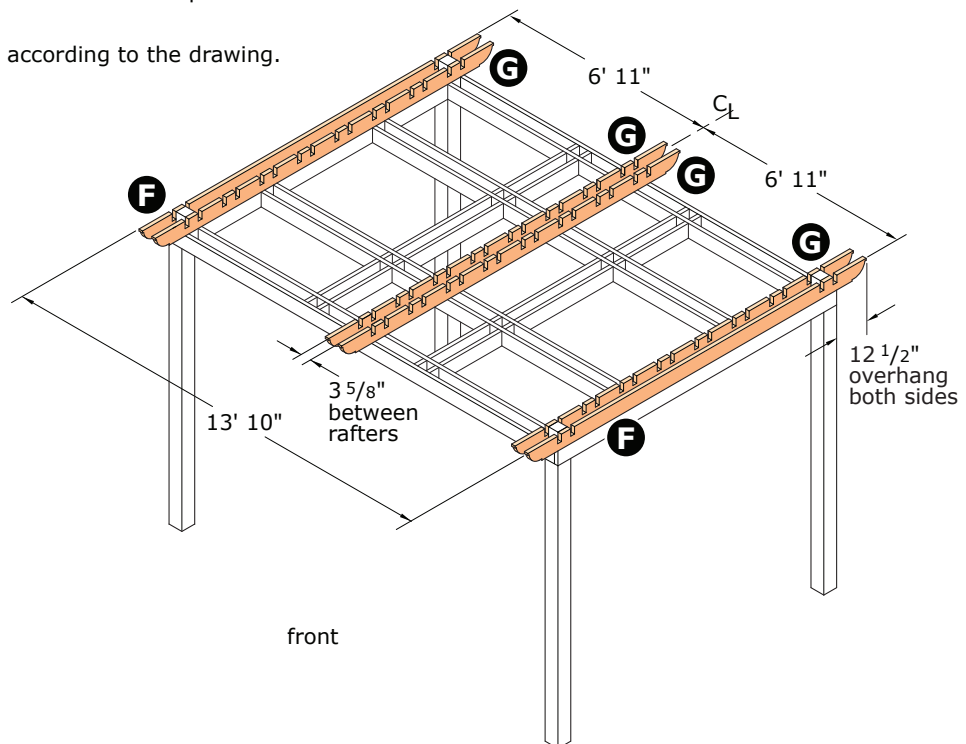


"G" rafters - 4 required

## SIDE & MIDDLE RAFTERS

Fasten the two "F" rafters to the outsides of the posts using 3" screws.

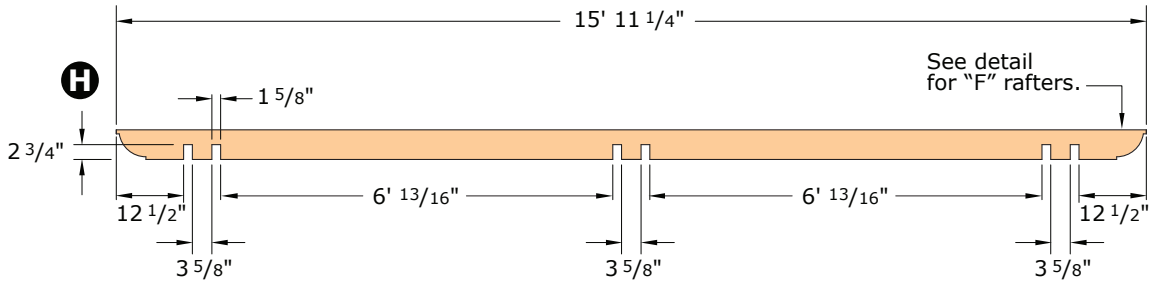
Now install the four "G" rafters according to the drawing.



# UPPER LEVEL RAFTERS

**NOTE:** Because of different milling widths, do on-site measurements before cutting slots in rafters to ensure proper fit.

All notches are 1 5/8" wide x 2 3/4" deep.

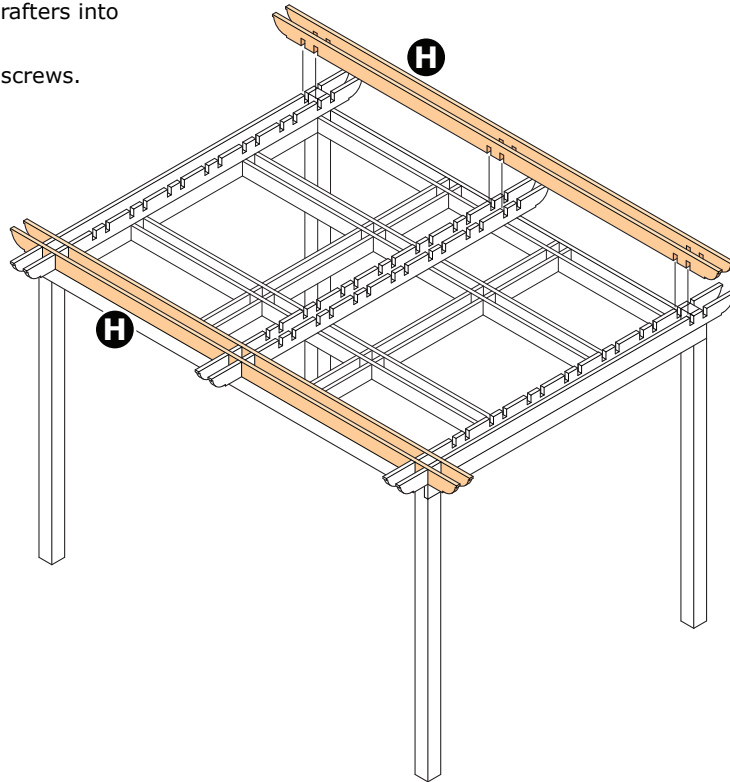


"H" rafters - 4 required

# FRONT & BACK RAFTERS

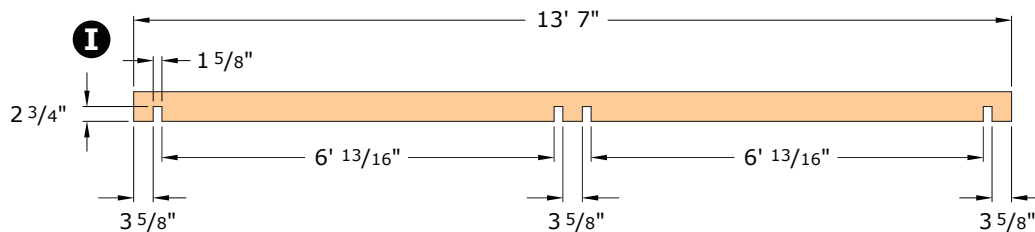
Insert the four front and back "H" rafters into the "F" and "G" rafters.

Fasten them to the posts using 3" screws.



**NOTE:** Because of different milling widths, do on-site measurements before cutting slots in rafters to ensure proper fit.

All notches are 1 5/8" wide x 2 3/4" deep.



"I" rafters - 12 required

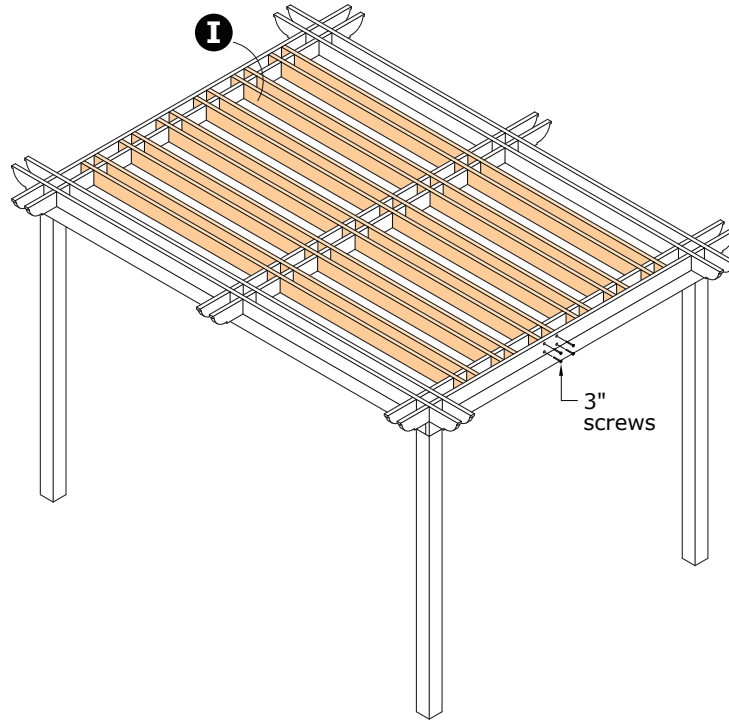
# UPPER LEVEL RAFTERS

---

## INNER RAFTERS

Insert the twelve inner rafters into the roof structure.

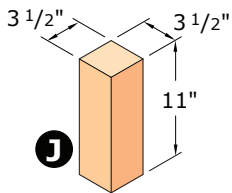
Fasten them to the side rafters using 3" screws.



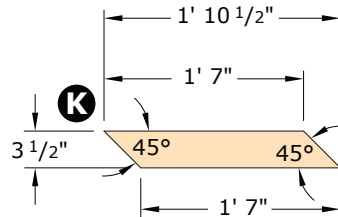
---

## SPACERS, BRACKETS & TRIM

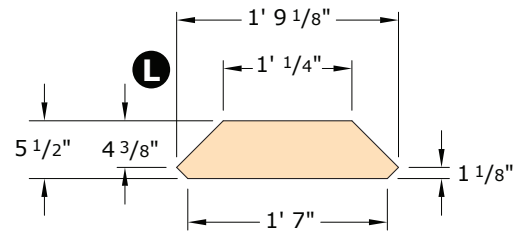
4 x 4 spacers - 22 req'd



4 x 4 brackets - 8 req'd



2 x 6 trim - 8 req'd



---

## SPACERS

Insert the spacers through both rafter layers.  
Insert 6 spacers in each side, 5 spacers  
in the front and 5 in the back.

## ANGLE BRACKETS

Fasten the brackets to the posts and the  
spacers using  $\frac{1}{2}$ " x 6" lag bolts and washers.

## TRIM

Finish the outsides of the brackets  
with 2 x 6 trim pieces.

