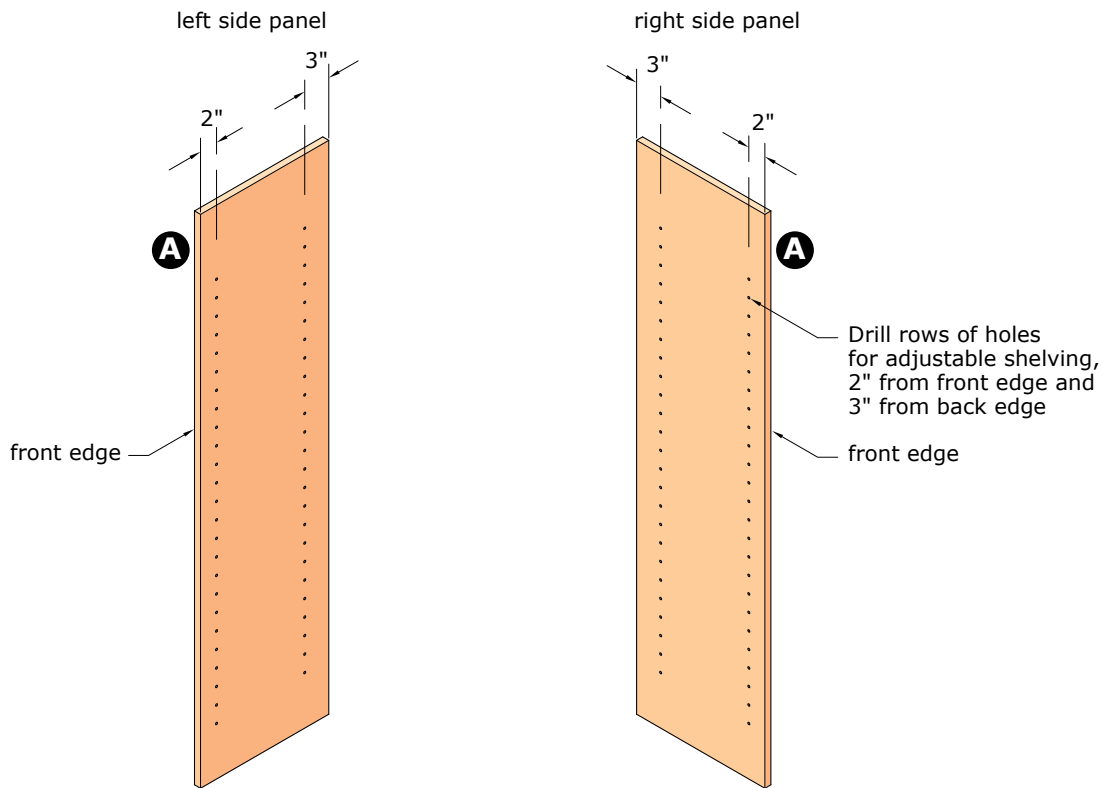
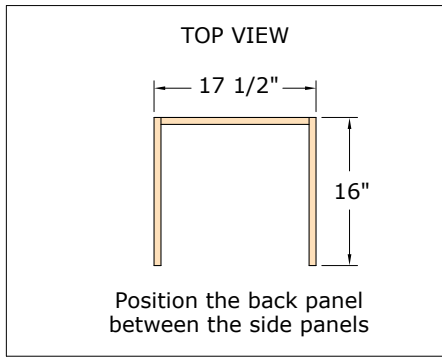


PARTS

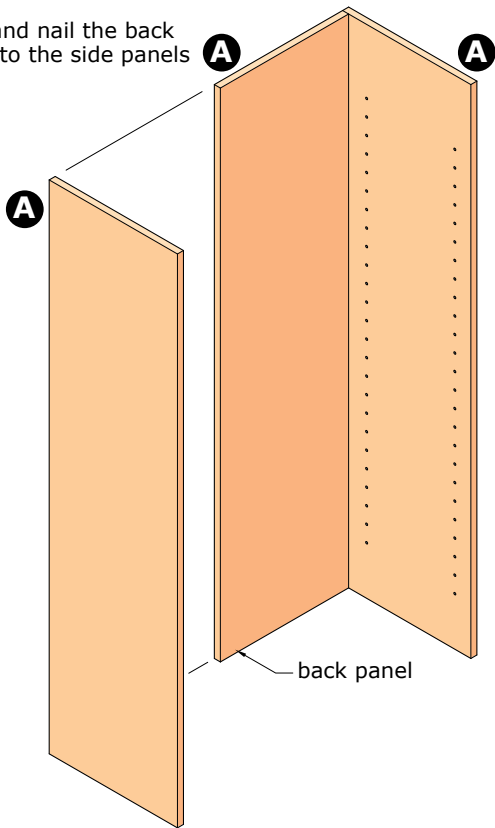
- A** panels - back and sides (3) $\frac{3}{4}$ " x 16" X 62"
- B** top and base pieces - (3) $\frac{3}{4}$ " x 16" X $17\frac{1}{2}$ "
- C** crown moulding - (8) cut to fit
- D** $\frac{1}{4}$ " plywood cap - (1) cut to fit
- E** frame - (4) $\frac{3}{4}$ " x $3\frac{1}{2}$ " x 16" (cut from 1 x 4's)
- F** $\frac{1}{4}$ " plywood base frame bottom - (1) (cut to fit)
- G** shelves - (4) $\frac{3}{4}$ " x $15\frac{3}{4}$ " x 15" deep
- H** cork - (1) $\frac{1}{4}$ " x 12" x 48"
- I** $1\frac{1}{8}$ " pine panel trim - (4 cut to fit)

CABINET

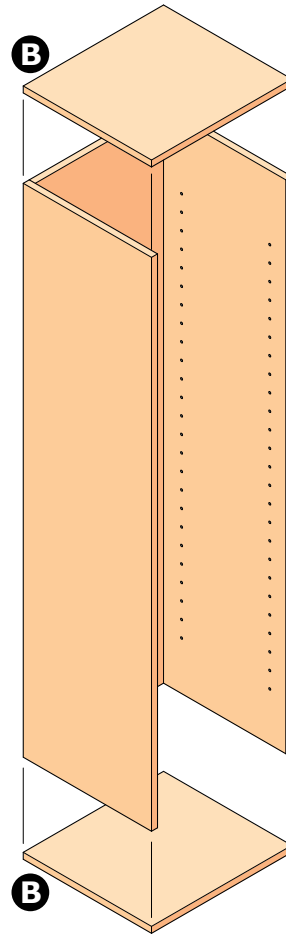




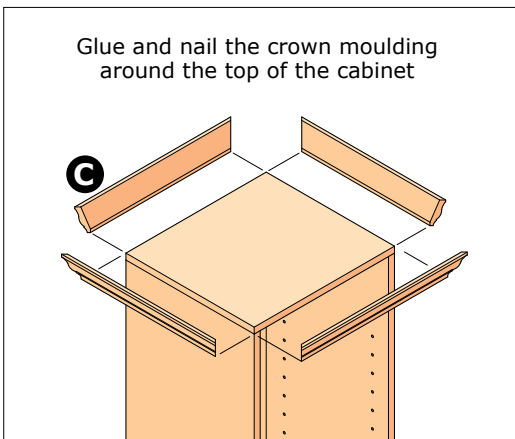
Glue and nail the back panel to the side panels



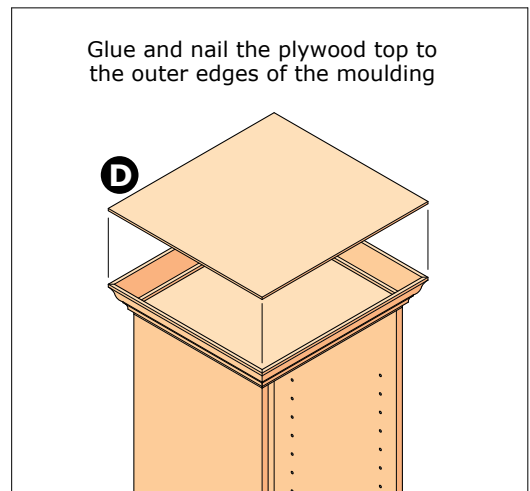
Glue and nail the top and bottom pieces to the cabinet



Glue and nail the crown moulding around the top of the cabinet

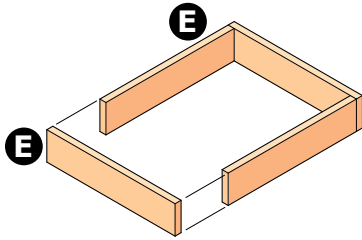


Glue and nail the plywood top to the outer edges of the moulding

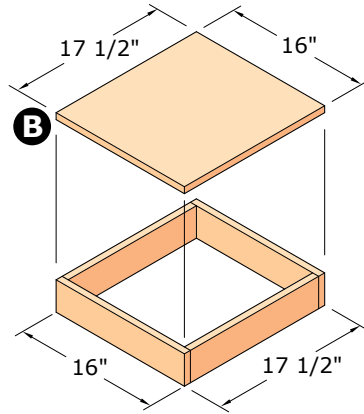


BASE FRAME

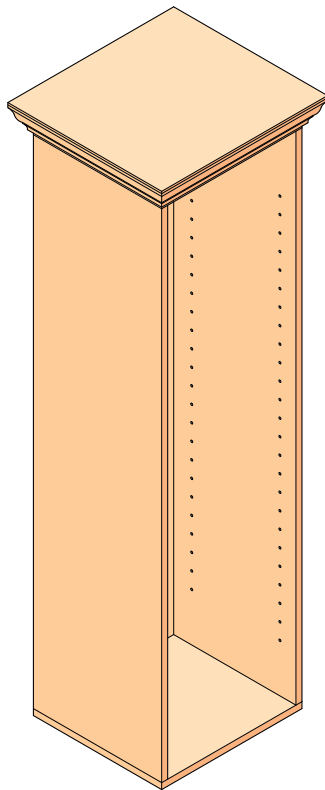
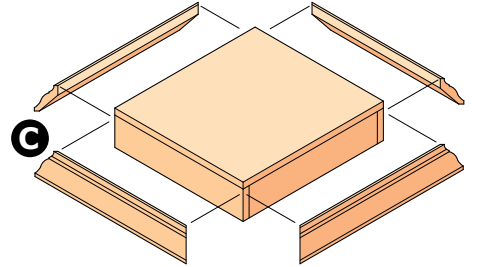
Assemble the base pieces to make a 16" x 17 1/2" frame



Glue and nail the top to the base frame



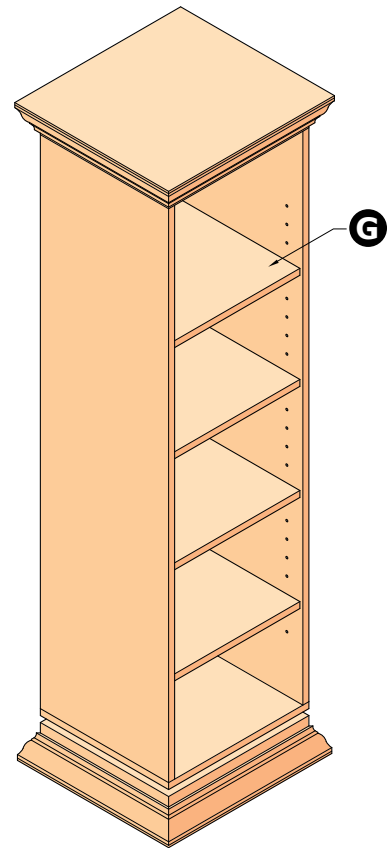
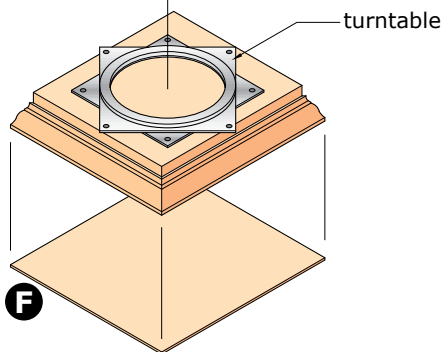
Fasten the moulding to the base making it flush with the bottom edges



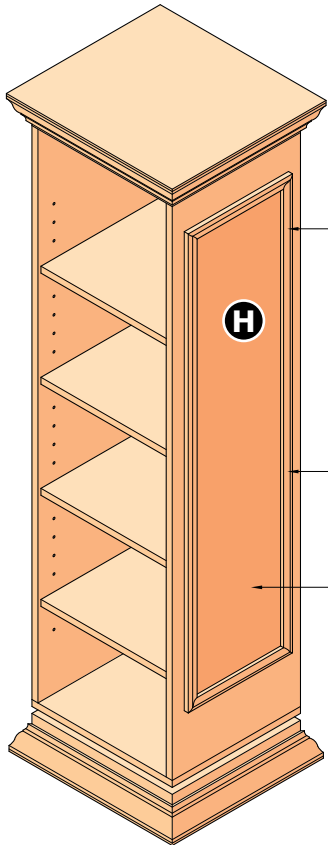
Install the turntable according to instructions

Ensure that the cabinet and base are centred and oriented in the 16" and 17 1/2" direction

After the turntable is installed, mount the plywood cover over the bottom of the base



Insert shelf supports and install shelves



I

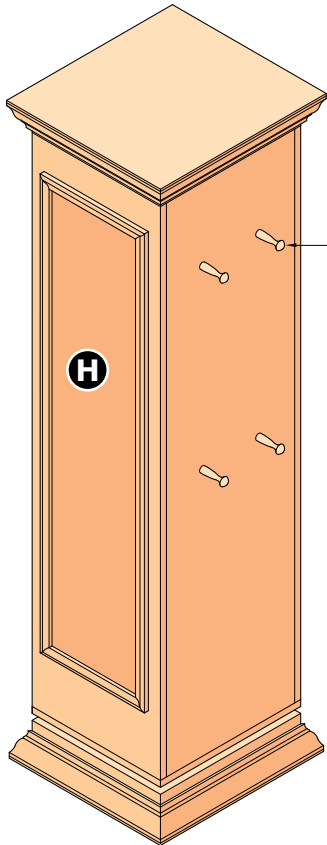
H

Attach cork panel to side of cabinet with contact cement
Trim the cork panel with pine

pine trim

cork panel

BACK VIEW



pegs

H

mirror

