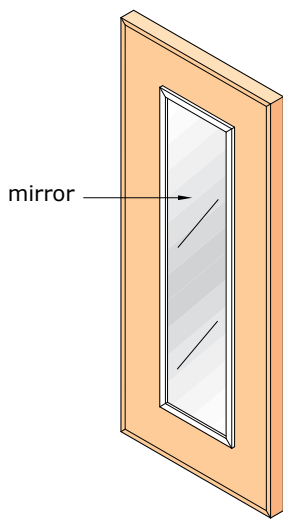
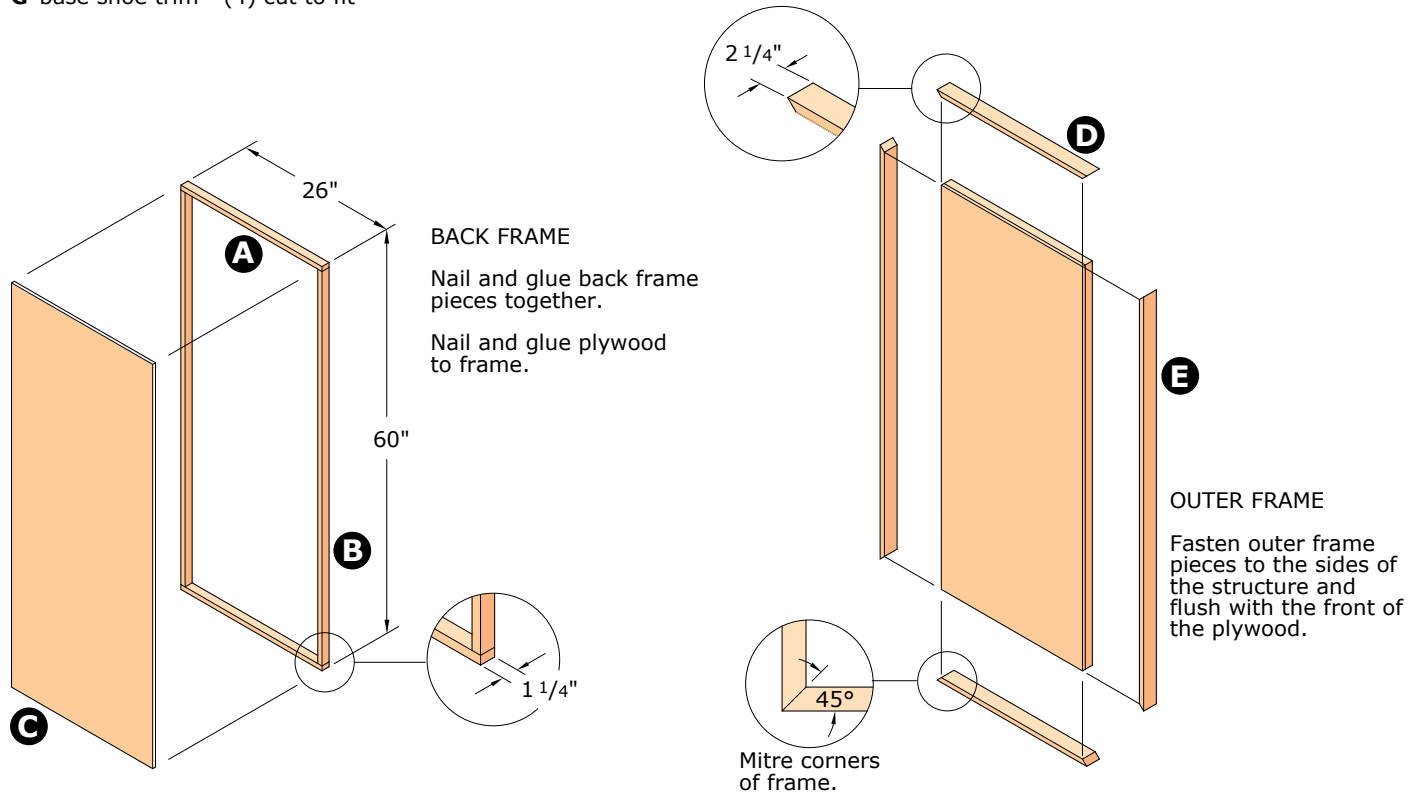
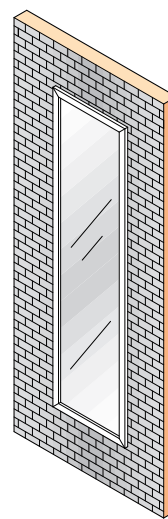


**PARTS:**

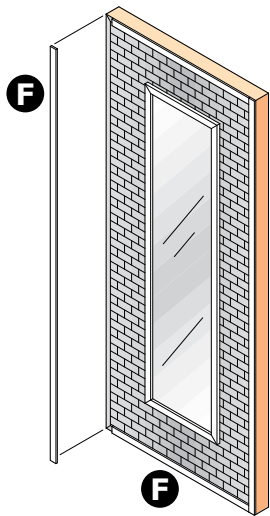
- A** back frame - (2) 3/4" x 1 1/4" x 26"
- B** back frame - (2) 3/4" x 1 1/4" x 58 1/2" (approx)
- C** plywood - (1) 1/4" x 26" x 60"
- D** outer frame - (2) 3/4" x 2 1/4" x cut to fit
- E** outer frame - (2) 3/4" x 2 1/4" x cut to fit
- F** corner guard - (4) cut to fit
- G** base shoe trim - (4) cut to fit



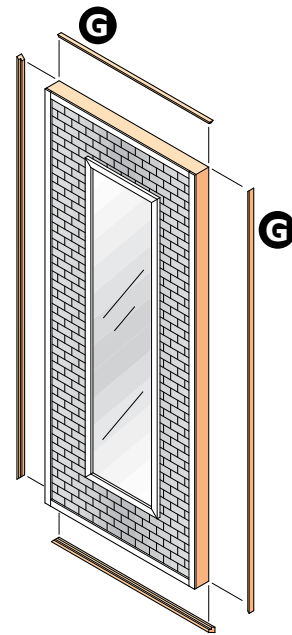
Centre the mirror on the front of the plywood panel and fasten with adhesive.



Peel the backing on the tiles and apply to the plywood around the mirror.



Fit corner guard around the front edges.



Fit base shoe trim to the side and back edges.

