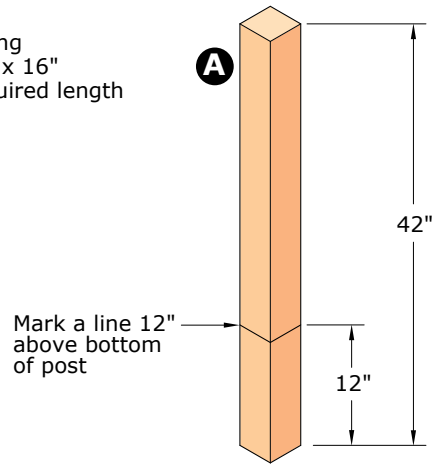
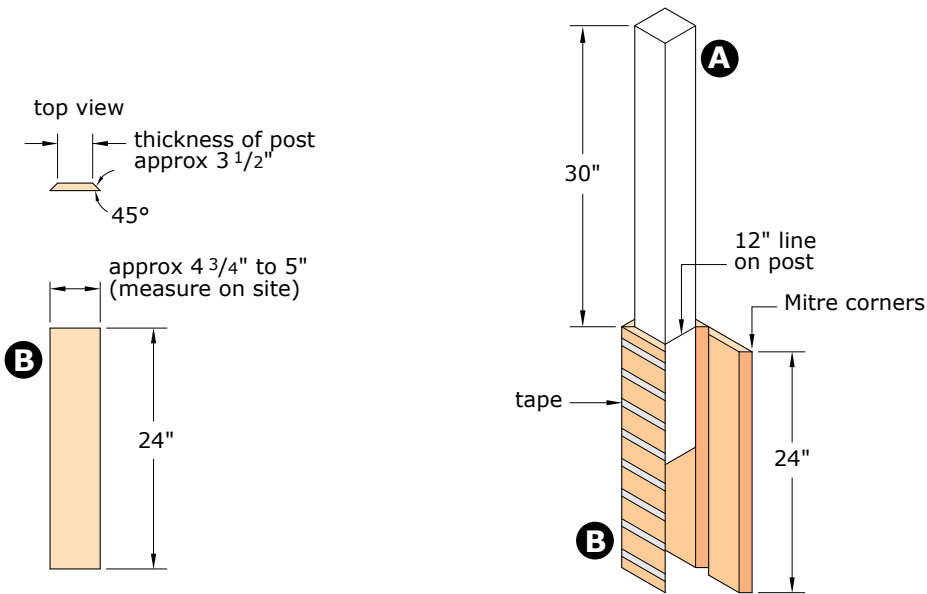


## PARTS

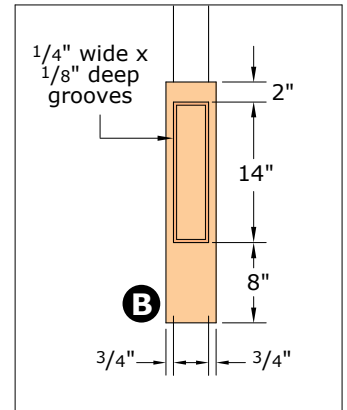
- A** cedar post - (1) 4 x 4 x 42" long
- B** plywood panels - (4) see drawing
- C** 1" x 1" moulding - (4) cut to fit
- D** plywood base trim - (4) see drawing
- E** plywood base for mailbox - (1) 6" x 16"
- F** cedar post - (1) 4 x 4 x cut to required length



### GLUE & WRAP PANELS AROUND POST

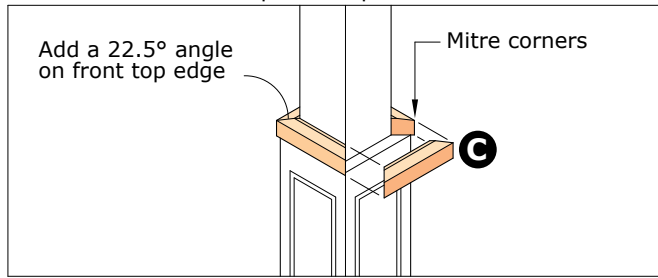


### ROUTER GROOVES INTO PANELS



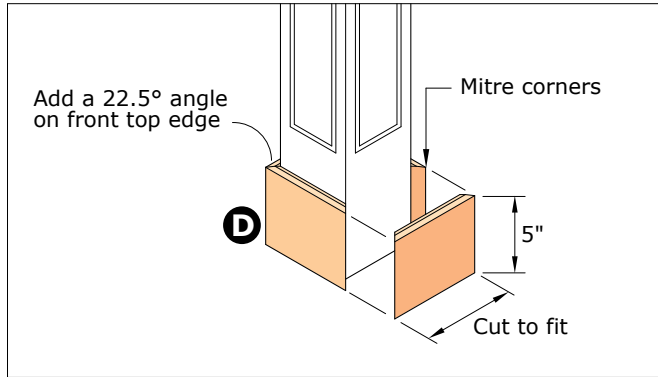
Glue and nail moulding to post and panels

INSTALL MOULDING ABOVE PANELS



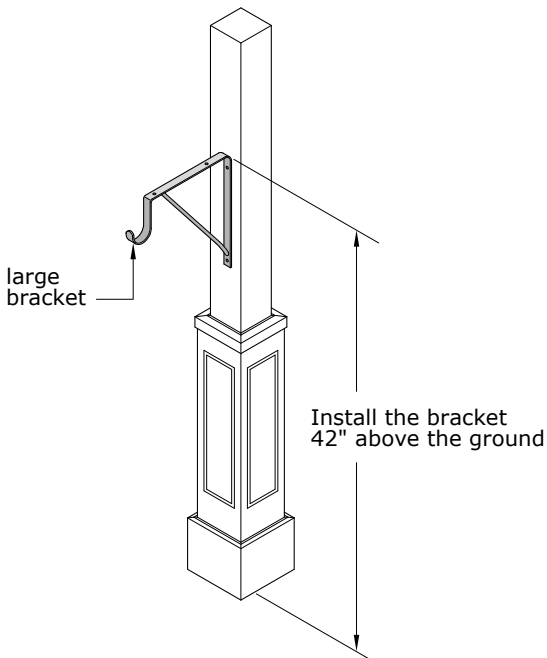
Glue and nail trim to base

INSTALL TRIM AROUND BASE



INSTALL GROUND POST & ASSEMBLE MAILBOX STAND

INSTALL LARGE BRACKET



INSTALL MAILBOX BASE

