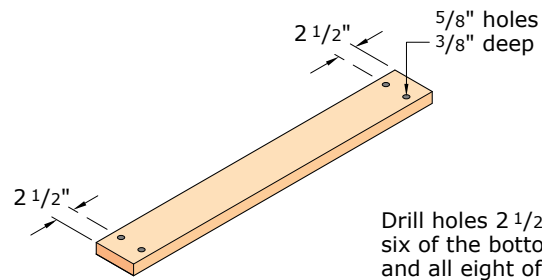


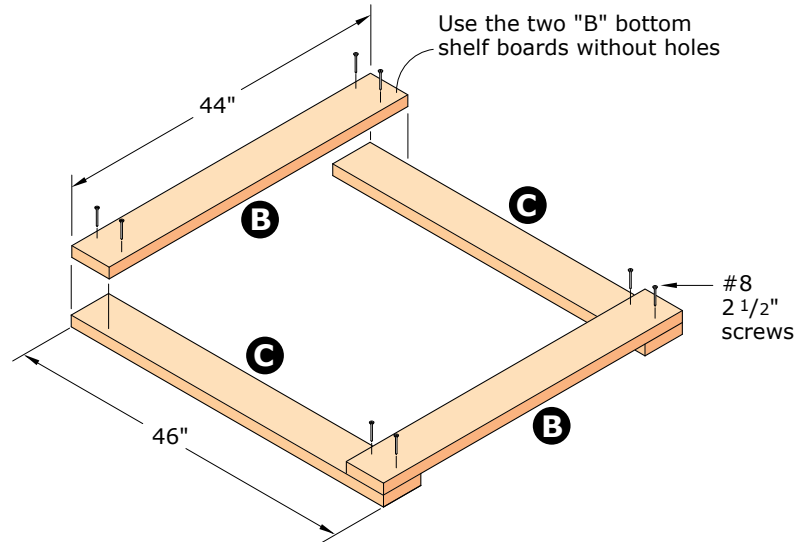
PARTS:

- A** legs - (4) 6 x 6 x 6 1/2" high
- B** bottom shelf boards - (8) 2 x 6 x 44"
- C** cross members - (4) 2 x 6 x 46"
- D** tabletop boards - (8) 2 x 6 x 46"

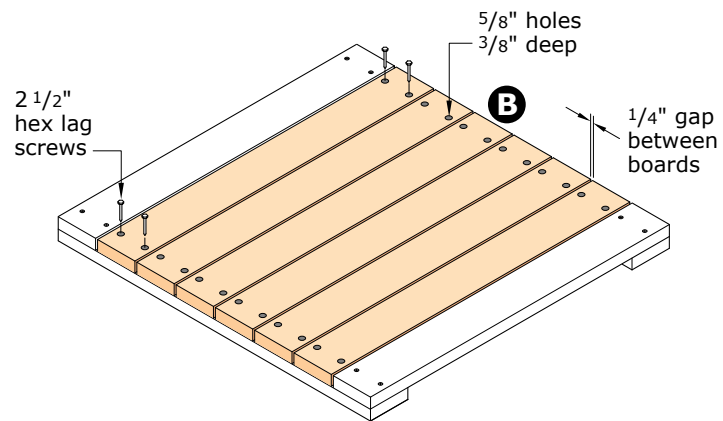


Drill holes 2 1/2" in from the ends of six of the bottom shelf boards (44" long), and all eight of the tabletop boards (46" long)

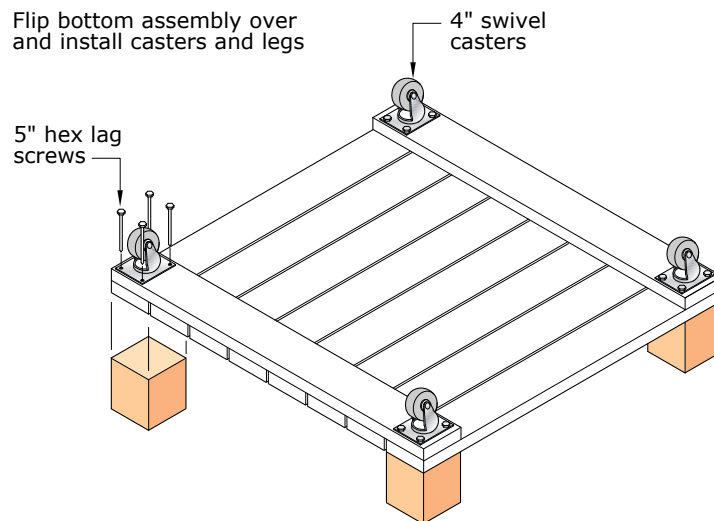
BOTTOM FRAME



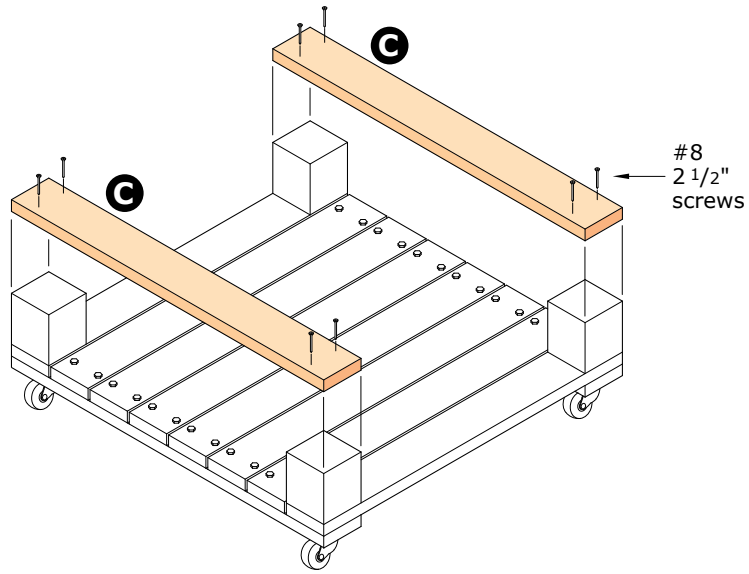
BOTTOM SHELF



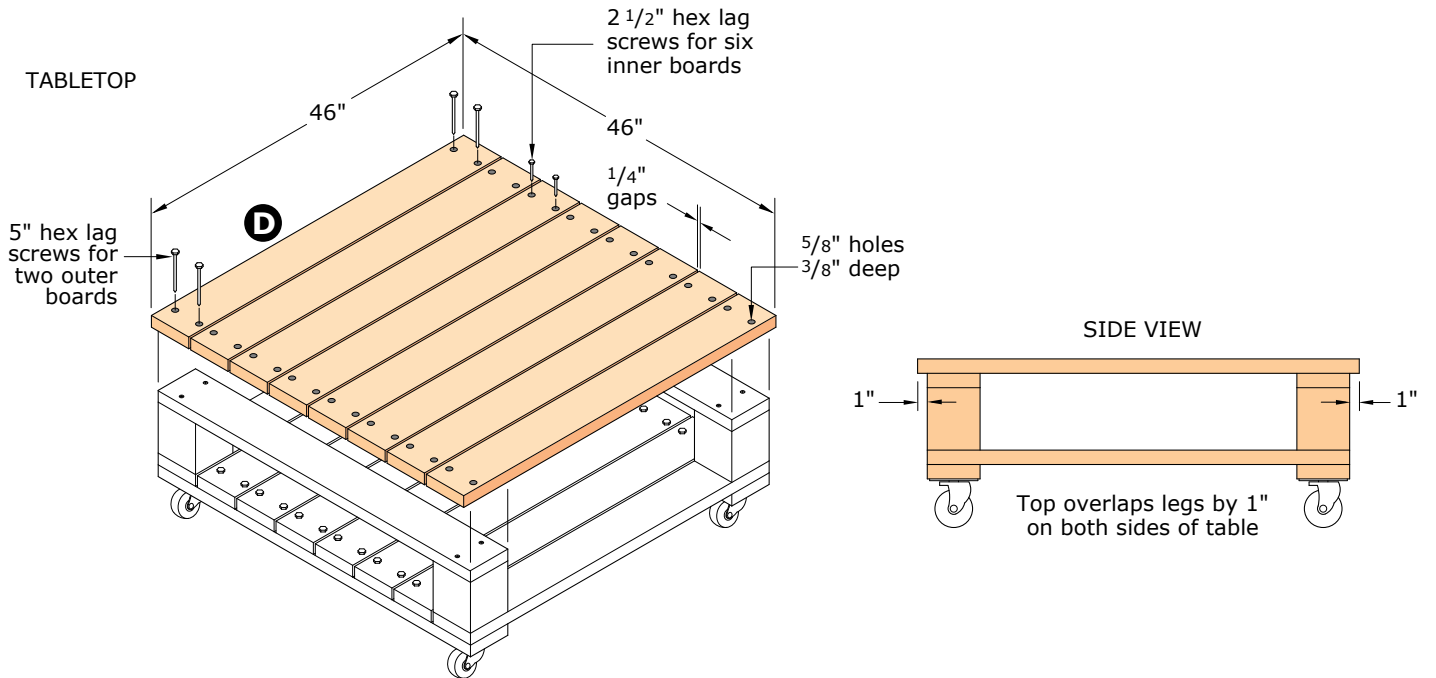
CASTERS & LEGS



TABLETOP CROSS MEMBERS



TABLETOP



TABLETOP CUTOUT

