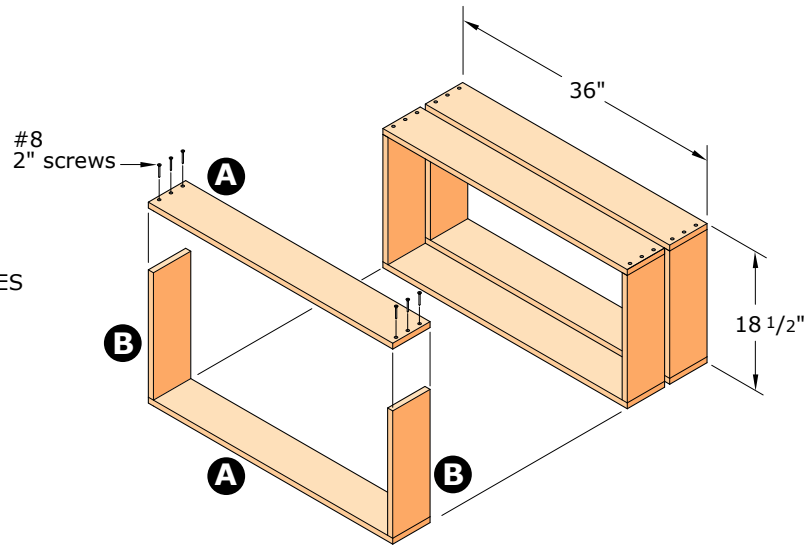


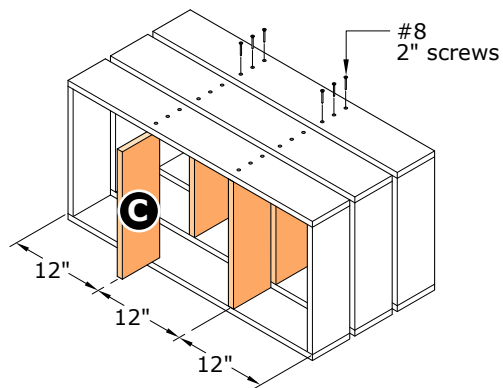
PARTS:

- A** tops & bottoms - (6) 1 x 6 x 36"
- B** end pieces- (6) 1 x 6 x 17"
- C** dividers - (6) 1 x 6 x 17"
- D** cross members - (2) 1 x 6 x 18"

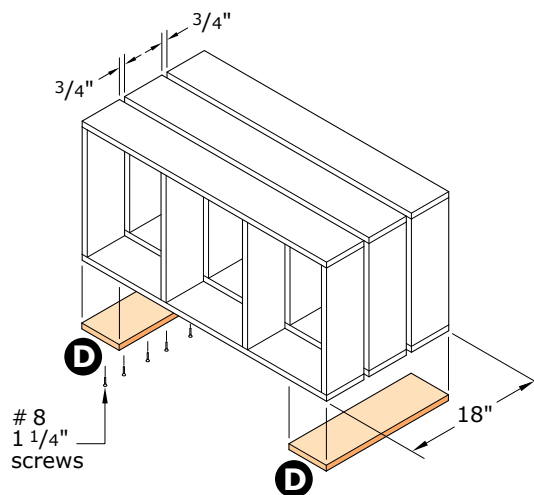
ASSEMBLE 3 FRAMES



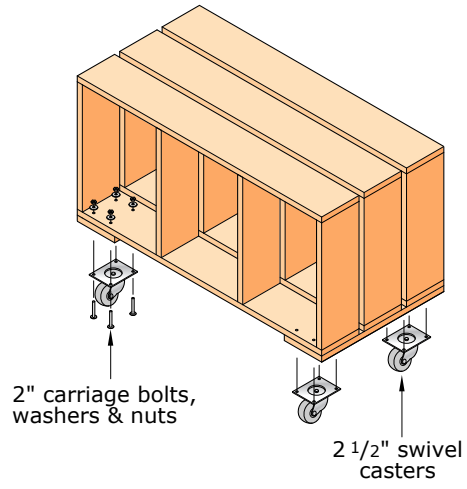
INSTALL DIVIDERS



FASTEN CROSS MEMBERS TO FRAMES



INSTALL CASTERS



INSTALL ANGLE STRIPS
& HITCHING RINGS

