

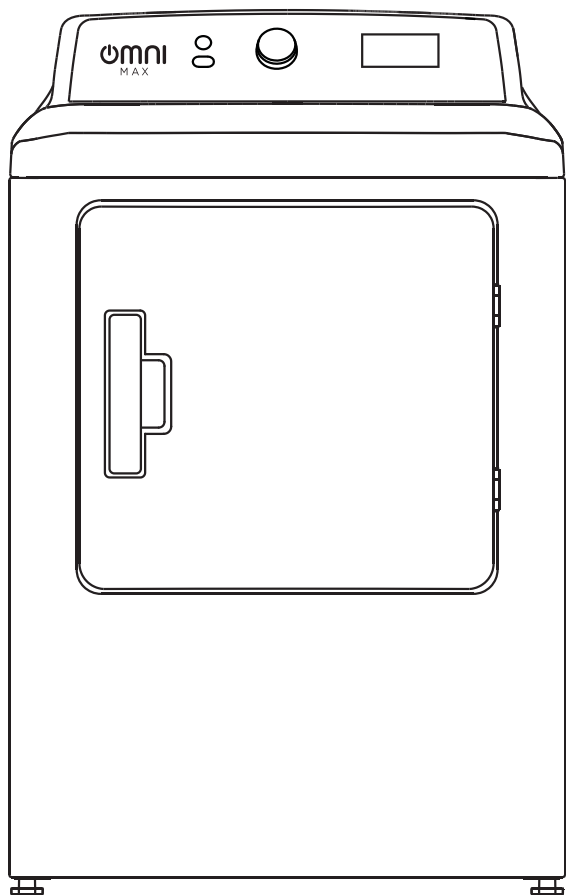


Before using your new product, please read these instructions to prevent any damage.

# Electric Dryer

## OWNER'S MANUAL

### CLADE67W



# Contents

IMPORTANT SAFETY INSTRUCTIONS.....	3
Features.....	5
Package contents.....	5
Front components.....	5
Back components.....	5
Control panel.....	6
Unpacking your dryer.....	7
Choosing a location.....	7
Exhausting requirements.....	11
Ducting requirements.....	11
Electric requirements—Canada only.....	13
Grounding requirements.....	14
Installing your dryer.....	15
Tools you will need.....	15
Before you start.....	15
Step-by-Step instructions.....	15
Reversing the dryer door.....	18
Using your dryer.....	20
Drying a load of clothes.....	20
Unloading your dryer.....	21
Setting the child lock.....	21
Cleaning the lint filter.....	22
Dryer options and settings.....	23
Special laundry tips.....	24
Maintaining your dryer.....	24
Cleaning the exterior.....	24
Cleaning the drum.....	24
Cleaning the control panel.....	24
Cleaning and inspecting the exhaust system.....	25
Troubleshooting.....	25
Understanding the error codes.....	26
Specifications.....	26
Fabric care chart.....	27

# IMPORTANT SAFETY INSTRUCTIONS

## SAVE THESE INSTRUCTIONS

This *User Guide* contains important information on the installation, use, and care of your dryer. Please read this guide carefully before installing and operating your dryer to prevent injury and property damage.

The Warnings and Important Safety Instructions in this guide do not cover all possible conditions and situations that may occur. You are responsible for using common sense, caution, and care when you install, operate, and maintain your dryer.



### **WARNING**

This indicates that hazards or unsafe practices may cause **serious personal injury or death**.

To reduce the risk of fire, explosion, electric shock, or personal injury when using your dryer, you **SHOULD** follow these basic safety precautions.

### **CAUTION**

This indicates that hazards or unsafe practices may cause **minor personal injury or property damage**.



This symbol indicates that there are important operating and maintenance instructions in the literature accompanying your dryer.

### **State of California Proposition 65 Warnings**

The California Safe Drinking Water and Toxic Enforcement Act requires the Governor of California to publish a list of substances known to the State of California to cause cancer, birth defects, or other reproductive harm, and requires businesses to warn of potential exposure to such substances. This product contains a chemical known to the State of California to cause cancer, birth defects, or other reproductive harm. This appliance can cause low-level exposure to some of the substances listed, including benzene, formaldehyde, and carbon monoxide.



### **WARNING**



Do not store or use gasoline or other flammable vapors and liquids in the vicinity of this or any other appliance.

#### **WHAT TO DO IF YOU SMELL GAS:**

- Do not try to light any appliance.
- Do not touch any electrical switch;
- Do not use any phone in your building.
- Clear the room, building, or area of all occupants.
- Immediately call your gas supplier from a neighbor's phone. Follow the gas supplier's instructions.
- If you cannot reach your gas supplier, call the fire department.
- Installation and service must be performed by a qualified installer, service agency, or the gas supplier.



### **WARNING** Fire Hazard

Failure to follow safety warnings exactly could result in serious injury, death, or property damage. Do not install a booster fan in the exhaust duct. Install all clothes dryers in accordance with the installation instructions of the manufacturer of your dryer.



### **WARNING** To reduce the risk of fire or explosion

- Do not dry items that have been previously cleaned, washed, soaked, or spotted with gasoline, dry cleaning solvents, or other flammable or explosive substances. They emit vapors that could ignite or explode. Any material that has been in contact with a cleaning solvent or flammable liquids or solids should not be placed in your dryer until all traces of these flammable liquids or solids and their fumes have been removed.

- There are many highly flammable items used in homes, such as acetone, denatured alcohol, gasoline, kerosene, some liquid household cleaners, some spot removers, turpentine, waxes, and wax removers.
- Do not dry items containing foam rubber (may be labeled latex foam) or similarly textured rubber-like materials on a heat setting. Heated foam rubber materials can, under certain circumstances, produce fire by spontaneous combustion.

## Basic Precautions



### WARNING

#### IMPORTANT SAFETY INSTRUCTIONS

- 1 Read all instructions before using the appliance.
- 2 Use this appliance only for its intended purpose as described in this *User Guide*.
- 3 Before use, your dryer must be properly installed as described in this guide.
- 4 Always follow the fabric care instructions supplied by the garment manufacturer.
- 5 Do not dry articles that have been previously cleaned in, washed in, soaked in, or spotted with gasoline, dry-cleaning solvents, or other flammable or explosive substances as they give off vapors that could ignite or explode.
- 6 Do not use your dryer to dry clothes which have traces of any flammable substance, such as vegetable oil, cooking oil, machine oil, flammable chemicals, thinner, etc., or anything containing wax or chemicals, such as mops and cleaning clothes. Flammable substances may cause the fabric to catch fire by itself.
- 7 Do not store or use gasoline or other flammable vapors and liquids near this or any other appliance.
- 8 Do not allow children to play on or in the appliance. Close supervision of children is necessary when the appliance is used near children.
- 9 When discarding or storing your old clothes dryer, remove the door.
- 10 Do not reach into the appliance if the drum is moving.
- 11 Do not install or store this appliance where it will be exposed to the weather or freezing temperatures.
- 12 Do not tamper with the controls.
- 13 Do not repair or replace any part of the appliance or attempt any servicing unless it is specifically recommended in the user-maintenance instructions or in published user-repair instructions that you understand and have the skills to carry out.
- 14 Do not place items exposed to cooking oils in your dryer. Items contaminated with cooking oils may contribute to a chemical reaction that could cause a load to catch fire. To reduce the risk of fire due to contaminated loads, the final part of a tumble dryer cycle occurs without heat (cool down period). Avoid stopping a tumble dryer before the end of the drying cycle unless all items are quickly removed and spread out so that the heat is dissipated.
- 15 Packaging material can be dangerous for children. There is a risk of suffocation! Keep all packaging away from children.
- 16 Always check the inside of the dryer for foreign objects before loading laundry. Keep the door closed when not in use.
- 17 Do not use fabric softeners or products to eliminate static unless recommended by the manufacturer of the fabric softener or product.
- 18 Clean the lint screen before or after each load.
- 19 Keep the area around the exhaust opening and surrounding areas free from lint, dust, and dirt.
- 20 The interior of your dryer and the exhaust duct should be cleaned periodically by qualified service personnel.
- 21 This appliance must be properly grounded. Never plug the power cord into a receptacle that is not grounded adequately and in accordance with local and national codes. See Electric requirements on page 13 and Grounding requirements on page 14.
- 22 Make sure that pockets are free from small irregularly shaped hard objects and foreign material (such as coins, knives, and pins). These objects could damage your dryer.
- 23 Do not use heat to dry articles containing foam rubber or similarly textured rubber-like materials.
- 24 Gas leaks may occur in your system, resulting in a dangerous situation.
- 25 Gas leaks may not be detected by smell alone.
- 26 Gas suppliers recommend that you purchase and install a cUL approved gas detector.



### CAUTION

- 1 Do not sit on top of the dryer.
- 2 Because of continuing product improvements, we reserve the right to change specifications without notice. For complete details, see the installation instructions in this *User Guide* before selecting cabinets, making cutouts, or beginning installation.
- 3 Do not dry clothing with large buckles, buttons, or other heavy metal or solid things.
- 4 Install and use in accordance with the manufacturer's instructions.
- 5 Residual oil on clothing can ignite spontaneously. The potential for spontaneous combustion increases when items containing vegetable oil or cooking oil are exposed to heat. If this heat cannot escape, the items can become hot enough to catch fire. Piling, stacking, or storing these kinds of items may prevent heat from escaping and can create a fire hazard.
- 6 Take care that children's fingers are not caught in the door when closing it. This may result in injury.

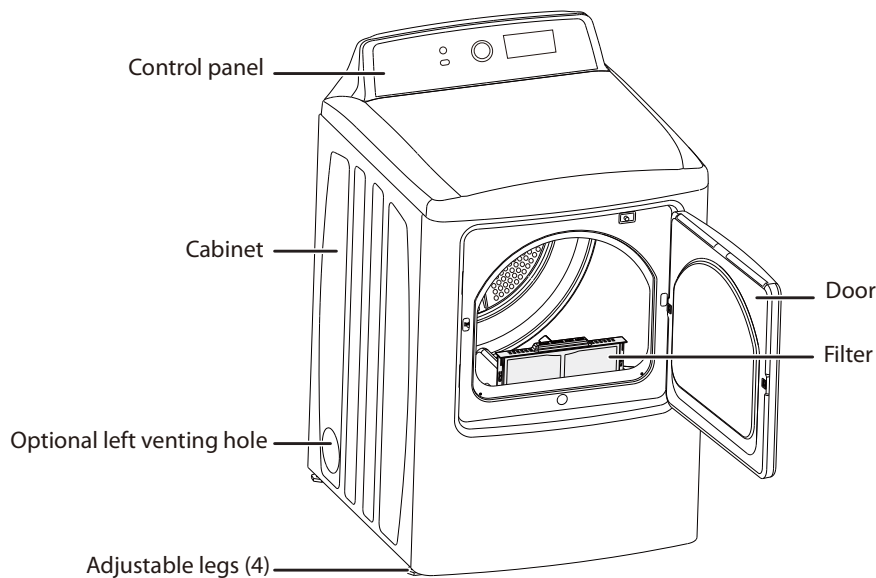
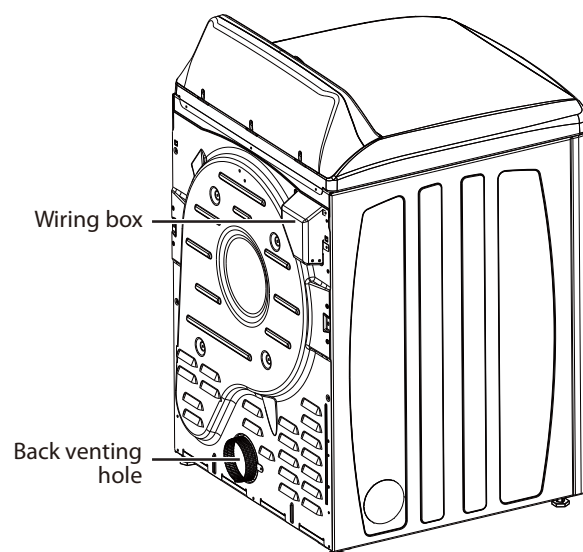


**Risk of Fire****WARNING**

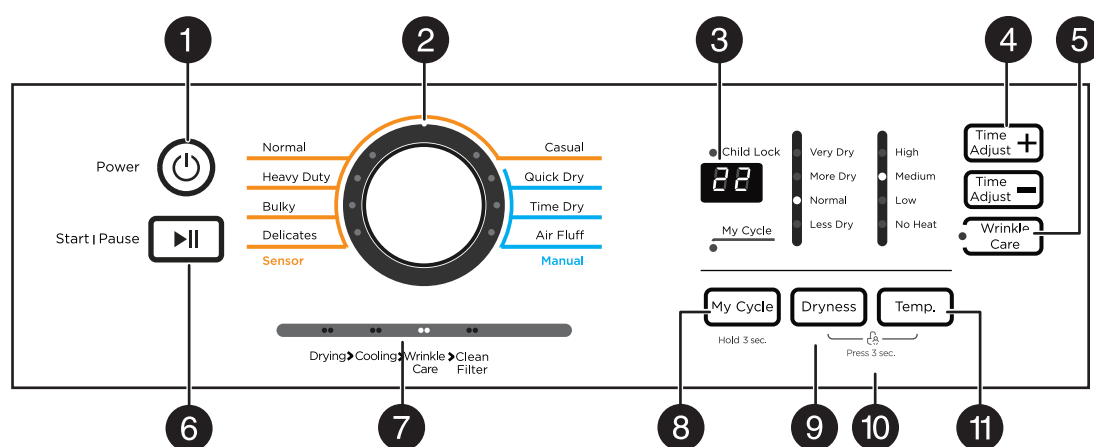
- 1 Clothes dryer installation must be performed by a qualified installer.
- 2 Install the clothes dryer according to the manufacturer's instructions and local codes.
- 3 Do not install a clothes dryer with flexible plastic venting materials.
- 4 If flexible metal (foil type) duct is installed, it must be of a specific type identified by the appliance manufacturer as suitable for use with clothes dryer. Flexible venting materials are known to collapse, be easily crushed, and trap lint. These conditions will obstruct with the clothes dryer's airflow and increase the risk of fire.
- 5 To reduce the risk of severe injury or death, follow all installation instructions.

**Features****Package contents**

- Electric Dryer
- User Guide

**Front components****Back components**

## Control panel



#	ITEM	DESCRIPTION
1	<b>Power</b> button	Press to turn your dryer on or off. If your dryer is on for more than 10 minutes without any buttons being pressed, it automatically turns off.
2	Cycle selector	Turn to select the cycle for the type of load. The cycle you select determines the heat control for the cycle. The <b>Normal, Delicates, Casual, Towels, Sanitize, Heavy Duty, and Bulky</b> cycles are Sensor dry cycles. The <b>Quick Dry, Time Dry, and Air Fluff</b> cycles are Manual dry cycles. For more information, see <a href="#">Dryer options and settings</a> on page 26.
3	Digital display	Displays the time while you are pressing the <b>-Time Adjust +</b> button to set the time for the <b>Quick Dry, Time Dry, or Air Fluff</b> cycle. Displays the remaining cycle time while your dryer is running.
4	<b>-Time Adjust +</b> button	Press repeatedly to select the drying time. This button only works for the <b>Quick Dry, Time Dry, and Air Fluff</b> cycles.
5	<b>Wrinkle Care</b> button	Press once to add the <b>Wrinkle Care</b> step to the drying cycle. Press again to cancel. Wrinkle Care provides approximately 90 minutes of intermittent tumbling in unheated air at the end of the cycle to reduce wrinkling. The load is already dry and can be removed at any time during the Wrinkle Care cycle.
6	<b>Start/Pause</b> button	Press to start or pause the drying cycle. When you pause the cycle, you can add items to the dryer, but you cannot change any settings.
7	Cycle status indicators	Indicate what stage in the drying cycle your dryer is in. For example, when your dryer is in the cooling down stage of the cycle, the <b>Cooling</b> indicator lights. When the cycle is complete, the <b>Clean Filter</b> indicator flashes to remind you to clean the filter.
8	<b>My Cycle</b> button	Press and hold for three seconds to save your favorite drying cycle. Press once to load your favorite cycle setting.
9	<b>Dry Level</b> button	Press to select the dryness level. Different dryness levels result in different drying times. For clothes to be ironed manually, select a lower dryness level. For more information, see <a href="#">Dryer options and settings</a> on page 26.
10	Child Lock	Press and hold the <b>Dry Level</b> and <b>Temp</b> buttons at the same time for three seconds to turn on the child lock function. Press and hold for three seconds to turn off the function. When the child lock function is turned on, the only button that works is the <b>Power</b> button.
11	<b>Temp</b> button	Press to select the drying temperature. You can select <b>High, Medium, Low, Ultra Low, or No Heat</b> . Temperature changes are only available on Quick Dry and Time Dry settings. For more information, see <a href="#">Dryer options and settings</a> on page 26.

# Unpacking your dryer

**Warning**

- Packing materials can be dangerous to children. Keep all packing materials (such as plastic bags and polystyrene) well out of the reach of children.
- Do not operate your dryer on the foam base cushion. Doing so will result in serious vibration, which could cause equipment damage or result in physical injury.

- Unpack your dryer and inspect it for shipping damage. Make sure that you have received all the items shown in [Package contents](#) on page 5.
- To prevent personal injury or strain, wear protective gloves and use a furniture mover whenever lifting or carrying your dryer.

# Choosing a location

**Important to installer****Read the following instructions carefully before installing the dryer.**

These instructions should be kept for future reference.

- The dryer is not suitable for installation in a mobile home.
- Remove the door from all discarded appliances to avoid the danger of a child being trapped and suffocating.
- After unplugging a discarded appliance, cut off the power cord.
- Provisions for introduction of outside air into the dryer room. The free area of any opening for the introduction of outside air shall not be less than twice the area of the dryer exhaust outlet.

**Warning**

Your dryer must be exhausted to the outside to reduce the risk of fire when installed any place inside the house.

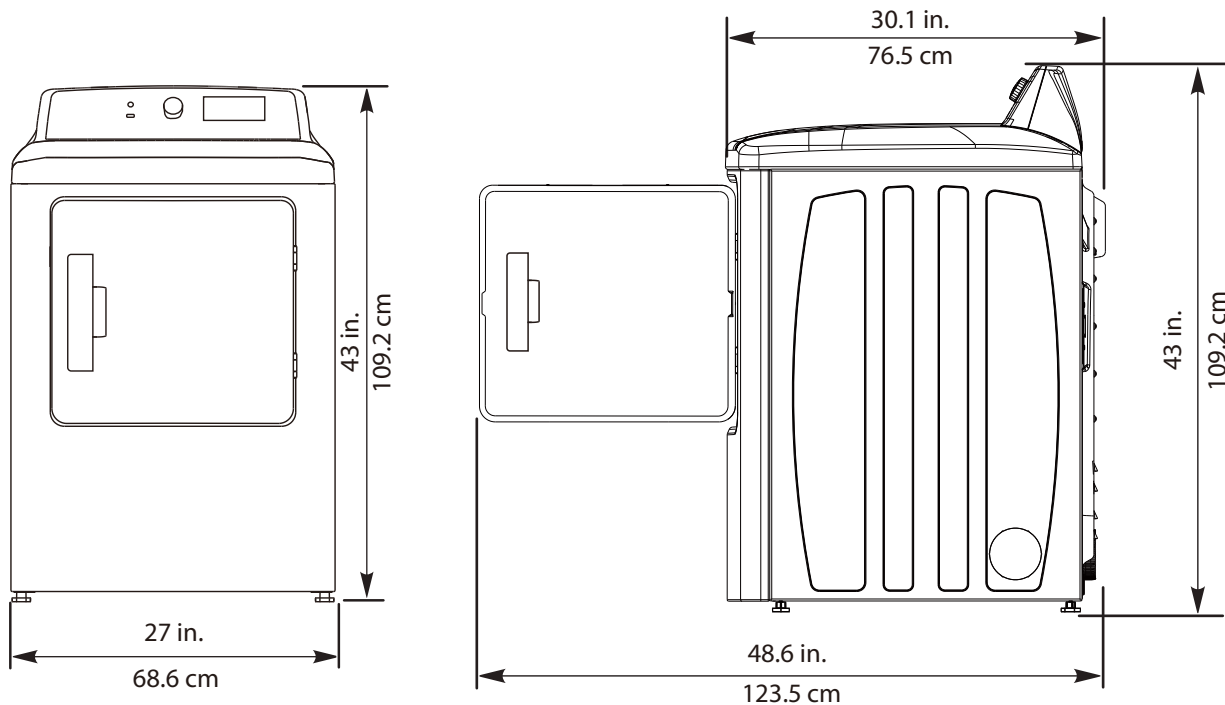
You should locate your dryer where there is enough space at the front for loading the dryer and enough space behind for the exhaust system.

Your dryer is factory-ready for the rear exhaust option.

Make sure that the room you install your dryer in has enough fresh air and that there are no air-flow obstructions.

# INSTALLATION INSTRUCTIONS

Do not install or store your dryer in an area where it will be exposed to water or weather. Keep the dryer area clear of combustible materials, gasoline, and other flammable vapors and liquids. Your dryer produces combustible lint. Keep the area around the dryer lint-free.



## Installing in an alcove, closet, or wall insert/recessed

### Warning

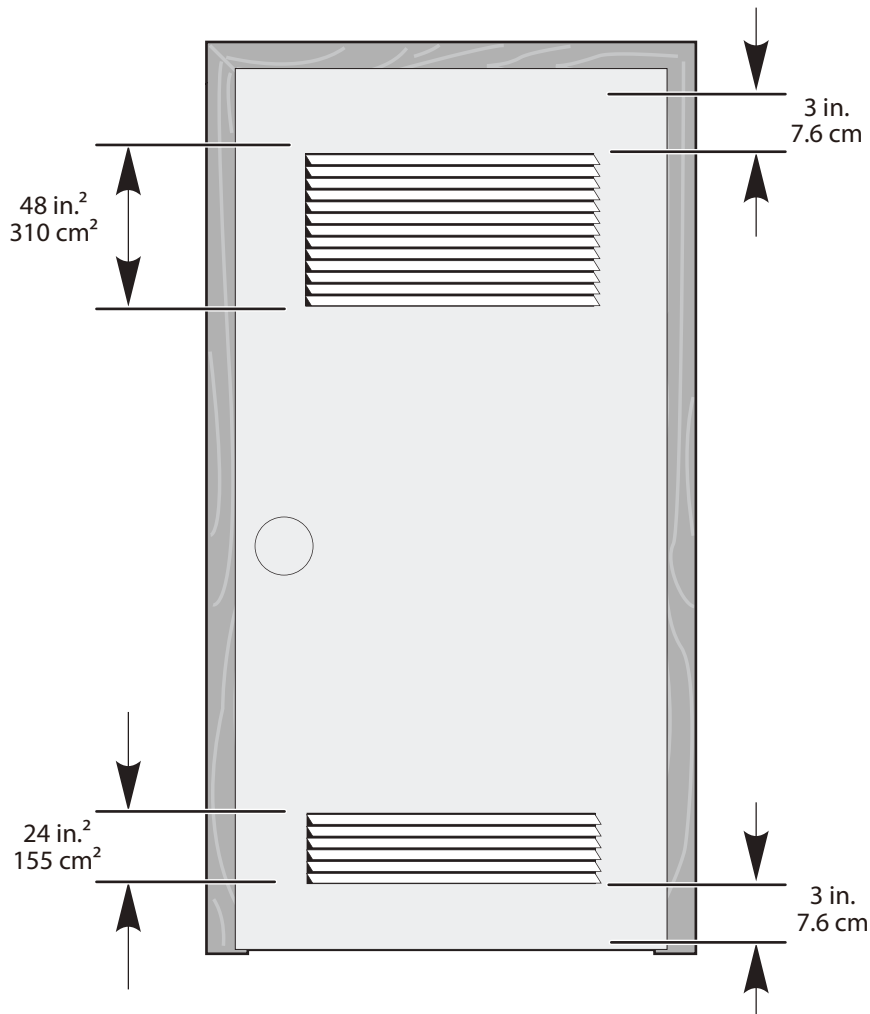
- You must exhaust your dryer to the outside to reduce the risk of fire when installed any place inside the house.
- Do NOT install another fuel-burning appliance in the same closet as your dryer.

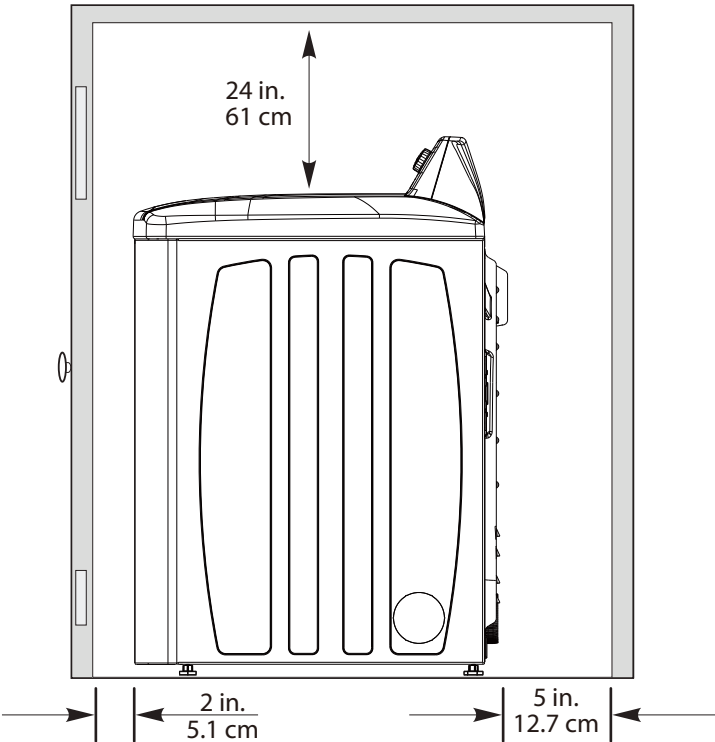
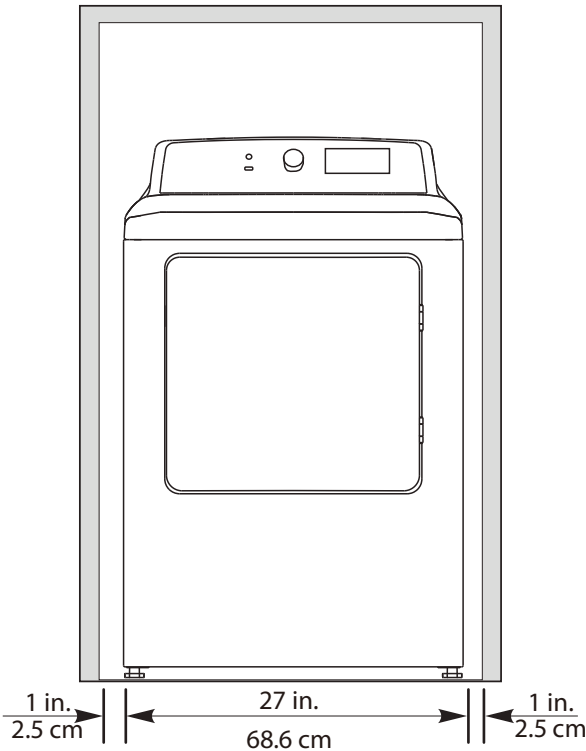
For information about how to select and install exhaust ducts, see [Exhausting requirements](#) on page 11.

If you install your dryer in an alcove, closet, or wall insert/recessed, the front of the closet must have two unobstructed air openings for a combined minimum total area of 72 sq.in. (465 sq.cm) with a minimum clearance of 3 in. (7.6 cm) at the top and bottom. A slatted door with equivalent space clearance is acceptable.

Minimum clearances between your dryer and adjacent walls or other surfaces are:

- **Either side:** 1 in. (2.5 cm)
- **Rear:** 5 in. (12.7 cm)
- **Top:** 24 in. (61 cm)
- **Front:** 2 in. (5.1 cm)





## Exhausting requirements

### Warning

Do not exhaust your dryer into a chimney, a wall, a ceiling, an attic, a crawl space, or a concealed space in a building.  
Your dryer must be exhausted to the outside to reduce the risk of fire when installed in an alcove or closet.  
Exhausting the dryer to the outside prevents large amounts of lint and moisture from being blown into the room.

### Warning

#### NEVER USE A PLASTIC OR NON-METAL FLEXIBLE DUCT

- If your existing duct work is plastic, non-metal, or combustible, replace it with metal.
- Use only a metal exhaust duct that is non-flammable to ensure containment of the exhaust air heat and lint.

- Do not assemble the duct with screws or other fasteners that extend into the duct or that catch lint.
- The exhaust duct should be 4 in. (10.2 cm) in diameter.
- The total length of flexible metal duct should not exceed 7.8 ft. (2.4 m).
- Use only those foil-type flexible ducts, if any, specifically identified for use with your dryer by the manufacturer.
- In the U.S., make sure that the ducts comply with the outline for Clothes Dryer Transition Ducts, Subject 2158A. See [Ducting requirements](#) on page 11 for the maximum duct length and number of bends.

## Ducting requirements

### Warning

You are responsible for correctly installing the exhaust system.

- Use a 4-inch (10.2 cm) diameter rigid aluminum or rigid galvanized steel duct. Do not use a smaller duct.
- Ducts larger than 4 inches (10.2 cm) in diameter can result in increased accumulation of lint.
- Lint should be removed regularly.
- If you must use a flexible metal duct, use the type with a stiff sheet metal wall. Do not use a flexible duct with a thin foil wall. A serious blockage can result if the flexible metal duct is bent too sharply.
- Never install any type of flexible duct in walls, ceilings, or other concealed spaces.
- Keep the exhaust duct as straight and short as possible.
- Secure joints with duct tape. Do not use screws.
- Plastic, flexible ducts can kink, sag, be punctured, reduce airflow, extend drying times, and affect your dryer's operation.
- Exhaust systems longer than recommended can extend drying times, affect dryer operations, and collect lint.
- The exhaust duct should end with an exhaust hood that has a swing-out damper to prevent back drafts and entry of wildlife. Never use an exhaust hood with a magnetic damper.
- The hood should have at least 12 inches (30.5 cm) of clearance between the bottom of the hood and the ground or other obstruction. The hood opening should point down.
- Never install a screen over the exhaust outlet.
- To avoid lint buildup, do not exhaust the dryer directly into a window well.
- Do not exhaust under a house or porch.
- If the exhaust duct must run through an unheated area, the duct should be insulated and slope slightly down towards the exhaust hood to reduce condensation and lint buildup.
- Inspect and clean the interior of the exhaust system at least once a year.
- Unplug the power cord before cleaning.
- Check frequently to make sure that the exhaust hood damper opens and closes freely.
- Check once per month, and clean at least once per year. **Note:** If your clothes are not getting dry, check the ducting for obstructions.
- Do not exhaust the dryer into a wall, ceiling, crawl space, or concealed space of a building, gas vent, or any other common duct or chimney. This could create a fire hazard from the lint expelled by the dryer.
- Do not use non-metallic flexible ducting.
- To reduce the risk of fire, your dryer **MUST BE EXHAUSTED OUTDOORS.**

## **Measuring and verifying system back pressure**

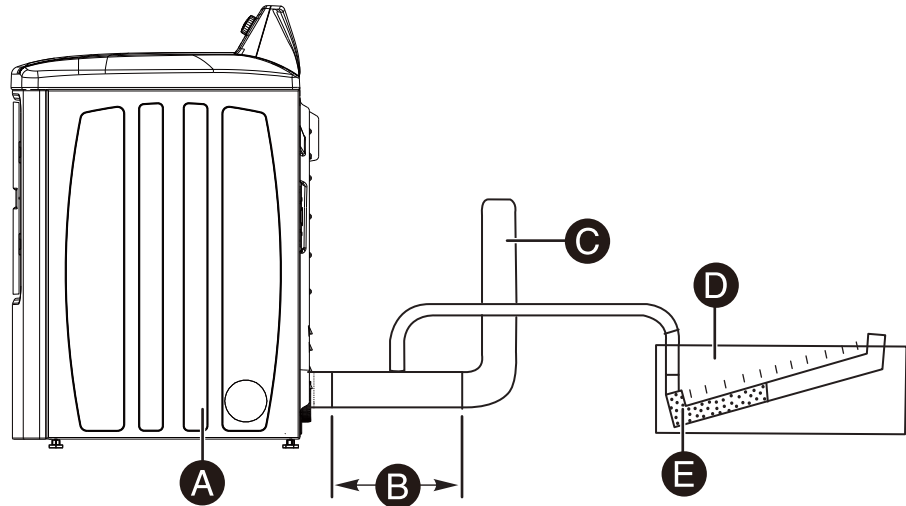
**A** Dryer

**B** 10 in. (25.4 cm) minimum of straight pipe-measure back pressure from the center

**C** To vent system

**D** Location on back pressure measurement

**E** Inclined manometer



### **To measure the system back pressure:**

- 1** Make sure that your dryer is empty and working.
- 2** Place the manometer at the point where the exhaust duct connects to the dryer.
- 3** Make sure that the lint filter is clean.
- 4** Set your dryer to the no-heat setting, then turn on your dryer.

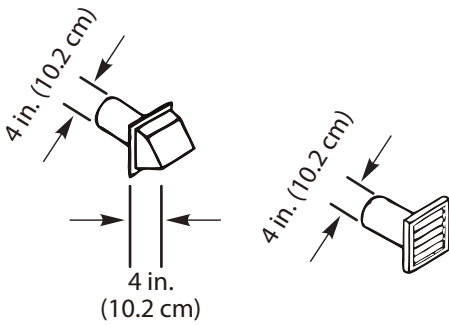
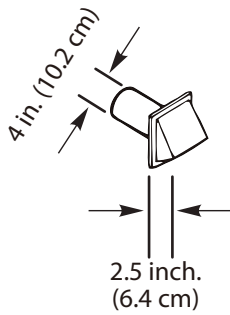


## Exhaust hood types

If you install your dryer into an existing exhaust system you must make sure that:

- The exhaust system meets all local, state, and national codes.
- You do not use a flexible plastic duct.
- You inspect and clean all lint buildup from inside the existing duct.
- The duct is not dented or crushed.
- The exhaust hood damper opens and closes freely.

For best results, the static pressure in any exhaust system should be between .3 to .8 inches of water column, and it cannot be less than 0 under any circumstances with an installed duct with a four inch diameter.

WEATHER HOOD TYPES	
Recommended	Use only for short-run installation
	

# of 90° elbows	Rigid Metallic	Rigid Metallic
0	90 ft. (27.4 m)	60 ft. (18.3 m)
1	60 ft. (18.3 m)	45 ft. (13.7 m)
2	45 ft. (13.7 m)	35 ft. (10.7 m)
3	35 ft. (10.7 m)	25 ft. (7.6 m)

## Electric requirements

### Note

For products sold in Canada, your dryer has a power cord with an equipment-grounding conductor and a grounding plug.

### Warning

- The power cord plug must be plugged into an appropriate outlet that is properly installed and grounded in accordance with all local codes and ordinances.
- Do not modify the plug provided with your dryer. If the plug does not fit the outlet, have a proper outlet installed by a qualified electrician.
- If you permanently wire your dryer instead of using a power cord, your dryer must be connected to a permanently grounded metal wiring system, or an equipment grounding conductor must be run with the circuit conductors and connected to the equipment grounding terminal or lead on the dryer.

- You need a 120/240 volt, 60Hz AC approved electrical service fused through a 30-ampere fuse or circuit breaker on both sides of the line.
- All Canadian models are shipped with the power cord attached. The power cord should be plugged into a 30-ampere receptacle.
- In Canada, you may not convert a dryer to 208 volts.

## Grounding requirements

Your dryer must be grounded. If a malfunction or breakdown occurs, the grounding reduces the risk of electrical shock by providing a path of least resistance for the electrical current. This appliance is equipped with a cord having an equipment-grounding conductor and a grounding plug. The plug must be plugged into an appropriate outlet that is properly installed and grounded in accordance with all local codes and ordinances.

### Warning

The wiring diagram is located on the back board of your dryer.

- Incorrectly connecting your dryer's grounding conductor can result in electric shock. Check with a qualified electrician or serviceman if you are in doubt as to whether your dryer is correctly grounded.
- Do not modify the plug provided with your dryer. If the plug does not fit the outlet, have the correct type outlet installed by a qualified electrician.
- To prevent unnecessary risk of fire, electrical shock, or personal injury, all wiring and grounding must be done in accordance with local codes, or in the absence of local codes, with the National Electrical Code, ANSI/NFPA No. 70 - Latest Revision (for the U.S.) or the Canadian Electrical Code CSA C22.1-Latest Revisions and local codes and ordinances (for Canada).
- You are responsible for providing adequate electrical services for your dryer.

All gas installations must be done in accordance with the National Fuel Code

- ANSI/Z2231 - Latest Revision (for the U.S.) or CAN/CGA - B149 Installation Codes - Latest Revision (for Canada) and local codes and ordinances.
- Gas dryers installed in residential garages must be raised 18" (46 cm) above the floor.
- Additionally, a 1/8" (0.3 cm) N.P.T. (National Pipe Thread) plugged tapping, accessible for test gauge connection, must be installed immediately upstream of your dryer's gas supply connection.
- The dryer must be disconnected from the gas supply piping system during pressure testing at pressures greater than 1/2 psi (3.5 kPa).
- On dryers not equipped with a gas union in the dryer manifold, the instructions shall specify that a listed connector in compliance with the Standard for Connectors for Gas Appliances, ANSI Z21.24 - CSA 6.10 be used to connect the dryer to the supply piping.

Certain internal parts are intentionally not grounded and may present a risk of electric shock only during servicing. Service Personnel - Do not contact the following parts while the appliance is energized: Control Board and Temperature-Regulating Thermistor (Located on Blower Housing).

# Installing your dryer

**Important**

We recommend that you use a qualified installer to install your dryer.

**Tools you will need**

Pliers

Phillips  
screwdriver

Level

Flat-head  
screwdriverAdjustable  
wrench that  
opens to 1"  
(25 mm)

Duct tape



Cutting knife



Pipe wrench

**Materials you will need**

- 3 or 4-prong (dependent on owners house) Electric Kit.
- Exhaust kit

**Before you start**

Before you start installing your dryer, make sure that:

- The location you selected has a grounded electrical outlet. See [Grounding requirements](#) on page 14.
- Your exhaust ducting (not included) is made of rigid metal or flexible stiff-walled metal. See [Ducting requirements](#) on page 11.

**Step-by-Step instructions****Step 1: Make sure that the floor is a solid, level surface**

- Use a level to make sure that the floor where you are installing your dryer is level. This helps minimize vibration, noise, and unwanted movement.

**Step 2: Move your dryer to the location you selected**

- Move your dryer to the location you selected, but do not push your dryer all the way back into the location. You need to connect the power cord and ducting before you move your dryer into its final position.

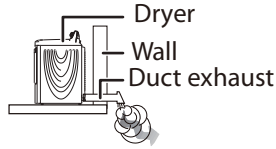
## Step 3: Connect the exhaust ducting

### Important

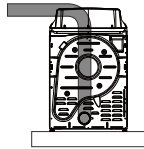
Before you connect the exhaust ducting, review ducting requirements in [Ducting requirements](#) on page 11.

### Warning

- Make sure that your dryer is installed properly so it exhausts air easily.



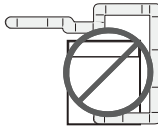
- Keep ducts as straight as possible.



- DO NOT restrict your dryer with a poor exhaust system.



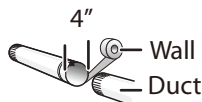
- DO NOT use unnecessarily long ducts that have many elbows.



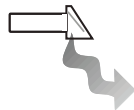
- DO NOT use plastic flexible exhaust material.



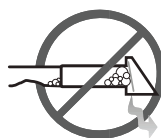
- Use a 4 in. (10.2 cm) diameter rigid metal duct. Tape all joints, including at the dryer.



- DO NOT use sheet metal screws that can accumulate lint when assembling the ducting. Joints should be taped.
- DO NOT let the duct tape cover the ventilation slots on the back of your dryer.
- Clean all old ducts before installing your new dryer. Be sure the vent flap opens and closes freely. Inspect and clean the exhaust system annually.



- DO NOT use a plastic, thin foil, or non-metal flexible duct.
- DO NOT use dented or clogged ducts and vent.



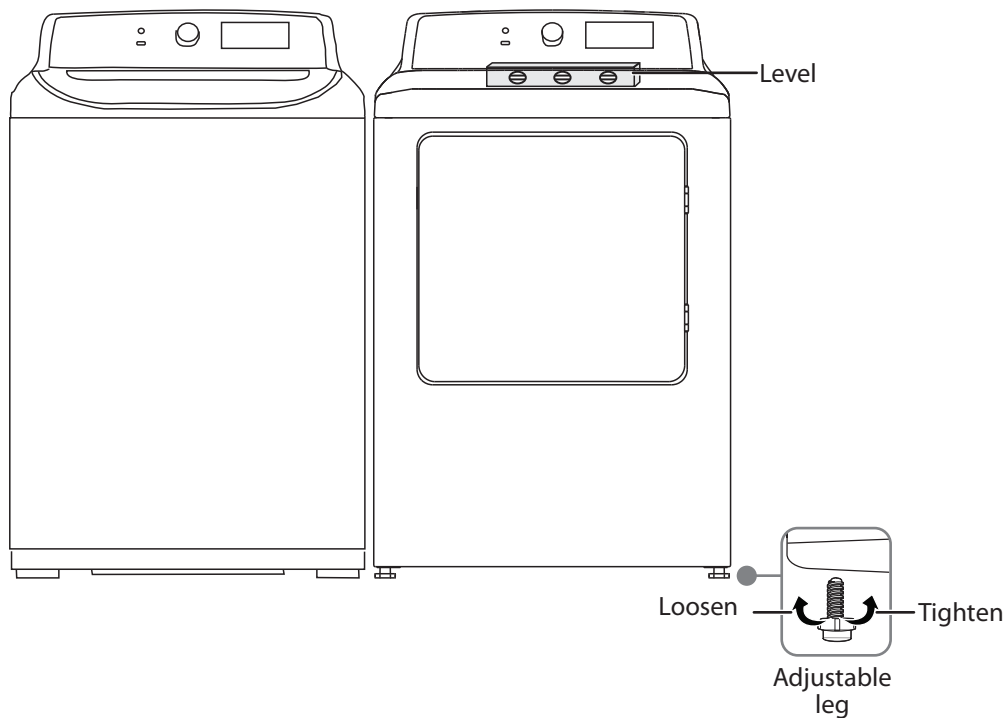
- 1 Make sure that the exhaust hood flapper or louvers move freely.

If you do not have an exhaust hood installed, see [Exhaust hood types](#) on page 13 for information about recommended hood types. **We recommend that you have a professional install the exhaust hood.**

- 2 Connect one end of the exhaust ducting to your dryer, then use duct tape to secure the ducting to your dryer. The crimped ends of the duct sections must point away from your dryer. Use a 4 in. (10.2 cm) diameter rigid metal duct.
- 3 Connect the other end of the ducting to the exhaust hood. Tape all joints, including at the dryer.

**Step 4: Level your dryer**

- If your dryer is not level, carefully tilt your dryer just enough to adjust the leveling feet on the bottom of your dryer. Extend the feet only as much as is necessary. If the feet are extended too much, your dryer may vibrate.



**Step 5: Plug in your dryer**

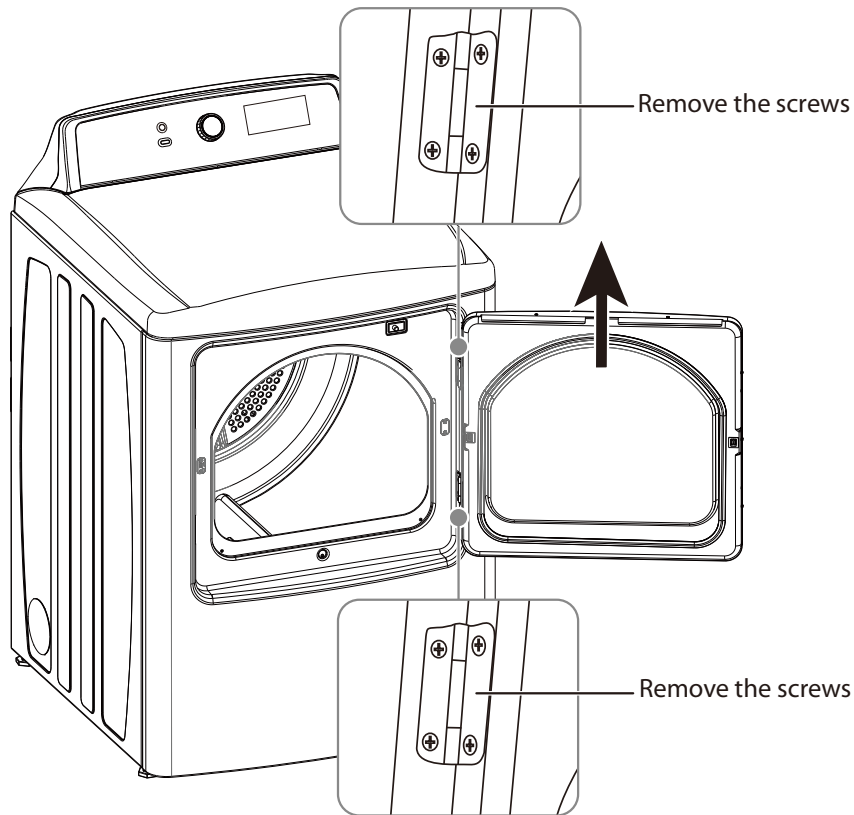
Make sure that all exhaust and electrical connections are complete, then plug your dryer into the electrical outlet.

**Step 6: Check the final installation**

- Before you use your dryer, make sure that:
  - Your dryer is plugged into an electrical outlet and is properly grounded.
  - You used rigid or stiff-walled flexible metal vent material. You did not use a plastic flexible ducting.
  - The exhaust duct work is hooked up and the joints are taped.
  - The dryer is level and sits firmly on the floor.
- Start your dryer to confirm that it runs, heats, and shuts off.

## Reversing the dryer door

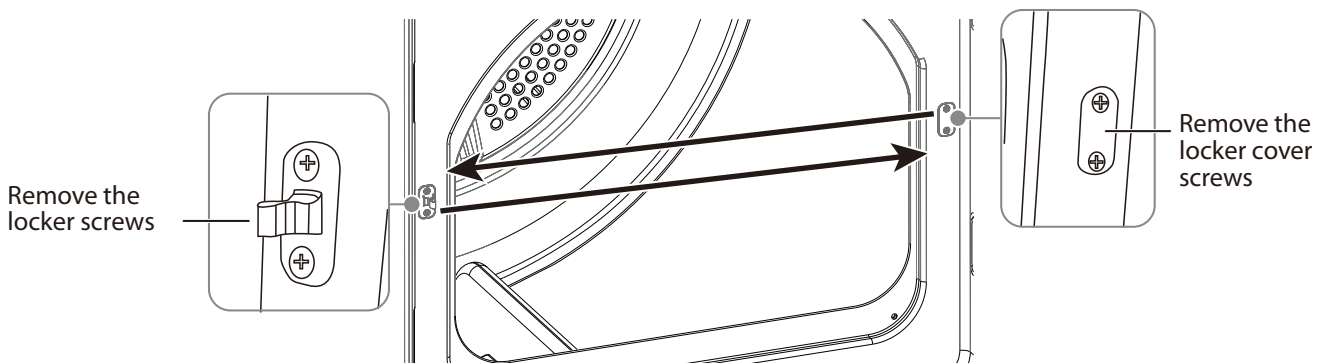
- 1 Make sure that the power cord is unplugged.
- 2 While supporting the door, remove the four hinge screws from the door, then lift the door to remove it and set the door aside.



### Caution

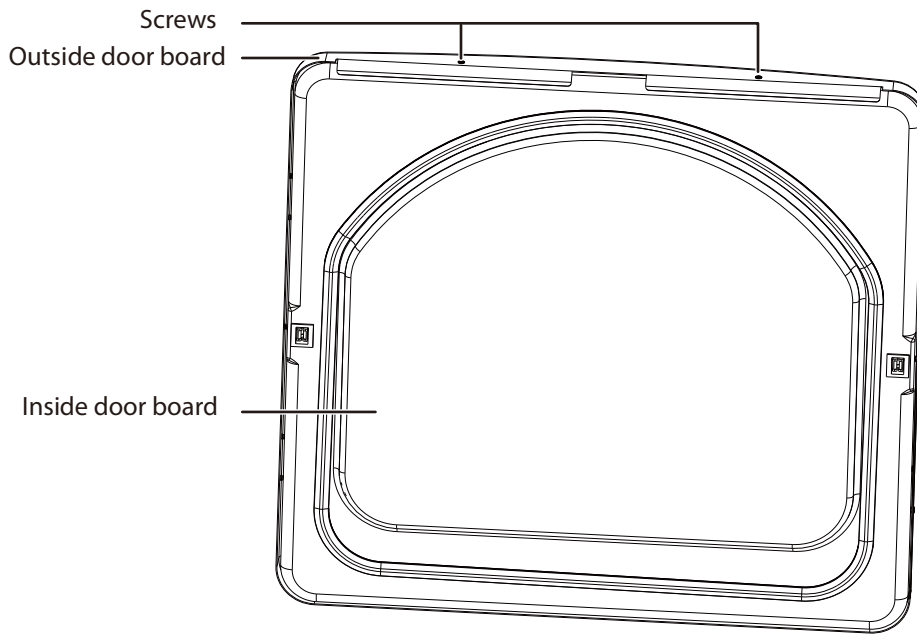
Be careful not to drop the door when removing the screws.

- 3 Remove the screws for the locker cover on the right side of the dryer and the screws for the locker cover on the left side of the dryer.



- 4 Install the locker onto the right side of the dryer with the screws you just removed, then install the locker cover on the left side of the dryer.
- 5 Remove the screws around the door.

- 6** Pull the inside door board from the outside door board.



- 7** Rotate the outside door board 180°, then reassemble it with the inside door board with the screws you removed previously.
- 8** Install the hinges onto the left side of the dryer.
- 9** Align the hinges on the door with the hinge screw holes on the front of your dryer, then secure the door with the four screws you previously removed.

# Using your dryer

## Drying a load of clothes

### Step 1: Turn on your dryer

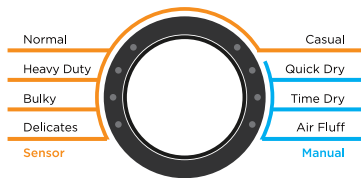
- Press the **Power** button to turn on your dryer.

### Step 2: Load your dryer

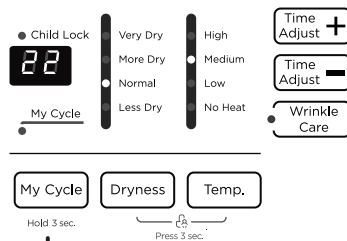
- Place only one wash load in your dryer at a time.
- Heavy and light weight fabrics take different amounts of time to dry. If you mix heavy and light weight fabrics in a load, lightweight fabrics may be dry at the end of the cycle while heavy fabrics may still be damp.
- If you only need to dry one or two items, you can improve the tumbling action and drying efficiency by adding a couple of similar items to the load.
- Overloading restricts tumbling action which results in uneven drying and excessive wrinkling of some fabrics.

### Step 3: Select the dryer cycle and options

- 1 Turn the Cycle Selector to select a drying cycle. For more information, see [Dryer options and settings](#) on page 26.



- 2 **Optional:** Use the control panel buttons (like **Wrinkle Care**) to customize the drying cycle. For descriptions of buttons, see [Control panel](#) on page 6. For information about which buttons are available for each cycle type, see [Dryer options and settings](#) on page 26.
- 3 **Optional:** After you select a drying cycle and customize the cycle, press and hold the **My Cycle** button for three seconds to save your settings. The light next to the knob flashes and your dryer beeps three times to confirm that your settings are saved.



Press for three seconds

When you want to use your saved cycle and settings again, press the **My Cycle** button.

### Step 4: Start your dryer

- 1 Press the **Start/Pause** button. The **Drying** indicator lights.





- 2 If you need to pause the cycle (for example to add or remove items or adjust the load), press the **▶||/Start |Pause** button, then open the door. Your dryer stops tumbling. When you are ready to start drying again, close the door, then press the **▶||/Start |Pause** button.

**Note**

During the initial use of your new electric dryer, you may notice an odor that has an oily or burning smell. This odor is considered normal and may be emitted as the natural oils deposited from human hands during product assembly or dust accumulated on various mechanical parts burns off during initial operation.

## Unloading your dryer

- 1 When the drying cycle is over, your dryer beeps six times and the **Clean Filter** indicator lights.



- 2 Open the door and remove the items.

**Note**

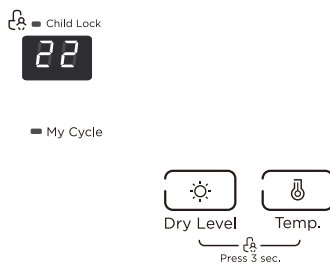
You should clean the lint filter after every load to avoid lint buildup and to make sure that your dryer is running efficiently. See [Cleaning the lint filter](#) on page 25.

## Setting the child lock

Your dryer has a child lock feature to prevent children from playing with your dryer. When you turn on the child lock, the only button that works is **⏻/Power**.

- You can turn on your dryer, set this function, then turn it off.
- When you do so, even if the unit is powered on, you still cannot start it before the Child Lock function is deactivated.
- This function is cancelled automatically if your unit is out of power, such as when you unplug it or the power turns off.

- 1 Press and hold both the **Dry Level** and **Temp.** buttons for three seconds. The blue child lock light turns on.



- 2 To turn off the child lock, press and hold both the **Dry Level** and **Temp.** buttons for three seconds.

## Cleaning the lint filter

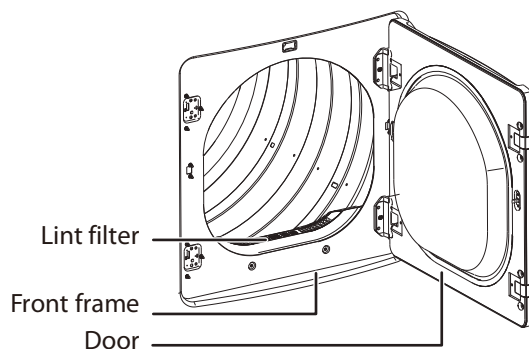
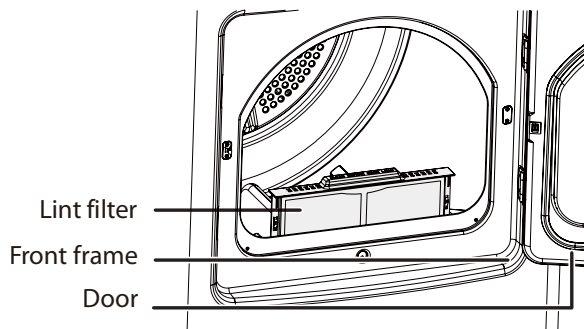
### Warning

Do not operate your dryer without the lint filter in place.




### Note









- You should clean the lint filter after every load to shorten the drying time and to make sure that your dryer is running efficiently.
- If the lint is difficult to wipe away, you can gently wash the filter in mild, soapy water. Make sure that you rinse all the soap off the filter and that the filter is dry before you put it back into your dryer.

- Gently pull the lint filter out of the slot at the bottom of the drum. Remove the accumulated lint, then insert the filter back into the slot.



## Dryer options and settings

- Settings in **bold** are initial settings. The • (dot) indicates optional functions you can select.
- For best results, follow the wet load size recommendations noted for each cycle.
  -  **Small load:** Fill the dryer drum with three to four items, not more than 1/4 full.
  -  **Medium load:** Fill the dryer drum up to about 1/2 full.
  -  **Large load:** Fill the dryer drum up to about 3/4 full. Do not overload. Items need to tumble freely.

Cycle	Fabric type	Temp	Dry Level	Wrinkle Care	My Cycle	Time Adjust	Default time	*Default time	Maximum Amount
Normal	• Cotton • Underwear • Linen	High	Very Dry <b>More Dry</b> Normal Less Dry	●	●		50 min.	62 min.	
Delicates	• Sensitive items	Low	Very Dry More Dry Normal <b>Less Dry</b>	●	●		34 min.	28 min.	
Casual	• Wrinkle-free cottons • Synthetic fabrics • Knits	Medium	Very Dry More Dry <b>Normal</b> Less Dry	●	●		27 min.	31 min.	
Heavy Duty	• Jeans • Corduroys • Work clothes	High	Very Dry <b>More Dry</b> Normal Less Dry	●	●		62 min.	68 min.	
Bulky	• Blankets • Sheets • Comforters	Medium	Very Dry <b>More Dry</b> Normal Less Dry	●	●		62 min.	50 min.	
Quick Dry		<b>High</b> Medium Low		●	●	●	30 min.	30 min.	
Time Dry		High <b>Medium</b> Low		●	●	●	40 min.	40 min.	
Air Fluff		No Heat		●	●	●	20 min.	20 min.	

## Special laundry tips

ITEMS	DRYING GUIDE
Bedspreads and comforters	<ul style="list-style-type: none"> <li>• Follow the care label instructions or dry using the <b>Bulky</b> cycle.</li> <li>• Make sure that the item is thoroughly dry before using or storing.</li> <li>• During the drying cycle, you may need to reposition the item to make sure that it is completely dried.</li> </ul>
Blankets	<ul style="list-style-type: none"> <li>• Use the <b>Normal</b> cycle and dry only one blanket at a time for best tumbling action.</li> <li>• Make sure that the item is thoroughly dry before using or storing.</li> <li>• During the drying cycle, you may need to reposition the item to make sure that it is completely dried.</li> </ul>
Curtains and draperies	<ul style="list-style-type: none"> <li>• Use the <b>Casual</b> cycle, <b>Medium</b> temperature setting, and <b>Less</b> dryness level to help minimize wrinkling.</li> <li>• Dry these in small loads for best results and remove as soon as possible.</li> </ul>
Cloth diapers	<ul style="list-style-type: none"> <li>• Use the <b>Normal</b> cycle on the <b>High</b> temperature setting for soft fluffy diapers.</li> </ul>
Down filled items (like jackets, sleeping bags, or comforters)	<ul style="list-style-type: none"> <li>• Use the <b>Normal</b> cycle.</li> <li>• Add a couple of dry towels to absorb moisture and shorten drying time.</li> </ul>
Foam rubber (like rug backs, stuffed toys, or shoulder pads,)	<ul style="list-style-type: none"> <li>• <b>DO NOT</b> dry on a temperature setting. Use the <b>Air Fluff</b> cycle (no heat).</li> <li>• <b>WARNING:</b> Drying a rubber item with heat may damage it or create a fire hazard.</li> </ul>
Pillows	<ul style="list-style-type: none"> <li>• Use the <b>Normal</b> cycle.</li> <li>• Add a couple of dry towels and a pair of clean sneakers to help the tumbling action and to fluff the item. <b>DO NOT</b> dry kapok or foam pillows in the dryer.</li> </ul>
Plastics (like shower curtains or outdoor furniture covers)	<ul style="list-style-type: none"> <li>• Use the <b>Air Fluff</b> or <b>Time Dry</b> cycle on the <b>Low</b> or <b>Ultra Low</b> temperature setting depending on the care label instructions.</li> </ul>

### Caution

Items NOT to dry:

- Fiberglass items (curtains, draperies, etc.)
- Woolens, unless recommended on the label.
- Items spotted or soaked with vegetable or cooking oils.

## Maintaining your dryer

### Cleaning the exterior

- Clean with a soft, damp cloth. Do not use abrasive substances.
- Protect the surface from sharp objects.
- Do not place any heavy or sharp objects or a detergent box on the dryer. Keep them in a separate storage area. These items may scratch or damage the top cover of the dryer.
- Because the entire dryer has a high-gloss finish, the surface can be scratched or damaged. Avoid scratching or damaging the surface when using the dryer.

### Cleaning the drum

- Clean with a damp cloth dampened with a mild, non-abrasive cleaner suitable for stainless steel and anodized surfaces.
- Remove the cleaner residue and dry with a clean cloth.

### Cleaning the control panel

- Clean with a soft, damp cloth. Do not use abrasive substances.
- Do not spray cleaners directly on the panel. The control panel finish may be damaged by some laundry pre-treatment soil and stain remover products. Apply such products away from your dryer and wipe up any spills or over-spray immediately.

**Cleaning and inspecting the exhaust system**

Inspect and clean the exhaust yearly to maintain optimum performance.

- 1 Disconnect the exhaust duct from the dryer and from the exhaust hood (at the exhaust outlet) outside of the building.
- 2 Check the interior of the duct and remove any lint accumulation.
- 3 Make sure that lint is removed from the exhaust hood. Lint may collect in the exhaust hood so that the flappers or louvers will not open or close completely.
- 4 After cleaning the exhaust hood, check that the flapper or louvers move freely.
- 5 Reassemble the exhaust duct and hood, making sure that the joints are secure and sealed.
- 6 Operate your dryer and make sure that the exhaust air is not obstructed in the vent and that there are no leaks in the system.

**Warning**  
 Certain internal parts are intentionally not grounded and may present a risk of electric shock only during servicing. Service Personnel - Do not contact the following parts while the appliance is energized: Control Board and Temperature - Regulating Thermistor (Located on Blower Housing).

**Note**  
 Check and clean the outside exhaust hood frequently to ensure a proper air flow.

**Troubleshooting**

**Caution**  
 Do not try to repair your dryer yourself. Doing so invalidates the warranty.

PROBLEM	SOLUTION
Dryer does not start.	<ul style="list-style-type: none"> <li>• Confirm that the Child Lock is not on.</li> <li>• Make sure the dryer door is closed completely.</li> <li>• If you opened the door during the drying cycle, press the ►/Start/Pause button again.</li> <li>• Make sure that the power cord is plugged into a working electrical outlet.</li> <li>• Check the circuit breaker and fuses for your dryer’s electrical connection.</li> </ul>
Dryer does not heat or does not dry.	<ul style="list-style-type: none"> <li>• Your dryer may have moved into the cool-down process of the cycle. This is normal.</li> <li>• Select a cycle other than <b>Air Fluff</b> and a temperature setting that is not “no heat.”</li> <li>• Do not overload your dryer. Depending on the size of your washer, one wash load should equal one dry load.</li> <li>• Dry heavy items and lightweight items separately.</li> <li>• If you are drying large, bulky items, like blankets or comforters, try repositioning the load to ensure even drying.</li> <li>• The load may be too small to tumble correctly. Add a few towels.</li> <li>• Clean the lint filter and exhaust duct.</li> <li>• Check the circuit breaker and fuses for your dryer’s electrical connection.</li> <li>• Make sure that the outside exhaust hood opens and closes freely.</li> <li>• Check the exhaust system for lint buildup. Ducting should be inspected and cleaned annually.</li> <li>• Make sure that your exhaust duct is a 4" rigid metal duct.</li> </ul>
Dryer is noisy.	<ul style="list-style-type: none"> <li>• It is normal for your dryer to hum due to the high velocity of air moving through the dryer drum and exhaust system.</li> <li>• Check the load for objects, like coins, loose buttons, nails, or broken zippers. Remove these items.</li> <li>• Make sure that your dryer is level.</li> </ul>
Clothes are unevenly dried.	<ul style="list-style-type: none"> <li>• Seams, pockets, and other similarly heavy areas may not be completely dry when the rest of the load has reached the selected dryness level. This is normal. Select the <b>More Dry</b> or <b>Very Dry</b> dry level if desired.</li> <li>• If you dry one heavy item with a lightweight load (such as one towel with sheets), the heavy item may not be completely dry when the rest of the load has reached the selected dryness level. For best drying results, dry heavy items and lightweight items separately.</li> </ul>
Dryer shuts off before clothes are dried.	<ul style="list-style-type: none"> <li>• The dryer load is too small. Add more items or a few towels and restart the cycle.</li> <li>• The dryer load is too large. Remove some items and restart the cycle.</li> </ul>
Dryer has an odd odor.	<ul style="list-style-type: none"> <li>• Your dryer draws air from the surrounding room air. Household odors from paint, varnish, strong cleaners, and so forth, may enter your dryer with the surrounding room air. This is normal. When these odors linger in the air, ventilate the room completely before using your dryer.</li> </ul>

PROBLEM	SOLUTION
Odor remains in clothing even after washing.	<ul style="list-style-type: none"> <li>Fabrics containing strong odors should be rewashed utilizing desired wash cycle.</li> </ul>
Clothing is still wrinkled after using the <b>Wrinkle Care</b> setting.	<ul style="list-style-type: none"> <li>Small loads of one to four items work best.</li> <li>If the dryer load is too large, items cannot tumble freely. Try loading fewer items.</li> <li>Make sure that the items in the dryer load are similar. The <b>Wrinkle Care</b> setting works best when the items in the dryer load are similar-type items.</li> </ul>
There is lint on the clothing.	<ul style="list-style-type: none"> <li>Check pockets thoroughly before washing and drying clothes. Things like paper or tissue can break up into small pieces that turn into lint.</li> <li>Clean the lint filter before every cycle. Some loads that produce high amounts of lint can clog the filter.</li> <li>Some fabrics are lint producers (like a fuzzy white cotton towel) and they should be dried separately from clothes that are lint trappers (like a pair of black linen pants).</li> <li>Divide larger loads into smaller loads for drying.</li> </ul>

## Understanding the error codes

Your dryer is equipped with an automatic error-monitoring system to detect and diagnose problems at an early stage.







ERROR CODE	POSSIBLE CAUSE	SOLUTIONS
C9	The PCB failed.	Contact authorized service personnel for help. DO NOT use your dryer.
E4	The humidity sensor failed.	Your dryer will complete the current operating cycle but items could be over dried. Your dryer can still operate under the Time cycles. Contact authorized service personnel for help.
E5	The temperature sensor failed.	Contact authorized service personnel for help. DO NOT use your dryer.

## Specifications

Type	CLADE67W	
Dimensions (H x W x D)	43 in. x 27 in. x 30.1 in. (109.2 cm x 68.6 cm x 76.5 cm)	
Weight	Gross: 143.3 lbs (65 kg) Net: 127.8 lbs (57.9 kg)	
Power	Electric	120V/240V AC 60Hz
	Gas	120V AC 60Hz

# Fabric care chart

The following symbols provide garment care direction. The Clothing care labels include symbols for washing, bleaching, drying and ironing, or dry cleaning when necessary. The use of symbols ensures consistency among garment manufacturers of domestic and imported items. Follow care label directions to maximize garment life and reduce laundering problems.

Wash Cycle		Special Instructions		Warning Symbols for laundering	
	Normal		Line Dry/ Hang to Dry		Do Not Wash
	Permanent Press / Wrinkle Resistant / Wrinkle Control		Drip Dry		Do Not Wring
	Gentle/Delicates		Dry Flat		Do Not Bleach
	Hand Wash	Heat Setting			Do Not Tumble Dry
Water Temperature**			High		No Steam (added to iron)
	Hot		Medium		Do Not Iron
	Warm		Low	Dryclean	
	Cold		Any Heat		Dry Clean
Bleach			No Heat/Air		Do Not Dry Clean
	Any Bleach (when needed)	Iron-Dry or Steam Temperatures			Line Dry/ Hang to Dry
	Only Non-Chlorine (color-safe) Bleach (when needed)		High		Drip Dry
	Tumble Dry Cycle		Medium		Dry Flat
Normal			Low		
	Permanent Press/ Wrinkle Resistant/ Wrinkle Control		For machine-washable wool. Loads should be under 8 pounds.		
	Gentle/ Delicates				

\*\* The number of dots represent appropriate wash water temperatures for various items. The temperature range for Hot is 105°-125°F/41°-52°C, for Warm 85°-105°F/29°-41°C and for Cold 60°-85°F/16°-29°C.