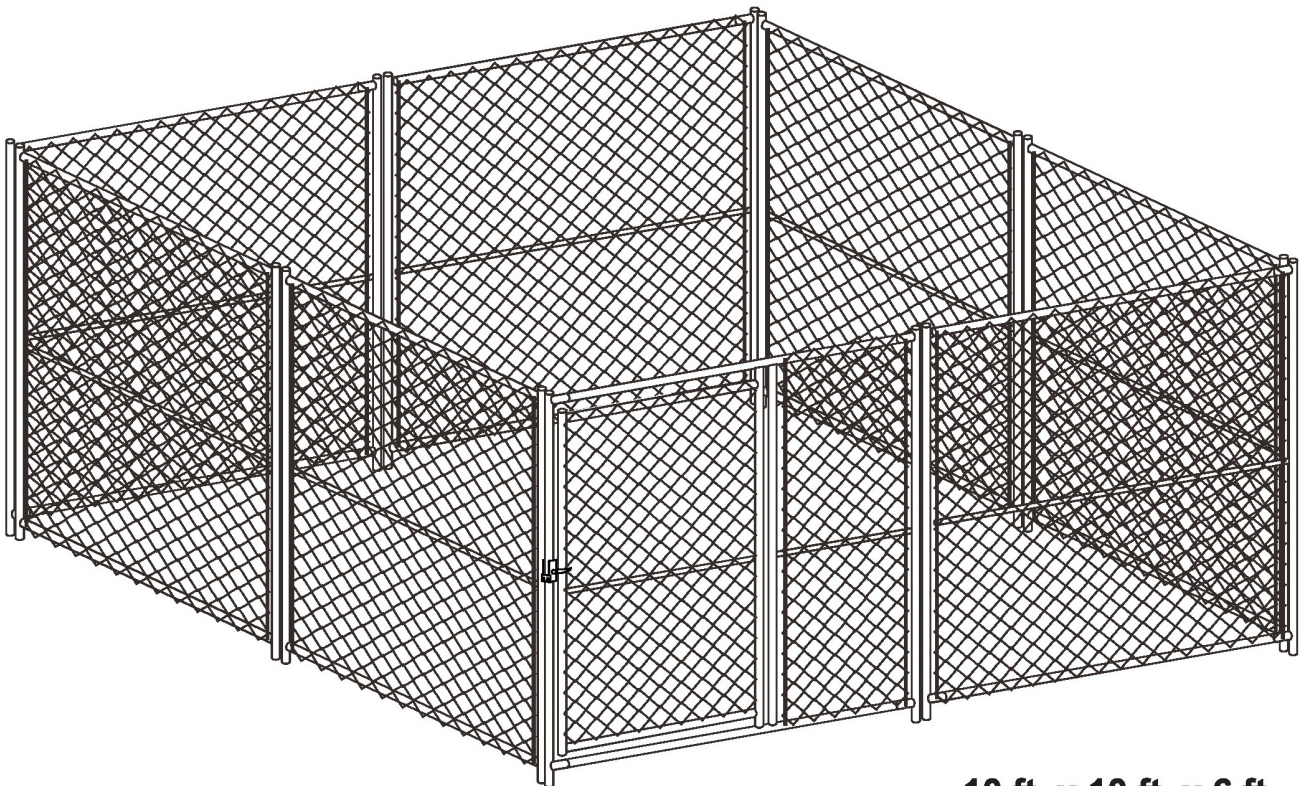
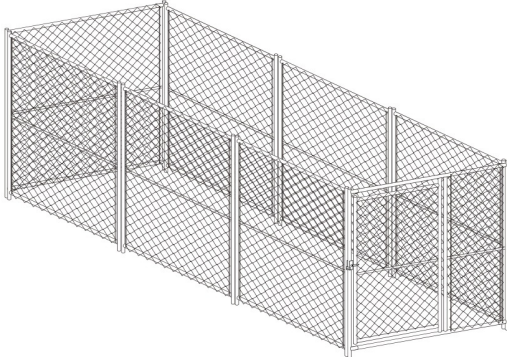


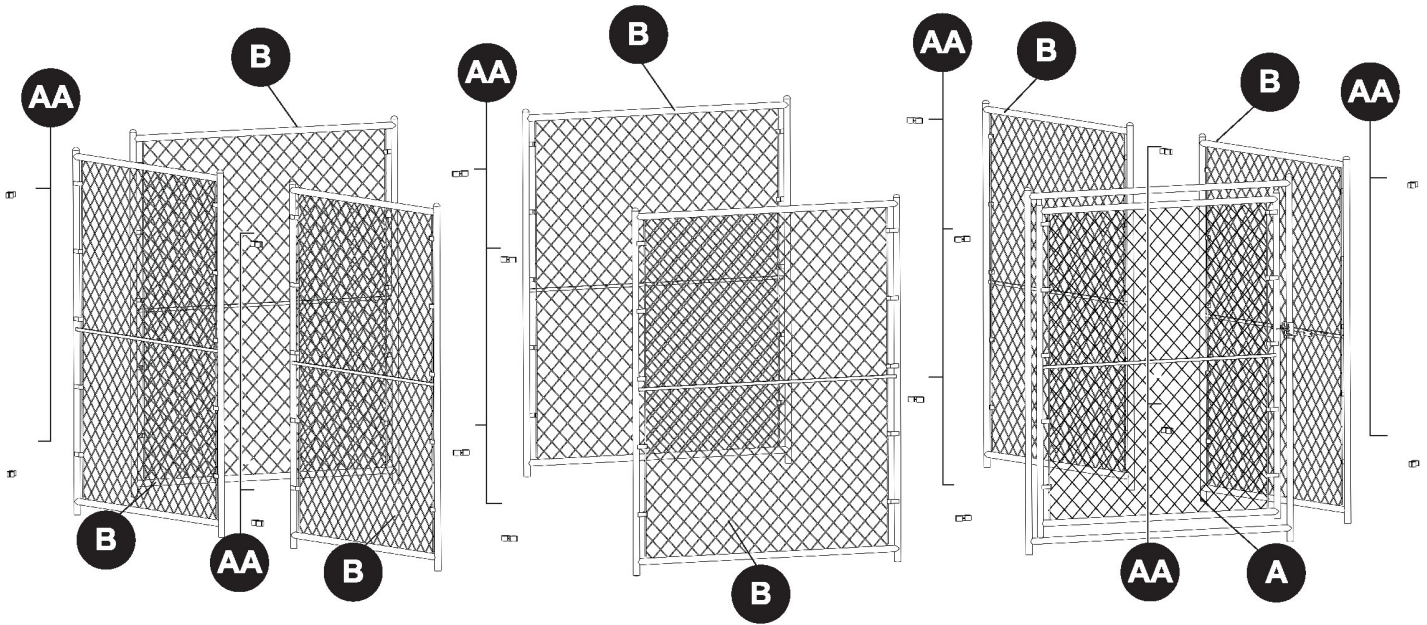
Chain Link Pet Kennel

**5 ft. x 15 ft. x 6 ft.
Configuration**



**10 ft. x 10 ft. x 6 ft.
Configuration**

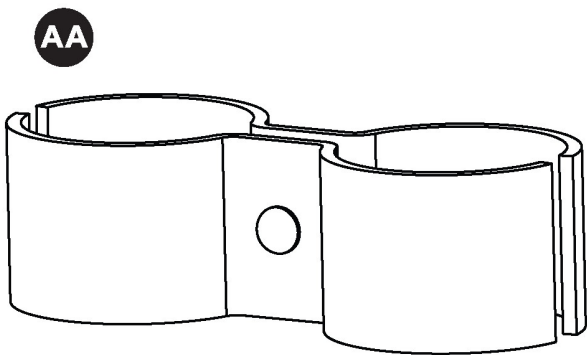
PACKAGE CONTENTS



PART	DESCRIPTION	QUANTITY
A	Gate Panel	1
B	Chain Link Panels	7

Latch is pre-installed and should not be moved.

HARDWARE CONTENTS (shown actual size)



Panel Clamps w/ bolt & hex nut
Qty. 16

SAFETY INFORMATION

Please read and understand this entire manual before attempting to assemble, operate or install the product.

PREPARATION

Before beginning assembly of product, make sure all parts are present. Compare parts with package contents list and hardware contents list. If any part is missing or damaged, do not attempt to assemble the product.

Note: Horizontal support bar should be located on the outside of the kennel once assembled.

Estimated Assembly Time: 1 hour

Two people required for assembly of this kennel.

Tools Required for Assembly (not included): 9/16 in. wrench or socket wrench

ASSEMBLY INSTRUCTIONS

1. Start by planning your layout and the placement of your gate. Start construction of your panel kennel at a corner. Stand up two chain link panels (B) to create a corner. Use two panel clamps (AA) to secure panels together. Place a clamp approximately 4 inches from the top and bottom of the panel. Tighten clamps. Position clamps with the smooth bolt head inward toward pet.

Note: Kennel can be built in a 10 ft. x 10 ft. configuration or a 5 ft. x 15 ft. depending on panel placement.

Hardware Used

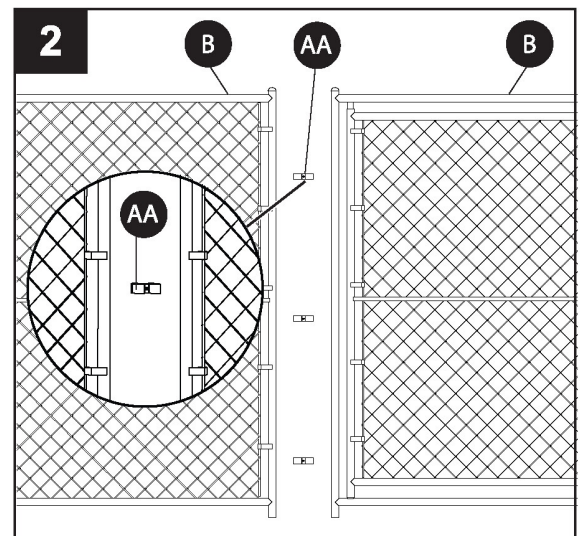
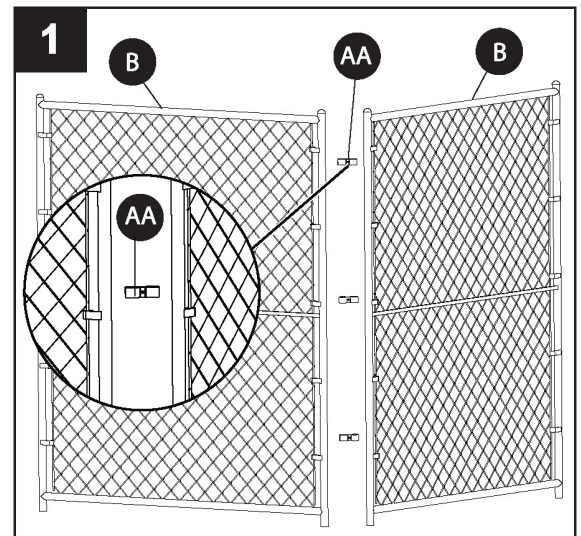
 **AA** Panel Clamps  x 2

2. Attach the next panel (B) in line using two panel clamps (AA). Two panels (B) together will complete a 10 ft. kennel side.

Note: If you are building as a 5 ft. x 15 ft. configuration then 3 panels will complete a 15 ft. side.

Hardware Used

 **AA** Panel Clamps  x 2

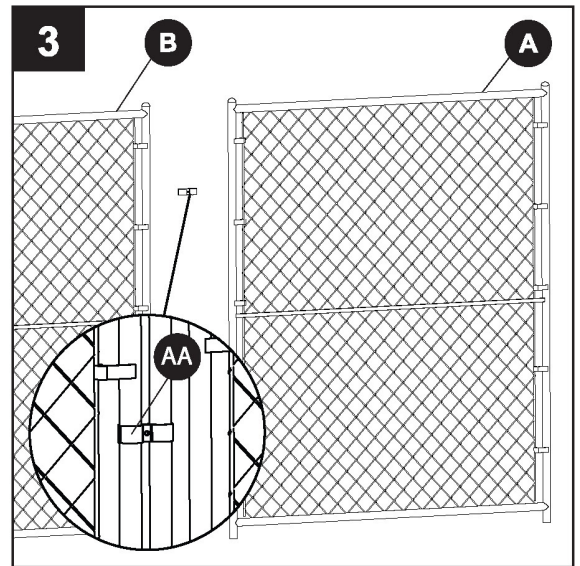


ASSEMBLY INSTRUCTIONS

3. Create another corner by adding another panel (B) at 90°. Use the gate panel (A) and another panel (B) to complete this side.

Note: The gate panel (A) can be used in any position around the kennel.

Hardware Used



4. Continue by adding three more panels (B) and eight clamps (AA) to complete kennel construction. Tighten all clamps (AA).

Hardware Used

