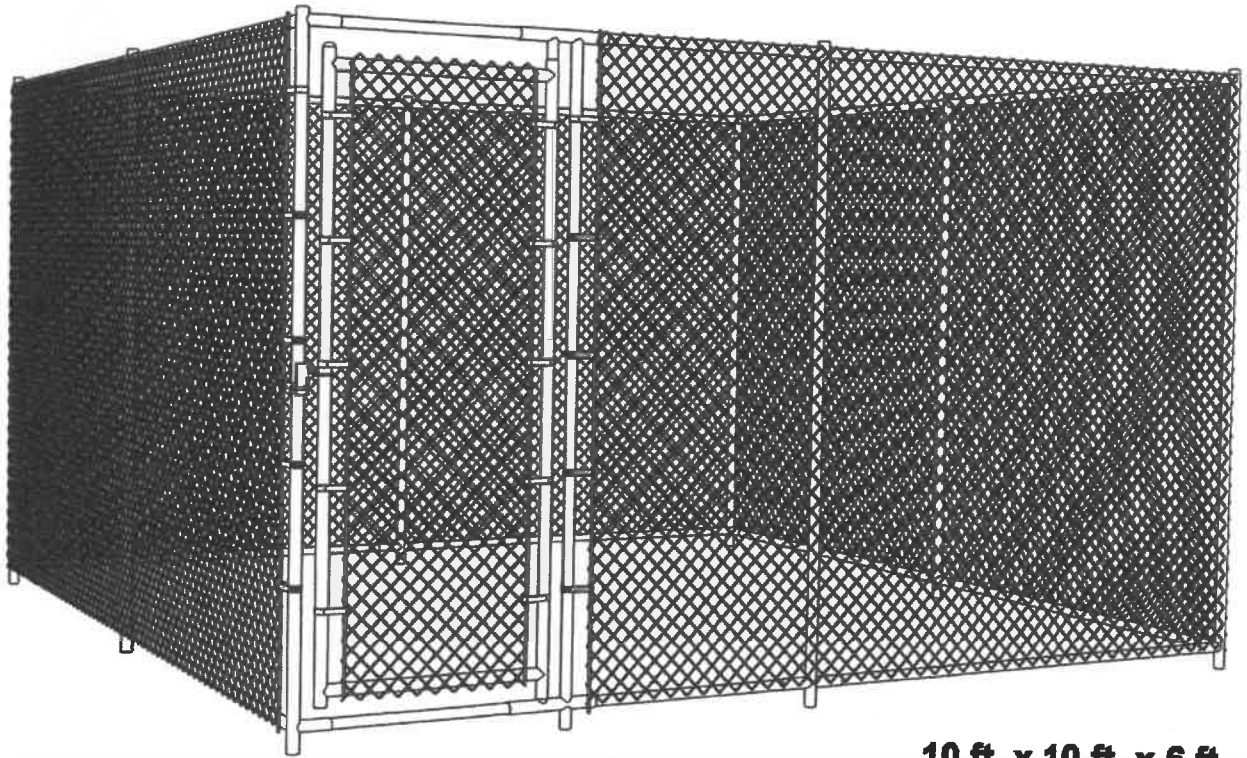
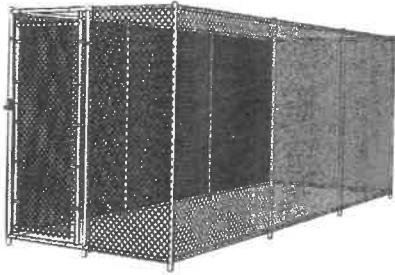


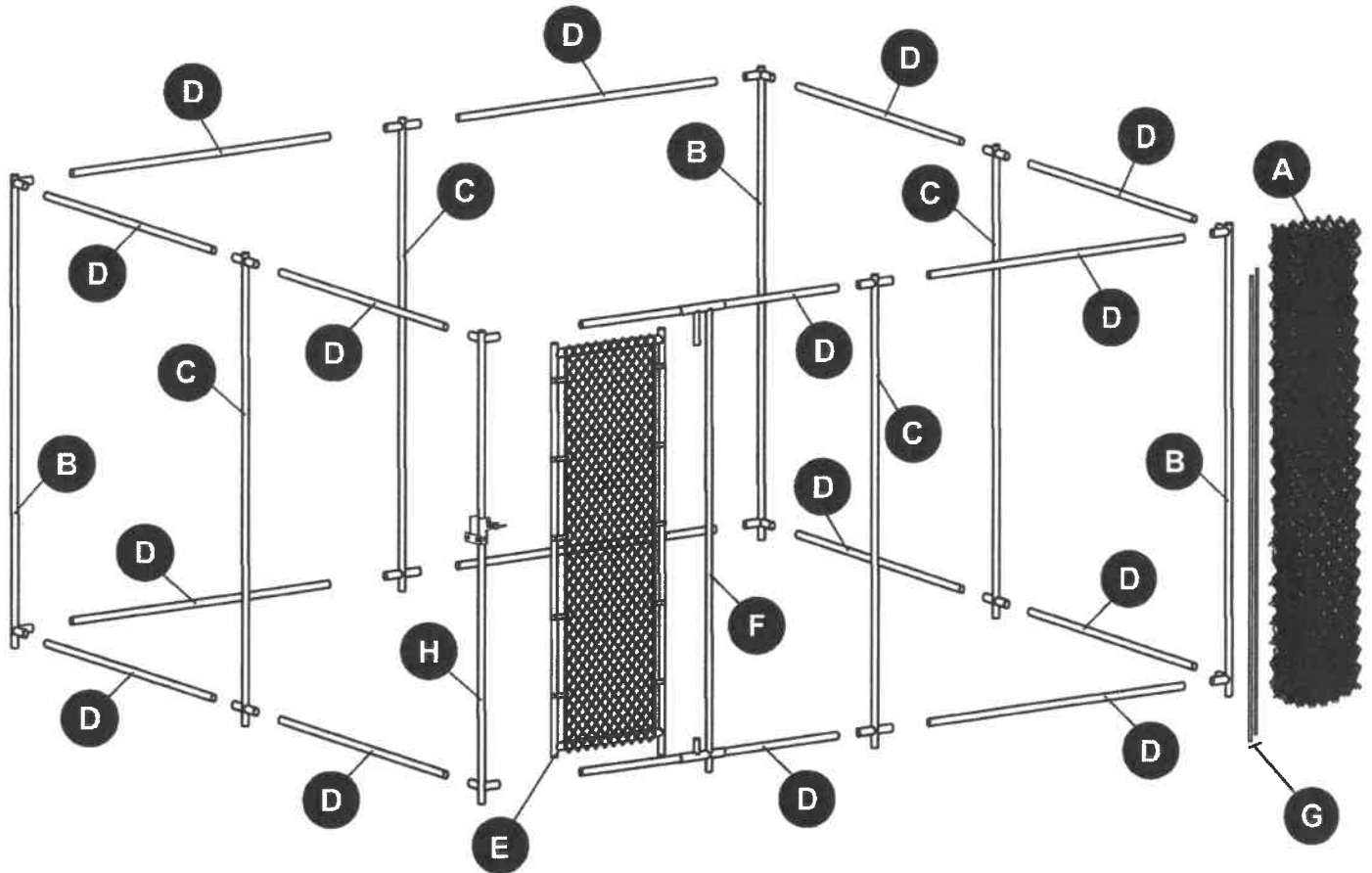
CHAIN LINK PET KENNEL

**5 ft. x 15 ft. x 6 ft.
Configuration**



**10 ft. x 10 ft. x 6 ft.
Configuration**

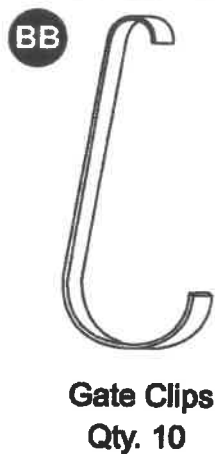
PACKAGE CONTENTS



PART	DESCRIPTION	QUANTITY
A	Chain Link Fabric Roll	1
B	Corner Post	3
C	Intermediate Post	4
D	Horizontal Rails	16
E	Gate Panel	1
F	Gate Post	1
G	Tension Rods	2
H	Corner Post With Gate Latch	1

NOTE: Gate latch is pre-installed, please do not remove.

HARDWARE CONTENTS



SAFETY INFORMATION

Please read and understand this entire manual before attempting to assemble, operate or install the product.

PREPARATION

Before beginning assembly of product, make sure all parts are present. Compare parts with package contents list and hardware contents list. If any part is missing or damaged, do not attempt to assemble the product. This kennel can be built in two configurations: 10 ft. x 10 ft. or 5 ft. x 15 ft.

Estimated Assembly Time: 2 Hours

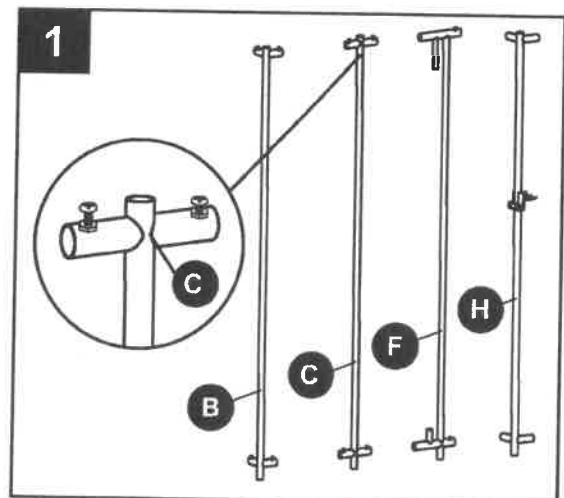
Two people are recommended to assemble this kennel.

Tools Required for Assembly (not included): #2 Phillips Screwdriver, 9/16 in. Wrench, Pliers

Choose the site for your kennel. The location should be flat, level and suitable for pets. Choose location of door before you start to build kennel.

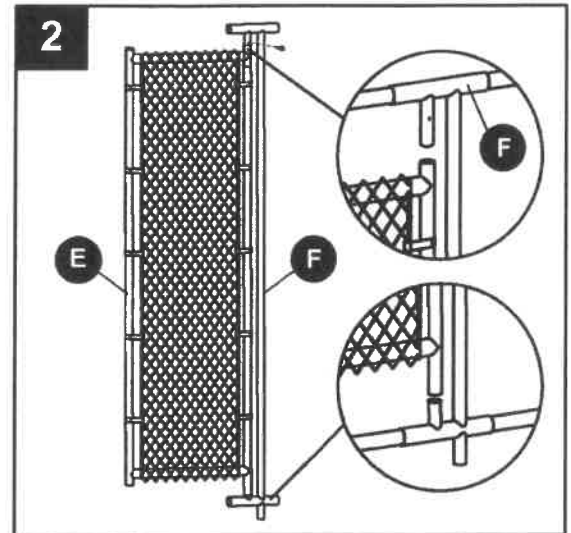
ASSEMBLY INSTRUCTIONS

1. Gather the corner and intermediate posts (B & C) and gate post (F). Loosen the pre-assembled screws in the connectors to make insertion of horizontal rails (D) possible. Do not remove screws, just loosen.
Note: Bottom of posts have 1 in. extension.

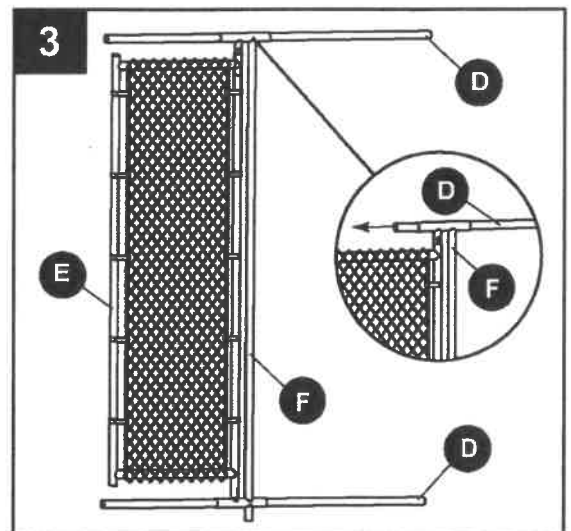


ASSEMBLY INSTRUCTIONS

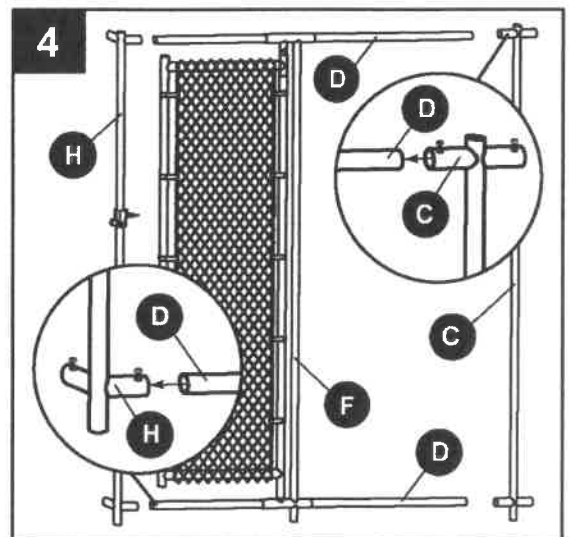
2. Assemble gate (E) and gate post (F). Start by removing the gate keeper screw from the top hinge tube on the gate post (F). Insert the top of the gate into the hinge tube and push in as far as it can go. Then, guide the bottom of the gate onto the bottom hinge tube. Push gate back downward to sit on the bottom hinge tube. Re-install the gate keeper screw to capture the gate.
- Note: The gate post (F) is designed to allow the horizontal rails (D) to slide through the tubes.



3. Lay the assembled gate on the ground and slide horizontal rails (D) through the tubes on the gate post (F).
- Note: Bottom of posts have 1 in. extension.

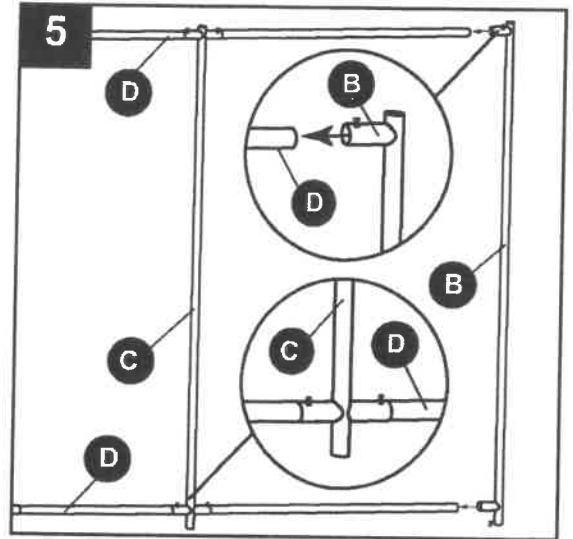


4. Slide the top and bottom horizontal rails into a corner post (H) and then slide on an intermediate post (C) on right.
- Note: If you are building a 5 ft. x 15 ft. then you will use a corner post (B) at each end of horizontal rails (D).

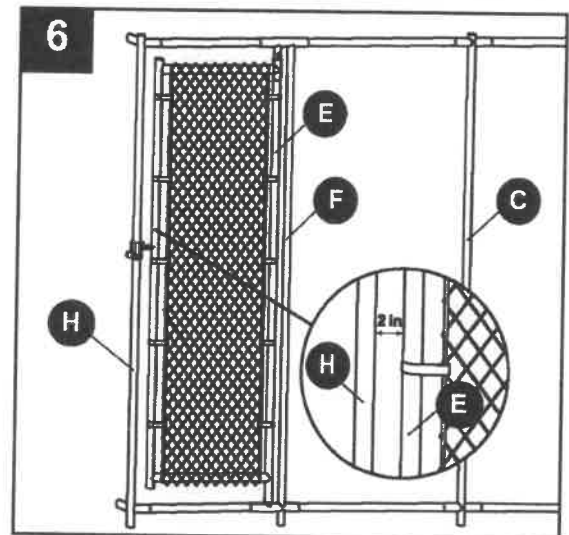


ASSEMBLY INSTRUCTIONS

5. Working toward the right, slide another set of horizontal rails (D) into the intermediate post (C) and then a corner post (B) to the right.

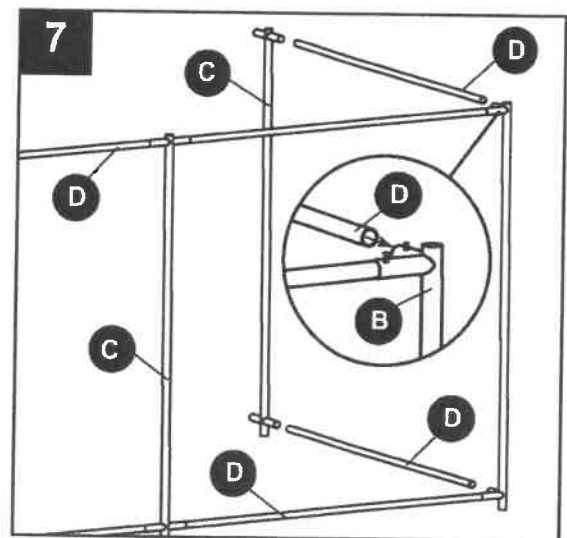


6. Tighten the screws on all corner (B&H), gate (F) and intermediate posts (C). It is important to leave 2 inches space between the swinging side of gate and the post for proper latch function. This will complete the gate side. Carefully stand the completed panel up.



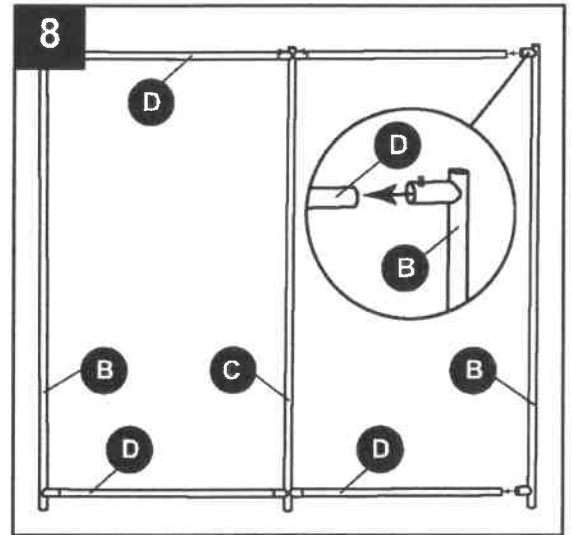
7. Insert top and bottom horizontal rails (D) into the corner posts to start the side of kennel, then into an intermediate post (C). Then, another set of horizontal rails (D) and then a corner post (B).
Note: If you are building in the 5 ft. x 15 ft. configuration, repeat the process with two more horizontal rails and another intermediate post.

Repeat this process to complete the left side of the kennel.

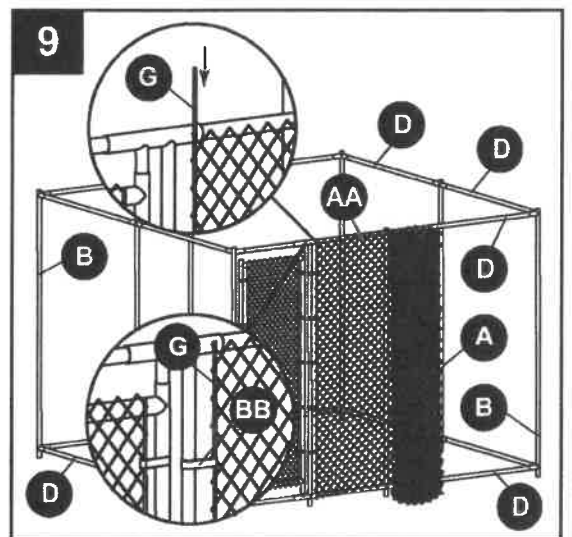


ASSEMBLY INSTRUCTIONS


8. Complete the rear of the kennel with the addition of four horizontal rails (D) and an intermediate post (C). Tighten all screws in all connectors.
Note: If you are building in 5 ft. x 15 ft., only two horizontal rails are needed to complete.



9. With two people, lift the chain link fabric roll (A) up into a standing position and drop a tension rod (G) into the end links and connect to the gate post with five gate clips (BB) evenly spaced. Unroll the fabric around the kennel frame.
Note: Use wire ties (AA) to secure to gate side of frame loosely to keep in place while unrolling. Add wire ties (AA) as you move around. You can adjust wire ties (AA) when you get the fabric fully unrolled.



Hardware Used

AA	Wire Tie		x 10
BB	Gate Clip		x 5

10. Chain link fabric (A) is cut to size but may need to be shortened for exact fit. You may need to "cut" the fabric by removing a wire. Using pliers, unlock the knuckles at the top and bottom of wire to be removed. Then, twist the wire out from the top. Drop a tension rod (G) in the last diamonds of the fabric and stretch it tight. Connect to post with five gate clips (BB). Fasten fabric with wire ties (AA). Place ties around bottom of kennel at 12 in. intervals. Place ties around top at 18 in. intervals. Also secure fabric to all vertical posts.

Hardware Used

AA	Wire Tie		x 50
BB	Gate Clip		x 5

