

## **MATERIALS:**

### Lumber:

- 2 x 8 x 10' shelves (4)
- 2 x 10 x 10' desktop boards (2)

### Hardware:

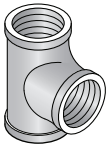
- 1/2" black tee (16) 3239-436
- 1/2" black 90° elbow (8) 3237-937
- 1/2" black floor flange (24) 3238-204
- 1/2" x 30" threaded black welded pipe (8) 3239-052
- 1/2" x 18" threaded black welded pipe (8) 3239-034
- 1/2" x 12" black nipple pipe (8) 3238-972
- 1/2" x 8" black nipple pipe (16) 3238-963
- 1/2" x 1 1/2" black nipple pipe (4) 3238-641
- 1/2" two hole conduit straps (3 packs of 8 or 24 pieces) 3621-138
- #8 x 1" round head screws (100 pack) 2178-958
- fasteners to secure flanges to wall (64)
- fasteners to secure flanges to floor (32)

### Extras:

- wood stain
- polyurethane finish
- cleaner or spray paint

## **1/2" BLACK PIPE & FITTINGS**

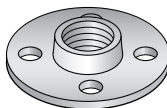
TEE



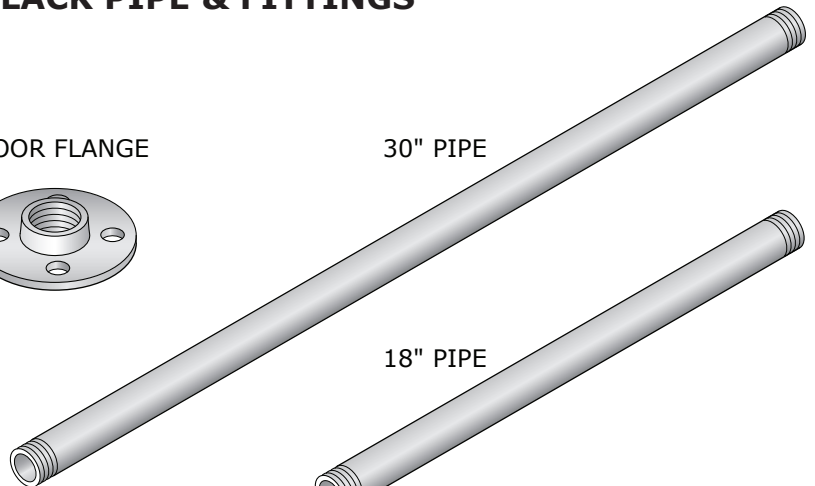
90° ELBOW



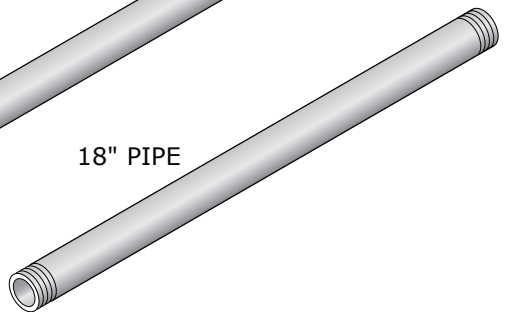
FLOOR FLANGE



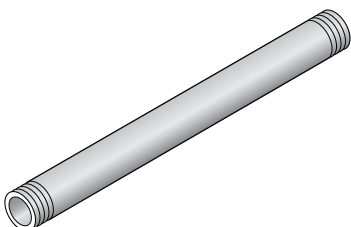
30" PIPE



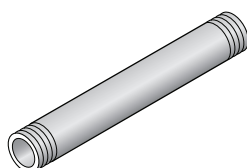
18" PIPE



12" NIPPLE PIPE



8" NIPPLE PIPE



1 1/2" NIPPLE PIPE



CONDUIT STRAP

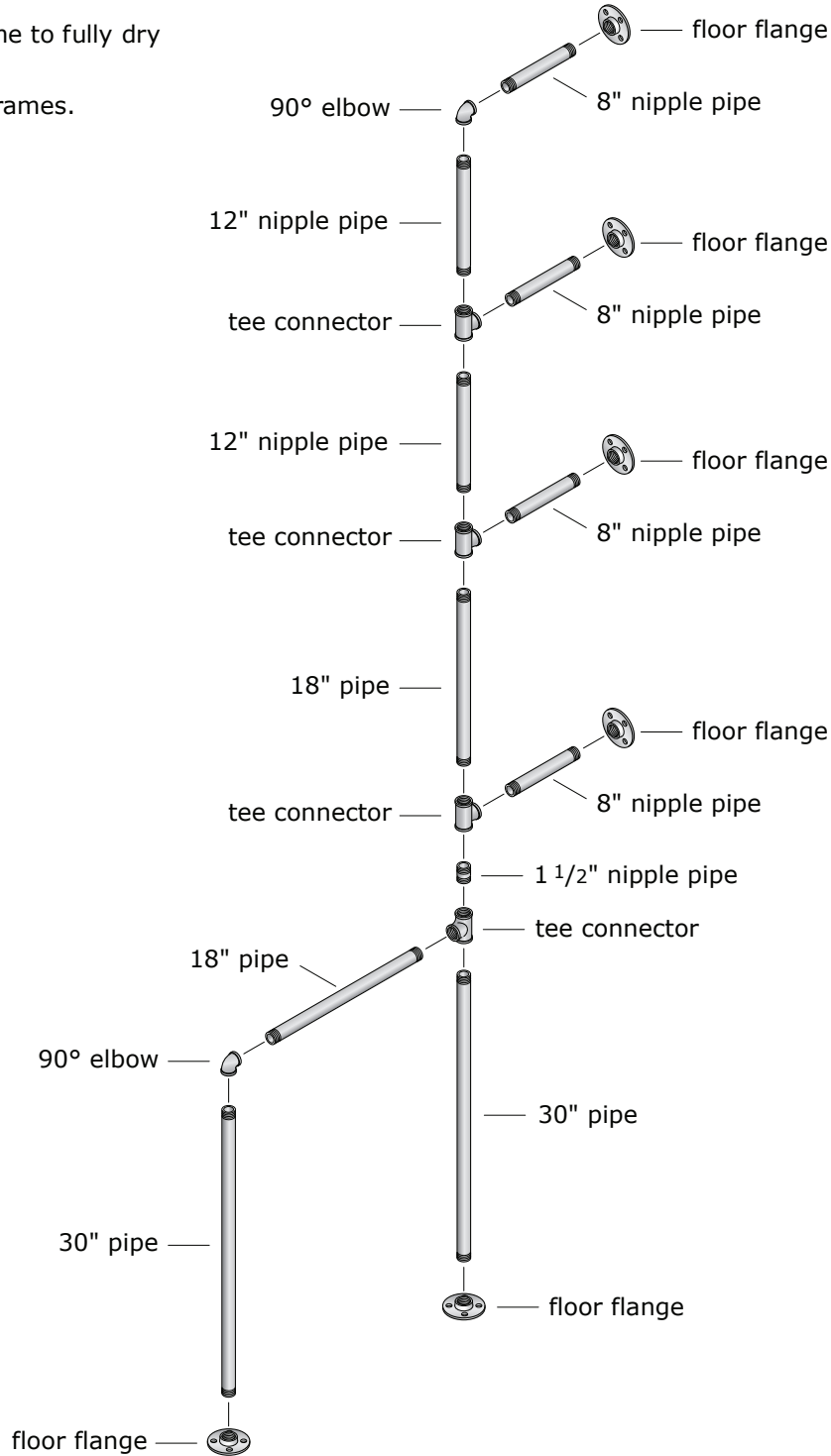


## STEP 1:

Clean or paint pipe and fittings until desired look is achieved.

Allow sufficient time to fully dry before assembly.

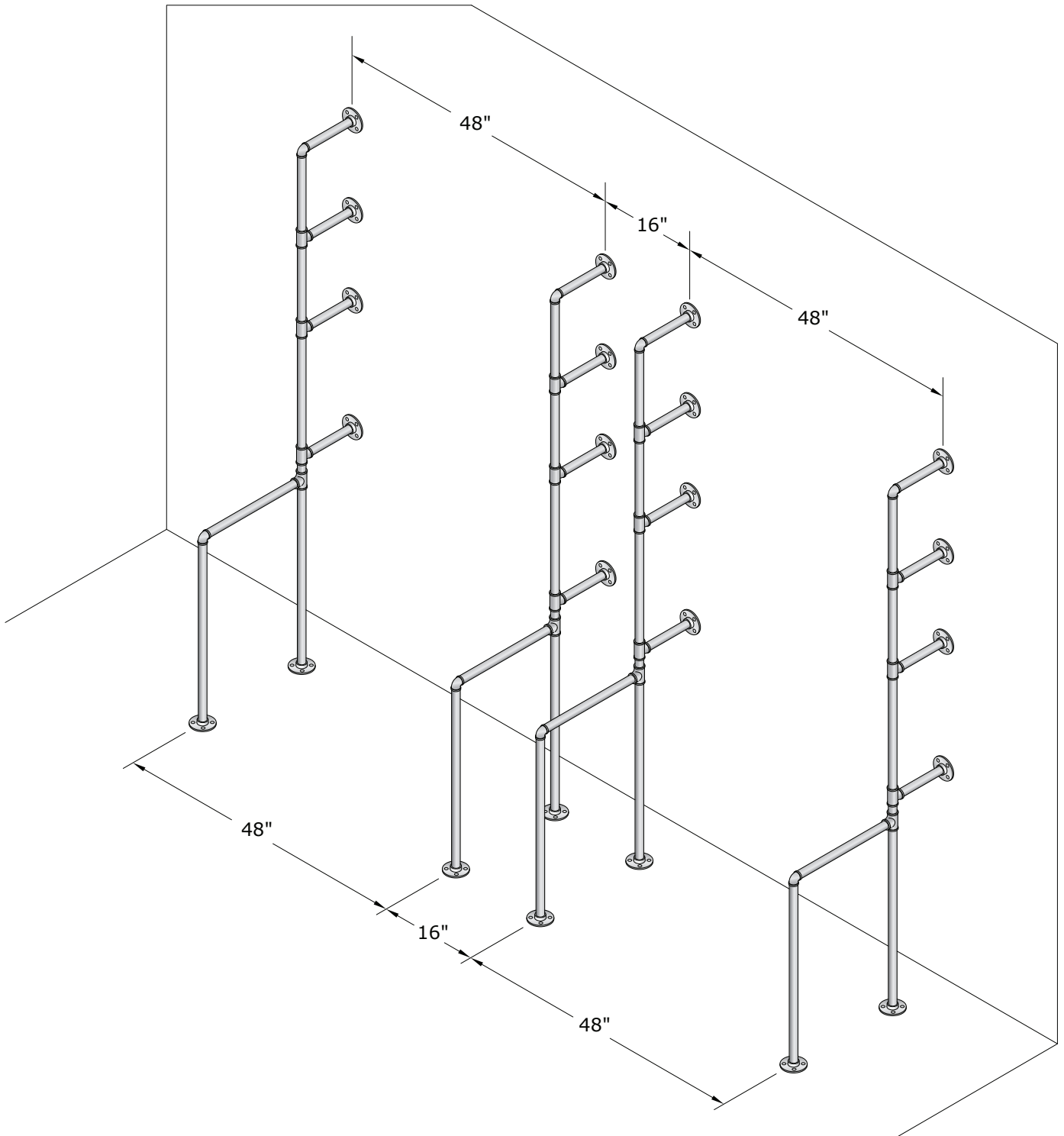
Now assemble 4 frames.



## STEP 2:

Fasten the 4 frames to the wall and floor using appropriate fasteners.

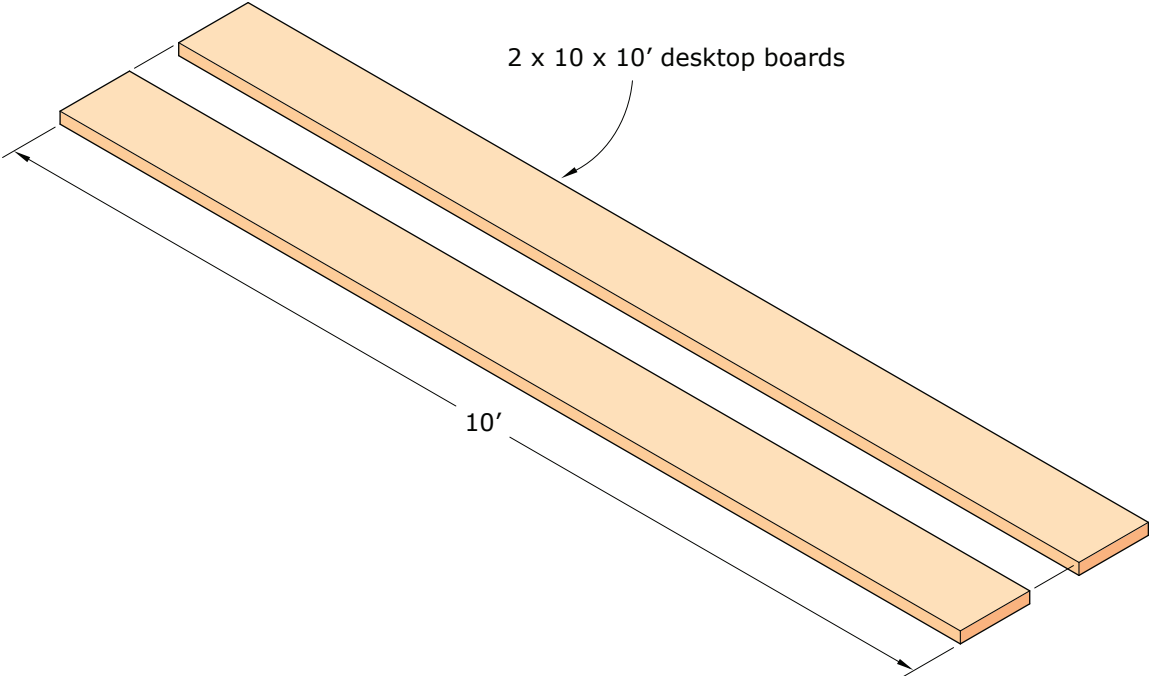
Make certain that the flanges for each shelf are level with each other and that the flanges on the floor are in line with each other.



**STEP 3:**

Glue and clamp the two desktop boards together.

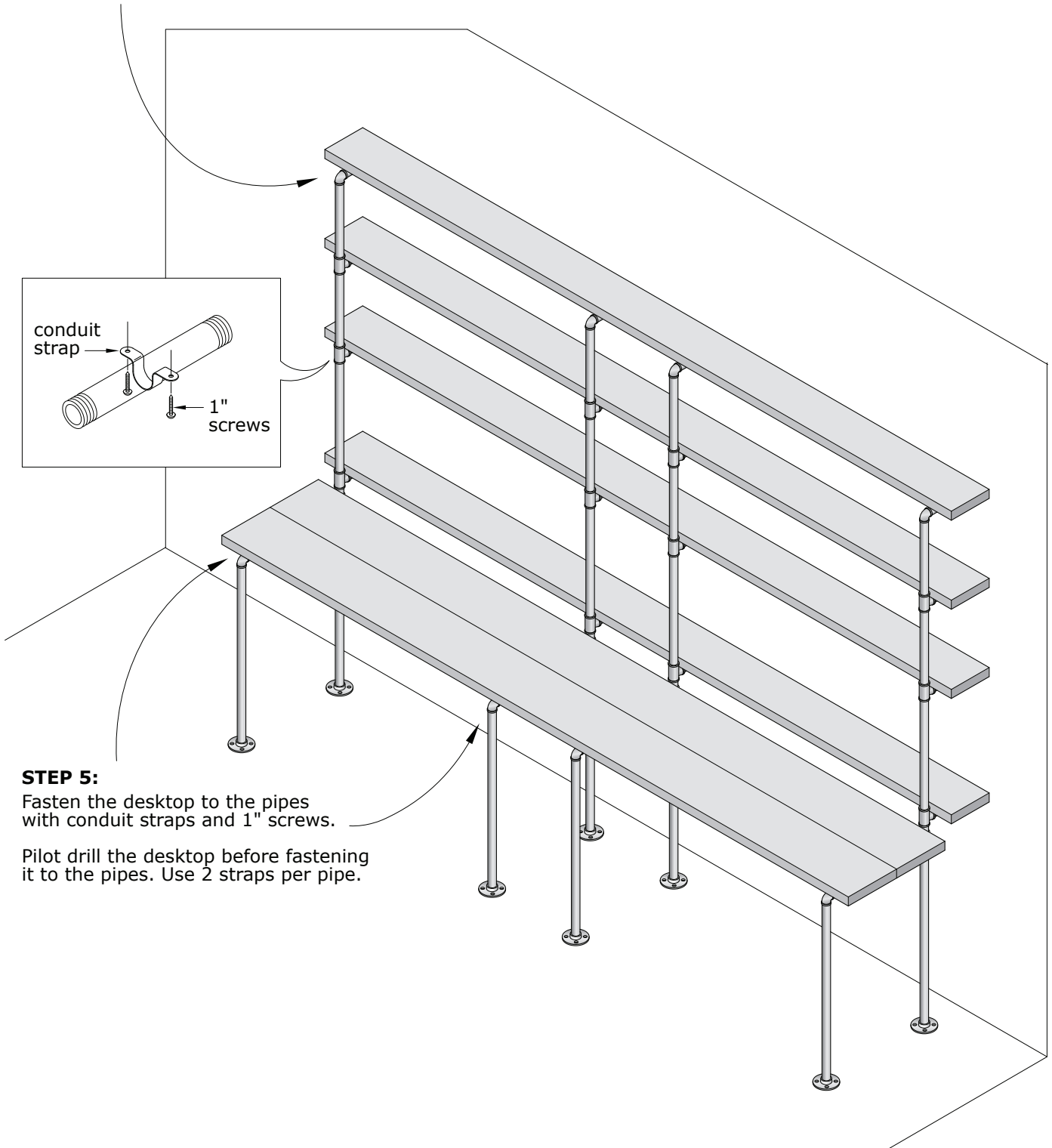
Stain and finish the desktop boards and the shelf boards.



**STEP 4:**

Fasten the 4 shelves to the pipes with conduit straps and 1" screws.

Pilot drill the shelves before fastening them to the pipes. Use 1 strap per pipe.



**STEP 5:**

Fasten the desktop to the pipes with conduit straps and 1" screws.

Pilot drill the desktop before fastening it to the pipes. Use 2 straps per pipe.