

<p>SINCE 1957 CLEVELAND IRON WORKS</p>	<p>OPERATING INSTRUCTIONS AND OWNER'S MANUAL</p>	Model #
		H090

⚠ CAUTION! PLEASE READ THIS ENTIRE MANUAL BEFORE YOU INSTALL OR USE YOUR NEW ROOM HEATER. FAILURE TO FOLLOW INSTRUCTIONS MAY RESULT IN PROPERTY DAMAGE, BODILY INJURY, OR EVEN DEATH. IMPROPER INSTALLATION WILL VOID YOUR WARRANTY!

ERIE SINGLE BURN RATE WOOD FIRE STOVE



PRODUCT SPECIFICATIONS AND APPEARANCE ARE SUBJECT TO CHANGE WITHOUT NOTICE. PRODUCT IMAGE MAY NOT BE PRECISE.

⚠ SAFETY NOTICE: IF THIS HEATER IS NOT PROPERLY INSTALLED, A HOUSE FIRE MAY RESULT. FOR YOUR SAFETY, FOLLOW THE INSTALLATION INSTRUCTIONS. NEVER USE MAKE-SHIFT COMPROMISES DURING THE INSTALLATION OF THIS HEATER. CONTACT LOCAL BUILDING OR FIRE OFFICIALS ABOUT PERMITS, RESTRICTIONS, INSPECTIONS AND INSTALLATION REQUIREMENTS IN YOUR AREA. NEVER OPERATE THIS PRODUCT WHILE UNATTENDED.

⚠ CAUTION: A CHIMNEY FIRE MAY CAUSE IGNITION OF WALL STUDS OR RAFTERS WHICH WERE ASSUMED TO BE A SAFE DISTANCE FROM THE CHIMNEY. IF A CHIMNEY FIRE HAS OCCURRED, HAVE YOUR CHIMNEY INSPECTED BY A QUALIFIED EXPERT BEFORE USING AGAIN.

⚠ CAUTION: IT IS IMPORTANT TO USE ONLY THE SPECIFIED COMPONENTS. USE OF COMPONENTS OTHER THAN SPECIFIED COMPONENTS MAY RESULT IN INCREASED RISK TO YOU, YOUR STOVE, AND YOUR HOME.

- Due to the high surface temperatures this unit should be located an appropriate distance from any and all combustible materials. Comply with all clearances to combustibles, see page 6.
- Assembled stove must be connected to a flue vented to the outdoors in accordance with local guidelines, see installation requirements & guidelines page 7 through page 12.
- Only use with permitted fuels, see page 13. **DO NOT BURN GARBAGE.**

SAVE THESE INSTRUCTIONS IN A SAFE PLACE FOR FUTURE REFERENCE.

CAUTION:

- ⚠ • **HOT WHILE IN OPERATION. KEEP CHILDREN, CLOTHING AND FURNITURE AWAY. CONTACT MAY CAUSE SKIN BURNS.**
- **DO NOT USE CHEMICALS OR FLUIDS TO IGNITE THE FIRE.**
- **DO NOT LEAVE THE STOVE UNATTENDED WHEN THE DOOR IS SLIGHTLY OPENED.**
- **DO NOT BURN GARBAGE, FLAMMABLE FLUID SUCH AS GASOLINE, NAPHTHA OR MOTOR OIL.**
- **DO NOT CONNECT TO ANY AIR DISTRIBUTION DUCT OR SYSTEM.**
- **ALWAYS CLOSE THE DOOR AFTER THE IGNITION.**

GENERAL HAZARD WARNING:

- ⚠ FAILURE TO COMPLY WITH THE PRECAUTIONS AND INSTRUCTIONS PROVIDED WITH THIS STOVE, CAN RESULT IN DEATH, SERIOUS BODILY INJURY AND PROPERTY LOSS OR DAMAGE FROM HAZARDS OF FIRE, EXPLOSION, BURN, ASPHYXIATION, CARBON MONOXIDE POISONING, AND/OR ELECTRICAL SHOCK.
- ⚠ ONLY PERSONS WHO CAN UNDERSTAND AND FOLLOW THE INSTRUCTIONS SHOULD USE OR SERVICE THIS STOVE.
- ⚠ IF YOU NEED ASSISTANCE OR STOVE INFORMATION SUCH AS AN INSTRUCTIONS MANUAL, LABELS, ETC. CONTACT THE MANUFACTURER.

⚠ **WARNING:** This product can expose you to chemicals including lead and lead compounds, which are known to the State of California to cause cancer and birth defects or other reproductive harm. For more information visit www.P65Warnings.ca.gov

WARNING:

- ⚠ FIRE, BURN, INHALATION, AND EXPLOSION HAZARD. KEEP SOLID COMBUSTIBLES, SUCH AS BUILDING MATERIALS, PAPER OR CARDBOARD, A SAFE DISTANCE AWAY FROM THE STOVE AS RECOMMENDED BY THE INSTRUCTIONS NEVER USE THE STOVE IN SPACES WHICH DO OR MAY CONTAIN VOLATILE OR AIRBORNE COMBUSTIBLES, OR PRODUCTS SUCH AS GASOLINE, SOLVENTS, PAINT THINNER, DUST PARTICLES OR UNKNOWN CHEMICALS.

Contents

SPECIFICATIONS.....	3	CHIMNEY REQUIREMENTS.....	11
SAFETY PRECAUTIONS.....	4	OPERATION.....	13
CLEARANCE TO COMBUSTIBLES.....	6	MAINTENANCE.....	18
INSTALLATION.....	7	TROUBLESHOOTING.....	20
CHIMNEY CONNECTORS REQUIREMENTS AND INSTALLATION.....	8	SERVICE PARTS.....	21
		WARRANTY.....	22

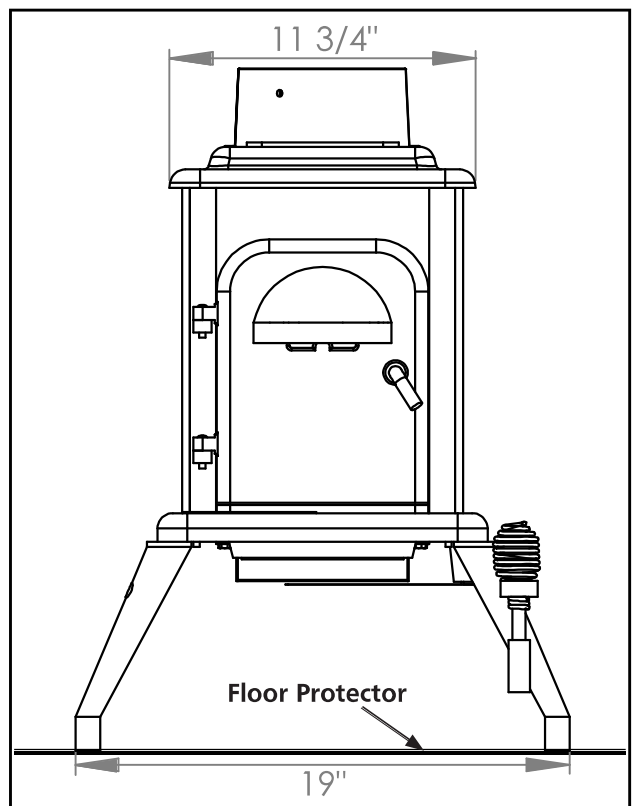
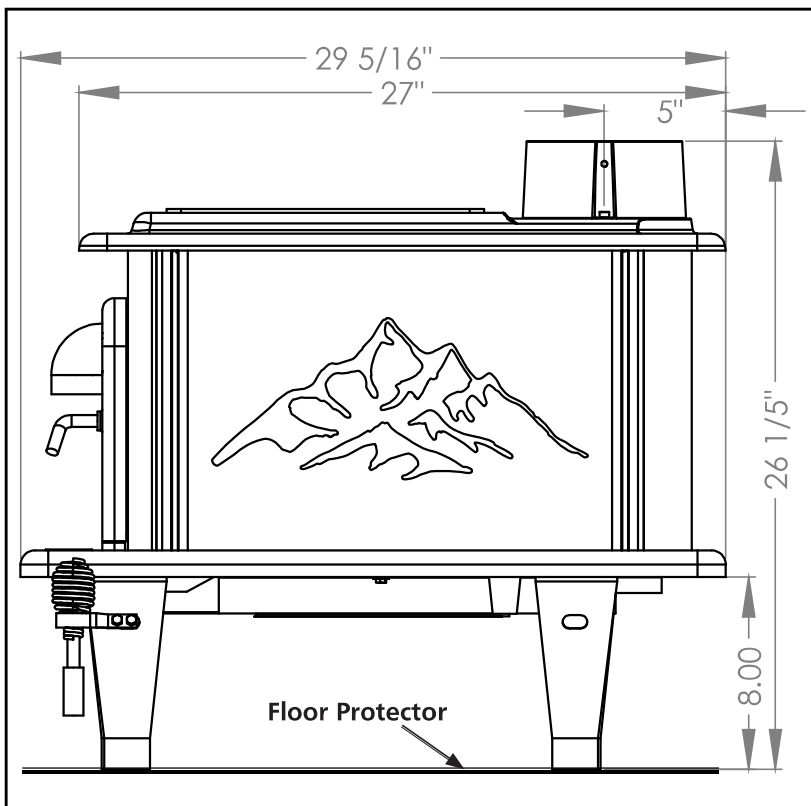
SPECIFICATIONS

Model #	H090
DIMENSIONS	
Stove Dimensions W (leg to leg) x L x H (leg to top of flue collar) [in (cm)]	19 x 29 x 26 (48 x 74 x 66) (Refer to Figures below)
Flue Collar	6 in. Round
OPERATION SPECIFICATIONS	
Fuel	Wood
Maximum Burn Time (Mins.)*	79
EPA and SAFETY COMPLIANCE SPECIFICATIONS	
EPA Compliance**	Certified
Heat Output Range	27,000 BTU/HR
Particulate Emissions (g/hr)	1.87
Efficiency	68% HHT
Tested To	UL-1482-2022 Standard for solid-fuel type room heater
	ULC S627-21 Standard for Space Heaters for use with Solid Fuels

*Maximum burn times are heavily dependent on the type of wood burned in the stove, so these numbers may vary.

** U.S. ENVIRONMENTAL PROTECTION AGENCY Certified to comply with 2020 particulate emission standards for single burn rate heaters. This single burn rate wood heater is not approved for use with a flue damper.

PLEASE READ THIS ENTIRE MANUAL BEFORE YOU INSTALL AND USE YOUR NEW STOVE. FAILURE TO FOLLOW INSTRUCTIONS MAY RESULT IN PROPERTY DAMAGE, BODILY INJURY, OR EVEN DEATH. THIS WOOD HEATER NEEDS PERIODIC INSPECTION AND REPAIR FOR PROPER OPERATION. IT IS AGAINST FEDERAL REGULATIONS TO OPERATE THIS WOOD HEATER IN A MANNER INCONSISTENT WITH OPERATING INSTRUCTIONS IN THIS MANUAL



TOOLS & MATERIALS REQUIRED (NOT SUPPLIED)

- Safety Glasses
- Hearth Gloves
- Pencil
- 6' Folding Ruler or Tape Measure
- Tin Snips
- Drill
- 1/8" dia. Drill Bit
- Adjustable Wrench
- #2 philips screw driver
- Chimney Connector
- 1/2" Sheet Metal Screws
- Chimney
- Furnace Cement
- Flooring protector as specified

⚠ CAUTION: STOVE IS HEAVY. MAKE SURE YOU HAVE ADEQUATE HELP AND USE PROPER LIFTING TECHNIQUES WHENEVER MOVING STOVE.

1. Uncrate the stove and remove packing materials and protective poly bag (save cardboard box for further assembly).
2. Remove parts from inside of the stove.
3. Place flattened carton on the floor and carefully turn stove over onto carton.

4. Attach the front legs to the hearth with two (2) M8 x 25mm screws and two (2) M8 X 25mm nuts.

NOTE: Only one leg is equipped with a handle bracket. This bracketed leg is designed to be installed at the front right side of the unit.

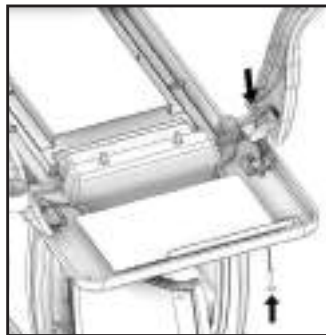


Figure 1

5. Attach the rear legs to the base of the stove with two (2) M8 X 25mm screws and two (2) M8 X 25mm nuts.

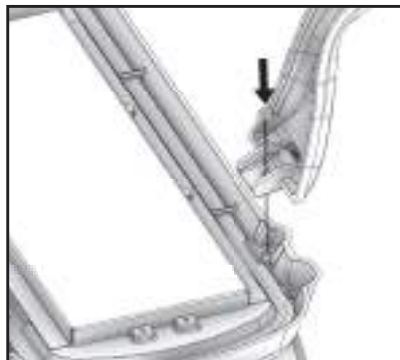


Figure 2

6. Carefully lift the stove upright and place in the desired location. Align the holes on the flue collar to the holes on the stove and attach using (2) two M6 X 15 screws.

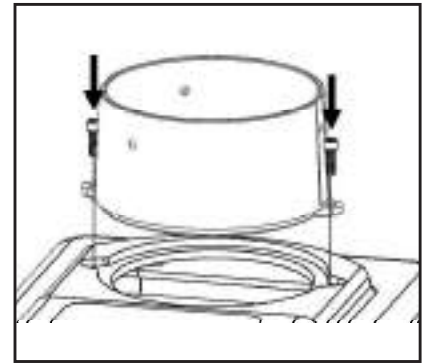


Figure 3

SAFETY PRECAUTIONS

⚠ HAVE AN ESTABLISHED PLAN FOR WHAT TO DO IN THE EVENT OF A FIRE. CONTACT YOUR LOCAL FIRE AUTHORITY TO ACQUIRE INFORMATION AND A PLAN FOR WHAT TO DO IN THE EVENT OF A CHIMNEY FIRE.

⚠ WARNING: IF THIS STOVE IS NOT PROPERLY INSTALLED, A HOUSE FIRE MAY RESULT. TO REDUCE THE RISK OF FIRE, FOLLOW THE INSTALLATION INSTRUCTIONS.

⚠ CAUTION: CONSULT YOUR MUNICIPAL BUILDING DEPARTMENT OR FIRE OFFICIALS ABOUT PERMITS, RESTRICTIONS AND INSTALLATIONS REQUIREMENTS IN YOUR AREA.

⚠ CAUTION: USE SMOKE DETECTORS IN THE ROOM WHERE YOUR STOVE IS INSTALLED.

⚠ CAUTION: KEEP FURNITURE AND DRAPES WELL AWAY FROM THE STOVE.

⚠ CAUTION: DO NOT INSTALL IN AN ALCOVE.

⚠ CAUTION: DO NOT INSTALL IN A TRANSPORTABLE BUILDING.

⚠ WARNING: NEVER USE GASOLINE, GASOLINE-TYPE LANTERN FUEL, KEROSENE, CHARCOAL LIGHTER FLUID, OR SIMILAR LIQUIDS TO START OR "FRESHEN UP" A FIRE IN THIS HEATER. KEEP ALL SUCH LIQUIDS WELL AWAY FROM THE HEATER WHILE IT IS IN USE.

⚠ WARNING: DO NOT STORE FLAMMABLE VAPORS, LIQUIDS, OR SOLID FUELS WITHIN THE VICINITY OF THIS STOVE, NEAR ELECTRICITY SOURCES, OR NEAR ASH REMOVAL SITES.

⚠ CAUTION: DO NOT CONNECT TO OR USE IN CONJUNCTION WITH ANY AIR DISTRIBUTION DUCTWORK

⚠ CAUTION: PROVIDE AIR FOR COMBUSTION FROM OUTSIDE THE HOUSE INTO THE ROOM WHERE THE HEATER IS LOCATED. IF THE INTAKE IS NOT IN THE SAME ROOM, AIR MUST HAVE FREE ACCESS INTO THE ROOM.

⚠ CAUTION: ALWAYS CONNECT THIS HEATER TO A CHIMNEY AND VENT TO THE OUTSIDE. NEVER VENT TO ANOTHER ROOM OR INSIDE A BUILDING. DO NOT CONNECT THIS UNIT TO A CHIMNEY FLUE SERVING ANOTHER APPLIANCE.

⚠ WARNING: ALL PERSONS, ESPECIALLY CHILDREN, SHOULD BE ALERTED TO HAZARDS FROM HIGH SURFACE TEMPERATURES AND KEPT AWAY WHILE IN OPERATION. SMALL CHILDREN SHOULD NOT BE LEFT UNSUPERVISED WHEN IN THE ROOM WITH THE HEATER.

⚠ CAUTION: THIS HEATER SHOULD NOT BE USED AS A PRIMARY SOURCE OF HEAT.

⚠ WARNING: DO NOT CONNECT A WOOD BURNING HEATER TO A TYPE B GAS VENT. THIS IS NOT SAFE AND IS PROHIBITED BY THE NATIONAL FIRE PROTECTION ASSOCIATION CODE. THIS HEATER REQUIRES APPROVED MASONRY OR UL, ULC LISTED RESIDENTIAL TYPE AND BUILDING HEATING APPLIANCE CHIMNEY. USE A 6" DIAMETER CHIMNEY, OR LARGER, THAT IS HIGH ENOUGH TO GIVE A GOOD DRAFT.

CARBON MONOXIDE

WARNING:
⚠ WHEN USED WITHOUT ADEQUATE COMBUSTION AND VENTILATION AIR OR WITH PROHIBITED FUELS, THIS STOVE MAY GIVE OFF EXCESSIVE CARBON MONOXIDE, AN ODORLESS, POISONOUS GAS.

WARNING:
⚠ EARLY SIGNS OF CARBON MONOXIDE POISONING RESEMBLE THE FLUE, WITH HEADACHE, DIZZINESS AND/OR NAUSEA. IF YOU HAVE THESE SIGNS, STOVE MAY NOT BE WORKING PROPERLY. GET FRESH AIR AT ONCE! HAVE STOVE SERVICED.

SOME PEOPLE - PREGNANT WOMEN, PERSONS WITH HEART OR LUNG DISEASE, ANEMIA, THOSE UNDER THE INFLUENCE OF ALCOHOL, THOSE AT HIGH ALTITUDES - ARE MORE AFFECTED BY CARBON MONOXIDE THAN OTHERS.

Regardless of how safe this stove is, every fuel burning appliance creates Carbon Monoxide. It is strongly recommended to reduce risk to you and your loved ones as much as possible by installing a Carbon Monoxide detector. Follow the installation, operation, & maintenance instructions provided by the manufacturer of your detector.

SMOKE DETECTORS

Have at least 1 smoke detector on each floor of your building. Follow the installation, operation, & maintenance instructions provided by the manufacturer of your detector. Avoid nuisance alarms by not placing the detector outside the immediate vicinity of the stove. Typically a good installation location for smoke detectors is near bedrooms.

FOR MORE SAFETY INFORMATION

For auxiliary information regarding wood stove safety and operation information contact the National Fire Protection Association (NFPA) by mail at:

NFPA, Batterymarch Park, Quincy, MA 02269
or visit the NFPA website: <https://www.nfpa.org/>

CLEARANCE TO COMBUSTIBLES

(Refer to Figures 4 and 5)

The following stated clearances represent the minimum distances between the stove and any other object. No objects should encroach into this space. This includes but is not limited to carpet, furniture, children, pets, clothing, fuel, or any other object. These clearances may only be reduced by regulatory authority within United States or Canada.

⚠ CAUTION: KEEP FURNISHINGS AND OTHER COMBUSTIBLE MATERIALS AWAY FROM THE HEATER. KEEP THE AREA ADJACENT TO THE HEATER FREE FROM ALL COMBUSTIBLE MATERIALS, GASOLINE, AND OTHER FLAMMABLE VAPORS.

The stove shall not be less than 29.5 inches (74.93 cm) from a side wall and [U.S. - 11.5 inches (29.21 cm); Canada - 16.5 inches (41.91 cm)] from the back wall. The wall of a vertical vent pipe must not be less than 31 inches (78.74 cm) from a side wall and [U.S. - 13 inches (33.02 cm); Canada - 18 inches (45.7 cm)] from the back wall.

The Minimum floor-to-ceiling distance of the room is 84 inches (213.4 cm).

The minimum distance between the ceiling and the wall of any horizontal vent pipe is 18 inches (45.7 cm).

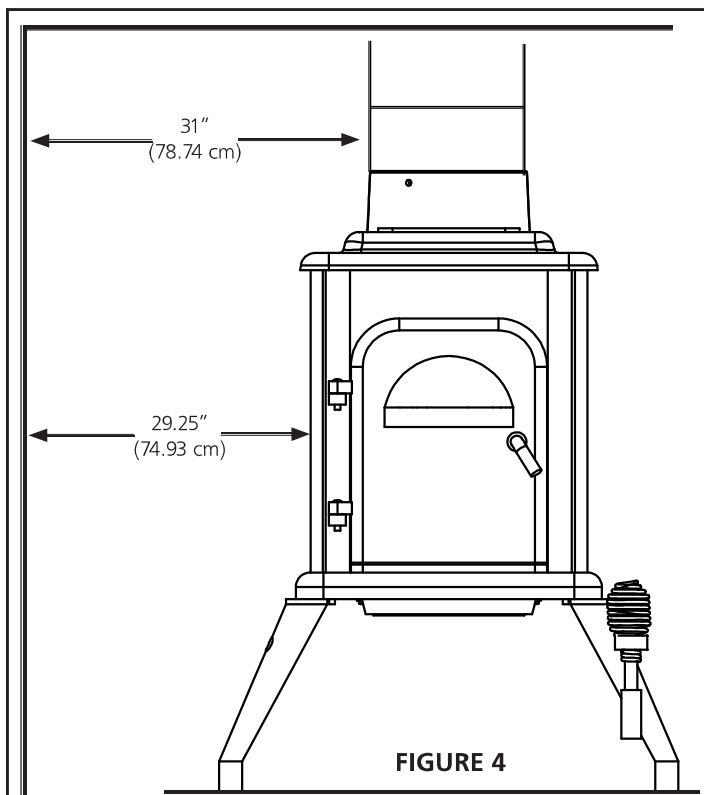


FIGURE 4

Single Burn Rate Wood Fire Stove

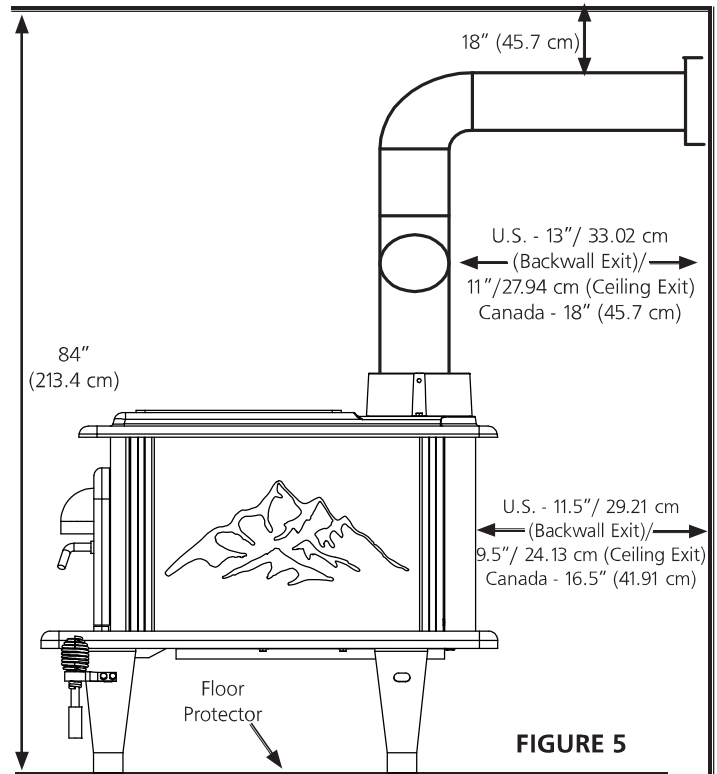


FIGURE 5

CORNER INSTALLATION (Refer to Figure 6)

The stove shall not be less than [U.S. - 15 inches (38.1 cm); Canada - 16 inches (40.6 cm)] from a corner. The wall of a vertical vent pipe must not be less than [U.S. - 17 inches (43.18 cm); Canada - 18 inches (45.7 cm)] from any corner.

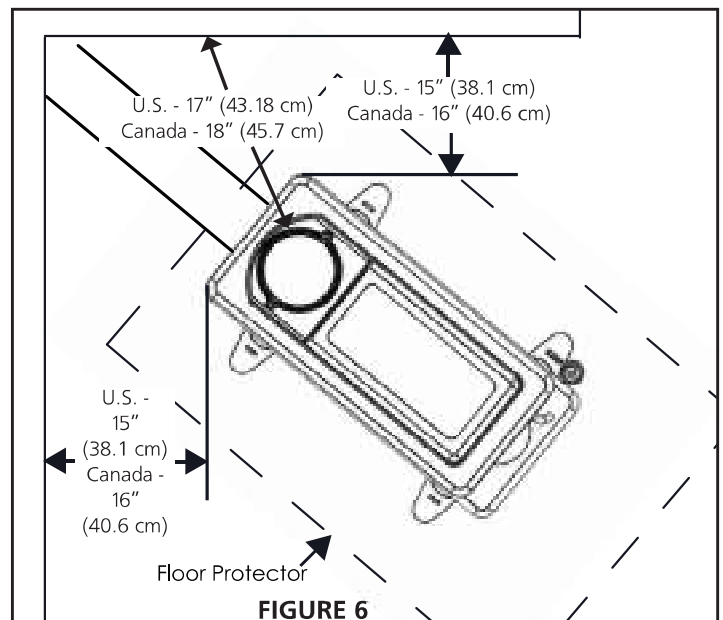
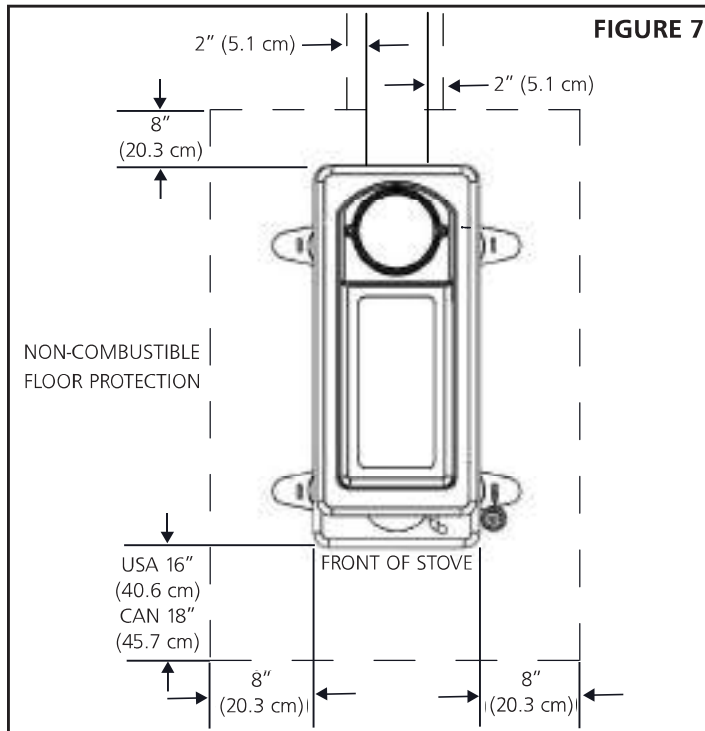


FIGURE 6

FLOORING SPACE (Refer to Figure 7)

In Canada, to comply with CSA B365, Installation Code for Solid-Fuel-Burning Appliances and Equipment, any combustible covering beneath the appliance and/or within the area extending horizontally at least 18 inches (45.7 cm) beyond the appliance on any side equipped with a door, and at least 8 inches (20.3 cm) beyond Operating Instructions and Owner's Manual

the appliance on other sides, shall be protected by a continuous, durable, non-combustible pad that will provide ember protection. The 18 inches (45.7 cm) ember protection required on any side with a door shall extend for the full width of the appliance plus the 8 inches (20.3 cm) required on each side of the appliance without a door. Where an appliance is installed less than 8 inches (20.3 cm) from a wall, the ember pad need only extend to the base of the wall. An ember pad shall not be placed on top of a carpet unless the pad is structurally supported to prevent displacement and distortion.



FLOORING MATERIAL

The stove may be installed on solid concrete or solid masonry flooring. A combustible floor must be protected with non-insulated ember board per CSA B365. Space heaters meeting the requirements of CAN/ULC-S627 are suitable for installation on a combustible floor and do not require radiant floor protection.

INSTALLATION

Take measurements of your space and plan for your chimney system as detailed in the following instructions.

⚠ WARNING: When this stove is not properly installed, a house fire may result. To reduce the risk of fire, follow the installation instructions. Contact local building or fire officials about restrictions and installation inspection requirements in your area.

⚠ CAUTION: ANY DEVIATION OR ALTERATION FROM THESE INSTALLATION INSTRUCTIONS MAY RESULT IN DAMAGE TO YOU, THE STOVE, YOUR CHIMNEY, AND YOUR HOME. YOUR WARRANTY MAY BECOME VOID. READ AND FOLLOW ALL INSTRUCTIONS. Contact Enerco Group with any comments, concerns, or questions.

POSITIONING THE STOVE

When deciding on a location for the stove, choose a location that will favor the most efficient heat distribution possible throughout the house. Install the stove in the room where the most time is spent and in the most spacious room possible. A stove installed in an open living room will have a higher efficiency than one placed in a basement or outdoors in sub-freezing temperatures. Burning dry wood will also make the stove more efficient than burning wet wood.

- When deciding on the position and orientation of the stove, be sure to obey all clearance to combustibles in Figures 4-6.
- Locate the floor protector accordingly (See Figure 7) and carefully place the stove on smooth level floor and not raised up.
- Install stovepipe, elbows, and thimble as necessary, utilizing either a recently cleaned and inspected masonry chimney (properly lined) or a UL, ULC Listed chimney.
- Ensure that the fixed flue baffle that is provided is installed in the flue collar. This baffle is intended to be in a fixed location for optimal combustion. Do not remove or alter the location of this baffle. It is against federal regulations and will void the warranty.
- Refer to Figures 4 through 6 and be sure to have the clearances shown from the heater and the connector pipe to combustible surfaces. If there is a solid brick or stone wall behind the heater, please consult the local building code for specific regulations that may apply in the area. However, if the wall is only faced with brick or stone, consider it a combustible wall. To reduce flue clearances from combustible materials, contact the local safety department.
- The chimney connection should be as short as possible, and the heater must have its own flue.

DO NOT CONNECT THIS UNIT TO A CHIMNEY FLUE SERVING OTHER APPLIANCES.

- DO NOT install this stove in a mobile home, trailer or a structure constructed on skids or running gear.
- DO NOT install in a factory-built fireplace.

⚠ WARNING: DO NOT INSTALL NEAR EXITS OR STAIRS. ENSURE STOVE CAN NOT BLOCK AN EVACUATION IN THE EVENT OF A FIRE.

CHIMNEY CONNECTORS REQUIREMENTS AND INSTALLATION

If you have any questions regarding ventilation options of your stove, contact either:

- The manufacturer Enerco Group Company at 1-800-251-0001. Our office hours are 8:00 AM – 5:00 PM, EST, Monday through Friday.
- The National Fire Protection Association (NFPA) and request a copy of the latest editions of NFPA Standard 211 and NFPA Standard 908. The mailing address of the NFPA is Battery March Park, Quincy, MA 02269.

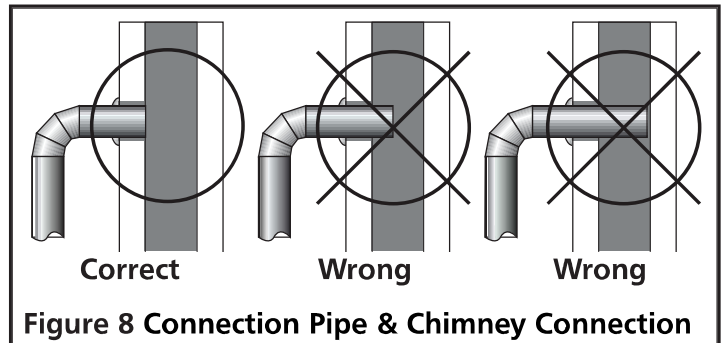
This room heater must be connected to a chimney complying with the requirements for Type HT chimneys in the Standard for Chimneys, Factory-Built, Residential Type and Building Heating Appliance, UL 103, or a code-approved masonry chimney with a flue liner. Carefully follow the chimney manufacturer's instructions. Use only listed type HT per UL 103, ULC, 6-in diameter black or blued chimney connector, minimum 24 gauge steel. If your chimney starts at the ceiling, you will need enough 6" pipe to reach the ceiling. The top of the chimney must be at least 3 feet above the roof and be at least 2 feet higher than any point of the roof within 10 feet. Use double or triple wall pipe for the exterior portion of the chimney.

The following venting pipe precautions need to be adhered to:

- The crimped end of the pipe must be installed toward the heater. The pipe should slide into the flue collar. The pipe should be firmly attached to the flue collar with 3 screws and sealed with furnace cement.
- At least 2 feet (61 cm) of vertical pipe coming out of the stove is required, at minimum before the system is permitted to have a horizontal section of venting.

NOTE: Do not install the chimney directly at the outlet of the appliance. A chimney connector (flue pipe) is required unless the appliance is specifically approved for that type of installation.

- Horizontal vent pipe must be sloped downward away from the chimney 1/4" (0.6 cm) for every 1' (0.3m).
- Minimum clearance between the highest point of horizontal vent pipe and the ceiling is 18" (45.7 cm).
- The pipe cannot extend into the chimney flue.



- Seal each connector pipe joint with furnace cement. Also, seal the pipe at the chimney ensuring it is airtight. Seal the inside with high-temperature silicone and the outside with high-temperature tape.
- Use 3 sheet metal screws at each joint to make the piping rigid.
- A total of two (2) elbows are permitted for venting installation. Do not exceed two elbows as this may result in inadequate draft and cause leakage of smoke. When using elbows the integrity of the draft can be best protected by using non adjustable corrugated elbows.

⚠ CAUTION: A CHIMNEY CONNECTOR SHALL NOT PASS THROUGH AN ATTIC OR ROOF SPACE, CLOSET OR SIMILAR CONCEALED SPACE, OR A FLOOR, OR CEILING. WHERE PASSAGE THROUGH A WALL, OR PARTITION OF COMBUSTIBLE CONSTRUCTION IS DESIRED, THE INSTALLATION SHALL CONFORM TO CAN/CSA-B365, INSTALLATION CODE FOR SOLID-FUEL-BURNING APPLIANCES AND EQUIPMENT.

⚠ CAUTION: DO NOT CONNECT THIS UNIT TO A CHIMNEY FLUE SERVING ANOTHER APPLIANCE.

⚠ CAUTION: DO NOT CONNECT TO OR USE IN CONJUNCTION WITH ANY AIR DISTRIBUTION DUCTWORK UNLESS SPECIFICALLY APPROVED FOR SUCH INSTALLATIONS.

Where passage through a wall or partition of combustible construction is desired, the installation shall conform to chimney manufacturer's instructions.

CONNECTION OF CHIMNEY CONNECTOR TO A MASONRY CHIMNEY THROUGH A COMBUSTIBLE WALL

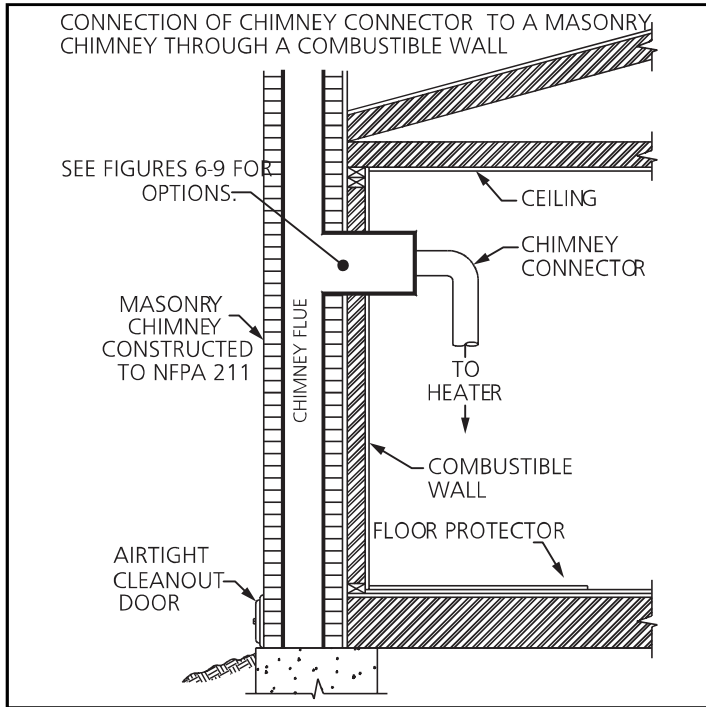


FIGURE 9
The figures in this manual show how to connect the chimney connector of a heater to a masonry chimney through a combustible wall. There are five allowable ways that a chimney connector can be connected to a masonry chimney by passing through a combustible wall. NFPA Standard 211 allows the following wall pass-through systems:

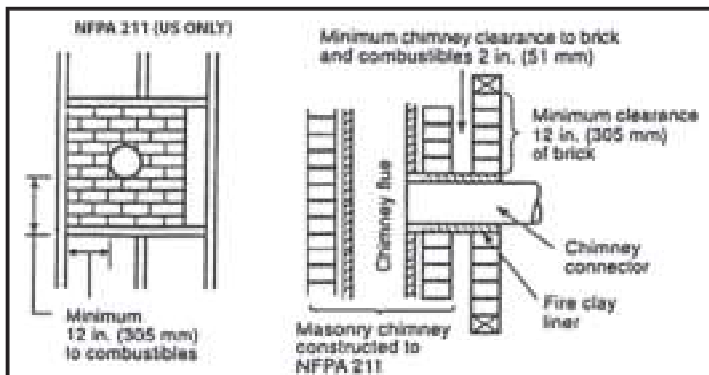


Figure 10
Minimum 3.5 inch (89 mm) thick brick masonry all framed into combustible wall. A fireclay liner (ASTM C315 or equivalent) having a 5/8" minimum wall thickness must be used and it must be at least 12" away from any material that could catch fire. The inside diameter of the fireclay liner shall be sized for the proper snug fit of a 6" diameter chimney connector pipe. The fireclay liner shall run from outer surface of brick wall to, but not beyond, the inner surface of chimney flue liner and shall be firmly cemented in place.

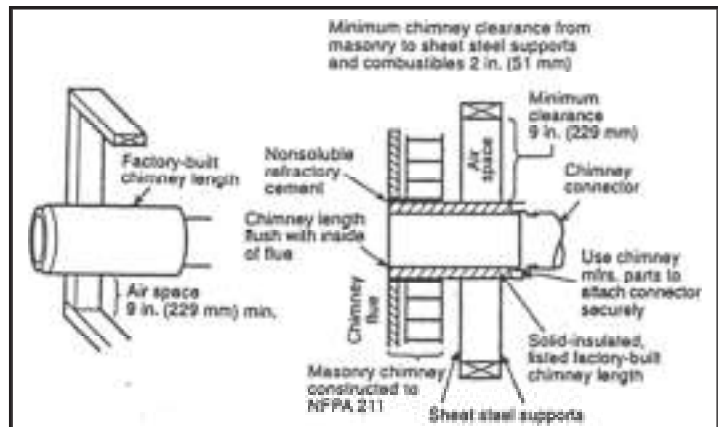


Figure 11
Use a solid insulated listed factory-built chimney length having an inside diameter of 6" and 1" or more of solid insulation. There must be at least a 9" air space between the outer wall of the chimney length and any combustible materials. The inner end of the chimney length shall be flush with the inside of the masonry chimney, the flue shall be sealed to the flue and to the brick masonry penetration with non-water-soluble refractory cement. Sheet steel supports which are at least 24 gauge (0.024") in thickness shall be securely fastened to wall surfaces on all sides. Fasteners between supports and the chimney length shall not penetrate the chimney liner.

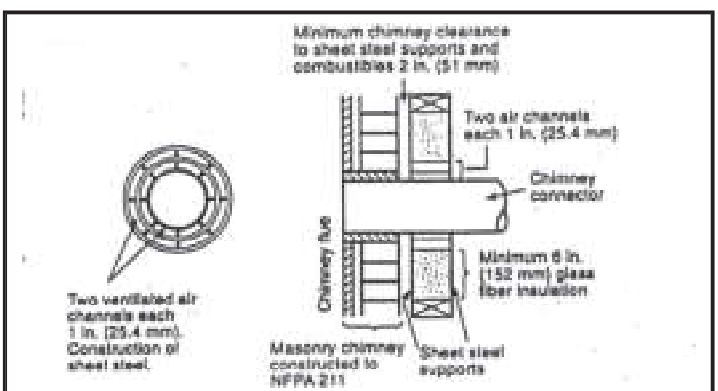


Figure 12
Use a 10" diameter ventilated thimble made of at least 24 gauge (0.024") steel having two 1" air channels. The ventilated thimble must be separated from combustible materials by a minimum of 6" glass fiber insulation. The opening in the combustible wall shall be covered and the thimble supported with sheet steel supports which are at least 24 gauge (0.024") in thickness. The sheet steel supports shall be securely fastened to wall surfaces on all sides and shall be sized to fit and hold the chimney section. Fasteners used to secure chimney sections shall not penetrate chimney flue liner.

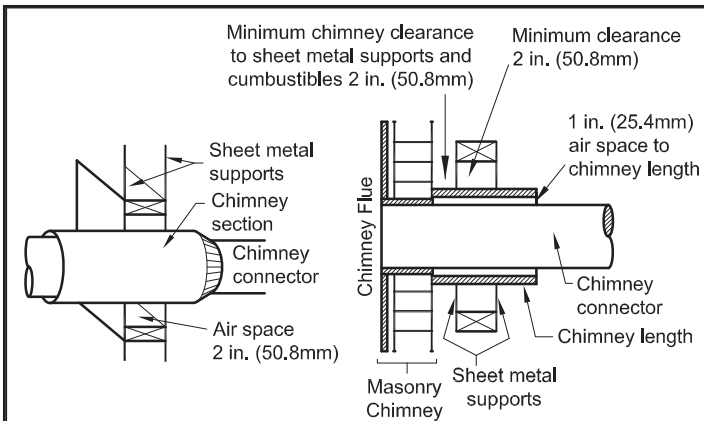


Figure 13

Use an 8" inside diameter solid insulated listed factory-built chimney length which has 1" or more of solid insulation. The minimum length of this chimney section shall be 12" and will serve as a pass-through for the 6" diameter chimney connector. There must be at least a 12" air space between the outer wall of the chimney section and any combustible materials. The chimney section shall be concentric with and spaced 1" away from the chimney connector by means of sheet steel support plates on both ends of the chimney section. The opening in the combustible wall shall be covered and the chimney section supported on both sides with sheet steel supports which are at least 24 gauge (0.024") in thickness. The sheet steel supports shall be securely fastened to wall surfaces on all sides and shall be sized to fit and hold the chimney sections. Fasteners used to secure chimney sections shall not penetrate chimney flue liner.

2. All clearances and thicknesses are minimums: larger clearances and thickness are acceptable.
3. A chimney thimble, as shown for 3" and 4" above (Figures 12 and 13) shall be for types "3" and 4" connections to facilitate removal of the chimney connector for cleaning. The chimney thimble shall be of ASTM C315 fireclay with 5/8" minimum wall thickness, or material of equivalent durability. The inside diameter of the thimble shall be sized for the proper snug fit of a 6" diameter chimney connector pipe. The thimble shall be installed without damage to the chimney flue. The thimble shall extend through the chimney wall to, but not beyond, the inner surface of the chimney flue and shall be permanently cemented in place with high temperature cement.
4. A chimney connector to a masonry chimney, except for 2" above (Figure 11), shall extend through the wall pass-through system to the inner face of the chimney flue, but not beyond. It does not have to be fastened in place so long as it cannot accidentally be pulled out of the chimney or shoved into the chimney flue. If fasteners are used to secure the chimney connector to a masonry chimney, the fasteners shall not penetrate the chimney flue liner.
5. Any material used to close up any opening for the connector shall be noncombustible.

CONNECTION OF CHIMNEY CONNECTOR TO A MASONRY CHIMNEY WHEN CHIMNEY CONNECTOR DOES NOT PASS THROUGH A COMBUSTIBLE WALL

If the chimney connector does not have to pass through a combustible wall to get to a masonry chimney, simply connect the chimney connector directly to the masonry chimney's chimney thimble as described and shown in Figures 12 and 13. Remember, the chimney connector should extend into the chimney thimble to the inner face of the chimney flue but not beyond. If the chimney connector is extended through the chimney thimble into the chimney flue, resistance to the flow of smoke and gases up the chimney will occur, which will have an adverse effect on the operation and performance of the heater and venting system.

A listed factory-built wall pass-through system may be purchased and installed according to the instructions pack aged with it to provide a safe method of passing the chimney connector through a combustible wall for connection to a masonry chimney.

NOTE: For Canadian residential homes or structures installations, where passage through a wall, or partition of combustible construction is desired, the installation must conform to CAN/CSA-B365.

ADDITIONAL REQUIREMENTS

1. Insulation material used as part of wall pass-through system shall be of noncombustible material and shall have a thermal conductivity of 1.0 Btu • in./ft.2 • °F (4.88 kg • cal/hr • m2 • °C) or less.

CHIMNEY REQUIREMENTS

GENERAL

⚠ CAUTION: DO NOT USE MAKESHIFT COMPROMISES WHEN INSTALLING THE VENTING SYSTEM; HAVE EXISTING CHIMNEY SYSTEMS INSPECTED BEFORE USE AND BE CERTAIN ALL NEW CHIMNEY SYSTEMS ARE INSTALLED TO THE MANUFACTURER'S SPECIFICATIONS AND WITH ONLY UL LISTED COMPONENTS (ULC IF CANADA).

For the sake of exhausting combustion products and also establishing a draft which provides oxygen for combustion, the stove must be installed for use in conjunction with one of the following approved chimney systems:

LINED MASONRY CHIMNEY

The masonry chimney must be code approved and have a flue liner. The masonry chimney must comply with CAN/ULC-S629 codes. The installation must conform to local fire codes, and NFPA 211(USA) or CAN/CSAB365-M91 (Canada).

1. Clean the code-approved lined masonry chimney.
2. Inspect the lining of the chimney and make any required repairs.
3. If the connection piping from the stove to a masonry chimney is made through a combustible wall, consult a qualified mason or chimney dealer for consultation. To ensure safety, the installation should only be done by a qualified installer. The installation must conform to the regulations established by local fire codes and building codes.
4. Do not connect this heater into the same chimney flue as the fireplace or flue from another heater. The chimney used for a heater must not be used to ventilate the cellar or basement.
5. If there is an opening at the base of the chimney it must be closed tightly.

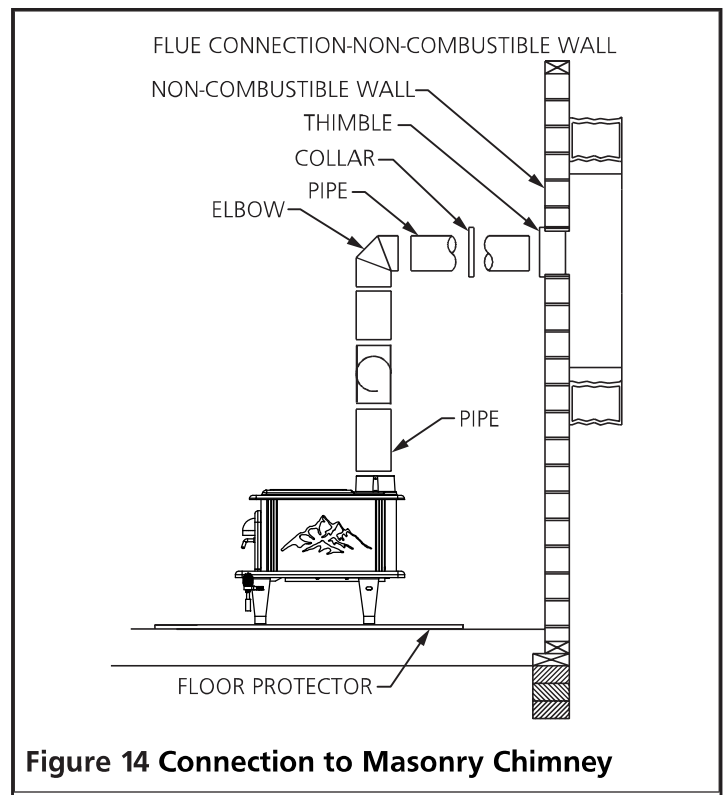


Figure 14 Connection to Masonry Chimney

MANUFACTURED CHIMNEY

⚠ WARNING: DO NOT USE SINGLE-WALL CONNECTION PIPE AS A CHIMNEY.

- Carefully follow the chimney manufacturer's instructions.
- Use only listed type HT per UL 103, ULC, 6-in diameter black or blued chimney connector, minimum 24 gauge steel.
- If your chimney starts at the ceiling, you will need enough 6" pipe to reach the ceiling.
- The top of the chimney must be at least 3 feet above the roof and be at least 2 feet higher than any point of the roof within 10 feet.
- Use double or triple wall pipe for the exterior portion of the chimney.
- Contact your local building authority for approved methods of installation and any necessary permits and/or inspections.

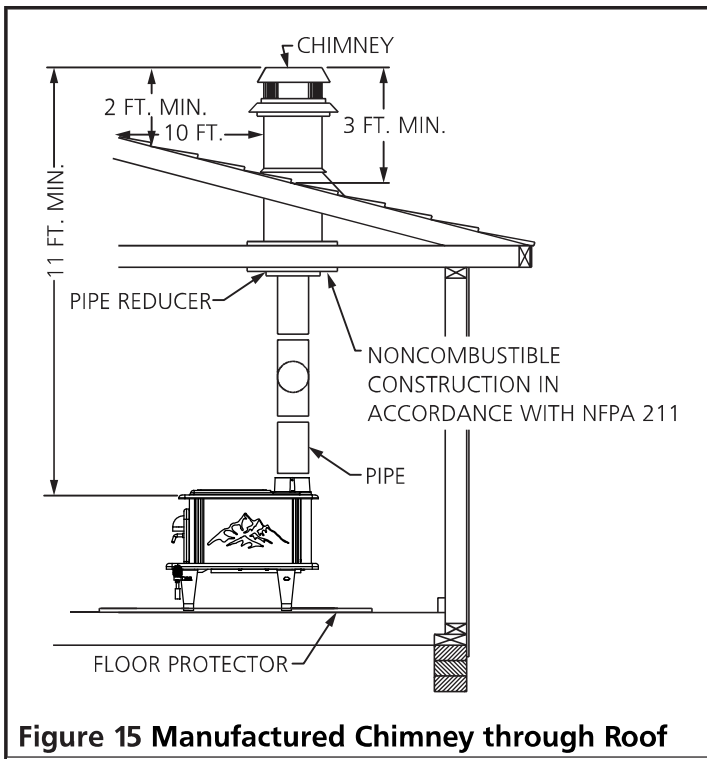


Figure 15 Manufactured Chimney through Roof

CHIMNEY VENTILATION AND AIR CIRCULATION

Draft is the force which moves air from the appliance up through the chimney. The amount of draft in your chimney depends on the length of the chimney, local geography, nearby obstructions and other factors. Too much draft may cause excessive temperatures in the appliance. Inadequate draft may cause backpuffing into the room and 'plugging' of the chimney.

Inadequate draft will also cause the appliance to leak smoke into the room through appliance and chimney connector joints.

An uncontrollable burn or excessive temperature indicates excessive draft.

Please be mindful of installation location: Inversion and other air quality issues can arise in valleys or if unit is installed close to neighboring homes. To achieve and maintain the draft:

- Obey all chimney requirements.
- Seal any and all connections of intake and exhaust piping.
- Avoid elbows and long horizontal runs of piping.
- Clean exhaust piping frequently.
- If another appliance is venting air outside and creating a negative pressure, air can be sucked down your chimney in the reverse direction instead of exhausting out of the heater. Nullify that effect by opening a nearby door or window.

⚠ WARNING: Additional combustion air should be provided from the outdoors if these or other indications of room air starvation suggest the need for adequate ventilation:

- The solid-fuel-fired appliance does not draw steadily, experiences smoke roll-out, burns poorly, or back-drafts whether or not there is combustion present.
- Existing fuel-fired equipment in the house, such as fireplaces or other heating appliances, smell, do not operate properly, suffer smoke roll-out when opened, or back-draft, whether or not there is combustion present.
- Any of the above symptoms are alleviated by opening a window slightly on a calm (windless) day.
- The house is equipped with a well-sealed vapor barrier and tight fitting windows and/or has any powered devices which exhaust house air.
- There is excessive condensation on windows in the winter and
- A ventilation system is stalled in the house.

CHIMNEY OPERATION TIPS

Do not expect a heater to draw. It is the chimney that creates the draft. Smoke spillage into the house or excessive buildup of water or creosote in the chimney are warnings that the chimney is not functioning properly.

Correct problem before using heater. Possible causes are:

1. The connector pipe may push into the chimney too far, stopping the draft.
2. Do not connect two heaters into the same chimney flue.
3. The chimney used for a heater must not be used to ventilate the cellar or basement. If there is a cleanout opening at the base of the chimney, it must be closed tightly.
4. If the chimney is operating too cool, water will condense in the chimney and run back into the stove. Creosote formation will be rapid and may block the chimney. Operate the heater at a high enough fire to keep the chimney warm preventing this condensation.

5. If the fire burns well but sometimes smokes or burns slowly, it may be caused by the chimney top being lower than another part of the house or a nearby tree. The wind blowing over a house or tree, falls on top of the chimney like water over a dam, beating down the smoke. The top of the chimney should be at least 3 feet above the roof and be at least 2 feet higher than any point of the roof within 10 feet.

⚠ CAUTION: A CHIMNEY FIRE MAY CAUSE IGNITION OF WALL STUDS OR RAFTERS WHICH WERE ASSUMED TO BE A SAFE DISTANCE FROM THE CHIMNEY. IF A CHIMNEY FIRE HAS OCCURRED, HAVE YOUR CHIMNEY INSPECTED BY A QUALIFIED EXPERT BEFORE USING AGAIN.

OPERATION

⚠ CAUTION:

- **HOT WHILE IN OPERATION. KEEP CHILDREN, CLOTHING AND FURNITURE AWAY. CONTACT MAY CAUSE SKIN BURNS.**
- **DO NOT BURN GARBAGE OR FLAMMABLE FLUIDS SUCH AS GASOLINE, NAPHTHA OR ENGINE OIL.**
- **NEVER USE GASOLINE, GASOLINE-TYPE LANTERN FUEL, KEROSENE, CHARCOAL LIGHTER FLUID, OR SIMILAR LIQUIDS TO START OR "FRESHEN UP" A FIRE IN THE HEATER. KEEP ALL SUCH LIQUIDS WELL AWAY FROM THE HEATER WHILE IT IS IN USE.**
- **OVERFIRING THE APPLIANCE MAY CAUSE A HOUSE FIRE. IF A UNIT OR CHIMNEY CONNECTOR GLOWS, YOU ARE OVERFIRING.**

⚠ WARNING: NEVER STORE FLAMMABLE LIQUIDS, ESPECIALLY GASOLINE. IN THE VICINITY OF THE HEATER. DO NOT OBSTRUCT THE SPACE BENEATH THE HEATER. NEVER OPERATE THIS HEATER WITH THE FUEL DOOR OPEN. USE ONLY THE LEGS PROVIDED WITH THIS HEATER. REFER TO THE "INSTALLATION" SECTION OF THIS MANUAL.

APPROVED FUEL:

⚠ CAUTION: USE WOOD OR WOOD-LIKE MATERIALS ONLY. DO NOT USE COAL OR CHARCOAL. COAL OR CHARCOAL WILL DESTROY THE FIREBOX. DO NOT USE DRIED LUMBER OR TREATED WOOD.

⚠ WARNING: BURNING FUELS OTHER THAN CRIBWOOD, PARTICULARLY COAL AND CHARCOAL, CAN RESULT IN HAZARDOUS CONCENTRATIONS OF CARBON MONOXIDE BEING EMITTED INTO THE DWELLING. FOR THESE REASONS, NEVER BURN COAL OR CHARCOAL IN THIS CRIBWOOD STOVE. INSTALLING A CARBON MONOXIDE DETECTOR AND BEING AWARE OF THE SYMPTOMS OF CARBON MONOXIDE POISONING CAN HELP REDUCE THE RISK OF CARBON MONOXIDE RELATED ISSUES.

⚠ CAUTION: NEVER ATTEMPT TO USE ANY OF THE FOLLOWING MATERIALS AS FUEL:

- Unseasoned wood (green, wet, or freshly cut wood);
- Railroad ties or pressure treated wood;
- Paper products, cardboard, or particleboard;
- Salt water driftwood or other previously salt water saturated materials;
- Construction or demolition debris
- Garbage;
- Animal remains or manures;
- Lawn clippings or yard waste;
- Waste petroleum products,
- Materials containing
 - asbestos
 - plastic
 - rubber (including tires)
- Petroleum products such as
 - paints
 - paint thinners
 - asphalt products

Burning these materials may result in release of toxic fumes or render the heater ineffective and cause smoke.

The operation of this wood heater in a manner inconsistent with the owner's manual will void your warranty and is also against federal regulations.

⚠ CAUTION: BURN UNTREATED WOOD ONLY. OTHER MATERIALS SUCH AS WOOD PRESERVATIVES, METAL FOILS, COAL, PLASTIC, GARBAGE, SULPHUR, OR OIL, MAY DAMAGE THE STOVE.

- Your wood stove was designed to burn well seasoned natural wood only; no other materials should be burned. Any type of well seasoned natural wood may be used in your stove, but specific varieties have better energy yields than others. Higher efficiencies and lower emissions generally result when burning air dried, seasoned hardwoods, as compared to softwoods or too green or freshly cut hardwoods.
- Deadwood lying on the forest floor should be considered wet and requires full seasoning time. Standing deadwood can usually be considered to be about 2/3 seasoned.
- Smaller pieces of wood will dry faster. All logs exceeding 6" in diameter should be split.
- The wood should not be stored directly on the ground. Air should circulate through the logs. A 24" to 48" air space should be left between each row of logs, which should be placed in the sunniest location possible. The upper layer of wood should be protected from the element but not the sides. A good indicator of if the wood is ready to burn is to check the piece ends. If cracks are radiating in all directions from the center then the wood should be dry enough to burn.
- If your wood sizzles in the fire, even though the surface is dry, it may not be fully cured and should be seasoned longer.
- It is **EXTREMELY IMPORTANT** that you use **DRY WOOD** only in your wood stove. The wood should have dried for 9 to 15 months, such that the humidity content (in weight) is reduced below 20% of the weight of the log.
- It is very important to keep in mind that even if the wood has been cut for one, two, or even more years, it is not necessarily dry, if it has been stored in poor conditions. Under extreme conditions, it may rot instead of drying.
- The vast majority of the problems related to the operation of a wood stove is caused by the fact that the wood used was too damp or had dried in poor conditions.

⚠ CAUTION: Attempts to use wet or unseasoned wood will result in:

- **Ignition difficulty.**
- **Accelerated creosote build-up resulting in chimney fire.**
- **Incomplete combustion.**
- **Blackened windows**
- **Low heat yield.**

Do not burn manufactured logs made of wax impregnated sawdust or logs with any chemical additives. Manufactured logs made of 100% compressed sawdust can be burned, but be careful burning too much of these logs at the same time. Start with one manufactured log and see how the stove reacts. You can increase the number of logs burned at a time but make sure the temperature never rises higher than 475°F (246°C) on a magnetic thermometer for installation on single wall stove pipes or 900°F (482°C) on a probe thermometer for installation on double wall stove pipe. The thermometer should be placed about 18" (45.7 cm) above the stove. Higher temperatures can lead to overheat and damage your stove.

Some fire starters may be used at the very beginning to help wood catch fire. Examples of potentially effective fire starters include paper wads, cardboard, saw dust, wax, and similar products marketed explicitly for the purpose of starting fires. Burning these materials may result in the release of toxic fumes, rendering the stove ineffective, and causing smoke. Research and understand the guidelines and risks for your chosen fire starter(s).

Do not store fire wood or fire starting materials on floor protector, underneath stovepipe, anywhere withing minimum clearances from combustibile surfaces specified on page 6 or the space required for charging and ash removal.

Wood should be stored in a dry, well ventilated area.

OPERATING PRECAUTIONS

⚠ WARNING: THIS UNIT WAS DESIGNED FOR OPERATION ONLY WITH THE DOOR CLOSED AND TIGHTLY LATCHED. OPERATING THIS UNIT WITH THE DOOR LATCHED LOOSELY OR OPEN WILL ALLOW EXCESSIVE COMBUSTION AIR TO REACH THE FIRE AND WILL RESULT IN DANGEROUSLY HIGH UNIT TEMPERATURES. HIGH UNIT TEMPERATURES "OVERFIRING" CAN DAMAGE THE UNIT, VOID THE WARRANTY OR IGNITE CREOSOTE DEPOSITED IN THE CHIMNEY SYSTEM BY PREVIOUS, SLOW BURNING FIRES.

⚠ CAUTION:

- **NEVER OVERFIRE THIS APPLIANCE BY BUILDING EXCESSIVELY HOT FIRES AS A HOUSE/BUILDING FIRE MAY RESULT. YOU ARE OVERFIRING THE APPLIANCE IF IT BEGINS TO GLOW OR TURN RED.**
- **DO NOT USE CHEMICALS OR FLUIDS TO START THE FIRE.**
- **NEVER BUILD EXCESSIVELY LARGE FIRES IN THIS TYPE OF APPLIANCE AS DAMAGE TO THE FIREBOX OR SMOKE LEAKAGE MAY RESULT.**
- **HOT WHILE IN OPERATION. KEEP CHILDREN, CLOTHING, AND FURNITURE AWAY. CONTACT MAY CAUSE SKIN BURNS. DO NOT TOUCH THE APPLIANCE UNTIL IT HAS COOLED.**
- **PROVIDE ADEQUATE AIR FOR COMBUSTION TO THE ROOM WHERE THE APPLIANCE IS INSTALLED.**
- **INSPECT CHIMNEY LINER EVERY 60 DAYS. REPLACE LINER IMMEDIATELY IF IT IS RUSTING OR LEAKING SMOKE INTO THE ROOM.**
- **ATTEMPTS TO ACHIEVE HEAT OUTPUT RATES THAT EXCEED HEATER DESIGN SPECIFICATIONS CAN RESULT IN PERMANENT DAMAGE TO THE HEATER.**

TAMPER WARNING

This wood heater has a manufacturer-set minimum low burn rate that must not be altered. It is against federal regulations to alter this setting or otherwise operate this wood heater in a manner inconsistent with operating instructions in this manual.

EFFICIENCIES

- Efficiencies can be based on either the lower heating value (LHV) or the higher heating value (HHV) of the fuel.
- The lower heating value is when water leaves the combustion process as a vapor, in the case of woodstoves the moisture in the wood being burned leaves the stove as a vapor.
- The higher heating value is when water leaves the combustion process completely condensed.
- In the case of wood stoves, this would assume the exhaust gases are room temperature when leaving the system, and therefore calculations using this heating value consider the heat going up the chimney as lost energy.
- Therefore, efficiency calculated using the lower heating value of wood will be higher than efficiency calculated using the higher heating value. The best way to achieve optimum efficiencies is to learn the burn characteristic of your appliance and burn well-seasoned wood.
- Higher burn rates are not always the best heating burn rates; after a good fire is established a lower burn rate may be a better option for efficient heating. A lower burn rate slows the flow of usable heat out of the home through the chimney, and it also consumes less wood.

PAINT CURING

NOTE: BECAUSE OF HIGH OPERATING TEMPERATURES, THIS STOVE USES A SPECIAL HIGH-TEMPERATURE PAINT. TO ENABLE THE PAINT TO BOND DURABLY TO THE STOVE, FOLLOW THE FOLLOWING PROCEDURE:

1. Build a small fire at a low temperature (250°F) in the stove for 20 minutes.
2. Build another small fire again at a low temperature (250°F) in the stove which lasts 20 minutes.
3. Build a final fire at a temperature of approximately 500°F in the stove which lasts 20 minutes.

The paint curing process is now complete. Provide cross ventilation to eliminate odors or smoke caused by curing process.

Notice: Use solid wood fuel only! Do not burn garbage, or flammable fluids. Do not use coal. This appliance is not designed to accommodate the air flow (draft) required to properly burn coal or coal products. Do not elevate the fire using grates or irons. Build the fire directly on the firebrick.

BUILDING A FIRE

⚠ CAUTION: WHEN TENDING THE STOVE ALWAYS WEAR FIRE RETARDANT CLOTHING AND PROTECTIVE EYEWARE.

KINDLING

1. Start with a large piece of paper, or 2-3 sheets of newspaper in the bottom of the stove.
2. Add roughly 4 lbs of thinly cut 6" pieces of Douglas fir strips to the top of the paper, see image Figure 16 below for how to stack kindling.



Figure 16

3. Ignite the paper for roughly 10-20 seconds.
4. Leave the door partially open to allow air to flow and ignite the Douglas fir. Once lit, close the door.
5. After kindling burns down to about 1.1lbs, insert 4-5 more lbs of kindling.
6. Close the door immediately and let burn down to 1.1lbs.

⚠ WARNING:

- **NEVER OVERFIRE YOUR STOVE. IF ANY PART OF THE STOVE STARTS TO GLOW RED, OVER FIRING IS HAPPENING.**
- **THE INSTALLATION OF A LOG CRADLE OR GRATES IS NOT RECOMMENDED IN YOUR WOOD STOVE. BUILD FIRE DIRECTLY ON STOVE BOTTOM.**
- **KEEP DOOR CLOSED AND MAINTAIN ALL SEAL IN GOOD CONDITION.**
- **ATTEMPTS TO ACHIEVE HEAT OUTPUT RATES THAT EXCEED HEATER DESIGN SPECIFICATIONS CAN RESULT IN PERMANENT DAMAGE TO THE HEATER.**

PRE-BURN

1. Once kindling has burned down to 1.1lbs, break up the kindling to build a proper coal bed as shown in Figure 18 below and insert the preload.
NOTE: Preload consists of three 16.25" 2x4s on the bottom, and five 7.125" 2x4s on the top. Preload will look like Figure 17 below.



Figure 17

Figure 18

2. Let the preload burn down to 5.5lbs (>15 mins before loading the load) before opening the door to quickly stir the preload.
3. Let the preload burn down to the low bracket of load weight insertion (20% of the load weight).
4. At 20% of the load weight open the door and break up the remaining pieces to build a proper coal bed, then insert the load.

LOAD

1. At 20% of the load weight in the pre-burn, break the pieces for the coal bed and add the load; close the door immediately.

IMPORTANT: Breaking the coal bed and the insertion of the load must be under 60 seconds. See Figure 19 below for proper loading configuration outside and inside stove.

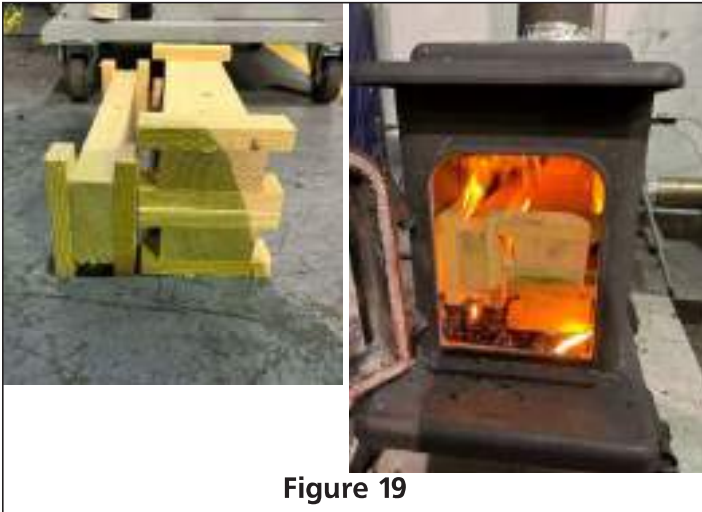


Figure 19

IMPORTANT: When closing the door, be sure there is no debris between the door and door frame otherwise the gasket will get damaged.

IMPORTANT: When adding wood, be careful not to smother the fire. Make sure the embers do not obstruct the air inlet. Do not add more wood until the prior wood load has burned down to embers. Following these steps, your stove will achieve the cleanest emissions burn, plus will prevent over-firing of your stove.

TESTING WOOD

- When the stove is thoroughly warmed, place one piece of split wood (about five inches in diameter) parallel to the door on the bed of red embers.
- Close the door. If the wood ignites within 90 seconds from the time it was placed in the stove, your wood is correctly dried. If ignition takes longer, your wood is damp.
- If your wood hisses and water or vapor escapes at the ends of the piece, your wood is soaked or freshly cut (green). Do not use this wood in your stove. Large amounts of creosote could be deposited in your chimney, creating potential conditions for a chimney fire.

OPERATION NOTES

⚠ CAUTION: DO NOT OVERFIRE APPLIANCE. YOU ARE OVERFIRING IF ANY PART OF THE APPLIANCE GLOWS RED. CLOSE THE DOOR TO REDUCE THE AIR SUPPLY AND SLOW DOWN THE FIRE.

- The amount of visible smoke being produced can be an effective method of determining how efficiently the combustion process is taking place in the given settings.
- Visible smoke consists of unburned fuel and moisture leaving your stove. Learn to adjust the air settings of your specific unit to produce the smallest amount of visible smoke. Wood that has not been seasoned properly and has a high wood moisture content will produce excess visible smoke and burn poorly.
- The air tubes assembled in this unit are designed to provide an accurate mix of secondary air to ensure the highest efficiency. Any damage or deterioration of these tubes may reduce the efficiency of combustion.
- Burning wood naturally produces smoke and carbon monoxide(CO) emissions. CO is a poisonous gas when exposed to elevated concentrations for extended periods. While the modern combustion systems in heaters drastically reduce the amount of CO emitted out the chimney, exposure to the gases in closed or confined areas can be dangerous. Make sure your stove gaskets and chimney joints are in good working order and sealing properly to ensure unintended exposure. It is recommended that you use both smoke and CO monitors in areas having the potential to generate CO.

MINIMIZING CREOSOTE FORMATION

⚠ CAUTION: SLOW BURNING FIRES FOR EXTENDED USE OR BURNING GREEN WOOD MAY CAUSE EXCESSIVE CREOSOTE BUILD-UP. IGNITION OF CREOSOTE OR OVERFIRING COULD CAUSE A CHIMNEY FIRE. CHIMNEY FIRES BURN EXTREMELY HOT AND MAY IGNITE SURROUNDING COMBUSTIBLE MATERIALS. IN CASE OF A CHIMNEY FIRE, CALL THE FIRE DEPARTMENT IMMEDIATELY!

See "MAINTENANCE" on page 18 for an explanation on Creosote formation and removal. To slow the build up of creosote within your chimney, comply with the following guidelines:

- Burn only the recommended fuel "APPROVED FUEL" on page 13.
- Do not mix green or wet wood with the approved fuel. Wood that does not ignite but instead hisses, sizzles, and blackens is definitely too wet. It will cause accelerated creosote build up in chimney and will also reduce the heat output of the stove.
- Always check for creosote deposit once every two months and have your chimney cleaned at least once a year.
- If a chimney or creosote fire occurs DO NOT open the door keep the door closed. Wait for the fire to go out and the heater to cool, then inspect the chimney for damage. If no damage results, perform a chimney cleaning to ensure no more creosote deposits are remaining in the chimney.

⚠ CAUTION: A CHIMNEY FIRE MAY CAUSE IGNITION OF WALL STUDS OR RAFTERS WHICH WERE ASSUMED TO BE A SAFE DISTANCE AWAY FROM THE CHIMNEY. IF A CHIMNEY FIRE OCCURS, HAVE YOUR CHIMNEY INSPECTED BY A QUALIFIED EXPERT BEFORE USING AGAIN.

DISPOSAL OF ASHES

Whenever ash accumulates within the fire box or ash pan to a height of 3-4 inches:

1. After ashes have cooled, remove excess ashes and empty into a suitable container.
NOTE: You may also purchase a Ash Vacuum, model# AV65GALB/AV65GALSS.

2. Leave an ash bed approximately 1 inch deep on the firebox bottom to help maintain a hot charcoal bed.
3. Ashes should be placed in a metal container with a tight fitting lid and moved outdoors immediately. The closed container of ashes should be placed on a noncombustible floor or on the ground, well away from all combustible materials, pending final disposal. If the ashes are disposed of by burial in soil or otherwise locally dispersed, they should be retained in the closed container until all cinders have thoroughly cooled.
4. Other waste shall not be placed in ash containers.

⚠ CAUTION: ASHES COULD CONTAIN HOT EMBERS EVEN AFTER TWO DAYS WITHOUT OPERATING THE STOVE.

MAINTENANCE

NOTICE: THIS WOOD HEATER NEEDS PERIODIC INSPECTION AND REPAIR FOR PROPER OPERATION. IT IS AGAINST FEDERAL REGULATIONS TO OPERATE THIS WOOD HEATER IN A MANNER INCONSISTENT WITH OPERATING INSTRUCTIONS IN THIS MANUAL. THE OPERATION OF THIS WOOD HEATER IN A MANNER INCONSISTENT WITH THE OWNER'S MANUAL WILL VOID YOUR WARRANTY.

⚠ WARNING: THE CHIMNEY AND CHIMNEY CONNECTOR MUST BE IN GOOD CONDITION AND BE KEPT CLEAN TO SAFELY USE THIS STOVE.

DAILY MAINTENANCE

- Inspect the firebox for ash accumulation; remove excess ash and follow instructions below regarding disposal.

MONTHLY MAINTENANCE

- Check the door handle for proper operation and to be certain an airtight seal is still being made by the door.
- Inspect the chimney system and chimney connector and sweep if necessary. Although cleaning may be required less than monthly, ALWAYS inspect the venting system monthly to decrease the chance of a chimney fire.

- Visually inspect the ceramic fiberboard in the firebox for cracks and/or breakage. Slight surface cracks will not affect the performance of the board, but a cracked or crumbling board should be replaced immediately.
- Visually inspect the secondary air tubes for cracks, warping and corrosion. The secondary air tubes must be cleaned with a wire brush. If debris remains in holes lightly tap with a wooden stick to remove.

YEARLY MAINTENANCE

- Check door gasket for wear and to be certain they still maintain an airtight seal. See below for replacement instructions.
- Thoroughly clean the chimney system and the chimney connector system. Since the chimney connector is generally exposed to high exhaust temperatures, inspect it carefully for leaks and weak spots; replace any questionable pieces. In the case of straight through the roof chimney system, be certain to remove the ceramic fiberboard before pushing the chimney sweeping brush down into the firebox. Forcefully hitting the top of the board with a cleaning brush or rod can damage or destroy the board.
- Remove all ash from the stove.

⚠ WARNING: DO NOT ATTEMPT TO CLEAN OR SERVICE WHILE THE STOVE IS HOT. BEFORE OPENING THE STOVE DOOR FOR ANY TYPE OF SERVICE, BE SURE THAT THE STOVE IS COOL.

⚠ WARNING: USE ONLY MANUFACTURER'S REPLACEMENT PARTS. USE OF ANY OTHER PARTS COULD CAUSE INJURY OR DEATH.

CREOSOTE - FORMATION AND NEED FOR REMOVAL

Failure to remove creosote may result in a dangerous chimney fire.

When wood is burned slowly, it produces tar and other organic vapors, which combine with expelled moisture to form creosote. The creosote vapors condense in the relatively cool chimney flue of a slow-burning fire. As a result, creosote residue accumulates on the flue lining.

When ignited this creosote makes an extremely hot fire. The chimney shall be inspected periodically during the heating season to determine if a creosote build-up has occurred. The presence in a chimney of soot or creosote in excess of 3 mm thick will indicate the need for immediate cleaning, possible modification of burning procedures, and more frequent inspections.

Establish a routine for the fuel, wood burner and firing technique. Check daily for creosote build-up until experience shows how often you need to clean to be safe. Be aware that the hotter the fire the less creosote is deposited, and weekly cleaning may be necessary in mild weather even though monthly cleaning may be enough in the coldest months. Contact your local municipal or provincial fire authority for information on how to handle a chimney fire. Have a clearly understood plan to handle a chimney fire.

REMOVING DAMAGED GASKET

Over time the 3/8" rope sealing gasket along the door may lose its rigidity. This seal is essential for providing a seal which allows the stove to operate safely. It is recommended that you change the door gasket once a year in order to ensure good control over the combustion, maximum efficiency and security. Contact the manufacturer for information on original or equivalent gasket.

To replace the gasket:

1. Ensure that all coals and fuel are extinguished and that the stove is cool to the touch.
2. Remove old gasket and clean the gasket gutter with a high temperature silicone.
3. Press the beginning of the replacement gasket into the most up and left position of the prepared gasket gutter.
4. Continue pressing the replacement gasket clockwise along the gasket gutter until it has wrapped back to where the gasket was pressed in initially.
5. Trim any excess replacement gasket away, and press the remaining butt into the gutter to complete the seal.
6. You may light up your stove again approximately 24 hours after having completed this operation.

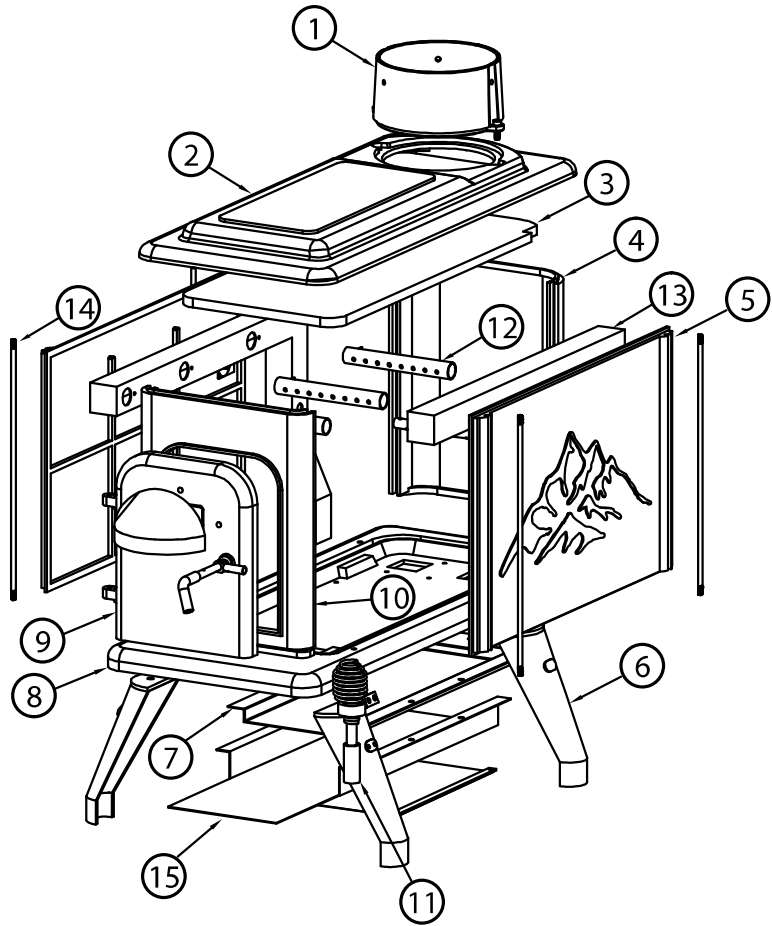
⚠ WARNING: NEVER OPERATE THE STOVE WITHOUT A GASKET OR WITH A BROKEN ONE. DAMAGE TO THE STOVE OR EVEN HOUSE FIRE MAY RESULT.

TROUBLESHOOTING

SYMPTOM	CAUSE	SOLUTION
Stove smokes into room	Weak Draft.	Be certain chimney is sufficiently tall. Refer to Chimney Requirements on Page 11. If necessary, add additional height to chimney.
Fire is difficult to start	Weak Draft.	Be certain chimney is sufficiently tall. Refer to Chimney Requirements on Page 10. If necessary, add additional height to chimney.
	Cold Chimney	Heat the flue by burning crumbled newspaper in the stove.
		Install an insulated chase around external chimney.
	Downdraft in Chimney	Be certain chimney is sufficiently tall. Refer to Chimney Requirements on Page 10.
Try heating the flue with a hair dryer to correct the draft.		
Fire burns out of control	Excessive Draft.	Reduce chimney height.
	Air Leakage.	Inspect door gasket and replace if necessary.
	Burning Excessively Dry Wood.	Only burn seasoned cord wood. Do not burn kiln dried or pallet wood.
Fire does not stay lit	Wet or Green Wood.	Only burn wood that is seasoned for at least one year and that is dry and free of ice and snow.
	Not Charring Fresh Wood Load	Char the fresh wood load until it is completely ignited and active secondary combustion is present in the firebox.
Uneven burn or heavy smoke	Leak in door	Tighten the door seal by moving the locking piece forwards/backwards on the threads. Tighten/loosen the nuts around the locking piece until the door seals properly.

SERVICE PARTS MODEL H090

NOTE: Not all parts available. For questions contact Manufacturer.



⚠ WARNING: Failure to position the parts in accordance with these diagrams or failure to use only parts specifically approved with this stove may result in property damage or personal injury.

ITEM NO.	PART NUM.	DESCRIPTION
1	66829	Flue Collar
2	N/A	Top
3	N/A	Ceramic Board
4	N/A	Back Wall
5	N/A	Side Wall
6	66830	Leg
7	N/A	Bottom Air Trough
8	N/A	Bottom Panel

ITEM NO.	PART NUM.	DESCRIPTION
9	66832	Door
10	N/A	Front Wall
11	66833	Handle
12	N/A	Air Tube
13	N/A	Secondary Air Channel
14	66834	Securing Rod
15	N/A	Heat Shield



OPERATING INSTRUCTIONS AND OWNER'S MANUAL

Model #

H090

READ INSTRUCTIONS CAREFULLY: YOUR SAFETY IS IMPORTANT TO YOU AND TO OTHERS. Read and follow all instructions. Place instructions in a safe place for future reference. Do not allow anyone who has not read these instructions to assemble, light, adjust or operate the stove.



WARNING:

USE ONLY MANUFACTURER'S REPLACEMENT PARTS. USE OF ANY OTHER PARTS COULD CAUSE INJURY OR DEATH. REPLACEMENT PARTS ARE ONLY AVAILABLE DIRECT FROM THE FACTORY AND MUST BE INSTALLED BY A QUALIFIED SERVICE AGENCY.

PARTS ORDERING INFORMATION:

PURCHASING: ACCESSORIES MAY BE PURCHASED AT ANY LOCAL DEALER OR DIRECT FROM THE FACTORY.

FOR INFORMATION REGARDING SERVICE:

Please call Toll-Free 1-800-251-0001

Our office hours are 8:00 AM – 5:00 PM, EST, Monday through Friday.

Please include the model number, date of purchase, and description of problem in all communication.

LIMITED WARRANTY:

The company warrants this product to be free from imperfections in material or workmanship, under normal and proper use in accordance with instructions of The Company, for a period of 1 year from the date of delivery to the buyer. The Company, at its option, will repair or replace products returned by the buyer to the factory, transportation prepaid within said one year period and found by the Company to have imperfections in material or workmanship.

If a part is damaged or missing, call our Technical Support Department at 1-800-251-0001.

Address any Warranty Claims to the Service Department, Enerco Group, Inc., 4560 W. 160TH ST., CLEVELAND, OHIO 44135. Include your name, address and telephone number and include details concerning the claim. Also, supply us with the purchase date and the name and address of the dealer from whom you purchased our product.

The foregoing is the full extent of the responsibility of the Company. There are no other warranties, express or implied. Specifically there is no warranty of fitness for a particular purpose and there is no warranty of merchantability. In no event shall the Company be liable for delay caused by imperfections, for consequential damages, or for any charges of the expense of any nature incurred without its written consent. The cost of repair or replacement shall be the exclusive remedy for any breach of warranty. There is no warranty against infringement of the like and no implied warranty arising from course of dealing or usage of trade. This warranty will not apply to any product which has been repaired or altered outside of the factory in any respect which in our judgment affects its condition or operation.

Some states do not allow the exclusion or limitation of incidental or consequential damages, so the above limitation or exclusion may not apply to you. This Warranty gives you specific legal rights, and you may have other rights which vary from state to state.

Enerco Group Inc. reserves the right to make changes at any time, without notice or obligation, in colors, specifications, accessories, materials and models.

Enerco Group Inc., 4560 W. 160TH ST., CLEVELAND, OHIO 44135 • 1-800-251-0001
© 2025, Enerco Group. All rights reserved





CLEVELAND
IRON WORKS

MODE D'EMPLOI ET GUIDE DU PRO- PRIÉTAIRE

N° de modèle

H090

⚠ MISE EN GARDE! VEUILLEZ LIRE CE MANUEL EN ENTIER AVANT D'INSTALLER OU D'UTILISER VOTRE NOUVEL APPAREIL DE CHAUFFAGE DE PIÈCE. LE NON RESPECT DE CES INSTRUCTIONS PEUT CAUSER DES DOMMAGES À LA PROPRIÉTÉ, DES BLESSURES CORPORELLES, OU MÊME UN DÉCÈS. UNE INSTALLATION INADÉQUATE ENTRAÎNERA L'ANNULATION DE VOTRE GARANTIE!

POÊLE À BOIS À COMBUSTION SIMPLE ERIE



LES SPÉCIFICATIONS ET L'APPARENCE DU PRODUIT PEUVENT ÊTRE MODIFIÉES SANS PRÉAVIS. L'IMAGE DU PRODUIT PEUT NE PAS ÊTRE PRÉCISE.

⚠ AVIS DE SÉCURITÉ : SI CET APPAREIL DE CHAUFFAGE N'EST PAS INSTALLÉ CORRECTEMENT, CELA PEUT CAUSER L'INCENDIE DE LA RÉSIDENCE. POUR VOTRE SÉCURITÉ, IL FAUT SUIVRE LES INSTRUCTIONS D'INSTALLATION. IL NE FAUT JAMAIS FAIRE DE COMPROMIS DE FORTUNE LORS DE L'INSTALLATION DE CET APPAREIL DE CHAUFFAGE. COMMUNIQUER AVEC LES AUTORITÉS LOCALES DU BÂTIMENT OU AVEC LES SERVICES DE PROTECTION CONTRE LES INCENDIES CONCERNANT LES EXIGENCES EN MATIÈRE DE PERMIS, DE RESTRICTIONS, D'INSPECTION ET D'INSTALLATION DANS VOTRE RÉGION. NE JAMAIS FAIRE FONCTIONNER CE PRODUIT SANS SURVEILLANCE.

⚠ MISE EN GARDE : UN INCENDIE DE CHEMINÉE PEUT CAUSER L'IGNITION DES POTEAUX MURAL OU DES ARBALÉTRIERS DONT ON A ASSUMÉ QU'ILS ÉTAIENT À UNE DISTANCE SÉCURITAIRE DE LA CHEMINÉE. SI UN INCENDIE DE CHEMINÉE S'EST PRODUIT, IL FAUT FAIRE INSPECTER VOTRE CHEMINÉE PAR UN EXPERT QUALIFIÉ, AVANT DE LA RÉUTILISER À NOUVEAU.

⚠ MISE EN GARDE : IL EST IMPORTANT D'UTILISER UNIQUEMENT LES COMPOSANTS SPÉCIFIÉS. L'UTILISATION DE COMPOSANTS AUTRES QUE CE QUI EST SPÉCIFIÉ PEUT ENTRAÎNER DES RISQUES ACCRUS POUR VOUS, VOTRE POÊLE ET VOTRE RÉSIDENCE.

- À cause de températures élevées en surface, cet appareil devrait être installé à distance appropriée de tout matériau combustible. Conformez-vous aux distances de dégagement des matériaux combustibles; consultez la page 6.
- Le poêle assemblé doit être raccordé à un conduit évacué à l'extérieur en vertu des directives de la région. Consultez Exigences et directives d'installation, pages 7 à 12.
- N'utilisez le poêle qu'avec le combustible permis; consultez la page 13. **NE FAITES JAMAIS BRÛLER DE DÉCHETS.**

PLACER CES INSTRUCTIONS DANS UN ENDROIT SÛR POUR RÉFÉRENCE FUTURE.

Enerco Group Inc.

4560 West 160th st Cleveland, Ohio 44135 1-800-251-0001

66849 REV D

MISE EN GARDE :

⚠ CHAUD PENDANT LE FONCTIONNEMENT. GARDER LES ENFANTS, LES VÊTEMENTS ET LES MEUBLES LOIN DE L'APPAREIL. LE CONTACT PEUT CAUSER DES BRÛLURES À LA PEAU.

- **MISE EN GARDE : N'UTILISEZ JAMAIS DE PRODUITS CHIMIQUES OU DE LIQUIDES POUR ALLUMER LE FEU.**
- **PLACER CES INSTRUCTIONS DANS UN ENDROIT SÛR POUR RÉFÉRENCE FUTURE.**
- **PLACER CES INSTRUCTIONS DANS UN ENDROIT SÛR POUR RÉFÉRENCE FUTURE.**
- **PLACER CES INSTRUCTIONS DANS UN ENDROIT SÛR POUR RÉFÉRENCE FUTURE.**
- **PLACER CES INSTRUCTIONS DANS UN ENDROIT SÛR POUR RÉFÉRENCE FUTURE.**

⚠ AVERTISSEMENT : Ce produit peut vous exposer à des produits chimiques, dont le plomb et les composés de plomb, connus par l'état de la Californie pour causer le cancer, des malformations congénitales ou autres anomalies de la reproduction. Pour plus d'information, rendez-vous à WWW.P65Warnings.CA.GOV

⚠ MISE EN GARDE : NE PAS INSTALLER DANS UN BÂTIMENT TRANSPORTABLE.

AVERTISSEMENT SUR LES DANGERS GÉNÉRAUX:

- ⚠ UN MANQUEMENT DE SE CONFORMER AUX PRÉCAUTIONS ET INSTRUCTIONS FOURNIES AVEC CE POËLE PEUT PROVOQUER LA MORT, DES BLESSURES GRAVES ET LA PERTE OU LE DOMMAGE AUX BIENS CAUSÉS PAR LE FEU, L'EXPLOSION, LES BRÛLURES, L'ASPHYXIE, L'INTOXICATION AU MONOXYDE DE CARBONE ET/OU LA DÉCHARGE ÉLECTRIQUE.
- ⚠ SEULES LES PERSONNES AYANT COMPRIS ET OBSERVÉ LES INSTRUCTIONS PEUVENT UTILISER OU ENTREtenir CE POËLE.
- ⚠ SI VOUS AVEZ BESOIN D'AIDE OU D'INFORMATION AU SUJET DU POËLE, COMME UN MANUEL D'INSTRUCTIONS, DES ÉTIQUETTES, ETC., CONTACTEZ LE FABRICANT.

AVERTISSEMENT :

⚠ DANGER D'INCENDIE, DE BRÛLURE, D'INHALATION ET D'EXPLOSION. GARDER LES MATÉRIAUX COMBUSTIBLES SOLIDES, COMME LES MATÉRIAUX DE CONSTRUCTION, LE PAPIER OU LE CARTON, À UNE DISTANCE SÛRE DU POËLE. COMME LE RECOMMANDE CE MODE D'EMPLOI, NE PAS UTILISER LE POËLE DANS DES ENDROITS CONTENANT OU POUVANT CONTENIR DES SUBSTANCES COMBUSTIBLES VOLATILES OU SUSPENDUES DANS L'AIR OU ENCORE DES PRODUITS COMME L'ESSENCE, LES SOLVANTS, LE DILUANT À PEINTURE, LES PARTICULES DE POUSSIÈRE OU LES PRODUITS CHIMIQUES INCONNUS.

Table des matières

SPÉCIFICATIONS.....	3	EXIGENCES POUR LA CHEMINÉE.....	11
PRÉCAUTIONS DE SÉCURITÉ.....	4	FONCTIONNEMENT.....	13
DÉGAGEMENT DES COMBUSTIBLES.....	6	ENTRETIEN.....	19
INSTALLATION.....	7	DÉPANNAGE.....	22
EXIGENCES ET INSTALLATION DES RACCORDS DE CHEMINÉE.....	8	PIÈCES DE SERVICE.....	23
		GARANTIE.....	24

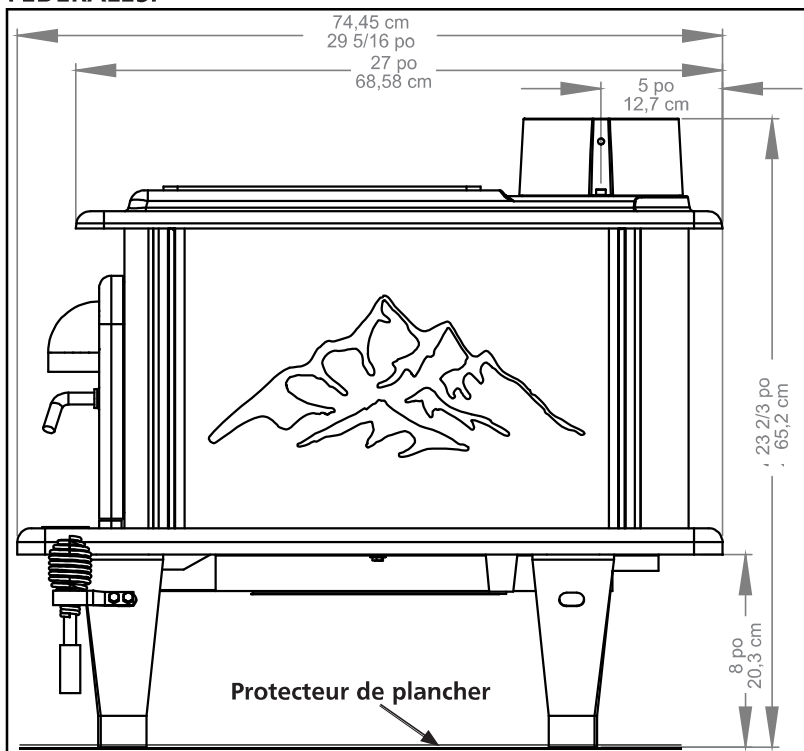
SPÉCIFICATIONS

N° de modèle	H090
	DIMENSIONS
Dimensions du poêle L (d'une patte à l'autre) x L x H (de la patte au-dessus de la buse) [po (cm)]	19 x 29 x 26 (48 x 74 x 66) (référez-vous aux figures ci-dessous)
Buse	Ronde 6 po (15 cm)
	SPÉCIFICATIONS DE FONCTIONNEMENT
Carburant	Bois
Durée maximale de combustion (Min.)*	79
	Spécifications de sécurité et de conformité EPA
Conformité EPA **	Certifié
Plage de sortie de chaleur	27 000 BTU/HRE
Émissions de particules (g/hre)	1,87
Efficacité	68 % HHT
Testé selon	Norme UL-1482-2022 pour les appareils de chauffage de pièce de type à carburant solide
	Norme ULC S627-21 pour les appareils de chauffage d'espace pour usage avec des carburants solides

* Les durées maximales de combustion dépendent fortement du type de bois brûlé dans le poêle, ainsi, ces nombres peuvent varier.

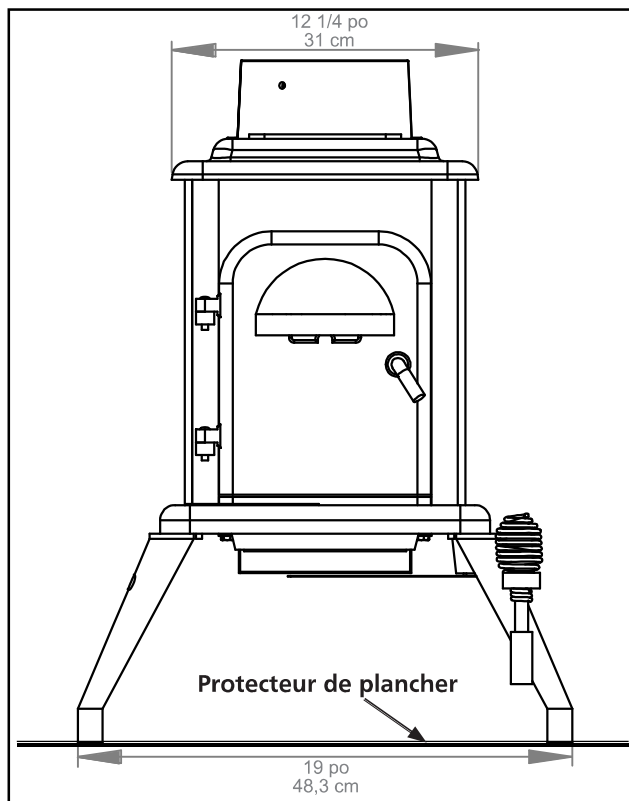
** Certifié par la U.S. ENVIRONMENTAL PROTECTION AGENCY comme conforme avec les normes d'émissions particulaires de 2020 pour les appareils de chauffage à combustion simple. Cet appareil de chauffage au bois à combustion simple n'est pas approuvé pour utilisation avec un registre de tirage clapet.

VEUILLEZ LIRE CE MANUEL AU COMPLET AVANT D'INSTALLER ET D'UTILISER VOTRE NOUVEAU POÊLE. UN MANQUEMENT DE SUIVRE LES INSTRUCTIONS PEUT PROVOQUER DES DOMMAGES AUX BIENS, DES BLESSURES, OU MÊME LA MORT. POUR BIEN FONCTIONNER, CE DISPOSITIF DE CHAUFFAGE À BOIS EXIGE D'ÊTRE INSPECTÉ ET RÉPARÉ PÉRIODIQUEMENT. LE FONCTIONNEMENT DE CE DISPOSITIF DE CHAUFFAGE À BOIS DE FAÇON NON CONFORME AUX INSTRUCTIONS D'UTILISATION DANS CE MANUEL VA À L'ENCONTRE DES RÉGLEMENTATIONS FÉDÉRALES.



Poêle à bois à combustion simple

F3



Mode d'emploi et guide du propriétaire

OUTILS ET MATÉRIAUX REQUIS (NON-FOURNIS)

- Lunettes de sécurité
- Gants de foyer
- Crayon
- Ruban à mesurer ou règle pliable de 6 pi (1,83 m)
- Cisaille de ferblantier
- Perceuse
- Foret de 1/8 po
- Clé ajustable
- Tournevis cruciforme no 2
- Raccord de cheminée
- Vis à tôles de 1/2 po (1,3 cm)
- Cheminée
- Ciment à calorifère
- Protection de plancher telle que spécifiée

⚠ MISE EN GARDE : CE POÊLE EST TRÈS LOURD. S'ASSURER D'AVOIR L'AIDE ADÉQUATE ET D'UTILISER DES TECHNIQUES DE LEVAGE APPROPRIÉES LORS DU DÉPLACEMENT DE CE POÊLE.

1. Retirer le poêle de la palette, et retirer les matériaux d'emballage et le sac protecteur en plastique (conserver la boîte de carton pour assemblage additionnel).
2. Retirer les pièces de l'intérieur du poêle.
3. Placer la boîte aplatie sur le plancher, et retourner soigneusement le poêle sur la boîte.

4. Fixer les pattes avant sur le cœur avec deux (2) vis M8 x 25mm, et deux (2) écrous M8 X 25mm.

REMARQUE : Une seule patte est équipée avec un support de poignée. Cette patte supportée est conçue pour être installée sur le côté avant droit de l'unité.

5. Fixer les pattes arrière sur la base du poêle, avec deux (2) vis M8 X 25mm, et deux (2) écrous M8 X 25mm.

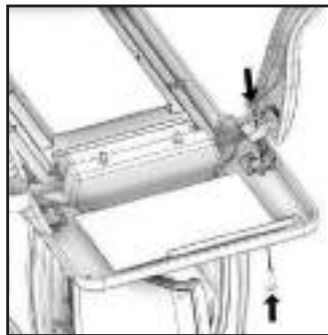


Figure 1

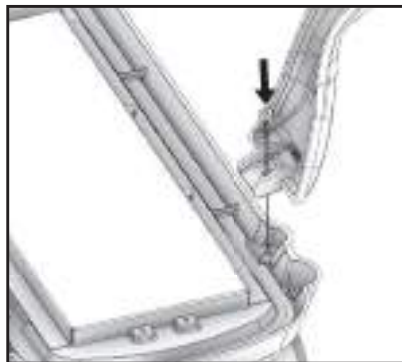


Figure 2

6. Remettre soigneusement le poêle debout, et le placer à son emplacement voulu. Aligner les trous sur la buse avec les trous sur le poêle, et fixer en utilisant (2) deux vis M6 X 15.

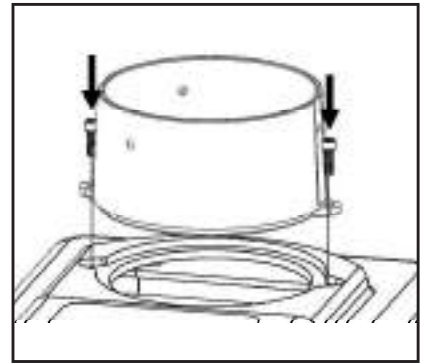


Figure 3

PRÉCAUTIONS DE SÉCURITÉ

IL FAUT AVOIR UN PLAN BIEN ÉTABLI DE CE QUE VOUS ENTENDEZ FAIRE EN CAS D'INCENDIE. COMMUNIQUER AVEC LES AUTORITÉS LOCALES DU SERVICE DE PROTECTION CONTRE LES INCENDIES POUR OBTENIR DE L'INFORMATION, ET UN PLAN DE CE QUI DOIT ÊTRE FAIT DANS L'ÉVENTUALITÉ D'UN INCENDIE DE CHEMINÉE.

⚠ AVERTISSEMENT : SI CE POÊLE N'EST PAS INSTALLÉ CORRECTEMENT, CELA PEUT CAUSER L'INCENDIE DE LA RÉSIDENCE. POUR RÉDUIRE LES RISQUES D'INCENDIE, RESPECTER LES INSTRUCTIONS D'INSTALLATION.

⚠ MISE EN GARDE : CONSULTER LE SERVICE DES BÂTIMENTS DE VOTRE MUNICIPALITÉ OU LES SERVICES DE PROTECTION CONTRE LES INCENDIES CONCERNANT LES EXIGENCES EN MATIÈRE DE PERMIS, DE RESTRICTIONS, D'INSPECTION ET D'INSTALLATION DANS VOTRE RÉGION.

⚠ MISE EN GARDE : UTILISER DES DÉTECTEURS DE FUMÉE DANS LA PIÈCE OU VOTRE POÊLE EST INSTALLÉ.

⚠ MISE EN GARDE : GARDER LES MEUBLES ET LES DRAPERIES BIEN ÉLOIGNÉS DU POÊLE.

⚠ MISE EN GARDE : NE PAS INSTALLER DANS UNE ALCÔVE.

⚠ AVERTISSEMENT : NE JAMAIS UTILISER DE L'ESSENCE, DU CARBURANT DE TYPE POUR LANTERNE, DU KÉROSÈNE, DU LIQUIDE D'ALLUMAGE DE CHARBON DE BOIS, OU DES LIQUIDES SIMILAIRES POUR DÉMARRER OU « ATTISER » UN FEU DANS CET APPAREIL DE CHAUFFAGE. GARDER TOUS LES LIQUIDES DE CE GENRE BIEN ÉLOIGNÉS DE CET APPAREIL DE CHAUFFAGE, PENDANT SON UTILISATION.

⚠ AVERTISSEMENT : NE PAS RANGER DE VAPEURS INFLAMMABLE, LIQUIDES INFLAMMABLES, OU CARBURANTS SOLIDES À PROXIMITÉ DE CE POÊLE, PRÈS DE SOURCES D'ÉLECTRICITÉ, OU PRÈS DES SITES DE RETRAIT DES CENDRES.

⚠ MISE EN GARDE : NE PAS CONNECTER OU UTILISER EN CONJONCTION AVEC UN RÉSEAU DE GAINÉ DE DISTRIBUTION D'AIR.

⚠ MISE EN GARDE : FOURNIR DE L'AIR DE COMBUSTION PROVENANT DE L'EXTÉRIEUR DE LA RÉSIDENCE DANS LA PIÈCE OÙ L'APPAREIL DE CHAUFFAGE SE TROUVE. SI L'ENTRÉE D'AIR N'EST PAS DANS LA MÊME PIÈCE, ALORS L'AIR DOIT AVOIR UN LIBRE ACCÈS À LA PIÈCE.

⚠ MISE EN GARDE : TOUJOURS CONNECTER CET APPAREIL DE CHAUFFAGE SUR UNE CHEMINÉE ET UN CONDUIT DE CHEMINÉE VERS L'EXTÉRIEUR. NE JAMAIS ÉVENTER VERS UNE AUTRE PIÈCE OU À L'INTÉRIEUR D'UN IMMEUBLE. NE PAS CONNECTER CETTE UNITÉ SUR UN CONDUIT DE CHEMINÉE DESSERVANT UN AUTRE APPAREIL.

⚠ AVERTISSEMENT : TOUTES LES PERSONNES, SPÉCIALEMENT LES ENFANTS, DOIVENT ÊTRE ALERTÉES CONCERNANT LES RISQUES DE HAUTE TEMPÉRATURE DES SURFACES, ET ELLES DOIVENT ÊTRE GARDÉES ÉLOIGNÉES PENDANT SON FONCTIONNEMENT. LES PETITS ENFANTS NE DOIVENT PAS ÊTRE LAISSÉS SANS SURVEILLANCE LORSQU'ILS SONT DANS LA PIÈCE AVEC L'APPAREIL DE CHAUFFAGE.

⚠ MISE EN GARDE : CET APPAREIL DE CHAUFFAGE NE DOIT PAS ÊTRE UTILISÉ COMME UNE SOURCE PRINCIPALE DE CHAUFFAGE.

⚠ AVERTISSEMENT : NE PAS CONNECTER UN APPAREIL DE CHAUFFAGE BRÛLANT DU BOIS SUR UN ÉVENT DE GAZ DE TYPE B. CELA N'EST PAS SÉCURITAIRE ET C'EST INTERDIT PAR LE CODE NATIONAL DE L'ASSOCIATION DE PROTECTION CONTRE LES INCENDIES. CET APPAREIL DE CHAUFFAGE REQUIERT UNE MAÇONNERIE APPROUVÉE OU UNE CHEMINÉE HOMOLOGUÉE PAR UL OU ULC DE TYPE RÉSIDENIELLE ET D'APPAREIL DE CHAUFFAGE D'IMMEUBLE. UTILISER UNE CHEMINÉE DE 6 PO (15 CM) DE DIAMÈTRE, OU PLUS GROSSE, QUI SOIT ASSEZ ÉLEVÉE POUR DONNER UN BON TIRANT D'AIR.

MONOXYDE DE CARBONE

AVERTISSEMENT :

⚠ LORSQU'IL EST UTILISÉ SANS SUFFISAMMENT D'AIR DE COMBUSTION ET DE VENTILATION OU AVEC DES COMBUSTIBLES INTERDITS, CE POÊLE PEUT PRODUIRE UN EXCÈS DE MONOXYDE DE CARBONE, QUI EST UN GAZ SANS ODEUR DANGEREUX.

AVERTISSEMENT :

⚠ LES SIGNES PRÉCOCES DE L'INTOXICATION AU MONOXYDE DE CARBONE RESSEMBLENT AUX SYMPTÔMES DE LA GRIPPE, AVEC MAUX DE TÊTE, ÉTOURDISSEMENTS OU NAUSÉE. SI VOUS RESSENTEZ CES SYMPTÔMES, IL EST POSSIBLE QUE LE POÊLE NE FONCTIONNE PAS CORRECTEMENT. SORTEZ AU GRAND AIR IMMÉDIATEMENT! FAITES RÉPARER LE POÊLE.

CERTAINES PERSONNES, COMME LES FEMMES ENCEINTES, LES PERSONNES ATTEINTES D'UNE MALADIE DU COEUR OU DES POUMONS, LES PERSONNES SOUS L'EMPRISE DE L'ALCOOL, LES PERSONNES À HAUTE ALTITUDE, SONT PLUS AFFECTÉES PAR LE MONOXYDE DE CARBONE QUE LES AUTRES.

Bien que ce poêle soit sûr, tout appareil de combustion produit du monoxyde de carbone. Il est vivement recommandé de réduire les risques autant que possible, pour vous et vos proches, en installant un détecteur de monoxyde de carbone. Suivez les instructions d'installation, de fonctionnement et d'entretien fournis par le fabricant de votre détecteur.

DÉTECTEURS DE FUMÉE

Ayez au moins un détecteur de fumée à chaque étage de votre bâtiment. Suivez les instructions d'installation, de fonctionnement et d'entretien fournis par le fabricant de votre détecteur. Évitez les fausses alarmes en ne plaçant pas le détecteur à l'extérieur de la toute proximité du poêle. Normalement, un bon endroit pour l'installation des détecteurs de fumée est près des chambres à coucher.

POUR PLUS D'INFORMATION EN MATIÈRE DE SÉCURITÉ

Pour obtenir des renseignements complémentaires en matière de sécurité et de fonctionnement des poêles à bois, contactez la National Fire Protection Association (NFPA) par la poste en écrivant à :

NFPA, Batterymarch Park, Quincy, MA 02269

Ou visiter le site du NFPA : <https://www.nfpa.org/>

DISTANCE DE DÉGAGEMENT DES MATÉRIEAUX COMBUSTIBLES

(Consulter la figure 4 et 5)

Les distances ici mentionnées sont les distances minimums entre le poêle et tout autre objet. Aucun objet ne devrait dépasser ces limites. Ceci inclut, sans s'y limiter, tapis, meubles, enfants, animaux, vêtements, carburant ou tout autre objet. Ces distances ne peuvent être réduites d'aucune façon ou par aucune autorité réglementaire aux États-Unis et au Canada.

⚠ MISE EN GARDE : GARDER LES MEUBLES ET AUTRES MATÉRIEAUX COMBUSTIBLES ÉLOIGNÉS DE CET L'APPAREIL DE CHAUFFAGE. GARDER LA ZONE ADJACENTE À L'APPAREIL DE CHAUFFAGE LIBRE DE TOUT MATÉRIAU COMBUSTIBLE, D'ESSENCE, ET D'AUTRES VAPEURS INFLAMMABLES.

Le poêle ne doit pas être à moins de 29,5 pouces (74,93 cm) d'un mur latéral, et [U.S. - 11,5 pouces (29,21 cm); Canada - 16,5 pouces (41,91 cm)] du mur arrière. Le mur d'un conduit d'évent vertical ne doit pas être à moins de 31 pouces (78,74 cm) d'un mur et [U.S. - 13 pouces (33,02 cm); Canada - 18 pouces (45,7 cm)] du mur du fond.

La distance minimale entre le plancher et le plafond de la pièce est 84 pouces (213,4 cm).

La distance minimale entre le plafond et le mur de tout conduit d'évent horizontal est 18 pouces (45,7 cm).

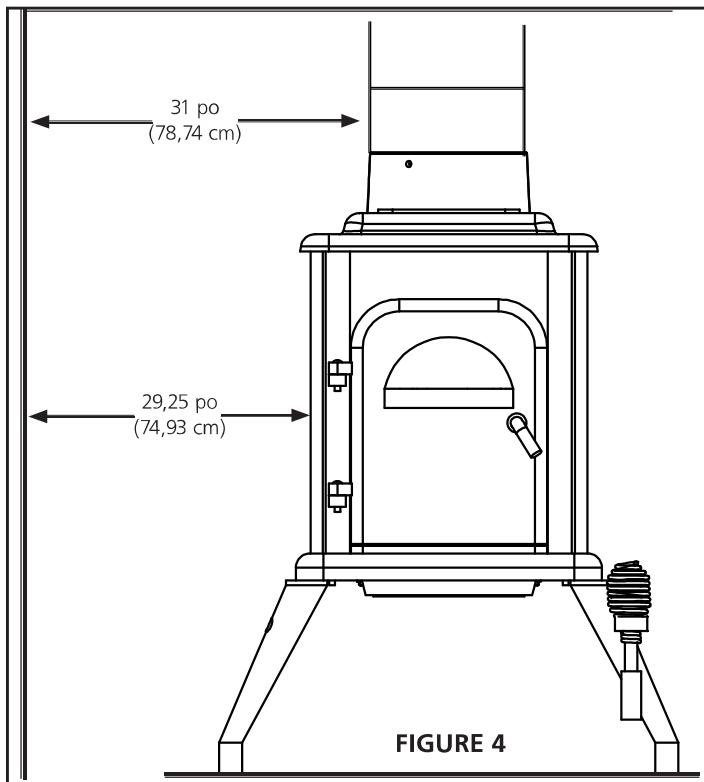


FIGURE 4

Poêle à bois à combustion simple

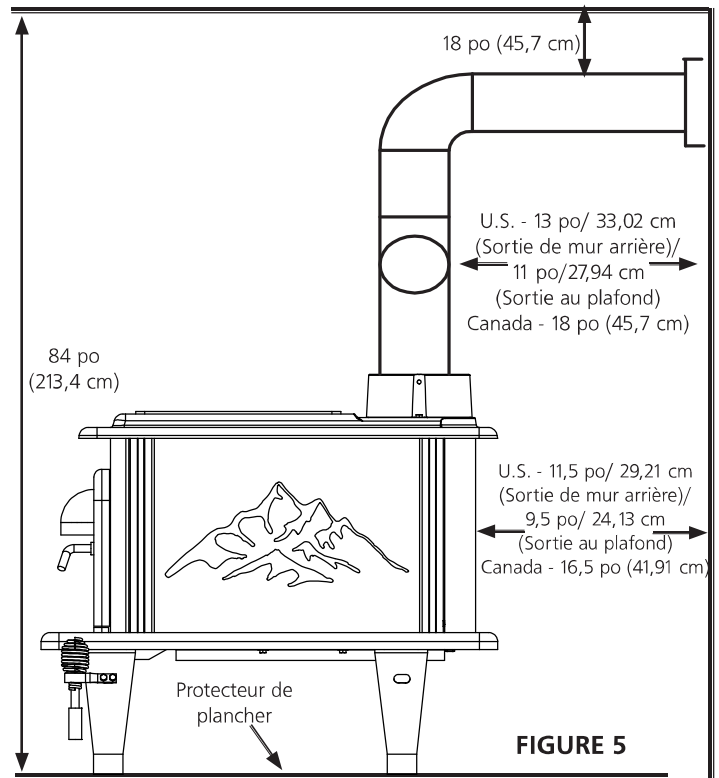


FIGURE 5

INSTALLATION DANS UN COIN (se référer à la figure 6)

Le poêle ne doit pas être à moins de [U.S. - 15 pouces (38,1 cm); Canada - 16 pouces (40,6 cm)] d'un coin. La paroi du conduit de ventilation vertical ne doit pas être à moins de [U.S. - 17 pouces (43,18 cm); Canada - 18 pouces (45,7 cm)] de tout coin.

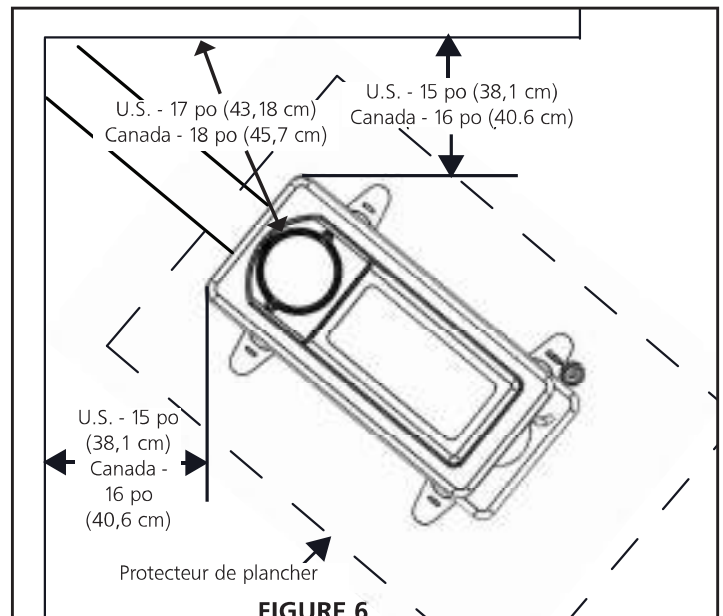
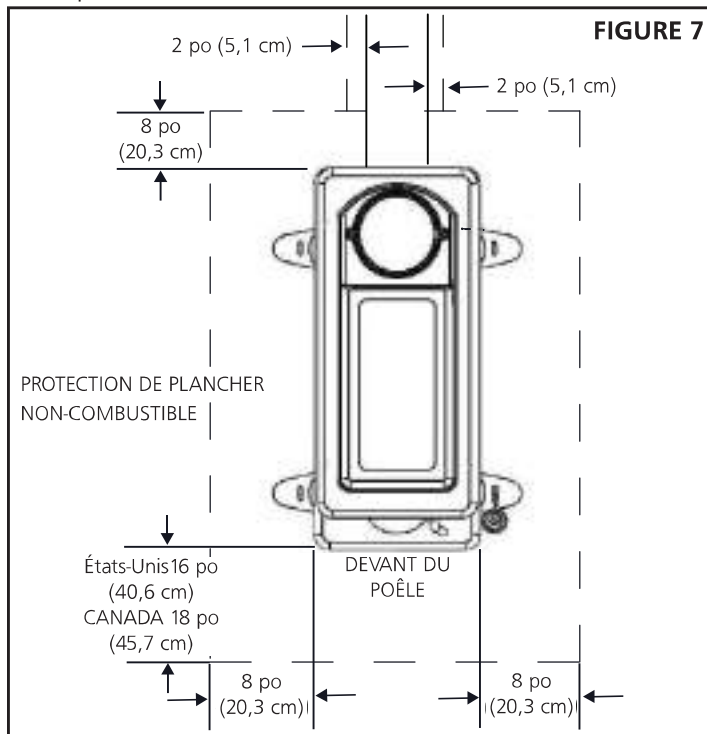


FIGURE 6

ESPACE DU REVÊTEMENT DE SOL (Se référer à la figure 7)

Au Canada, pour se conformer à la norme CSA B365, code d'installation pour les appareils et équipements qui brûlent du carburant solide, un recouvrement combustible sous l'appareil et/ou dans la zone s'étendant horizontalement d'au moins 18 pouces (45,7 cm) au-delà de l'appareil de tout côté équipé d'une porte, et d'au moins 8 pouces (20,3 cm) au-delà de l'appareil sur les autres côtés, doit être protégé par un matériau continu, durable, et non-combustible qui

fournira une protection contre la braise. La protection contre la braise de 18 pouces (45,7 cm) qui est requise de tout côté avec une porte doit s'étendre sur la pleine largeur de l'appareil, en plus de la distance de 8 pouces (20,3 cm) requise de chaque côté de l'appareil, sans porte. Là où un appareil est installé à moins de 8 pouces (20,3 cm) d'un mur, le panneau de protection contre la braise a besoin de s'étendre seulement à la base du mur. Un panneau de protection contre la braise ne doit pas être placé par-dessus un tapis, à moins que le panneau de protection soit supporté structurellement, afin de prévenir un déplacement ou une distorsion.



⚠ MISE EN GARDE : TOUTE DÉVIATION OU ALTÉRATION DE CES INSTRUCTIONS D'INSTALLATION PEUT CAUSER UN DOMMAGE COMME DES BLESSURES POUR VOUS, DES DOMMAGES SUR LE POÊLE, VOTRE CHEMINÉE, ET VOTRE RÉSIDENCE. CELA PEUT AUSSI ENTRAÎNER L'ANNULATION DE LA GARANTIE. VEUILLEZ LIRE ET CONSERVER CES INSTRUCTIONS. Communiquer avec Enerco Group pour toute question, problème ou commentaire.

POSITIONNEMENT DU POÊLE

Lors de la prise de décision sur l'emplacement pour le poêle, il faut choisir un emplacement qui favorisera la distribution de chaleur la plus efficace possible dans toute la résidence. Installer le poêle dans la pièce où vous passez la plupart de votre temps, et dans la pièce la plus spacieuse qui soit possible. Un poêle installé dans une pièce à aire ouvert aura une meilleure efficacité qu'un autre qui serait placé dans un sous-sol ou à l'extérieur, dans des températures sous le niveau de gel. Le brûlage de bois sec rendra aussi le poêle plus efficace que le brûlage de bois humide.

- Lors de la prise de décision concernant la position et l'orientation du poêle, il faut s'assurer de respecter tous les dégagements avec les combustibles prescrits dans les figures 4 à 6.
- Localiser le protecteur de plancher de manière appropriée (voir la figure 7), et placer soigneusement le poêle sur un plancher lisse et à niveau, et non pas surélevé.
- Installer le tuyau de poêle, les coudes, et le manchon d'emboîtement tel que nécessaire, en utilisant soit une cheminée de maçonnerie récemment nettoyée et inspectée (avec un revêtement approprié) ou avec une cheminée homologuée UL ou ULC.
- S'assurer que le déflecteur fixe de conduit de fumée qui est fourni soit installé dans la buse. Ce déflecteur est conçu pour être dans un emplacement fixe pour une combustion optimale. Ne pas retirer ou altérer l'emplacement de ce déflecteur. Cela va à l'encontre des réglementations fédérales, et entraînera l'annulation de la garantie.
- Se référer aux figures 4 à 6, et s'assurer d'avoir les dégagements indiqués pour l'appareil de chauffage et le conduit de raccordement aux surfaces combustibles. S'il y a un mur solide en brique ou en pierre derrière l'appareil de chauffage, veuillez consulter le code local du bâtiment pour les réglementations spécifiques qui pourraient s'appliquer dans votre région. Cependant, si le mur fait face seulement à de la brique ou de la pierre, il faut le considérer comme un mur combustible. Pour réduire les dégagements de fumée des matériaux combustibles, communiquer avec le service local de sécurité incendie.

MATÉRIAU DE REVÊTEMENT DE SOL

Le poêle peut être installé sur un revêtement de sol en béton monolithe, ou en maçonnerie massive. Un plancher combustible doit être protégé avec un panneau non-isolé de protection contre la braise, conforme à CSA B365. Les appareils de chauffage d'espace conformes aux exigences CAN/ ULC-S627 sont adéquats pour installation sur un plancher combustible, et ils ne nécessitent pas de protection de plancher radiant.

INSTALLATION

Prendre les mesures de votre espace et planifier votre système de cheminée, tel que détaillé dans les instructions suivantes.

⚠ AVERTISSEMENT : SI CE POÊLE N'EST PAS INSTALLÉ CORRECTEMENT, CELA PEUT CAUSER L'INCENDIE DE LA RÉSIDENCE. POUR RÉDUIRE LES RISQUES D'INCENDIE, RESPECTER LES INSTRUCTIONS D'INSTALLATION. CONSULTER LE SERVICE DES BÂTIMENTS DE VOTRE MUNICIPALITÉ OU LES SERVICES DE PROTECTION CONTRE LES INCENDIES CONCERNANT LES EXIGENCES EN MATIÈRE DE RESTRICTIONS, D'INSPECTION ET D'INSTALLATION DANS VOTRE RÉGION.

- Le raccordement de la cheminée doit être aussi court que possible, et l'appareil de chauffage doit être muni de son propre conduit d'évacuation.

NE PAS CONNECTER CETTE UNITÉ SUR UN CONDUIT DE CHEMINÉE DESSERVANT D'AUTRES APPAREILS.

- NE PAS installer ce poêle dans une maison mobile, dans une remorque ou dans une structure construite sur des patins ou avec un train de roulement.
- NE PAS installer dans un foyer fabriqué en usine.

⚠ AVERTISSEMENT : N'INSTALLEZ PAS LE POÊLE PRÈS DE SORTIES OU D'ESCALIERS. ASSUREZ-VOUS QUE LE POÊLE NE NUIT NULLEMENT À L'ÉVACUATION EN CAS D'INCENDIE.

EXIGENCES POUR RACCORDS DE CHEMINÉE ET INSTALLATION

Pour toute question au sujet des options de ventilation de votre poêle, contactez soit :

- Le fabricant, Enerco Group Company, au 1 800 251-0001. Nos heures d'ouverture sont de 8 h à 17 h HNE, du lundi au vendredi.
- La National Fire Protection Association (NFPA) pour demander un exemplaire des plus récentes versions des normes NFPA Standard 211 et NFPA Standard 908. L'adresse postale de la NFPA est Battery March Park, Quincy, MA 02269.

Cet appareil de chauffage de pièce doit être connecté sur une cheminée qui soit conforme aux exigences pour les cheminées de type HT dans la norme pour les cheminées de type résidentielle, fabriquée en usine et un appareil de chauffage de bâtiment UL 103, ou une cheminée en maçonnerie approuvée par le code du bâtiment avec un tubage de cheminée. Il faut respecter attentivement les instructions du fabricant de la cheminée. Utiliser uniquement des raccords de cheminée HT conforme à UL 103, ULC, d'un diamètre de 6 po (15 cm) noirs ou bleus, en acier d'un calibre minimal de 24. Si votre cheminée commence au plafond, vous aurez besoin de suffisamment de conduit de 6 po (15 cm) pour atteindre le plafond. Le haut de la cheminée doit être à au moins 3 pi (91 cm) en haut du toit, et être au moins 2 pi (61 cm) plus haut que tout point de la toiture qui se trouve dans un périmètre de 10 pi (3 m). Utiliser un conduit mural double ou triple pour la portion extérieure de la cheminée.

Les précautions suivantes concernant l'évacuation doivent être respectées :

- Le côté à rebord rabattu du conduit doit être installé vers l'appareil de chauffage. Le conduit doit glisser dans la buse. Le conduit doit être fixé solidement sur la buse, avec 3 vis, et scellé avec du ciment à calorifère.
- Au moins 2 pi (61 cm) de conduit vertical en provenance du poêle est requis, au minimum avant qu'il soit permis au système d'avoir une section horizontale d'évacuation.

REMARQUE : Ne pas installer la cheminée directement à la sortie de l'appareil. Un raccord de cheminée (conduit de cheminée) est requis, à moins que l'appareil soit spécifiquement approuvé pour ce type d'installation.

Poêle à bois à combustion simple

- Le conduit d'évacuation horizontale doit avoir une pente descendante en s'éloignant de la cheminée de 1/4 po (0,6 cm) à chaque 1 pi (0,3 m).
- Le dégagement minimal entre le point le plus élevé du conduit d'évacuation horizontale et le plafond est de 18 po (45,7 cm).
- Le conduit ne peut pas s'étendre dans le conduit de cheminée.

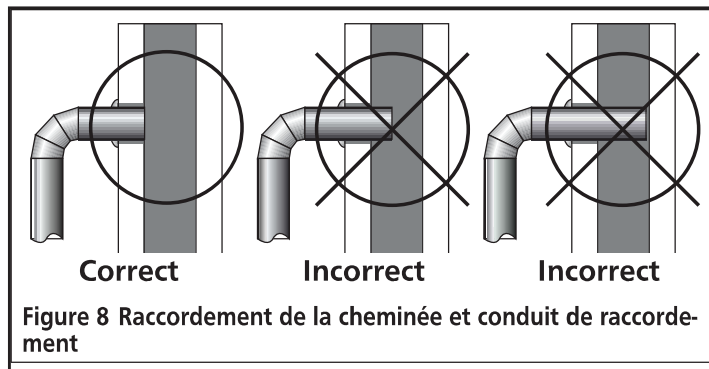


Figure 8 Raccordement de la cheminée et conduit de raccordement

- Sceller chaque joint de conduit de raccordement avec du ciment à calorifère. Aussi, sceller le conduit à la cheminée, en vous assurant qu'il soit étanche à l'air. Sceller l'intérieur avec de la silicone pour la haute température, et l'extérieur avec du ruban pour la haute température.
- Utiliser 3 vis à tôle à chaque joint, pour rendre les conduits bien rigides.
- Un total de deux (2) coudes est permis pour une installation d'évacuation. Ne pas dépasser le nombre de deux (2) coudes, car cela peut causer un tirant d'air inadéquat et causer des fuites de fumée. Lors de l'utilisation des coudes, le meilleur moyen de protéger l'intégrité du tirant d'air est d'utiliser des coudes ondulés et non-ajustables.

⚠ MISE EN GARDE : UN RACCORD DE CHEMINÉE NE DOIT PAS TRAVERSER UN GRENIER OU UN ESPACE DE TOITURE, UN PLACARD OU AUTRE ESPACE DISSIMULÉ SEMBLABLE, OU UN PLANCHER OU PLAFOND. SI LE PASSAGE AU TRAVERS UN MUR OU UNE CLOISON COMBUSTIBLE EST REQUIS, L'INSTALLATION DOIT SE CONFORMER À LA NORME CAN/ CSA-B365, CODE D'INSTALLATION DES APPAREILS À COMBUSTIBLES SOLIDES ET DU MATÉRIEL CONNEXE.

⚠ MISE EN GARDE : NE RACCORDEZ PAS CET APPAREIL À UN CONDUIT DE CHEMINÉE SERVANT À UN AUTRE APPAREIL.

⚠ MISE EN GARDE : NE PAS CONNECTER NI UTILISER EN CONJONCTION AVEC UN RÉSEAU DE GAINÉ DE DISTRIBUTION D'AIR, À MOINS QUE CELA SOIT SPÉCIFIQUEMENT APPRUVÉ POUR UNE TELLE INSTALLATION.

Lorsqu'un passage à travers un mur ou une cloison fabriqués d'un matériau combustible est requis, l'installation doit se conformer aux instructions du fabricant de la cheminée.

Mode d'emploi et guide du propriétaire

CONNEXION DE RACCORD DE CHEMINÉE SUR UNE CHEMINÉE EN MAÇONNERIE, AU TRAVERS D'UN MUR COMBUSTIBLE

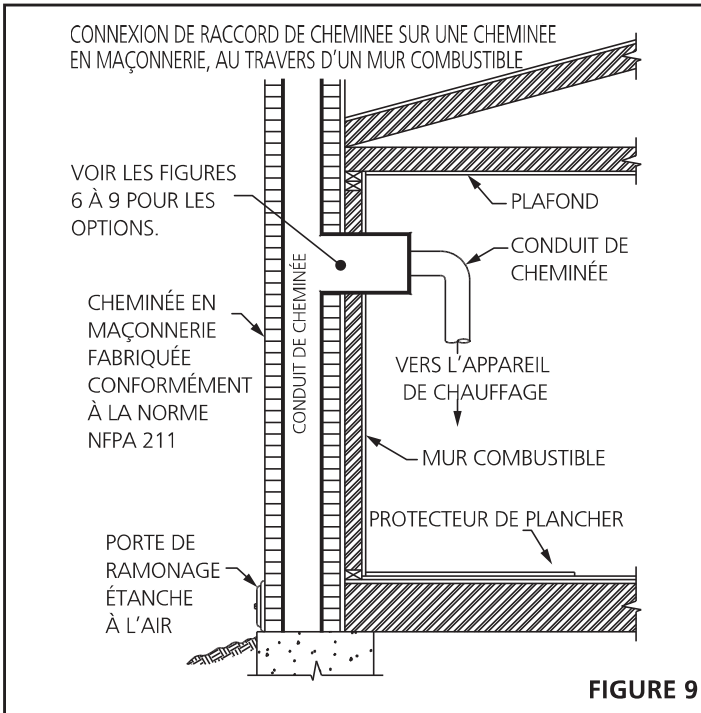


FIGURE 9

Les figures dans ce manuel démontrent comment connecter le raccord de cheminée d'un appareil de chauffage sur une cheminée en maçonnerie, au travers d'un mur combustible. Il y a cinq (5) méthodes par lesquelles un raccord de cheminée peut être connecté sur une cheminée en maçonnerie, en passant au travers d'un mur combustible. La norme NFPA 211 permet les systèmes suivants de passage au travers d'un mur :

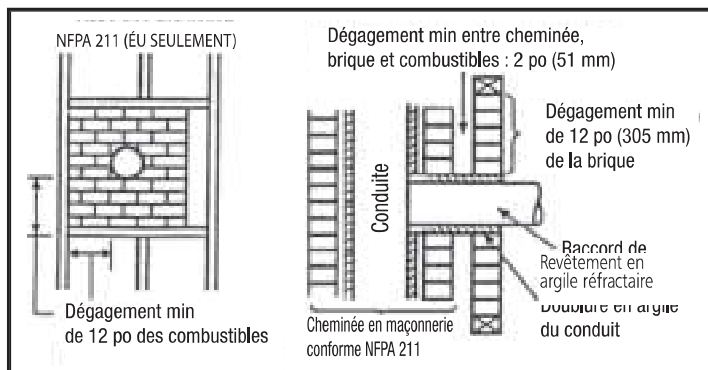


Figure 10

Une maçonnerie d'un minimum de 3,5 po (89 mm) d'épaisseur entièrement encadrée dans le mur combustible. Un revêtement en argile réfractaire (ASTM C315 ou équivalent) sur un mur ayant un minimum d'épaisseur de 5/8 po doit être utilisé, et il doit être éloigné d'au moins 12 po (30,5 cm) de tout matériau qui puisse prendre en feu. Le diamètre intérieur du revêtement en argile réfractaire doit être dimensionné pour obtenir un ajustement serré d'un diamètre de 6 po (15 cm) pour un conduit de raccord de cheminée. Le revêtement en argile réfractaire doit courir de la surface extérieure du mur de brique vers, mais pas au-delà, la surface intérieure du revêtement de conduit de cheminée, et il doit être solidement collé en place.

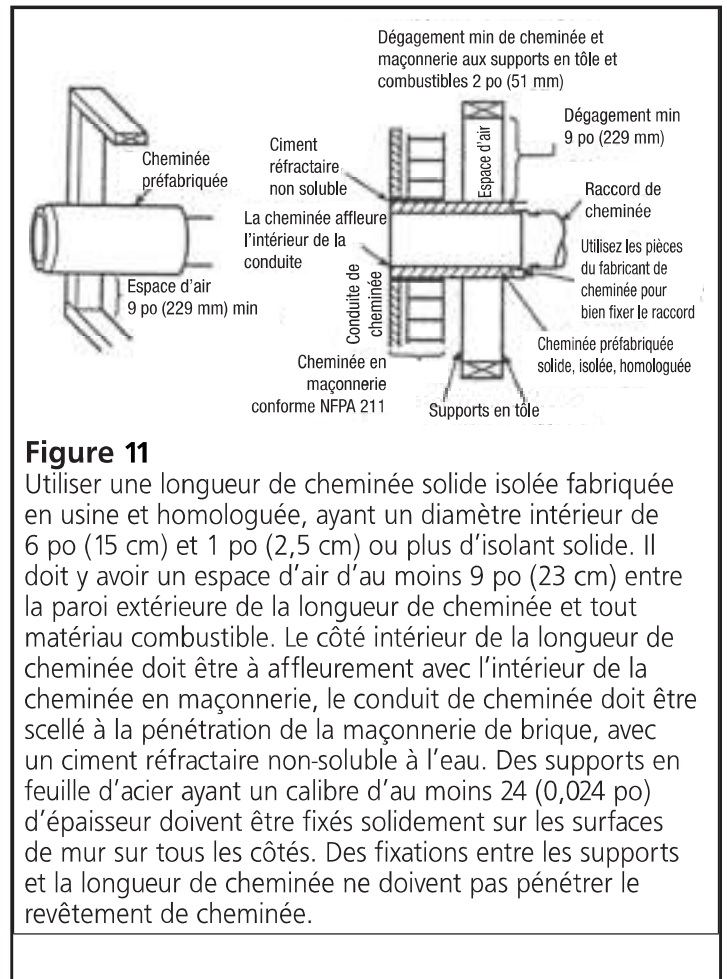


Figure 11

Utiliser une longueur de cheminée solide isolée fabriquée en usine et homologuée, ayant un diamètre intérieur de 6 po (15 cm) et 1 po (2,5 cm) ou plus d'isolant solide. Il doit y avoir un espace d'air d'au moins 9 po (23 cm) entre la paroi extérieure de la longueur de cheminée et tout matériau combustible. Le côté intérieur de la longueur de cheminée doit être à affleurement avec l'intérieur de la cheminée en maçonnerie, le conduit de cheminée doit être scellé à la pénétration de la maçonnerie de brique, avec un ciment réfractaire non-soluble à l'eau. Des supports en feuille d'acier ayant un calibre d'au moins 24 (0,024 po) d'épaisseur doivent être fixés solidement sur les surfaces de mur sur tous les côtés. Des fixations entre les supports et la longueur de cheminée ne doivent pas pénétrer le revêtement de cheminée.

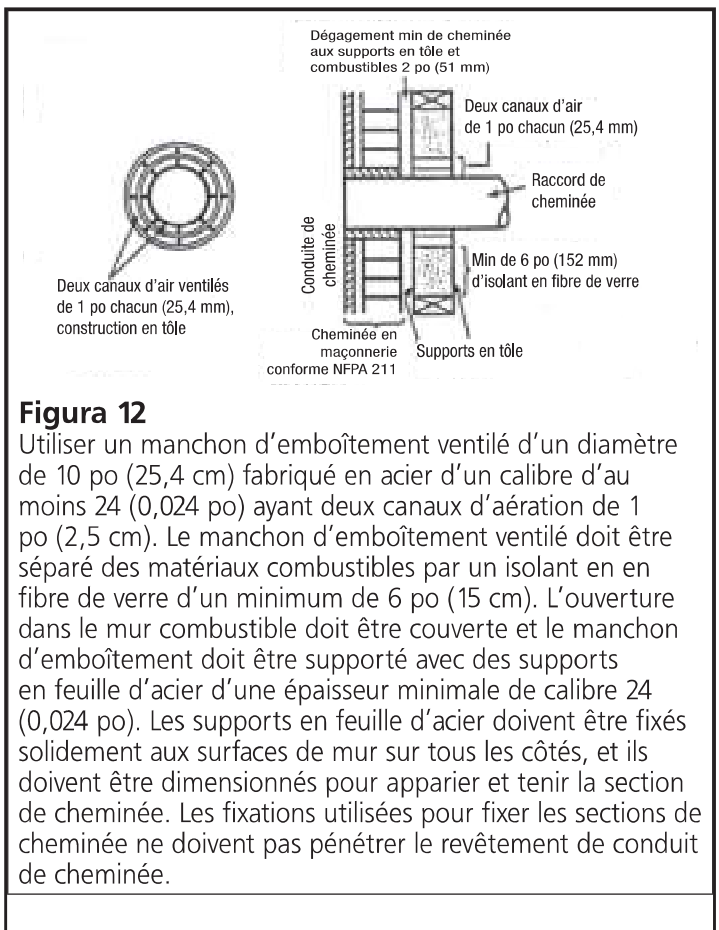


Figure 12

Utiliser un manchon d'emboîtement ventilé d'un diamètre de 10 po (25,4 cm) fabriqué en acier d'un calibre d'au moins 24 (0,024 po) ayant deux canaux d'aération de 1 po (2,5 cm). Le manchon d'emboîtement ventilé doit être séparé des matériaux combustibles par un isolant en fibre de verre d'un minimum de 6 po (15 cm). L'ouverture dans le mur combustible doit être couverte et le manchon d'emboîtement doit être supporté avec des supports en feuille d'acier d'une épaisseur minimale de calibre 24 (0,024 po). Les supports en feuille d'acier doivent être fixés solidement aux surfaces de mur sur tous les côtés, et ils doivent être dimensionnés pour appairer et tenir la section de cheminée. Les fixations utilisées pour fixer les sections de cheminée ne doivent pas pénétrer le revêtement de conduit de cheminée.

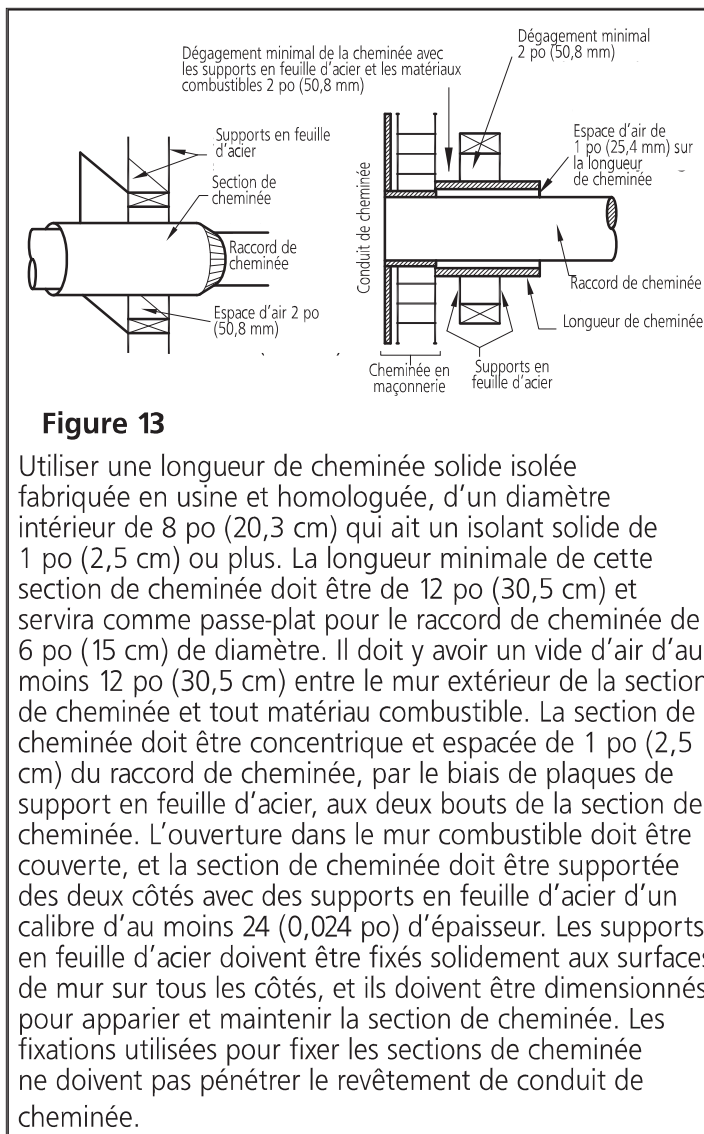


Figure 13

Utiliser une longueur de cheminée solide isolée fabriquée en usine et homologuée, d'un diamètre intérieur de 8 po (20,3 cm) qui ait un isolant solide de 1 po (2,5 cm) ou plus. La longueur minimale de cette section de cheminée doit être de 12 po (30,5 cm) et servira comme passe-plat pour le raccord de cheminée de 6 po (15 cm) de diamètre. Il doit y avoir un vide d'air d'au moins 12 po (30,5 cm) entre le mur extérieur de la section de cheminée et tout matériau combustible. La section de cheminée doit être concentrique et espacée de 1 po (2,5 cm) du raccord de cheminée, par le biais de plaques de support en feuille d'acier, aux deux bouts de la section de cheminée. L'ouverture dans le mur combustible doit être couverte, et la section de cheminée doit être supportée des deux côtés avec des supports en feuille d'acier d'un calibre d'au moins 24 (0,024 po) d'épaisseur. Les supports en feuille d'acier doivent être fixés solidement aux surfaces de mur sur tous les côtés, et ils doivent être dimensionnés pour appairer et maintenir la section de cheminée. Les fixations utilisées pour fixer les sections de cheminée ne doivent pas pénétrer le revêtement de conduit de cheminée.

Un système homologué de mur passe-plat fabriqué en usine peut être acheté et installé conformément aux instructions fournies avec, pour fournir une méthode sécuritaire de passage du raccord de cheminée au travers d'un mur combustible pour la connexion sur une cheminée en maçonnerie.

REMARQUE : Pour les installations résidentielles et maisons ou structures au Canada, où le passage à travers un mur ou une cloison de construction combustible est souhaité, l'installation doit être conforme à la norme CAN/CSA-B365.

EXIGENCES ADDITIONNELLES

1. Le matériau d'isolation utilisé comme une partie du passage au travers du mur doit être en matériau non-combustible, et doit avoir une conductivité thermique de $1,0 \text{ Btu} \cdot \text{po}/\text{pi}2 \cdot ^\circ\text{F}$ ($4,88 \text{ kg} \cdot \text{cal}/\text{HRE} \cdot \text{m}2 \cdot ^\circ\text{C}$) ou moins.
2. Tous les dégagements et épaisseurs sont des valeurs minimales : Des dégagements et des épaisseurs plus grands sont acceptables.

3. Un manchon d'emboîtement de cheminée, tel qu'illustré pour 3 po et 4 po ci-dessus (Figures 12 et 13) doit être pour les types de connexion de 3 po et de 4 po, pour faciliter le retrait du raccord de cheminée pour le nettoyage. Le manchon d'emboîtement de cheminée doit avoir une argile réfractaire conforme à ASTM C315 avec une épaisseur minimale du mur de 5/8 po, ou un matériau d'une durabilité équivalente. Le diamètre intérieur du manchon d'emboîtement doit être dimensionné pour un bon ajustement serré d'un diamètre de conduit de raccord de cheminée de 6 po (15 cm). Le manchon d'emboîtement doit être installé sans endommager le conduit de cheminée. Le manchon d'emboîtement doit s'étendre au travers du mur de la cheminée vers, mais pas au-delà de, la surface intérieure du conduit de cheminée, et doit être collé en place de manière permanente avec de la colle à haute température.
4. Un raccord de cheminée vers une cheminée en maçonnerie, sauf pour la figure 11 ci-dessus avec 2 po, doit s'étendre au travers du système de mur passe-plat vers la face intérieure du conduit de cheminée, mais pas au-delà. Il n'a pas besoin d'être fixé en place pour autant qu'il ne puisse pas être retiré accidentellement de la cheminée ou poussé dans le conduit de cheminée. Si des fixations sont utilisées pour fixer le raccord de cheminée sur une cheminée en maçonnerie, les fixations ne doivent pas pénétrer le revêtement de conduit de cheminée.
5. Tout matériau utilisé pour fermer une ouverture pour le connecteur doit être non-combustible.

CONNEXION D'UN RACCORD DE CHEMINÉE SUR UNE CHEMINÉE EN MAÇONNERIE QUAND LE RACCORD DE CHEMINÉE NE PASSE PAS AU TRAVERS D'UN MUR COMBUSTIBLE

Si le raccord de cheminée n'a pas à passer au travers d'un mur combustible pour passer à une cheminée de maçonnerie, connecter simplement le raccord de cheminée directement sur le manchon d'emboîtement de cheminée de la cheminée en maçonnerie, tel que décrit et illustré dans les Figures 12 et 13. Il faut se rappeler de ce qui suit : Le raccord de cheminée doit s'étendre dans le manchon d'emboîtement de cheminée sur la face interne du conduit de cheminée, mais pas au-delà. Si le raccord de cheminée est étendu au travers d'un manchon d'emboîtement de cheminée dans le conduit de cheminée, une résistance à la circulation de fumée et une accumulation des gaz de cheminée va se produire, ce qui aura un effet adverse sur le fonctionnement et la performance de l'appareil de chauffage et du système d'évacuation.

EXIGENCES POUR LA CHEMINÉE GÉNÉRALITÉS

⚠ MISE EN GARDE :

IL NE FAUT JAMAIS FAIRE DE COMPROMIS DE FORTUNE LORS DE L'INSTALLATION DU SYSTÈME D'ÉVACUATION; FAIRE INSPECTER LES SYSTÈMES EXISTANTS DE CHEMINÉE AVANT DE L'UTILISER, ET IL FAUT S'ASSURER QUE TOUS LES SYSTÈMES DE LA NOUVELLE CHEMINÉE SOIENT INSTALLÉS CONFORMÉMENT AUX SPÉCIFICATIONS DU FABRICANT, ET AVEC UNIQUEMENT DES COMPOSANTS HOMOLOGUÉS UL (ULC SI AU CANADA).

Afin d'évacuer tous les produits de combustion, et aussi pour établir un tirant d'air qui fournisse l'oxygène requis pour la combustion, le poêle doit être installé pour l'utiliser en conjonction avec un des systèmes de cheminée approuvés suivants :

CHEMINÉE EN MAÇONNERIE CHEMISÉE

La cheminée en maçonnerie doit être approuvée par le code, et elle doit avoir un tubage de cheminée. La cheminée en maçonnerie doit être conforme aux codes CAN/ULC-S629. L'installation doit respecter les codes locaux du service des incendies, et NFPA 211 (aux États-Unis) ou CAN/CSAB365- M91 (au Canada).

1. Nettoyer la cheminée en maçonnerie chemisée approuvée par le code.
2. Inspecter le revêtement de la cheminée, et faire toute réparation nécessaire.
3. Si la tuyauterie de connexion du poêle vers une cheminée en maçonnerie se fait au travers d'un mur combustible, consulter un maçon qualifié ou un détaillant de cheminée pour des avis professionnels. Pour assurer la sécurité, l'installation doit être faite uniquement par un installateur qualifié. L'installation doit respecter les réglementations établies par les codes locaux du bâtiment et incendie.
4. Ne pas connecter cet appareil de chauffage dans le même conduit de cheminée que le foyer ou l'évacuation d'un autre appareil de chauffage. La cheminée utilisée pour un appareil de chauffage ne doit pas être utilisée pour ventiler la cave ou le sous-sol.
5. S'il y a une ouverture à la base de la cheminée, elle doit être fermée solidement.

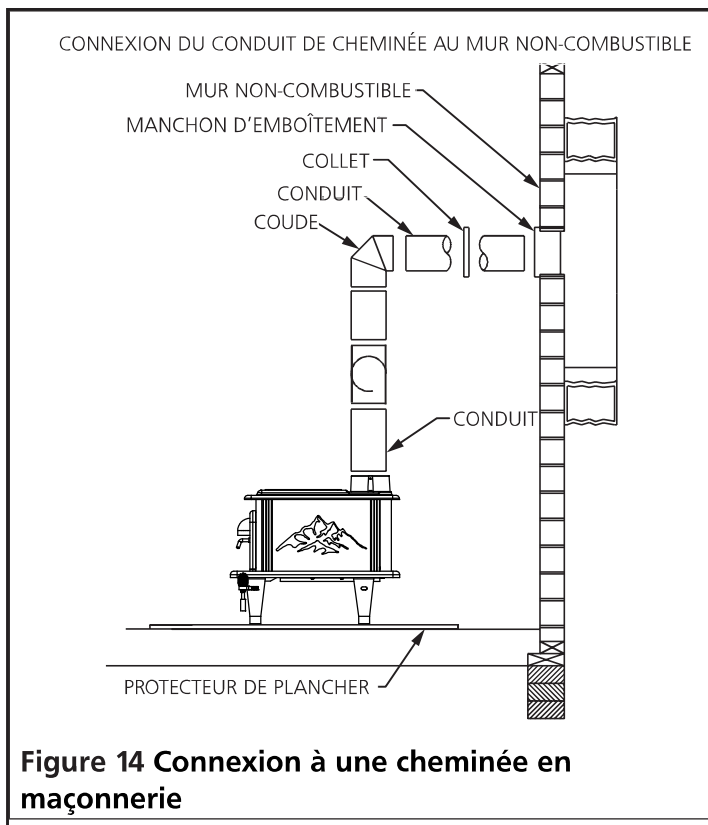


Figure 14 Connexion à une cheminée en maçonnerie

CHEMINÉE PRÉFABRIQUÉE

⚠ **AVERTISSEMENT : NE PAS UTILISER UN CONDUIT DE RACCORDEMENT À SIMPLE PAROI COMME UNE CHEMINÉE.**

- Suivre attentivement les instructions du fabricant de la cheminée.
- Utiliser uniquement des raccords de cheminée HT conforme à UL 103, ULC, d'un diamètre de 6 po (15 cm) noirs ou bleus, en acier d'un calibre minimal de 24.
- Si votre cheminée commence au plafond, vous aurez besoin de suffisamment de conduit de 6 po (15 cm) pour atteindre le plafond.
- Le haut de la cheminée doit être à au moins 3 pi (91 cm) en haut du toit, et être au moins 2 pi (61 cm) plus haut que tout point de la toiture qui se trouve dans un périmètre de 10 pi (3 m).
- Utiliser un conduit à double ou triple paroi pour la portion extérieure de la cheminée.
- Communiquer avec vos autorités locales en matière de bâtiment pour leurs méthodes approuvées d'installation, ainsi que pour déterminer les permis et/ou inspections requises.

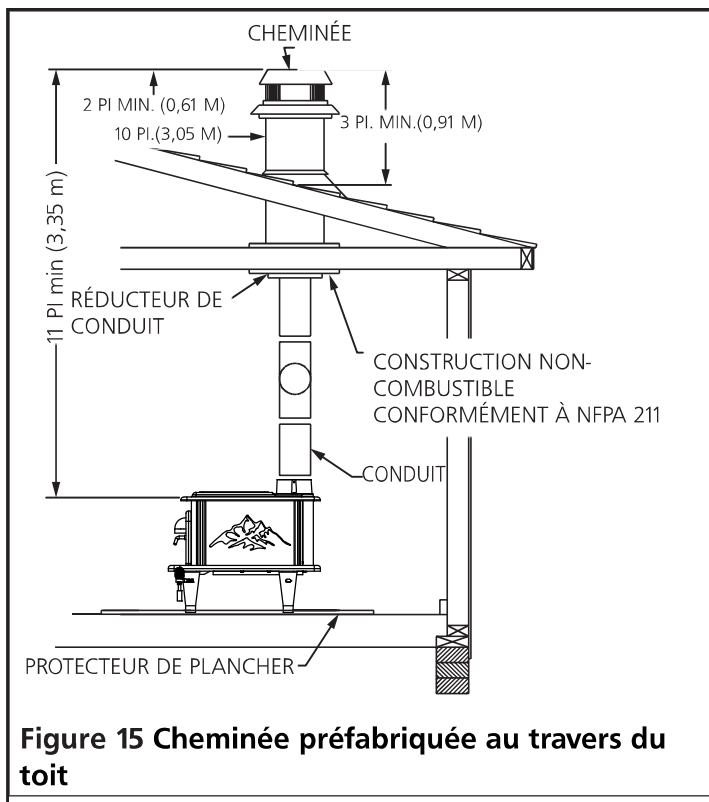


Figure 15 Cheminée préfabriquée au travers du toit

VENTILATION ET CIRCULATION D’AIR DANS LA CHEMINÉE

Le tirant d’air est la force qui déplace l’air de l’appareil en montant dans la cheminée. La quantité de tirant d’air dans votre cheminée dépend de la longueur de la cheminée, de la géographie locale, des obstructions à proximité, et d’autres facteurs. Trop de tirant d’air peut causer des températures excessives dans l’appareil. Un tirant d’air inadéquat peut causer un retour de fumée dans la pièce et le « bouchonnage » de la cheminée. Un tirant d’air inadéquat fera aussi en sorte que l’appareil aura des fuites de fumée dans la pièce, par l’appareil et par les joints de raccord de cheminée. Un brûlage incontrôlable ou des températures excessives indiquent un tirant d’air excessif. Veuillez garder en tête l’emplacement de l’installation : Des problèmes d’inversion et d’autres problèmes de qualité de l’air peuvent survenir dans les vallées, ou si l’appareil est installé à proximité des autres résidences avoisinantes. Pour obtenir et maintenir le tirant d’air, il faut notamment :

- Respecter toutes les exigences concernant la cheminée.
- Sceller toute et toutes les connexions de tuyauterie d’entrée et d’évacuation.
- Éviter les coudes et les longues courses horizontales de tuyauterie.
- Nettoyer fréquemment la tuyauterie d’évacuation.
- Si un autre appareil évacue son air vers l’extérieur et qu’il crée une pression négative, l’air peut être aspiré dans votre cheminée en direction inverse plutôt que

d’évacuer l’appareil de chauffage. Il faut annuler cet effet par l’ouverture d’une porte ou d’une fenêtre avoisinante.

⚠ AVERTISSEMENT : De l’air de combustion additionnel doit être amené de l’extérieur si ces indications ou d’autres indications de privation d’air dans la pièce suggèrent un besoin pour une ventilation adéquate :

- Si l’appareil qui brûle du carburant solide ne tire pas de manière constante, subit des renversements de fumée, brûle piètrement, ou s’il refoule la fumée qu’il y ait ou non une combustion présente.
- Si l’équipement existant alimenté au carburant dans la résidence, comme un foyer ou autre appareil de chauffage, dégage une odeur, ne fonctionne pas correctement, souffre de renversement de fumée quand il est ouvert, ou crée un tirant d’air inverse, qu’il y ait ou non une combustion présente.
- Chacun des symptômes ci-dessus peut être annulé en ouvrant légèrement une fenêtre ou une porte lors d’une journée calme (sans vent).
- Si la résidence est équipée avec un coupe-vapeur bien scellé et des fenêtres à ajustement étanche, et/ou qu’elle comporte un ou des appareils qui évacuent l’air de la résidence.
- S’il y a une condensation excessive sur les fenêtres en hiver, et
- Si un système de ventilation dans la résidence est en panne.

CONSEILS SUR LE FONCTIONNEMENT DE LA CHEMINÉE

Ne pas s’attendre à ce qu’un appareil de chauffage tire. C’est la cheminée qui crée le tirant d’air. Le renversement de la fumée dans la résidence ou une accumulation excessive d’eau ou de crésote dans la cheminée sont des avertissements à l’effet que la cheminée ne fonctionne pas correctement.

1. Le conduit de raccordement pourrait pousser trop loin dans la cheminée, bloquant ainsi le tirant d’air.
2. Ne pas connecter deux appareils de chauffage dans le même conduit de cheminée.
3. La cheminée utilisée pour un appareil de chauffage ne doit pas être utilisée pour ventiler la cave ou le sous-sol. S’il y a une ouverture pour le nettoyage à la base de la cheminée, elle doit être fermée de manière étanche.
4. Si la cheminée fonctionne alors qu’elle est trop froide, l’eau va se condenser dans la cheminée et retournera dans le poêle. La formation de crésote sera rapide et pourrait même bloquer la cheminée. Faire fonctionner l’appareil de chauffage avec un feu suffisamment élevé pour garder la cheminée bien chaude permettra de prévenir cette condensation.

5. Si le feu brûle bien, mais que quelquefois il émet de la fumée ou qu'il brûle lentement, cela peut être causé par le fait que le haut de la cheminée pourrait être plus bas qu'une autre partie de la résidence ou qu'un arbre avoisinant. Le vent soufflant sur une résidence ou sur un arbre, tombe sur le dessus de la cheminée comme de l'eau qui coule en haut d'un barrage, et rabat la fumée vers le bas. Le haut de la cheminée doit être au moins 3 pi (91 cm) au-dessus du toit, et à au moins de 2 pi (61 cm) plus haut que tout point de la toiture qui se trouverait à moins de 10 pi (3 m).

⚠ MISE EN GARDE : UN INCENDIE DE CHEMINÉE PEUT CAUSER L'IGNITION DES POTEAUX MURAL OU DES ARBALÉTRIERS DONT ON A ASSUMÉ QU'ILS ÉTAIENT À UNE DISTANCE SÉCURITAIRE DE LA CHEMINÉE. SI UN INCENDIE DE CHEMINÉE S'EST PRODUIT, IL FAUT FAIRE INSPECTER VOTRE CHEMINÉE PAR UN EXPERT QUALIFIÉ, AVANT DE LA RÉUTILISER À NOUVEAU.

FONCTIONNEMENT

- ⚠ MISE EN GARDE :**
- CET APPAREIL EST CHAUD PENDANT SON FONCTIONNEMENT. TENIR ÉLOIGNÉ DES ENFANTS, DES VÊTEMENTS ET DES MEUBLES. UN CONTACT AVEC LA PEAU PEUT CAUSER DES BRÛLURES.
 - NE PAS BRÛLER DES DÉCHETS OU DES LIQUIDES INFLAMMABLES TEL QUE DE L'ESSENCE, DU NAPHTÉ OU DE L'HUILE À MOTEUR.
 - NE JAMAIS UTILISER DE L'ESSENCE, DU CARBURANT DE TYPE POUR LANterne, DU KÉROSÈNE, DU LIQUIDE D'ALLUMAGE DE CHARBON DE BOIS, OU DES LIQUIDES SIMILAIRES POUR DÉMARRER OU « ATTISER » UN FEU DANS CET APPAREIL DE CHAUFFAGE. GARDER TOUS CES LIQUIDES BIEN ÉLOIGNÉS DE L'APPAREIL DE CHAUFFAGE PENDANT SON UTILISATION.
 - L'EMBALLEMENT DE L'APPAREIL PEUT CAUSER L'INCENDIE DE LA RÉSIDENCE. SI UNE UNITÉ OU UN RACCORD DE CHEMINÉE LUIT D'UNE LUEUR ROUGEoyANTE, CELA INDIQUE QUE VOTRE APPAREIL EST EN EMBALLEMENT.

⚠ AVERTISSEMENT : NE JAMAIS RANGER DES LIQUIDES INFLAMMABLES, SPÉCIALEMENT DE L'ESSENCE, À PROXIMITÉ DE CET APPAREIL DE CHAUFFAGE. NE PAS OBSTRUER L'ESPACE AU-DESSOUS DE L'APPAREIL DE CHAUFFAGE. NE JAMAIS FAIRE FONCTIONNER CET APPAREIL DE CHAUFFAGE AVEC LA PORTE DE CARBURANT OUVERTE. UTILISER SEULEMENT LES PATTES QUI SONT FOURNIES AVEC CET APPAREIL DE CHAUFFAGE. SE RÉFÉRER À LA SECTION « INSTALLATION » DE CE MANUEL.

CARBURANT APPROUVÉ :

⚠ MISE EN GARDE : UTILISER SEULEMENT DU BOIS OU DES MATÉRIaux SEMBLABLES AU BOIS. NE PAS UTILISER DU CHARBON OU DE LA HOUILLE. L'USAGE DU CHARBON OU DE LA HOUILLE DÉTRUIRA VOTRE CHAMBRE DE COMBUSTION. NE PAS UTILISER DU BOIS D'ŒUVRE DÉBITÉ OU DU BOIS TRAITÉ.

⚠ AVERTISSEMENT : LE BRÛLAGE DE CARBURANT AUTRE QUE DU BOIS, PARTICULIÈREMENT DU CHARBON ET DE LA HOUILLE, PEUT CAUSER DES CONCENTRATIONS DANGEREUSE DE MONOXYDE DE CARBONE ÉMISES DANS L'UNITÉ RÉSIDENtIELLE. POUR CES MOTIFS, NE JAMAIS BRÛLER DU CHARBON OU DE LA HOUILLE DANS CE POÊLE À BOIS. L'INSTALLATION D'UN DÉTECTEUR DE MONOXYDE DE CARBONE, ET ÊTRE AVISÉ DES SYMPTÔMES D'UN EMPOISONNEMENT AU MONOXYDE DE CARBONE PEUT AIDER À RÉDUIRE LES RISQUES DE PROBLÈMES EN RELATION AVEC LE MONOXYDE DE CARBONE.

⚠ MISE EN GARDE : NE JAMAIS TENTER D'UTILISER UN DES MATÉRIAUX SUIVANTS COMME CARBURANT :

- Bois non-séché (vert, mouillé, ou du bois fraîchement coupé);
- Traverses de chemin de fer ou du bois traité sous pression;
- Produits en papier, en carton, ou en panneau de particules;
- Bois de grève ou autre matériau qui a été saturé d'eau salée;
- Débris de construction ou de démolition
- Ordures ménagères;
- Restes ou fumier d'animal;
- Résidus de tonte ou déchets de jardin;
- Produits pétroliers usés,
- Matériaux contenant :
 - Amiante
 - Plastique
 - Caoutchouc (y compris des pneus)
- Produits pétroliers comme :
 - Peintures
 - Diluants à peinture
 - Produits d'asphalte

Le brûlage de ces matériaux peut causer le dégagement d'émanations toxiques, ou rendre l'appareil de chauffage inefficace, et peut causer de la fumée.

Le fonctionnement de cet appareil de chauffage au bois de manière qui soit contraire à ce qui est contenu dans ce guide du propriétaire entraînera l'annulation de votre garantie, et cela va aussi à l'encontre des réglementations fédérales.

⚠ MISE EN GARDE : BRÛLER UNIQUEMENT DU BOIS NON TRAITÉ. D'AUTRES MATÉRIAUX TELS QUE DES PRÉSERVATIFS POUR LE BOIS, DES FEUILLES DE MÉTAL, DU CHARBON, DU PLASTIQUE, DES ORDURES MÉNAGÈRES, DU SOUFFRE, OU DE L'HUILE, PEUT ENDOMMAGER LE POÊLE.

- Votre poêle à bois a été conçu pour brûler uniquement du bois naturel, bien sec; aucun autre matériau ne doit y être brûlé. Tous les types de bois naturel bien sec peuvent être utilisés dans votre poêle, toutefois, certaines variétés spécifiques offrent des rendements énergétiques meilleurs que d'autres. De meilleures efficacités et des émissions réduites sont généralement le résultat lors du brûlage de bois franc sec, bien asséché à l'air, en comparaison avec du bois mou ou trop vert ou même du bois franc fraîchement coupé.

- Le bois mort qui repose sur le plancher forestier doit être considéré comme étant mouillé, et il requiert un temps de séchage complet. Le bois mort qui provient d'un arbre encore debout peut être considéré comme étant sec au 2/3.
- Des petites pièces de bois sècheront plus rapidement. Toutes les bûches dépassant un diamètre de 6 po (15 cm) doivent être fendues.
- Le bois ne doit pas être rangé directement sur le sol. L'air doit circuler au travers des bûches. Un vide d'air de 24 à 48 po (61 cm à 1,2 m) doit être conservé entre chaque rangée de bûches, lesquelles doivent être placées dans l'emplacement le plus ensoleillé qui soit possible. La couche de bois du dessus doit être protégée contre les éléments, mais pas les côtés. Un bon indicateur pour savoir si le bois est prêt à brûler consiste à vérifier les bouts des bûches. Si des craquelures irradiant dans toutes les directions à partir du centre, cela indique que le bois doit être assez sec pour le brûler.
- Il est très important de garder à l'esprit que même si le bois a été coupé depuis une, deux ou même plusieurs années, il n'est pas nécessairement sec, surtout s'il a été rangé dans de piètres conditions. Dans certaines conditions extrêmes, il peut même pourrir plutôt que de sécher.
- La vaste majorité des problèmes relatifs au bon fonctionnement d'un poêle à bois est causée par le fait que le bois utilisé était trop humide, ou qu'il avait séché dans de mauvaises conditions.

⚠ MISE EN GARDE : Les tentatives d'utiliser du bois mouillé ou du bois non-séché vont entraîner les problèmes suivants :

- **Difficulté d'allumage.**
- **Accumulation accélérée de crésote, pouvant résulter en un incendie de cheminée.**
- **Combustion incomplète.**
- **Fenêtres noircies.**
- **Faible rendement calorifique.**

Ne pas brûler des bûches préfabriquées qui soient fabriquées avec des sciures de bois imprégnées de cire, ou des bûches contenant quelque additif chimique. Les bûches préfabriquées et qui sont fabriquées à 100 % avec des sciures de bois compressées peuvent être brûlées, mais il faut faire attention de ne pas faire brûler trop de ces bûches en même temps. Commencer avec une bûche préfabriquée, et surveiller comment réagira le poêle. On peut ensuite augmenter

le nombre de buches brûlées en même temps, mais il faut s'assurer que la température ne monte jamais plus haut que 475 °F (246 °C) sur un thermomètre magnétique pour installation sur les conduits à simple paroi de poêle, ou plus haut que 900 °F (482 °C) sur un thermomètre avec sonde pour installation sur le tuyau à double paroi. Le thermomètre doit être placé à environ 18 po (45,7 cm) au-dessus du poêle. Des températures plus élevées peuvent causer une surchauffe, et endommager votre poêle.

Certains produits d'allumage de feu peuvent être utilisés au tout début pour aider à allumer le bois. Parmi les exemples de produit d'allumage de feu efficaces, citons notamment les ouates en papier, le carton, du bran de scie, de la cire, et des produits similaires mis en marché explicitement aux fins d'allumage de feu. Le brûlage de ces matériaux peut causer le dégagement d'émanations toxiques, rendre le poêle inefficace, et causer de la fumée. Il faut faire des recherches et bien comprendre les directives et les risques attendant à votre choix de produit d'allumage.

Ne pas ranger des matériaux d'allumage ou du bois de foyer sur le protecteur de plancher, sous le tuyau de poêle, à quelque endroit qui soit moindre que le dégagement minimal des surfaces combustibles spécifiées en page 6 ou que l'espace requis pour le chargement et le retrait des cendres.

Le bois doit être rangé dans un endroit sec, et bien ventilé.

PRÉCAUTIONS CONCERNANT LE FONCTIONNEMENT

⚠ Avertissement : cette unité a été conçue pour fonctionner uniquement avec la porte fermée et bien verrouillée solidement. Le fonctionnement de cette unité avec la porte verrouillée de manière lâche ou ouverte permettra à une quantité excessive d'air de combustion d'atteindre le feu, et cela va causer des températures de l'unité dangereusement élevées. Les températures « d'emballement » trop élevées peuvent endommager l'appareil, annuler la garantie ou allumer le créosote qui est déposé dans le système de cheminée par les brûlages antérieurs lents.

⚠ MISE EN GARDE :

- **NE JAMAIS FAIRE BRÛLER À TROP HAUTE TEMPÉRATURE CET APPAREIL CAR CELA PEUT CAUSER UN INCENDIE DE L'IMMEUBLE/LA RÉSIDENCE. UN SIGNE QUE VOUS AURIEZ ATTEINT L'EMBALLEMENT EST SI L'APPAREIL COMMENCE À DEVENIR ROUGE OU À PRODUIRE UNE LUEUR ROUGEoyANTE.**
- **NE PAS UTILISER DES PRODUITS CHIMIQUES OU DES LIQUIDES POUR ALLUMER LE FEU.**
- **NE JAMAIS FAIRE UN FEU QUI SOIT EXCESSIVEMENT PUISSANT DANS CE TYPE D'APPAREIL CAR CELA PEUT CAUSER DES DOMMAGES À LA CHAMBRE DE COMBUSTION, OU DES FUITES DE FUMÉE.**
- **CET APPAREIL EST CHAUD PENDANT SON FONCTIONNEMENT. GARDER LES ENFANTS, LES VÊTEMENTS, ET LES MEUBLES ÉLOIGNÉS. UN CONTACT AVEC LA PEAU PEUT CAUSER DES BRÛLURES. NE PAS TOUCHER L'APPAREIL JUSQU'À CE QU'IL AIT REFROIDI.**
- **FOURNIR UNE QUANTITÉ ADÉQUATE D'AIR DE COMBUSTION DANS LA PIÈCE OÙ L'APPAREIL EST INSTALLÉ.**
- **INSPECTER LE REVÊTEMENT DE LA CHEMINÉE À TOUS LES 60 JOURS. REMPLACER LE REVÊTEMENT IMMÉDIATEMENT S'IL EST ROUILLÉ OU S'IL LAISSE FUIR DE LA FUMÉE DANS LA PIÈCE.**
- **LES TENTATIVES VISANT À ATTEINDRE DES NIVEAU DE CHALEUR QUI EXCÈDENT LES TAUX DE PRODUCTION DE CHALEUR DES SPÉCIFICATIONS DE CONCEPTION DE CET APPAREIL DE CHAUFFAGE PEUVENT CAUSER DES DOMMAGES PERMANENTS À L'APPAREIL DE CHAUFFAGE.**

AVERTISSEMENT CONTRE LES ALTÉRATIONS À CE PRODUIT

Cet appareil de chauffage au bois comporte un faible taux de brûlage établi par le fabricant qui ne doit en aucun cas être altéré. Il est interdit par les réglementations fédérales de tenter d'altérer ce réglage ou de faire fonctionner autrement cet appareil de chauffage au bois d'une manière qui soit inconsistante avec le mode d'emploi décrit dans ce manuel.

EFFICACITÉ

- Les valeurs d'efficacité peuvent être basées soit sur la valeur inférieure de chauffage (VIC) ou les valeurs supérieures de chauffage (VSC) du carburant.
- La valeur inférieure de chauffage est lorsque l'eau quitte le processus de combustion sous forme de vapeur, dans le cas des poêles à bois, l'humidité dans le bois qui brûle quitte le poêle sous forme de vapeur.
- La valeur supérieure de chauffage est lorsque l'eau quitte le processus de combustion entièrement condensée.

- Dans le cas des poêles à bois, cela revient à assumer que les gaz d'évacuation sont à la température de la pièce quand ils quittent le système, ainsi, les calculs utilisant cette valeur de chauffage considèrent la chaleur montant dans la cheminée; comme une énergie perdue.
- Ainsi, l'efficacité calculée en utilisant la valeur inférieure de chauffage du bois sera supérieure à l'efficacité calculée en utilisant la valeur supérieure de chauffage. Le meilleur moyen pour atteindre des efficacités optimales est d'apprendre les caractéristiques de combustion de votre appareil, et de brûler du bois bien sec.
- Des taux de combustion plus élevés ne sont pas toujours les meilleurs taux de combustion pour le chauffage; après avoir établi un bon feu, un taux de combustion plus faible peut s'avérer une meilleure option pour un chauffage efficace. Un taux de combustion plus faible ralentit la circulation de chaleur utilisable vers l'extérieur de la résidence, par la cheminée, et cela permet aussi de consommer moins de bois.

SÉCHAGE DE LA PEINTURE

REMARQUE : EN RAISON DES HAUTES TEMPÉRATURES DE FONCTIONNEMENT, CE POÊLE UTILISE UNE PEINTURE SPÉCIALEMENT CONÇUE POUR LA HAUTE TEMPÉRATURE. AFIN DE PERMETTRE À LA PEINTURE D'ADHÉRER DURABLEMENT SUR LE POÊLE, IL FAUT EFFECTUER LA PROCÉDURE SUIVANTE :

6. Partir un petit feu à basse température (250 °F/121 °C) dans le poêle, pendant 20 minutes.
7. Partir à nouveau un autre petit feu à basse température (250 °F/121 °C) dans le poêle, qui durera 20 minutes.
8. Partir un feu final à une température d'environ 500 °F/260 °C dans le poêle, lequel durera 20 minutes.

Le processus de séchage de la peinture est maintenant complété. Fournir une ventilation transversale pour éliminer les odeurs, ou la fumée causée par le processus de séchage.

Avis : Utiliser uniquement du bois comme carburant solide! Ne pas brûler des déchets, ou des liquides inflammables. Ne PAS UTILISER de la houille. Cet appareil n'est pas conçu pour accommoder le débit d'air (tirant d'air) requis pour brûler correctement de la houille ou des produits de la houille. Ne pas élever le feu en utilisant des grilles ou du fer. Il faut partir le feu directement sur la brique réfractaire.

POUR ALLUMER UN FEU

⚠ MISE EN GARDE : POUR ENTREtenir UN FEU DANS LE POÊLE, IL FAUT TOUJOURS PORTER DES VÊTEMENTS IGNIFUGES, ET DES LUNETTES DE PROTECTION.

EMBRASEMENT

1. Commencer avec une grosse pièce de papier, ou avec 2 à 3 feuilles de papier journal, dans le fond du poêle.
2. Ajouter environ 4 lb (1,8 kg) de pièces finement coupées de bandelettes de fausse pruche de 6 po (15 cm) sur le dessus du papier. Voir l'image de la figure 16 ci-dessous pour savoir comment empiler le tout pour un embrasement.



Figure 16

3. Allumer le papier pendant environ 10 à 20 secondes
4. Laisser la porte partiellement ouverte pour permettre à l'air de circuler et d'embraser la fausse pruche. Une fois que le feu est allumé, refermer la porte.
5. Après que votre embrasement ait brûlé jusqu'à -ne laisser qu'environ 1,1 lb (500 g), insérer 4 à 5 lb (1,8 à 2,2 kg) de plus, pour assurer à nouveau l'embrasement.
6. Refermer la porte immédiatement, et laisser brûler jusqu'à une quantité restante d'environ 1,1 lb (500 g).

⚠ AVERTISSEMENT :

- **NE JAMAIS FAIRE SURCHAUFFER VOTRE POÊLE. SI UNE DES PARTIES DE VOTRE POÊLE COMMENCE À PRODUIRE UNE LUEUR ROUGEoyANTE, C'EST QUE LA SURCHAUFFE EST EN TRAIN DE SE PRODUIRE.**
- **L'INSTALLATION D'UN BERCEAU À BUCHES OU D'UNE GRILLE N'EST PAS RECOMMANDÉE DANS VOTRE POÊLE À BOIS. IL FAUT ALLUMER VOTRE FEU DIRECTEMENT SUR LE FOND DU POÊLE.**
- **GARDER LA PORTE FERMÉE, ET LA GARDER BIEN SCÉLLÉE ET EN BONNE CONDITION.**
- **TOUTE TENTATIVE D'ATTEINDRE DES TAUX ÉLEVÉS DE PRODUCTION DE CHALEUR QUI EXCÉDERAIENT LES SPÉCIFICATIONS DE DESIGN DE CET APPAREIL DE CHAUFFAGE PEUT CAUSER DES DOMMAGES PERMANENTS À L'APPAREIL DE CHAUFFAGE.**

PRÉCOMBUSTION

1. Après que l'embrasement aura brûlé jusqu'à ne laisser qu'environ 1,1 lb (500 g), briser l'embrasement pour bâtir un lit adéquat de braises, tel qu'illustré à la figure 18 ci-dessous, puis insérer une précharge. **REMARQUE :** Une précharge est constituée de trois pièces de 2x4 de 16,25 po (41 cm) au bas, et de cinq pièces de 2x4 de 7,125 po (18 cm) sur le dessus. La précharge aura l'air de l'image dans la figure 17 ci-dessous.



Figure 17

Figure 18

2. Laisser brûler la précharge jusqu'à ce qu'il ne reste qu'environ 5,5 lb (2,5 kg) (>15 minutes avant de mettre une nouvelle charge), avant d'ouvrir la porte rapidement pour brasser la précharge.
3. Laisser brûler la précharge jusqu'au bas de l'insertion de la charge (jusqu'à laisser environ 20 % du poids de la charge).
4. Rendu à environ 20 % du poids de la précharge, ouvrir la porte et briser ce qui reste des pièces pour bâtir un lit de braise adéquat, puis insérer la charge.

CHARGE

1. Rendu à 20 % du poids de la précharge de combustion, briser les pièces pour refaire le lit de braise, et ajouter la charge; fermer la porte immédiatement.
IMPORTANT : Le bris du lit de braise et l'insertion de la charge doit être fait en moins de 60 secondes. Voir la figure 19 ci-dessous pour la bonne configuration du chargement, à l'extérieur et à l'intérieur du poêle.

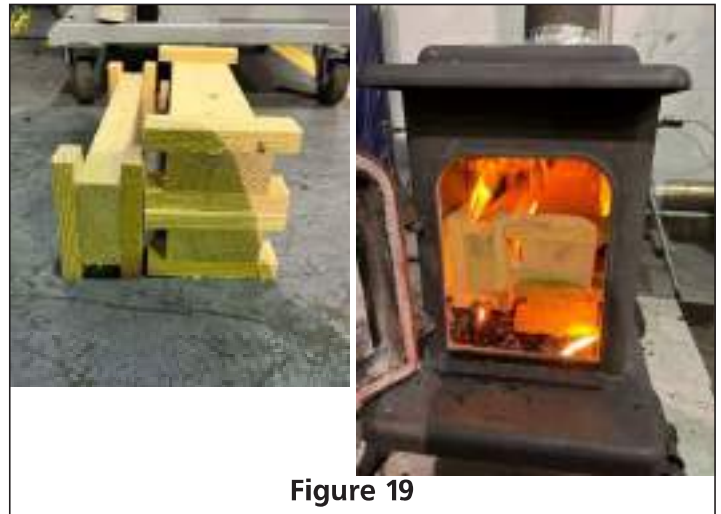


Figure 19

IMPORTANT: Lors de la fermeture de la porte, il faut s'assurer qu'il n'y ait pas de débris entre la porte et le cadre de porte, car sinon, le joint d'étanchéité sera endommagé.

IMPORTANT: Lors d'un ajout de bois, il faut prendre soin de ne pas étouffer le feu. S'assurer que les braises n'obstruent pas l'arrivée d'air. Ne pas ajouter plus de bois avant que le bois inséré précédemment ait suffisamment brûlé et qu'il soit en braises. En respectant ces étapes, votre poêle atteindra le réglage d'une combustion avec les émissions les plus propres, de plus, cela préviendra de surchauffer votre poêle.

TESTER LE BOIS

- Quand le poêle sera amplement réchauffé, placer une pièce de bois fendu (environ cinq po/13 cm de diamètre) sur le lit de braises rouges, parallèlement à la porte.
- Fermer la porte. Si le bois s'enflamme dans les 90 secondes du moment où il a été placé pour la première fois dans le poêle, cela indique que votre bois est séché correctement. Si son allumage prend plus de temps, c'est que votre bois est humide.
- Si votre bois produit un sifflement et que l'eau ou de la vapeur s'échappe des bouts de la pièce, c'est que votre bois est mouillé ou fraîchement coupé (vert). Ne PAS UTILISER ce bois dans votre poêle. De grandes quantités de créosote pourraient se déposer dans votre cheminée, créant des conditions potentielles de création d'incendie de cheminée.

⚠ MISE EN GARDE : NE PAS FAIRE SURCHAUFFER L'APPAREIL. VOUS AVEZ ATTEINT UN EMBALLEMENT SI UNE DES PIÈCES DE L'APPAREIL LUIT D'UNE LUEUR ROUGEoyANTE. REFERMER LA PORTE POUR RÉDUIRE L'ARRIVÉE D'AIR, ET POUR RALENTIR LE FEU.

- La quantité de fumée visible qui est produite peut s'avérer une méthode efficace dans la détermination de l'efficacité du processus de combustion, qui se produit avec des réglages donnés.
- La fumée visible est constituée de carburant non-brûlé et d'humidité, qui quittent votre poêle. Il faut apprendre à ajuster les réglages de votre appareil spécifique permettant de ne produire que la quantité la plus petite de fumée visible possible. Le bois qui n'aurait pas séché correctement et qui comporte une teneur élevée en humidité produira de la fumée visible en excès, et il va brûler incorrectement.
- Les tubes d'air assemblés dans cette unité sont conçus pour fournir un mélange précis d'air secondaire, afin d'assurer les efficacités les plus élevées. Tout dommage ou détérioration de ces tubes peut réduire l'efficacité de la combustion.
- Le brûlage du bois produit naturellement des émissions de fumée et de monoxyde de carbone (CO). Le CO est un gaz toxique si vous êtes exposé à des concentrations élevées, pendant de longues périodes. Bien que les systèmes modernes de combustion dans les appareils de chauffage permettent de réduire de manière drastique la quantité de CO qui est émise par la cheminée, une exposition à ces gaz dans un endroit clos ou confiné peut être extrêmement dangereux. Il faut s'assurer que les joints d'étanchéité de votre poêle, et que les joints de votre cheminée, soient en bonne condition de fonctionnement et qu'ils scellent l'appareil correctement, pour assurer d'éviter toute exposition inattendue. Il est recommandé d'utiliser des moniteurs de fumée et de CO dans les endroits propices à la formation du monoxyde de carbone.

⚠ MISE EN GARDE : LE BRÛLAGE DE FEU LENT PENDANT DE LONGUES PÉRIODES, OU LE BRÛLAGE DE BOIS VERT, PEUT CAUSER DES ACCUMULATIONS ÉLEVÉES DE CRÉOSOTE. L'IGNITION DU CRÉOSOTE OU UN EMBALLEMENT PEUT CAUSER UN INCENDIE DE CHEMINÉE. UN INCENDIE DE CHEMINÉE EST EXTRÊMEMENT CHAUD ET PEUT CAUSER L'ALLUMAGE DES MATÉRIAUX COMBUSTIBLES ENVIRONNANTS. EN CAS D'INCENDIE DE CHEMINÉE, IL FAUT APPELER LES SERVICES DE PROTECTION INCENDIE, IMMÉDIATEMENT!

Voir la section « ENTRETIEN » en page 18 pour une explication sur la formation de la créosote et son élimination. Pour ralentir l'accumulation de créosote dans votre cheminée, il faut s'assurer de respecter les directives suivantes :

- Brûler uniquement le carburant recommandé comme « CARBURANT APPROUVÉ » en page 13.
- Ne pas mélanger du bois vert ou mouillé avec le carburant approuvé. Le bois qui ne s'allume pas mais qui produit un sifflement, pétille et noircit est définitivement trop mouillé. Il causera une accumulation accélérée de créosote dans la cheminée, et il contribuera aussi à réduire la chaleur produite par le poêle.
- Il faut toujours vérifier la présence de dépôt de créosote, au moins une fois à tous les deux mois, et faire le ramonage de votre cheminée au moins une fois par année.
- Si un incendie de cheminée ou de créosote se produit, IL NE FAUT ABSOLUMENT PAS OUVRIR LA PORTE; il faut garder la porte fermée. Attendre que le feu s'éteigne et que l'appareil de chauffage refroidisse, ensuite, inspecter la cheminée pour déterminer la présence de quelque dommage. Si aucun dommage n'est trouvé, il faut effectuer un ramonage de la cheminée afin de s'assurer qu'il ne reste plus de dépôt de créosote dans la cheminée.

⚠ MISE EN GARDE : UN INCENDIE DE CHEMINÉE PEUT CAUSER L'EMBRASEMENT DES POTEAUX MURAL OU DES CHEVRONS QUI SONT ASSUMÉS COMME ÉTANT À UNE DISTANCE SÉCURITAIRE DE LA CHEMINÉE. SI UN INCENDIE DE CHEMINÉE SE PRODUIT, IL FAUT FAIRE INSPECTER VOTRE CHEMINÉE PAR UN EXPERT QUALIFIÉ, AVANT DE LA RÉUTILISER.

DISPOSITION DES CENDRES

Lorsque la cendre s'accumule dans la chambre de combustion ou dans le panier à braise à une hauteur de 4 à 5 po (7,5 à 10 cm) :

1. Après que les cendres aient refroidi, retirer l'excédent de cendres et les vider dans un contenant adéquat.
REMARQUE : Un aspirateur pour la cendre est aussi offert pour la vente, son numéro de modèle est AV65GALB/AV65GALSS.
2. Laisser un lit de cendre d'environ 1 po (2,5 cm) de hauteur sur le fond de la chambre de combustion, pour aider à maintenir un lit de braises chaudes.
3. Les cendres doivent être placées dans un contenant en métal muni d'un couvercle à fermeture étanche, et il faut le déplacer immédiatement à l'extérieur. Le contenant de cendres bien fermé doit être placé sur un plancher non-combustible ou sur le sol, bien éloigné de tout matériau combustible, en attente de sa disposition finale. Si les cendres sont disposées en les enterrant dans le sol ou dispersées autrement localement, elles doivent être conservées dans le contenant fermé, jusqu'à ce que les cendres aient refroidies complètement.
4. Il ne faut pas placer d'autres déchets dans le contenant pour la cendre.

⚠ MISE EN GARDE : LES CENDRES PEUVENT CONTENIR DES BRAISES CHAUDES, MÊME APRÈS DEUX HEURES SUIVANT L'EXTINCTION DU POÊLE.

ENTRETIEN

AVIS : CET APPAREIL DE CHAUFFAGE AU BOIS REQUIERT DES INSPECTIONS PÉRIODIQUES, ET DES RÉPARATIONS À L'OCCASION, POUR ASSURER SON BON FONCTIONNEMENT. LES RÉGLEMENTATIONS FÉDÉRALES INTERDISSENT DE FAIRE FONCTIONNER CET APPAREIL DE CHAUFFAGE AU BOIS D'UNE MANIÈRE QUI SOIT CONTRAIRE AUX INSTRUCTIONS DÉCRITES DANS LE MODE D'EMPLOI DE CE MANUEL. LE FONCTIONNEMENT DE CET APPAREIL DE CHAUFFAGE AU BOIS D'UNE MANIÈRE QUI SOIT CONTRAIRE AUX INSTRUCTIONS DÉCRITES DANS LE GUIDE DU PROPRIÉTAIRE ENTRAÎNERA L'ANNULATION DE VOTRE GARANTIE.

⚠ AVERTISSEMENT : LA CHEMINÉE ET LE RACCORD DE CHEMINÉE DOIVENT ÊTRE EN BONNE CONDITION, ET ILS DOIVENT ÊTRE GARDÉS PROPRES ET BIEN NETTOYÉS, POUR POUVOIR UTILISER CE POÊLE DE MANIÈRE SÉCURITAIRE.

ENTRETIEN QUOTIDIEN

- Inspecter la chambre de combustion pour l'accumulation de cendre; retirer l'excès de cendre, et suivre les instructions ci-dessus concernant la disposition des cendres.

ENTRETIEN MENSUEL

- Vérifier la poignée de porte pour s'assurer de son bon fonctionnement, et pour être certain que le scellement étanche à l'air soit encore assuré par la porte.
- Inspecter le système de cheminée et le raccord de cheminée, et les nettoyer si nécessaire. Bien qu'un nettoyage puisse être requis moins qu'une fois par mois, il faut TOUJOURS inspecter le système d'évacuation mensuellement, pour réduire les risques d'incendie de cheminée.
- Inspecter visuellement le panneau à feu en céramique dans la chambre de combustion pour la présence de craquelure et/ou de cassure. De petites craquelures de surface n'affecteront pas la performance du panneau, mais un panneau craquelé ou effrité doit être remplacé immédiatement.
- Inspecter visuellement les tubes à air secondaires pour la présence de craquelures, d'ondulation et de corrosion. Les tubes à air secondaires doivent être nettoyés avec une brosse métallique. S'il reste des débris dans les trous, taper délicatement avec un bâton en bois pour les éliminer.

ENTRETIEN ANNUEL

- Vérifier le joint d'étanchéité de la porte pour toute trace d'usure et pour assurer qu'il demeure étanche à l'air. Voir ci-dessous pour les instructions de remplacement.
- Nettoyer correctement le système de cheminée et le système de raccord de cheminée. Puisque le raccord de cheminée est généralement exposé à des hautes températures d'échappement, il faut l'inspecter soigneusement pour détecter des fuites et des points faibles; il faut aussi remplacer toute pièce dont l'état serait questionnable. Dans le cas d'un système de cheminée qui passerait directement au travers de la toiture, il faut s'assurer de retirer le panneau à feu en céramique, avant de pousser la brosse de nettoyage de cheminée vers le bas, jusqu'à la chambre de combustion. Faire attention; car de frapper avec force le panneau avec une brosse de nettoyage peut endommager ou détruire le panneau.
- Retirer toute la cendre du poêle.

⚠ AVERTISSEMENT : NE PAS TENTER DE NETTOYER OU D'EFFECTUER UN SERVICE ALORS QUE LE POÊLE EST CHAUD. AVANT D'OUVRIRE LA PORTE DU POÊLE POUR EFFECTUER QUELQUE TYPE DE SERVICE, IL FAUT S'ASSURER QUE LE POÊLE SOIT FROID.

⚠ AVERTISSEMENT : UTILISER UNIQUEMENT DES PIÈCES DE RECHANGE DU FABRICANT D'ORIGINE. L'UTILISATION D'AUTRES PIÈCES PEUT CAUSER DES BLESSURES OU UN DÉCÈS.

LA CRÉOSOTE – SA FORMATION ET LE BESOIN DE L'ÉLIMINER

Un manquement à retirer la créosote peut causer un incendie de cheminée dangereux.

Quand le bois est brûlé lentement, il produit du goudron et d'autres vapeurs organiques, lesquels se combinent avec l'humidité pour former la créosote. Les vapeurs de créosote se condensent dans le conduit de cheminée relativement froid, en raison d'un feu qui brûle lentement. En résultat, des résidus de créosote s'accumulent sur le chemisage de cheminée. Quand elle s'enflamme, cette créosote produit un incendie extrêmement chaud. La cheminée doit être inspectée périodiquement pendant la saison de chauffage, pour déterminer si une accumulation de créosote s'est produite. La présence dans une cheminée de suie ou de créosote dépassant une épaisseur de 3 mm indique le besoin d'un nettoyage immédiat, d'une modification possible des procédures de brûlage, et d'inspections plus fréquentes.

Il faut établir une routine pour le carburant, pour le brûlage du bois et pour les techniques de combustion. Vérifier quotidiennement pour détecter toute présence d'accumulation de créosote jusqu'à ce que votre expérience démontre à quelle fréquence il faut faire le nettoyage pour demeurer sécuritaire. Il faut être avisé que plus le feu est chaud et moins le dépôt de créosote sera important, alors, un nettoyage hebdomadaire peut être nécessaire par temps doux, même si un nettoyage mensuel peut être suffisant pendant les mois les plus froids. Communiquer avec les autorités du service de protection contre les incendies locales, municipales ou provinciales pour de l'information sur comment traiter adéquatement un incendie de cheminée. Il faut avoir un plan qui soit clairement compris pour savoir comment traiter un incendie de cheminée.

RETIRER UN JOINT D'ÉTANCHÉITÉ ENDOMMAGÉ

Avec le temps, le joint d'étanchéité fabriqué en corde de 3/8 po le long de la porte peut perdre sa rigidité. Ce scellement est essentiel pour fournir un scellement qui permettra au poêle de fonctionner de manière sécuritaire. Il est recommandé de changer le joint d'étanchéité de la porte une fois par année, afin d'assurer d'avoir un bon contrôle sur la combustion, une efficacité maximale et pour la sécurité. Communiquer avec le fabricant pour toute information concernant le joint d'étanchéité original ou un équivalent.

Pour remplacer le joint d'étanchéité :

1. S'assurer que toutes les braises et le carburant soient bien refroidis, et que le poêle soit assez froid pour le toucher.
2. Retirer l'ancien joint d'étanchéité, et nettoyer la dalle du joint d'étanchéité avec de la silicone à haute température.
3. Presser le début du joint d'étanchéité de rechange dans la position la plus élevée et la plus à gauche de la dalle du joint d'étanchéité.
4. Continuer à presser le joint d'étanchéité de rechange en sens horaire le long de la dalle du joint d'étanchéité, jusqu'à ce qu'il s'enroule au point où le joint d'étanchéité fut pressé initialement.
5. Découper tout excédent du joint d'étanchéité de rechange, et presser le bout restant dans la dalle pour compléter le scellement.
6. Vous pourrez allumer votre poêle à nouveau environ 24 heures après avoir complété cet ouvrage.

⚠ AVERTISSEMENT : NE JAMAIS FAIRE FONCTIONNER LE POÊLE AVEC UN JOINT D'ÉTANCHÉITÉ BRISÉ OU MANQUANT. CELA PEUT CAUSER DES DOMMAGES AU POÊLE, OU MÊME L'INCENDIE DE LA RÉSIDENCE.

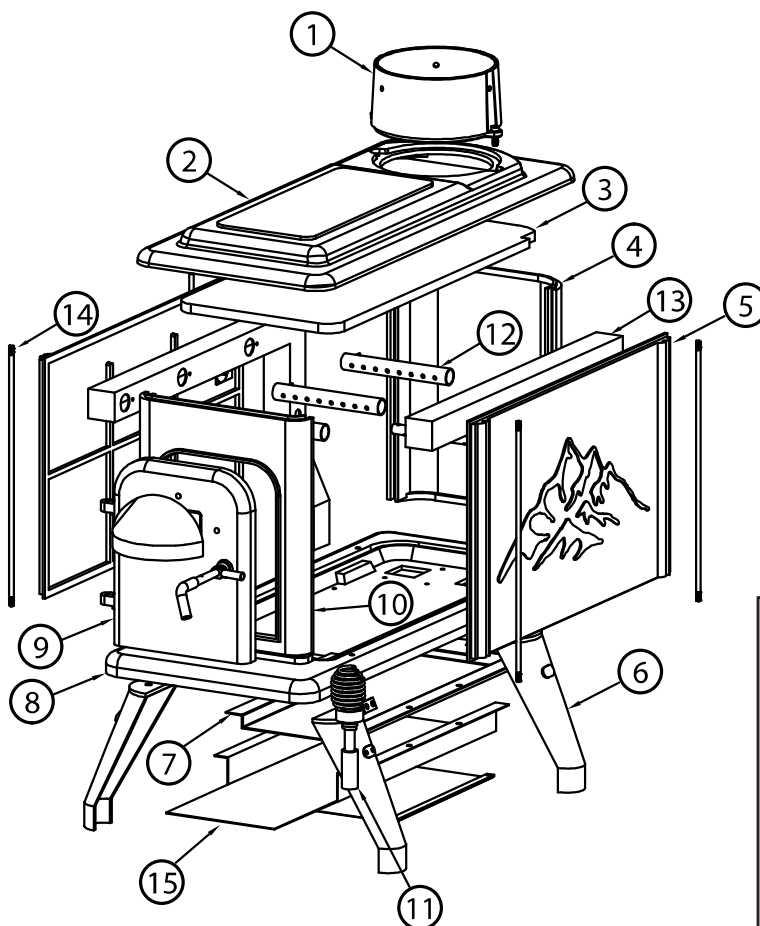
THIS PAGE INTENTIONALLY LEFT BLANK
ESTA PÁGINA INTENCIONALMENTE SE DEJA EN BLANCO
CETTE PAGE A ÉTÉ INTENTIONNELLEMENT LAISSÉE VIERGE

DÉPANNAGE

SYMPTÔME	CAUSE	SOLUTION
Le poêle émet de la fumée dans la pièce	Tirant d'air trop faible.	S'assurer que la cheminée soit suffisamment grande. Se référer à la section portant sur les exigences pour la cheminée, en page 11. Si nécessaire, ajouter une hauteur additionnelle à la cheminée.
Il est difficile d'allumer le feu	Tirant d'air trop faible.	S'assurer que la cheminée soit suffisamment longue. Se référer à la section portant sur les exigences pour la cheminée, en page 10. Si nécessaire, ajouter une hauteur additionnelle à la cheminée.
	La cheminée est froide.	S'assurer que la cheminée soit suffisamment longue. Se référer à la section portant sur les exigences pour la cheminée, en page 10.
		Chauffer le conduit de cheminée en brûlant du papier journal chiffonné dans le poêle.
	L'air redescend de la cheminée.	S'assurer que la cheminée soit suffisamment longue. Se référer à la section portant sur les exigences pour la cheminée, en page 10.
Essayer de chauffer le conduit de cheminée avec un sèche-cheveu, pour corriger le problème de tirant d'air.		
Le feu brûle de manière hors de contrôle	Tirant d'air excessif.	Réduire la longueur de la cheminée.
	Fuite d'air.	Inspecter le joint d'étanchéité de la porte, et le remplacer si nécessaire.
	Brûlage de bois excessivement sec.	Brûler uniquement du bois qui soit bien sec. Ne pas brûler des palettes de bois ou du bois séché au séchoir.
Le feu ne reste pas allumé	Bois mouillé ou vert.	Brûler uniquement du bois qui ait séché pendant au moins une année, et qui soit bien sec et libre de glace et de neige.
	La charge de bois ne surchauffe pas.	Chauffer la charge de bois fraîche jusqu'à ce qu'elle soit entièrement allumée, et qu'une combustion secondaire active soit présente dans la chambre de combustion.
Brûlure inégale ou forte fumée	Fuite dans la porte	Serrez le joint de la porte en déplaçant la pièce de verrouillage vers l'avant/l'arrière sur les filetages. Serrez/desserrez les écrous autour de la pièce de verrouillage jusqu'à ce que la porte se ferme correctement.

PIÈCES DE SERVICE POUR LE MODÈLE H090

REMARQUE : Toutes ces pièces ne sont pas nécessairement disponibles. Pour toute question, veuillez communiquer avec le fabricant.



⚠ AVERTISSEMENT :
Un manquement à positionner les pièces conformément à ces diagrammes, ou un manquement à utiliser uniquement des pièces spécifiquement approuvées avec ce poêle, peut causer des dommages à la propriété ou des blessures corporelles.

N° D'ART.	N° DE PIÈCE	DESCRIPTION
1	66829	Buse
2	S/O	Dessus
3	S/O	Panneau en céramique
4	S/O	Mur arrière
5	S/O	Mur latéral
6	66830	Patte
7	S/O	Passage d'air inférieur
8	S/O	Panneau du bas

N° D'ART.	N° DE PIÈCE	DESCRIPTION
9	66832	Poignée
10	S/O	Mur avant
11	66833	Poignée
12	S/O	Tube à air
13	S/O	Canal d'aération secondaire
14	66834	Tige d'amarrage
15	S/O	Protecteur thermique



MODE D'EMPLOI ET GUIDE DU PROPRIÉTAIRE

N° de modèle

H090

VEUILLEZ LIRE ATTENTIVEMENT CES INSTRUCTIONS : VOTRE SÉCURITÉ EST IMPORTANTE POUR VOUS ET POUR LES AUTRES. Veuillez lire et conserver toutes ces instructions. Placer ces instructions dans un endroit sûr pour référence future. Ne pas permettre à quiconque n'aurait pas lu ces instructions d'assembler, d'allumer, d'ajuster ou de faire fonctionner ce poêle.



AVERTISSEMENT :

N'UTILISEZ QUE LES PIÈCES DE RECHANGE DU FABRICANT. L'UTILISATION DE TOUTE AUTRE PIÈCE POURRAIT CAUSER DES BLESSURES OU LA MORT. LES PIÈCES DE RECHANGE NE SONT OFFERTES QUE PAR L'ENTREMISE DE L'USINE DIRECTEMENT ET DOIVENT ÊTRE INSTALLÉES PAR UN TECHNICIEN QUALIFIÉ.

INFORMATION DE COMMANDE POUR LES PIÈCES :

ACHAT : LES ACCESSOIRES PEUVENT ÊTRE ACHETÉS CHEZ TOUT DÉTAILLANT OU DIRECTEMENT DE L'USINE

INFORMATION AU SUJET DU SERVICE :

Appelez-nous sans frais au 800 251-0001

Nos heures d'ouverture sont de 8 h à 17 h, HNE, du lundi au vendredi.

Dans toutes vos communications, veuillez mentionner votre numéro de modèle, date d'achat et description du problème.

GARANTIE LIMITÉE :

L'entreprise garantit que ce produit sera libre d'imperfections matérielles ou de main-d'œuvre, dans le cadre d'une utilisation normale et appropriée en conformité avec les instructions fournies par l'entreprise, pour une période d'un an suivant la date de livraison à l'acheteur. L'entreprise, à son choix, réparera ou remplacera les produits retournés par l'acheteur à l'usine, frais de transport payés, au cours de cette période d'un an, si l'entreprise constate que le produit présente des imperfections matérielles ou de main-d'œuvre.

Si une pièce est endommagée ou manquante, communiquez avec notre service du soutien technique au 800 251-0001.

Acheminez toute réclamation sous garantie à Service Department, Enerco Group, Inc., 4 560 W. 160 TH ST., CLEVELAND, OHIO 44135. Incluez votre nom, votre adresse et votre numéro de téléphone, et précisez les détails de votre réclamation. Également, fournissez-nous la date d'achat du produit et le nom et l'adresse du détaillant chez qui vous avez acheté le produit.

Ce qui précède constitue l'intégrité de la responsabilité de l'entreprise. Il n'existe aucune autre garantie, expresse ou implicite. Plus précisément, il n'existe aucune garantie d'adaptation à un usage particulier ou de qualité marchande. L'entreprise ne sera en aucun cas responsable des retards causés par les imperfections, des dommages consécutifs ou des frais de tout type encourus sans consentement par écrit. Le coût de la réparation ou d'un remplacement sera l'unique recours pour toute violation de garantie. Il n'existe aucune garantie contre ces violations et aucune garantie implicite découlant du commerce ou de l'usage commercial. La garantie ne s'applique pas aux produits qui ont été réparés ou modifiés à l'extérieur de l'usine, de quelque façon que ce soit, qui, selon notre avis, affecte sa condition ou son fonctionnement.

Certains États/provinces ne permettent pas l'exclusion ou la limitation des dommages accessoires et consécutifs. Ainsi, la limitation ou exclusion ci-dessus pourrait ne pas s'appliquer à vous. Cette garantie vous confère des droits juridiques particuliers et vous pourriez aussi avoir d'autres droits qui peuvent varier d'un État à l'autre.

Enerco Group Inc. 4560 W. 160TH ST., CLEVELAND, OHIO 44135 • 1-800-251-0001
est une marque déposée de Mr. Heater, Inc. © 2023, Enerco Group. Tous droits réservés.

Enerco Group Inc., 4560 W. 160TH ST., CLEVELAND, OHIO 44135 • 1-800-251-0001
© 2025, Enerco Group. Tous droits réservés.



Rapport No. : F22-833