

Radley®

6.5 A Electric Pruning Saw



Item # 5240-060

Owner's Manual

3 Year Limited Warranty on tool



**READ ALL INSTRUCTIONS BEFORE FIRST USE.
KEEP THIS MANUAL FOR FUTURE REFERENCE.
KEEP AWAY FROM CHILDREN.
SEE NEXT PAGE FOR CRITICAL TOOL RELATED
PRECAUTIONS.**



**WEAR CSA APPROVED
EYE PROTECTION**



**WEAR EAR
PROTECTION**



**WEAR A
FACE MASK**

PRODUCT SPECIFICATIONS

6.5 A Electric Pruning Saw

Voltage	120V-60Hz, 6.5A
Chain speed	7.9 m/s
No-load speed	5,000 RPM
Bar length	8" (203 mm)
Cutting capacity	7.2" (183 mm)
Oil tank capacity	50 ml (1.7 oz)
Chain pitch	3/8"
Chain gauge	1.09 mm (0.043")
Chain sharpening file size	5/32"
Drive links	33
A-weighted sound pressure level	L _{PA} : 93dB(A) K _{PA} : 3 dB(A)
A-weighted sound power level	L _{WA} : 101 dB(A) K _{WA} : 3 dB(A)
Vibration	Rear handle: ah=4.7 m/s ² ; Front handle: ah=3.2 m/s ² ; K:1.5 m/s ²
Tool operating weight	6.2 lb (2.8 kg)

REPLACEMENT PARTS AVAILABLE AT HOME HARDWARE

Replacement Chain	8241-090
-------------------	----------

CHAIN OIL NOT INCLUDED

Suggested Spring/Summer oil	8640-627
Suggested Fall/Winter oil	8640-625

CRITICAL TOOL RELATED PRECAUTIONS

Check chain tension and tighten as required BEFORE each use.

READ ALL SAFETY, WARNING, PRECAUTIONS AND MAINTENANCE INFORMATION PROVIDED IN THIS MANUAL.

EXTENSION CORD SAFETY



When using an extension cord with your electric tool refer to the following table to determine the required AWG wire size. Before using your tool make sure the power cord and extension cord are in good working conditions. Make repairs or replacements before using the tool. Only use extension cords that are rated for outdoor use.



WARNING: Consult the extension guide table to ensure the correct extension cord is used with the tool. Use of an extension cord that is insufficiently rated for the tool may result in tool under-performance, overheating, fire, and tool failure.



WARNING: Keep the extension cord clear of the working area. Position the cord so that it will not get caught on the workpiece, tools or any other obstructions while you are working with the power tool.

Make sure any extension cord used with this tool is in good condition. When using an extension cord, be sure to use one of heavy enough gauge to carry the current the tool will draw. An undersized cord will cause a drop in voltage resulting in loss of power and overheating.

The table below shows the correct size to use according to cord length and name plate ampere rating. If in doubt, use the next heavier gauge. The smaller the gauge number, the heavier the cord.

Be sure your extension cord is properly wired and in good condition. Always replace a damaged extension cord or have it repaired by a qualified electrician before using it. Protect your extension cord from sharp objects, excessive heat and damp or wet areas.

Use a separate electrical circuit for your power tools. This circuit must not be less than 14 gauge wire and should be protected with either a 15AMP time delayed fuse or circuit breaker. Before connecting the power tool to the power source, make sure the switch is in the OFF position and the power source is the same as indicated on the nameplate. Running at lower voltage will damage the motor.

120V OUTDOOR GRADE EXTENSION CORD LENGTH & GAUGE GUIDE

Outdoor Rated		Total length			
More than	Not more than	25' /7.5 m	50' /15 m	100' /30 m	150' /45 m
0	6A	18	16	16	14
6A	10A	18	16	14	12
10A	12A	16	16	14	12
13A	16A	14	12	Not Applicable	

NOTE: BOLDED VALUES ARE RECOMMENDATIONS FOR THIS TOOL

To reduce the risk of disconnect of tool from the extension cord during operation. Make a knot as shown in Fig. 1

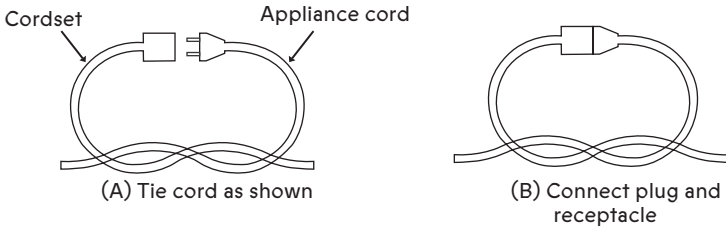


FIG. 1

⚠ WARNING: Use a plug receptacle retaining strap to ensure a proper connection and to ensure there is no strain on the connection. A poor or strained connection can lead to sparking, voltage drop and damage to the tool, overheating, intermittent tool operation, and fire.

Avoid unintentional starting - Turn off the power switch and disconnect the power cord before making any adjustments to the unit and before inspecting, servicing, changing accessories or cleaning.

Handle cord carefully - Never pull electric tool by cord or yank it to disconnect from the power source. Keep cord away from heat, oil, and sharp edges.

Don't force electric tool - it will do the job better and with less likelihood of a risk of injury at the rate for which it was designed.

Don't overreach - Keep proper footing and balance at all times.

Stay Alert - Watch what you are doing. Use common sense. Do not operate tool when you are tired or under the influence of alcohol, drugs, or medications that cause drowsiness.

Disconnect electric tool - Disconnect the electric tool from the power supply when not in use, before servicing, when changing accessories.

Keep guards in place.

Keep hands and feet away from moving parts.

NEED ASSISTANCE?

Call us on our toll-free customer support line:
1-866-349-8665 (Monday through Friday 9am – 5pm Eastern Standard Time)

- Technical questions
- Replacement parts
- Parts missing from package

TABLE OF CONTENTS

Product Specifications.....1
Extension Cord Safety 2-3
Table of Contents 4
General Safety Warnings 5-8
Specific Pruning Saw Safety Rules 9-10
Safety Symbols11
Know Your Pruning Saw 12
Assembly And Operation 13-18
Maintenance 19
Exploded View 20
Parts List 21-23
Warranty 23

GENERAL SAFETY WARNINGS





- WARNING: Not for use on wet materials.**
- Unplug the saw before cleaning or changing accessories.**

WARNING: To avoid serious personal injury, do not attempt to use this product until you have read this instruction manual thoroughly and understand it completely. If you do not understand the warnings and instructions in this manual, do not use this product. Call 1-866-349-8665 for assistance. The operation of any power tool can result in foreign objects being thrown into your eyes, which can result in severe eye damage. Before beginning power tool operation, always wear safety goggles or safety glasses with side shields and when needed, a full-face shield. We recommend a wide vision safety mask for use over eyeglasses or standard safety glasses with eye shields. Always use eye protection which is marked to comply with ANSI Z87.1 or CSA requirements. Prescription glasses ARE NOT a replacement for proper eye protection.

SAFETY SYMBOLS

The purpose of safety symbols is to alert you of the potential safety RISKS. Recognize and understand them. Follow the instructions provided.

SYMBOL	MEANING
	Failure to obey a DANGER safety alert WILL result in serious personal injury or death to you or to others. Always obey all messages following this symbol to reduce the risk of serious personal injury or death.
	Failure to obey a WARNING safety alert MAY result in serious personal injury or death to you or to others. Always obey all messages following this symbol to reduce the risk of potential serious personal injury or death.
	Failure to obey a CAUTION safety alert MAY result in personal injury or property damage to you or to others. Always obey all messages following this symbol to reduce the risk of personal injury or property damage.
	Failure to obey a NOTICE or a CAUTION (without a safety alert) MAY result in property damage to you or to others. Always obey all messages following this symbol to reduce the risk of property damage.
 	<p>ALWAYS WEAR EYE PROTECTION THAT CONFORMS WITH CSA Z94.3 OR ANSI SAFETY STANDARD Z87.1</p> <p>FLYING DEBRIS can cause permanent eye damage. Prescription eyeglasses ARE NOT a replacement for proper eye protection. The usage of a safety standard compliant face shield placed over proper safety glasses or goggles can reduce the risk of facial injury.</p> <p>NON-COMPLIANT EYEWEAR CAN CAUSE SERIOUS INJURY IF BROKEN DURING THE OPERATION OF A POWER TOOL.</p>

SYMBOL	MEANING
<p>⚠ WARNING</p> 	<p>USE HEARING PROTECTION, PARTICULARLY DURING EXTENDED PERIODS OF OPERATION OF THE TOOL, OR IF THE OPERATION IS NOISY.</p>
<p>⚠ WARNING</p> 	<p>WEAR A DUST MASK THAT IS DESIGNED TO BE USED WHEN OPERATING A POWER TOOL IN A DUSTY ENVIRONMENT.</p>
<p>⚠ WARNING</p> 	<p>ALWAYS WEAR NON-SLIP GLOVES THAT FIT PROPERLY TO PROTECT YOUR HANDS AND TO HELP YOU GRIP THE TOOL.</p> <p>ALWAYS WEAR STURDY CLOTHING WITH LONG SLEEVES AND LONG PANTS. NEVER OPERATE THE TOOL WHILE WEARING SHORTS, SHORT SLEEVE SHIRT OR WHILE SHIRTLESS.</p> <p>ALWAYS WEAR NON-SLIP SAFETY BOOTS TO PREVENT FOOT INJURIES AND SLIPPING THAT COULD CAUSE LOSS OF CONTROL OF THE TOOL.</p>
<p>⚠ WARNING</p> 	<p>TO AVOID ELECTRICAL HAZARDS, FIRE HAZARDS OR DAMAGE TO THE TOOL, USE PROPER CIRCUIT PROTECTION.</p> <p>This tool is wired at the factory for 120 V AC operations. It must be connected to a 120 V AC, 15 A circuit that is protected by a time-delayed fuse or circuit breaker. To avoid shock or fire, replace power cord immediately if it is worn, cut or damaged in any way.</p>

ELECTRIC GARDENING TOOL SAFETY

GENERAL SAFETY WARNINGS

⚠ WARNING: Read all safety warnings and all instructions. Failure to follow the warnings and instructions may result in electric shock, fire and/or serious injury.

Save all warnings and instructions for future reference.

The term "power tool" in the warnings refers to your mains-operated (corded) power tool or battery-operated (cordless) power tool.

1) Work area safety

- a) **Keep the work area clean and well lit.** Cluttered and dark areas invite accidents.
- b) **Do not operate electric tools in explosive atmospheres, for example in the presence of flammable liquids, gases or dust.** Electric tools create sparks that can ignite the dust or fumes.
- c) **Keep children and bystanders away while operating the tool.** Distractions can cause you to lose control of the tool.

2) Electrical safety

- a) **Power tool plugs must match the outlet. Never modify the plug in any way.** Do not use any adapter plugs with earthed (grounded) power tools. Unmodified plugs and matching outlets will reduce risk of electric shock.
- b) **Avoid body contact with earthed or grounded surfaces, such as pipes, radiators, ranges and refrigerators.** There is an increased risk of electric shock if your body is earthed or grounded.
- c) **Do not expose power tools to rain or wet conditions.** Water entering a power tool will increase the risk of electric shock.
- d) **Do not abuse the cord. Never use the cord for carrying, pulling or unplugging the power tool.** Keep cord away from heat, oil, sharp edges or moving parts. Damaged or entangled cords increase the risk of electric shock.
- e) **When operating a power tool outdoors, use an extension cord suitable for outdoor use.** Use of a cord suitable for outdoor use reduces the risk of electric shock.
- f) **If operating a power tool in a damp location is unavoidable, use a ground fault circuit interrupter (GFCI) protected supply.** Use of a GFCI reduces the risk of electric shock.

3) Personal safety

- a) **Stay alert, watch what you are doing and use common sense when operating a power tool.** Do not use a power tool while you are tired or under the influence of drugs, alcohol or medication. A moment of inattention while operating power tools may result in serious personal injury.
- b) **Use personal protective equipment. Always wear eye protection.** Protective equipment such as a dust mask, non-skid safety shoes, hard hat or hearing protection used for appropriate conditions will reduce personal injuries.
- c) **Prevent unintentional starting. Ensure the switch is in the off-position before connecting to power source and/or battery pack, picking up or carrying the tool.** Carrying power tools with your finger on the switch or energising power tools that have the switch on invites accidents.
- d) **Remove any adjusting key or wrench before turning the power tool on.** A wrench or a key left attached to a rotating part of the power tool may result in personal injury.
- e) **Do not overreach. Keep proper footing and balance at all times.** This enables better control of the power tool in unexpected situations.

4) Power tool use and care

- a) **Do not force the power tool. Use the correct power tool for your application.** The correct power tool will do the job better and safer at the rate for which it was designed.
- b) **Do not use the power tool if the switch does not turn it on and off.** Any power tool that cannot be controlled with the switch is dangerous and must be repaired.
- c) **Disconnect the plug from the power source and/or remove the battery pack, if detachable, from the power tool before making any adjustments, changing accessories, or storing power tools.** Such preventive safety measures reduce the risk of starting the power tool accidentally.
- d) **Store idle power tools out of the reach of children and do not allow persons unfamiliar with the power tool or these instructions to operate the power tool.** Power tools are dangerous in the hands of untrained users.
- e) **Maintain power tools and accessories. Check for misalignment or binding of moving parts, breakage of parts and any other condition that may affect the power tool's operation. If damaged, have the power tool repaired before use.** Many accidents are caused by poorly maintained power tools.
- f) **Keep cutting tools sharp and clean.** Properly maintained cutting tools with sharp cutting edges are less likely to bind and are easier to control.
- g) **Use the power tool, accessories and tool bits etc. in accordance with these instructions, taking into account the working conditions and the work to be performed.** Use of the power tool for operations different from those intended could result in a hazardous situation.
- h) **Keep handles and grasping surfaces dry, clean and free from oil and grease.** Slippery handles and grasping surfaces do not allow for safe handling and control of the tool in unexpected situations.
- i) **Hold power tools by the insulated gripping surfaces when performing an operation where the cutting tool may contact hidden wiring or its own cord.** Contact with a "live" wire will make exposed metal parts of the tool "live" and shock the operator.

SERVICE

Have your power tool or charger serviced by a qualified repair person using only identical replacement parts. This will ensure that the safety of the power tool or charger is maintained.

SPECIFIC SAFETY RULES FOR PRUNING SAWS

- Keep all parts of the body away from the saw chain when the chainsaw is operating.
- Before you start the chainsaw, make sure the saw chain is not contacting anything. A moment of inattention while operating chainsaws may cause an entanglement of your clothing or body with the saw chain.
- Hold the chainsaw by insulated gripping surfaces only because the saw chain may contact hidden wiring or its own cord. Saw chains contacting a live wire may make exposed metal parts of the chainsaw live and could give the operator a shock.
- Wear safety glasses and hearing protection. Further protective equipment for head, hands, legs, and feet must be worn. Adequate protective clothing will reduce personal injury by flying debris or accidental contact with the saw chain.
- Do not operate a chainsaw in a tree. Operation of a chainsaw while up a tree may result in personal injury.
- Always keep proper footing and operate the chainsaw only, when standing on fixed, secure and level surface. Slippery or unstable surfaces such as ladders, may cause a loss of balance or control of the chainsaw.
- Carry the chainsaw by the front handle with the chainsaw switched off and away from your body.
- When cutting a limb that is under tension, be alert for spring-back. When the tension in the wood fibers is released the limb under tension may strike the operator and/or throw the chainsaw out of control.
- Use extreme caution when cutting brush and saplings. The slender material may catch the chainsaw and be whipped toward you or pull you off balance.
- When transporting or storing the chainsaw always fit the guide bar safety cover.
- Proper handling of the chainsaw will reduce the likelihood of accidental contact with the moving saw chain.
- Always use two hands when operating the chainsaw.
- Contact of the guide bar tip with any object should be avoided. Tip contact may cause the guide bar to move suddenly upward and backward, which may cause serious injury.
- Follow instructions for lubricating, chain tensioning and changing accessories. Improperly tensioned or lubricated chain may either break or increase chance for kickback.
- Keep handles dry, clean, and free from oil and grease. Greasy, oily handles are slippery causing loss of control.
- Cut wood only. Do not use chainsaw for purposes not intended. For example, do not use chainsaw for cutting plastic, masonry, or non-wood building materials. Use of the chainsaw for operations different than intended could result in a hazardous situation.
- Wear safety glasses and hearing protection. Further protective equipment for head, hands, legs, and feet is recommended. Adequate protective clothing will reduce personal injury by flying debris or accidental contact with the saw chain.
- Do not start the pruning saw with the guide bar safety cover installed on it. Starting the pruning saw with the guide bar safety cover installed on it may cause the chain cover to be thrown off forward resulting in personal injury and damage to objects around the operator.

Before starting work, check that the pruning saw is in proper working order and that its condition complies with the safety regulations. Check that:

- The bar and the sprocket cover are fitted correctly.
- The chain is sharp and tensioned in accordance with the instructions provided.

CAUSES AND OPERATOR PREVENTION OF KICKBACK

⚠ WARNING: Kickback may occur when the moving chain contacts with an object at the upper portion of the tip of the guide bar or when the wood closes in and pinches the saw chain in the cut. Contact at the upper portion of the tip of the guide bar can cause the chain to dig into the object and stop the chain for an instant. The result is a lightning fast reverse reaction which kicks the guide bar up and back toward the operator. If the saw chain is pinched along the top of the guide bar, the guide bar can be driven rapidly back toward the operator. Either of these reactions can cause loss of saw control which can result in serious injury. Do not rely exclusively upon the safety devices built into the saw. As a chainsaw user, you should take several steps to keep your cutting jobs free from accident or injury.

- Always hold the chainsaw firmly with both hands. Wrap your fingers and thumb around the main handle, keeping a solid grip. Make sure your body and arm are positioned to help you resist any kickback.
- Kickback can be controlled by the operator if proper precautions are taken—never let go of the chainsaw while it's running.
- Do not overreach and do not cut above shoulder height. This helps prevent unintended tip contact and enables better control of the chainsaw in unexpected situations.
- Only use replacement bars and chains specified by the manufacturer. Incorrect replacement bars and chains may cause breakage and/or kickback.
- Follow any sharpening and maintenance instructions for the saw chain. Decreasing depth gauge height can lead to increased kickback.
- With a basic understanding of kickback, you can reduce or eliminate the element of surprise. Sudden surprise contributes to accidents.

VIBRATION AND NOISE REDUCTION

To reduce the influence of vibration and noise, limit working hours and wear personal protective equipment. Observe the following points to minimize vibration and noise exposure:

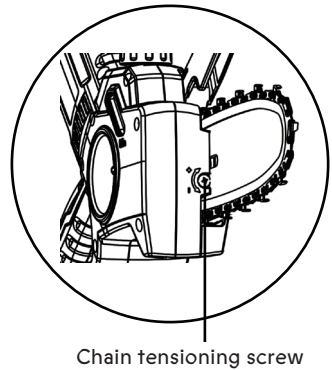
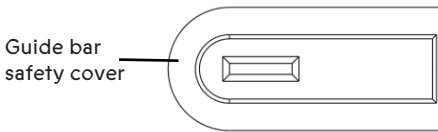
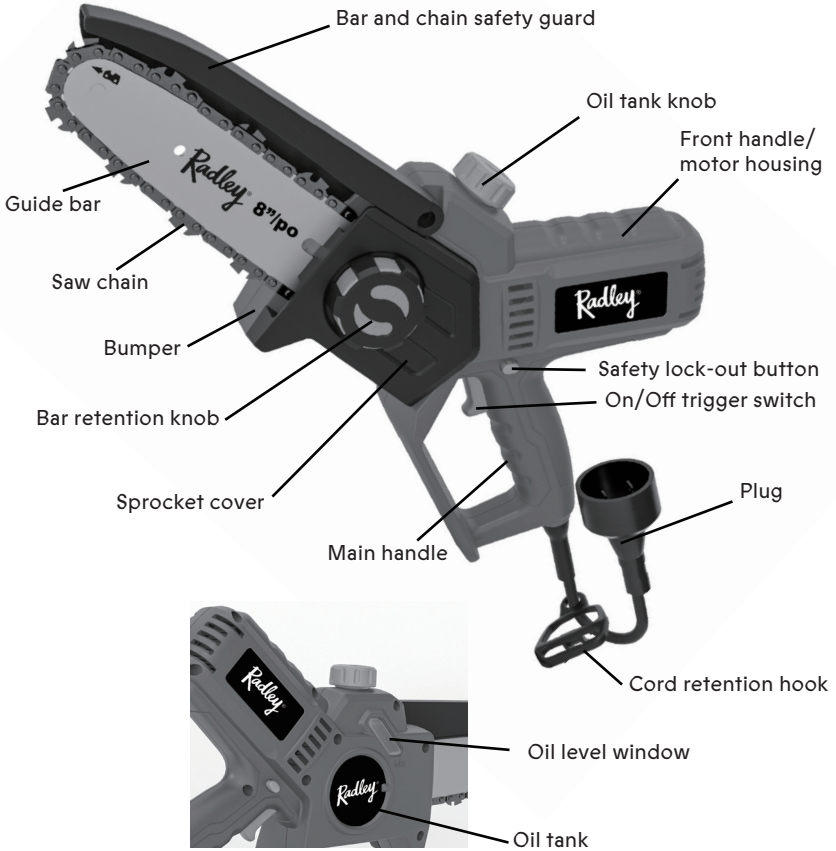
1. Use the tool only in accordance with its design and instructions.
2. Ensure that the product is in good condition and well maintained
3. Use the correct accessories and ensure that they are in good condition.
4. Hold the tool firmly but not tightly by the handles provided.
5. Maintain the product according to these instructions and keep it lubricated.

SAFETY SYMBOLS

⚠ WARNING: Some of the following symbols may appear on the pruning saw. Study these symbols and learn their meaning. Proper interpretation of these symbols will allow for more efficient and safer operation of this tool.

V	Volts		Direct current
A	Amperes	n_0	No load speed
Hz	Hertz		Alternating or direct current
W	Watts		Class II construction
kW	Kilowatts		Splashproof construction
μF	Microfarads		Watertight construction
L	Liters		Protective grounding at grounding terminal, Class I tools
kg	Kilograms	.../min	Revolutions or reciprocations per minute
H	Hours	\emptyset	Diameter
N/cm^2	Newtons per square centimeter	0	Off position
Pa	Pascals		Directional arrow
OPM	Oscillations per minute		Warning symbol
Min	Minutes		Beware of chain saw kickback and avoid contact with bar tip.
S	Seconds		Do not expose to rain.
or a.c.	Alternating current		Wear safety boots to protect against electric shock.
3	Three-phase alternating current		Wear gloves to protect your hands.
3N	Three-phase alternating current with neutral		ATTENTION! Do not throw the battery into the household waste.
	Read the user manual before using the machine		The charger is suitable for indoor use only.
	Wear eye protection, safety helmet, ear protection!		
	Wear ear protection.		
	Always use chain saw two handed.		
	Remove plug from the mains immediately if cable is damaged or cut.		

KNOW YOUR ELECTRIC PRUNING SAW



ASSEMBLY AND OPERATION

OPERATING THE ON/OFF TRIGGER AND SAFETY LOCK-OUT BUTTON

The pruning saw is equipped with both a safety lock-out button and an On/Off trigger switch. To turn the saw on:

1. Press the safety lock-out button (1) (Fig.1.A).
2. While continuing to press the lock-out button, squeeze the trigger switch (2).
3. When the saw starts, release the lock-out button while continuing to squeeze the trigger. The saw will continue to run. To turn the saw OFF, release the trigger switch.

NOTE: To restart the saw, press the lock-out button and squeeze the trigger switch.

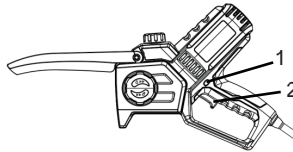


Fig.1A

MOUNTING THE GUIDE BAR AND CHAIN

⚠ WARNING: If any parts are damaged or missing do not operate the machine until the parts are replaced. Failure to heed this warning could result in serious personal injury.

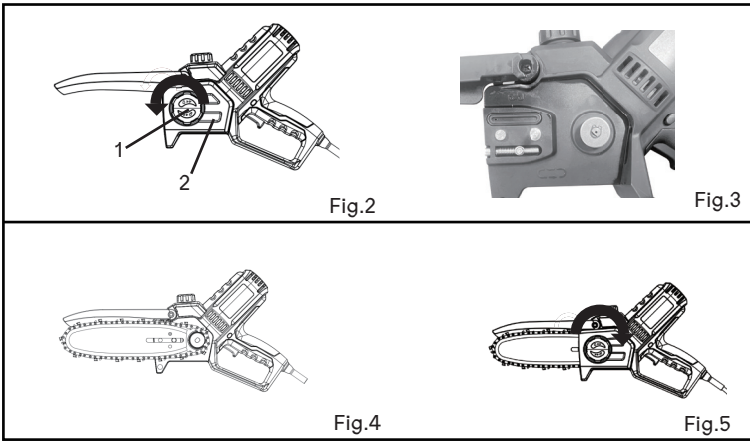
⚠ WARNING: Cutting edges on chain are sharp. Always use protective gloves when handling the chain.

⚠ WARNING: The saw chain and the guide bar are still hot just after operating. Let them cool down enough before carrying out any work on the tool.

⚠ WARNING: Carry out the procedure of installing or removing saw chain in a clean place free from sawdust and the like.

To install/remove the saw chain and bar, perform the following steps:

1. Ensure saw is NOT connected to a power source.
2. Rotate and loosen the bar retention knob (1) on the sprocket cover (2). Remove sprocket cover (Fig.2).
3. Insert the saw chain (3) "teeth" in the groove around the guide bar (4). Ensure the chain is in the correct running direction by comparing it to the chain direction symbol (5) found on the saw body (Fig. 3).
4. Place the saw chain around the sprocket and ensure the guide bar is attached to the saw body so that the hole on the guide bar is aligned with the pin on the chain saw body (Fig.4).
5. Replace the sprocket cover, ensuring the bolt protruding from the saw body enters the threaded hole on the underside of the sprocket cover and the pin on the underside of the sprocket cover aligns with the hole on the saw body.
6. Tighten the knob to secure the sprocket cover, and then loosen it slightly for tension adjustment. **Do not fully tighten the bar retaining knob until the chain tension has been adjusted.**



ADJUSTING SAW CHAIN TENSION

⚠ WARNING: The saw chain is not yet tensioned.

NOTE: New saw chains will stretch. Check the chain tension frequently when first used and tighten when the chain becomes loose around the guide bar.

⚠ WARNING: Maintain proper chain tension always. A loose chain will increase the risk of kickback. A loose chain may jump out of guide bar groove. This may injure the operator and damage the chain. A loose chain will cause chain, bar, and sprocket to wear rapidly. Do not tighten the saw chain too much. Excessively high tension of saw chain may cause breakage of saw chain and wear of the guide bar.

For safety and to reduce wear, chain tension needs to be verified and adjusted regularly or after 10 minutes of continued use, to compensate for changes in wear and temperature.

1. Place the pruning saw on any suitable flat surface.
2. Loosen the bar retaining knob a bit to loosen the sprocket cover slightly.
3. Lift-up the guide bar tip slightly and adjust the chain tensioning screw (Fig.6). Use a slotted screwdriver (not included) to turn the chain tensioning screw clockwise to tighten and counterclockwise to loosen.

To determine if the saw chain has been properly tensioned follow the following steps:

- a) Lift the chain slightly in the middle of the bar. It should lift about 3 to 6 mm (1/8 to 1/4 inch) from the bar.
 - b) Check for slack: The chain should not be too loose or too tight. If it hangs loosely and can be pulled away from the bar easily, it's too loose. If it cannot be pulled at all, it's too tight.
 - c) Check the movement: The chain should move freely around the bar by hand with some resistance, but not be too difficult to turn.
4. Once the saw chain has been properly tensioned, turn the bar retention knob to tighten the sprocket cover. Tighten it enough to securely fasten the cover to the saw, ensuring it doesn't move, but not so tight that it restricts the movement of the guide bar and saw chain (Fig.7).

NOTE: The chain should rotate freely and be free of kinks.

⚠ WARNING! Do not over tension the chain as this will lead to excessive wear and will reduce the life of bar and chain. Over tensioning also reduce the amount of cuts you should get.

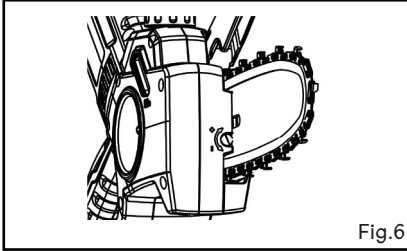


Fig.6

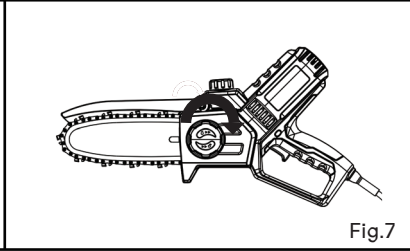


Fig.7

SAW CHAIN LUBRICATION AND FILLING THE OIL TANK

Note: The pruning saw is shipped without oil in it, the pruning saw must never be used without oil or with an oil level that is below the indicator. Chainsaw oil is red in colour to enhance visibility through the oil level window.

⚠ WARNING: Always ensure that the pruning saw is switched off and the plug is removed from the power source before making any adjustments.

NOTE: Observe temperature conditions: Different ambient temperatures require lubricants with a very different viscosity. At low temperatures you need thin oils (low viscosity) to produce sufficient lubricating film. If the same oil is used in the summer, it would be liquefied further by the higher temperatures alone. This can cause the lubricating film to break off, overheating the chain and damaging it.

1. Remove oil cap. (Fig.8)
2. Fill oil tank with chain lubricating oil.
3. Check the oil level periodically , through the oil level window.
4. Tighten oil cap (1) (Fig.9), firmly for good seal, this will stop oil seepage from tank.
5. Wipe off excess oil.

Note: It is normal for oil to seep when saw is not in use. Empty oil tank after each use to prevent seepage.

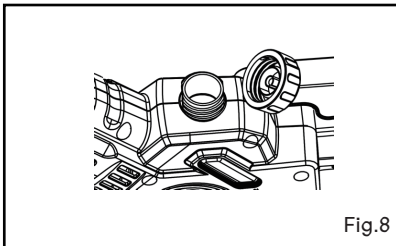


Fig.8

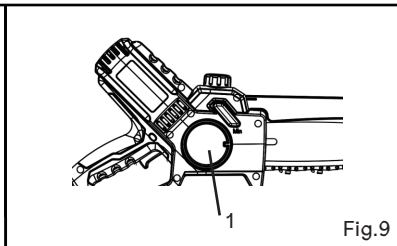


Fig.9

AUTOMATIC OILING FUNCTION

This saw is equipped with an auto-oiling function which automatically lubricates the chain and bar while the saw is running, ensuring smooth operation and reducing friction.

To periodically check if it's functioning properly:

1. Visual inspection: Look for oil on the chain after using the saw. If the chain looks dry, the oil may not be dispensing correctly.
2. Check the oil level window: Ensure the oil level is sufficient. Low oil levels may indicate a problem with the system.
3. Run the chainsaw: While the saw is running, hold a piece of paper or cardboard near the chain. You should see a small trail of oil on it, indicating proper oil flow.
4. Inspect the oil delivery port: Make sure the oil delivery port on the bar is not clogged, as this can prevent oil from reaching the chain.

If issues arise, have the saw repaired.

WORKING WITH THE PRUNING SAW

For safety reasons, the pruning saw must always be adequately controlled through use, with both hands. The pruning saw is designed for cutting branches, trunks, and beams of a diameter determined by the cutting length of the guide bar. It is only designed to cut wood. It is only to be used by adults who have received adequate training on the hazards and preventative measures/actions to be taken while using the pruning saw.

Do not use the pruning saw for any purpose not listed in the specified conditions of use. It is not to be used for professional tree services. The pruning saw is not to be used by children or by persons not wearing adequate personal protective equipment and clothing.

⚠️ WARNING: Never work without chain lubricant. If the saw chain is running without lubricant, the guide bar and the saw chain can be damaged. Improper and delayed lubrication leads to overheating of the chain and guide bar, which may damage the device. Please lubricate the saw chains properly and regularly.

⚠️ WARNING: The first time user should, as a minimum practice, do cutting logs on a sawhorse or cradle.

⚠️ WARNING: Ensure the guide bar safety cover has been removed before starting saw.

⚠️ WARNING: Secure round pieces against rotation.

⚠️ WARNING: Keep all parts of the body away from the saw chain when the motor is operating.

⚠️ WARNING: Hold the pruning saw firmly when the motor is running.

⚠️ WARNING: Do not overreach. Always keep proper footing and balance.

⚠️ DANGER: This power tool generates an electromagnetic field during operation. Under certain circumstances, this field may affect active or passive medical implants. To reduce the risk of serious or fatal injury, we recommend that individuals with medical implants consult their physician and the manufacturer of the medical device.

NOTE: Never toss or drop the tool.

NOTE: Do not cover the vents of the tool.

HOLDING AND GUIDING THE PRUNING SAW

Hold the pruning saw with one hand around the main handle, making sure your fingers and thumb wrap around it. Grasp the front handle with the other hand, ensuring the saw is securely held with both hands.

EXTENSION CORD SUPPORT

During use of the pruning saw. The extension cord will continually be pulled as you move from one area to another.

A cord retention hook has been provided on the housing of the pruning saw to assist in preventing the electrical connection between the extension cord and pruning saw plug being forced apart.

Note: The support is for the extension cord, and not the cable from the pruning saw.

1. To fit the extension cord to the support. Make a tight loop in the extension cord, approximately 300 mm from the socket on the extension cord.
2. Fit the loop into the rectangle recess in the back portion of the pruning saw.
3. Push the loop all the way through the housing by approximately 25 mm.
4. Push each side of the loop downwards so each side of the loop fits over the cord retention hook.
5. To seat the cable firmly. Gently pull one of the two lengths of extension cable on the right hand side of the pruning saw.
6. After the cable is correctly seated, plug the pruning saw plug into the socket of the extension cable.

PRUNING TREES

Before switching on the pruning saw, position the front of the saw body (not the chain) gently against the branch to help stabilize the tool. Ensure the chain is not in contact with the wood before starting. Once the saw is on and the chain is moving, slowly guide it into the branch to begin cutting. Otherwise, it may cause the guide bar to wobble, resulting in injury to operator. Saw the wood to be cut by just moving it down by using the weight of the pruning saw. If you cannot cut the timber right through with a single stroke: Apply light pressure to the handle and continue sawing and draw the pruning saw back a little.

When cutting thick branches, first make a shallow undercut and then make the finish cut from the top.

If you try to cut off thick branches from the bottom, the branch may close in and pinch the saw chain in the cut. If you try to cut off thick branches from the top without a shallow undercut, the branch may splinter.

BUCKING

1. Rest the chainsaw body on the wood to be cut.
2. With the chain running, begin cutting into the wood. Apply gentle downward pressure on the top of the saw to help guide the cut, but avoid forcing it. Continue cutting, letting the saw move freely and ease off any extra pressure to prevent the saw from binding or stalling.

NOTE: When making several cuts, switch the chain saw off between cuts.

⚠ WARNING: If the upper edge of the bar is used for cutting, the pruning saw may be deflected in your direction if the chain becomes trapped. For this reason, cut with the lower edge, so that the saw will be deflected away from your body

⚠ WARNING! When using the pruning saw, the safety rules must be followed. For your own safety and that of bystanders, you must read and fully understand these instructions before operating the pruning saw. You should attend a professionally organized safety course in the use, preventative actions, first aid and maintenance of pruning saw. Please keep these instructions safe for later use.

⚠ WARNING! Pruning saw are potentially dangerous tools. Accidents involving the use of pruning saw often result in loss of limbs or death. It is not just the pruning saw that is the hazard. Falling branches and rolling logs can all kill. Diseased or rotting timber poses additional hazards. You should assess your capability of completing the task safely. If there is any doubt, leave it to a professional tree surgeon.

CLEANING AND MAINTENANCE

CLEANING SAW BODY

⚠ WARNING! Unplug chainsaw from power source before servicing, severe injury or death could occur from electrical shock or body contact with moving chain.

Warning: Cutting edges on chain are sharp, use protective gloves when handling chain.

- Do not submerge saw in any liquids.

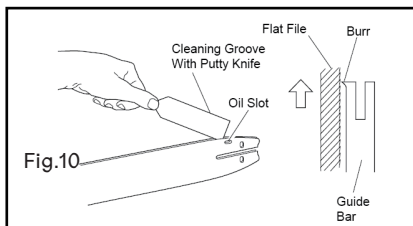
- Do not use products that contain ammonia, chlorine, or abrasives.

- Do not use chlorinated cleaning solvents, carbon tetrachloride, kerosene, or gasoline.

Keep saw body clean, use a soft cloth dampened with a mild soap and water mixture, wipe saw body to clean.


GUIDE BAR MAINTENANCE

1. Remove guide bar from chainsaw.
2. Remove sawdust from guide bar groove periodically. Use putty knife or wire.
3. Clean oil slots after each day of use.
4. Remove burrs from sides of guide bar. Use flat file to make side edges square.
5. Replace guide bar when
 - (1) Bar is bent or cracked.
 - (2) Inside groove of bar is badly worn (Fig.10).





MAINTENANCE


GENERAL

 **WARNING:** When servicing this tool, use only identical replacement parts. The use of any other part may create a hazard or cause product damage.

DO NOT use solvents when cleaning plastic parts. Plastics are susceptible to damage from various types of commercial solvents and may be damaged by their use. Use a clean cloth to remove dirt, dust, oil, grease etc.

 **WARNING:** Do not allow brake fluids, gasoline, petroleum-based fluids, gasoline, petroleum-based products, penetrating oils, etc. to come into contact with plastic parts. They contain chemicals that can damage, weaken or destroy plastic.

 **DO NOT** abuse power tools. Abusive practices can damage the tool and the workplace.


 **WARNING:** DO NOT attempt to modify tools or create accessories. Any such alteration or modification is misuse and could result in hazardous condition leading to possible serious injury. It will also void the warranty.

LUBRICATION

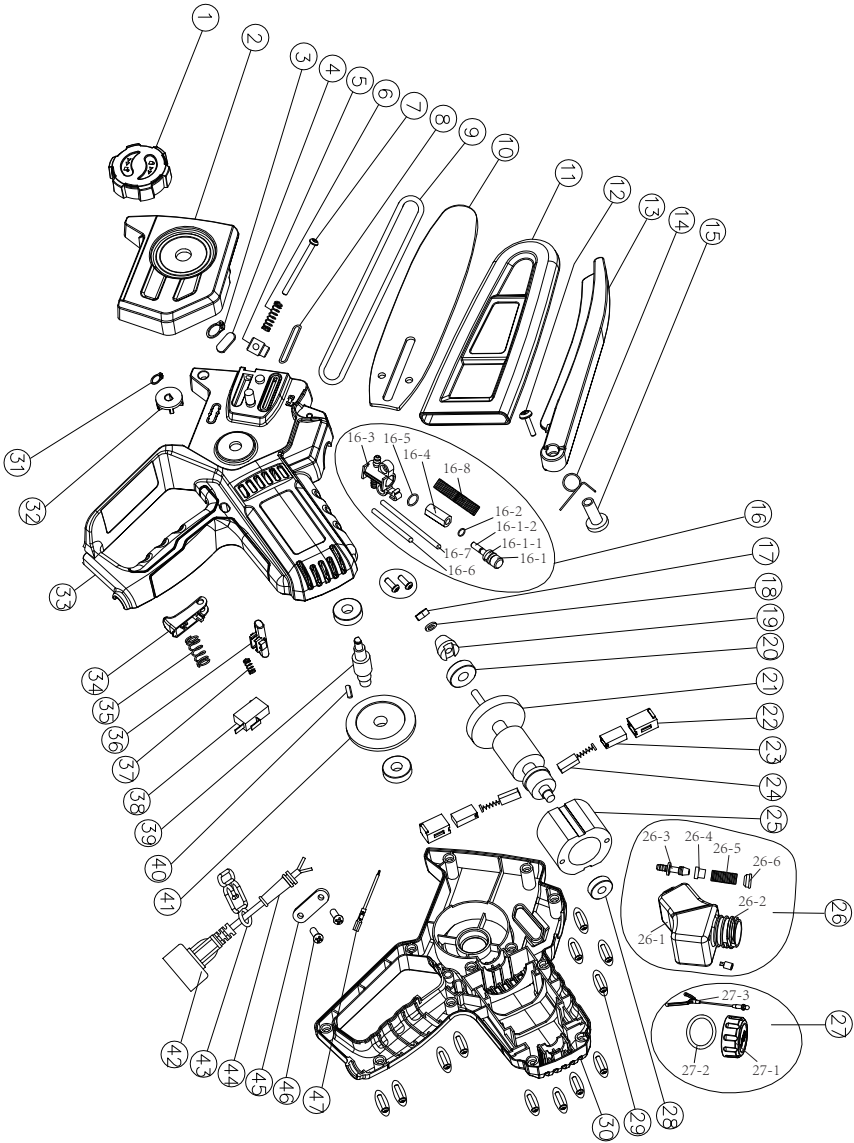
All the bearings in this tool are lubricated with sufficient amount of high-grade lubricant for the life of the unit under normal conditions. Therefore, no further lubrication is required.

Cleaning and storage

- a) Keep the handles oil-free to ensure a secure grip.
- b) If necessary, clean the appliance with a damp cloth and, if necessary, with a mild detergent.

 Before each cleaning, switch off the device. Never immerse the device in water or other liquids for cleaning. Keep the chainsaw in a safe and dry place and out of the reach of children.

EXPLODED VIEW



PARTS LIST



WARNING: When servicing, use only original equipment replacement parts.

The use of any other parts may create a safety hazard or cause damage to the saw

Any attempt to repair or replace electrical parts on this pruning saw may on this pruning saw may create a safety hazard unless repairs are performed by a qualified technician.

For more information, call the Toll-free Helpline, at 1-866-349-8665;

Monday - Friday: 9am to 5pm Eastern Standard Time.

Always order by PART number, not key number.

Key #	Part #	Part Name	Quantity
1	3194100101058001	knob	1
1-1	3221930101075001	Insert nut	1
2	3194100101069001	Chain plate gland	1
3	33CC0140101	Jump ring	1
4	3190000701069001	Rubber cover	1
5	3290000101138001	Adjust pin	1
6	3298000101060001	Spring	1
7	3398000101074001	Adjustable bolt	1
8	3190000401025001	Rubber ring	1
9	3200150501006001	Chain 8#	1
10	3200150501007001	Guide plate 8#	1
11	3140100201023001	Chain plate sheath	1
12	33SPAQA005250101	Screw	1
13	3194100101053001	Preventer plate	1
14	3221930101060001	Torsional spring	1
15	3221930101023001	Bush	1
16	232941001001	Oil pump components	1
16-1	3194000201146001	Oil pump core	1
16-1-1	3290000301052001	Oil pump gear	1
16-1-2	3294000501138001	Oil pump pin	1
16-2	36130102	O-ring	1
16-3	3114100101146001	Oil pump shell	1
16-4	3290000301023001	Oil pump set	1
16-5	3190000101028001	Rubber gasket	1
16-6	3194100101038001	Oil delivery pipe	1
16-7	3194100201038001	Oil delivery pipe	1
16-8	3221900201060001	Spring	1

Key #	Part #	Part Name	Quantity
17	33NAD0060101	Nut	1
18	33WSB0060101	Spring washer	1
19	3294100101052001	Pinion	1
20	33DB600002011	Bearing	3
21	3494100201013001	Rotor	1
22	3194100101039001	Brush holder	2
23	3294100101023001	Carbon brush cover	2
24	3294100101035001	Carbon brush	2
25	3494100201005001	Stator	1
26	231941001001	Oil can component	1
26-1	3194100101147001	Oil can	1
26-2	3122920101148001	Oil can rubber	1
26-3	3190000101148001	Oil spout	1
26-4	3190000101025001	Seal ring	1
26-5	3290000501060001	Spring	1
26-6	3190000101081001	Mesh plug	1
27	241229201001	Oil can cover assembly	1
27-1	3122920201069001	Oil can	1
27-2	3194000101028001	Sealing gasket	1
27-3	3122920101161001	Oil can lid chain	1
28	33DB608002011	Bearing	1
29	33SBAQA004160101	Screw	12
30	3194100101002001	Right housing	1
31	33CC0070101	Jump ring	1
32	3294100101155001	Sprocket	1
33	3194100101001001	Left casing	1
34	3194100101157001	Trigger switch	1
35	3221930301060001	Spring	1
36	3194100201058001	Side button	1
37	3222510101060001	Spring	1
38	3422710101032001	Microswitch	1
39	3294100101020001	Output shaft	1
40	3322910201077001	Flat key	1
41	3294100201052001	big gear	1
42	3494100201029001	Power cord	1

Key #	Part #	Part Name	Quantity
43	3189000101103001	Hang buckle	1
44	3171010201023001	Cable sheath	1
45	3171010201053001	Cable clamp	1
46	33SBAQA004120101	Screw	4
47	3494100101027001	Internal wiring 1	1

WARRANTY

6.5A ELECTRIC PRUNING SAW

If this Radley tool fails due to a defect in material or workmanship within three years from the date of purchase, return it to any Home Hardware store with the original bill of sale for exchange. This warranty does not include expendable parts including but not limited to blades, brushes, belts and light bulbs.

This warranty covers defects in material or workmanship only. It does not cover normal wear and tear, failure due to abuse/misuse, or defects caused by careless or accidental mishandling. If this Radley product is used for commercial or rental purposes, this warranty does not apply.

6.5 A Electric Pruning Saw

Owner's Manual



Radley[®]

RADLEY TOOLS
ST. JACOBS, ONTARIO N0B 2N0
© 2025 Home Hardware Stores Limited
1-866-349-8665
Customer Service/Tech Support

5240-060

Made in China

**3 Year
warranty**

This Radley[®] product carries a three (3) year LIMITED warranty against defects in workmanship and materials. See Owner's Manual for full details.



**READ ALL INSTRUCTIONS BEFORE FIRST USE.
KEEP THIS MANUAL FOR FUTURE REFERENCE.
KEEP AWAY FROM CHILDREN.**



**WEAR CSA APPROVED
EYE PROTECTION**



**WEAR EAR
PROTECTION**



**WEAR FACE
PROTECTION**