

# Radley®

12 Amp  
Front Tine

# Rototiller

Owner's Manual  
3 Year limited  
warranty



TLEG09A



**READ ALL INSTRUCTIONS BEFORE FIRST USE.  
KEEP THIS MANUAL FOR FUTURE REFERENCE.  
KEEP AWAY FROM CHILDREN.**

## PRODUCT SPECIFICATIONS

GARDEN TILLER	
Voltage	120V ~, 60Hz
Ampere	12AMP
no load speed	390RPM
Tilling width	17" / 43 cm
Tilling Depth	8-1/2" /21.5cm
Weight	20 lbs /11.8 kg

### Need Assistance?

Call us on our toll free customer support line:

1-866-349-8665 (Monday through Friday 9am – 5pm Eastern Standard Time)

- Technical questions
- Replacement parts
- Parts missing from package

## TABLE OF CONTENTS

Product specifications .....	1
Table of contents .....	2
General safety warnings .....	3-6
Specific garden tiller safety .....	7-8
Extension cord safety .....	9-10
Recycling and disposal .....	10
Safety symbols .....	11-12
Know your garden tiller .....	13
Assembly .....	14-16
Operation .....	17-18
General operation .....	18-20
Maintenance .....	21-23
Troubleshooting .....	24
Exploded view .....	25
Parts list .....	26-28
Warranty .....	29

### GENERAL SAFETY WARNINGS

**WARNING!** Before using this tool or any of its accessories, read this manual and follow all Safety Rules and Operating Instructions. The important precautions, safeguards and instructions appearing in this manual are not meant to cover all possible situations. It must be understood that common sense and caution are factors which cannot be built into the product.

**The instruction manual includes the following:**

- General Safety Warnings
- Specific Safety Rules and Symbol
- Functional Description
- Assembly
- Operation
- Maintenance
- Accessories

### EYE, EAR & LUNG PROTECTION



**WEAR CSA APPROVED  
EYE PROTECTION**



**WEAR EAR  
PROTECTION**



**WEAR A  
FACE MASK**

**ALWAYS WEAR EYE PROTECTION THAT CONFORMS WITH CSA REQUIREMENTS or ANSI SAFETY STANDARD Z87.1**

FLYING DEBRIS can cause permanent eye damage. Prescription eyeglasses ARE NOT a replacement for proper eye protection.

**⚠ WARNING!** Non-compliant eyewear can cause serious injury if broken during the operation of a garden tool.

**ALWAYS WEAR EAR PROTECTION**

**⚠ WARNING!** Use hearing protection, particularly during extended periods of operation of the tool, or if the operation is noisy.

**WEAR A DUST MASK THAT IS DESIGNED TO BE USED WHEN OPERATING A GARDEN TOOL IN A DUSTY ENVIRONMENT.**

**⚠ WARNING!** Dust that is created by power sanding, sawing, grinding, drilling, and other construction activities may contain chemicals that are known to cause cancer, birth defects, or other genetic abnormalities. These chemicals include: Lead from lead-based paints; Crystalline silica from bricks, cement, and other masonry products; Arsenic and chromium from chemically treated lumber. The level of risk from exposure to these chemicals varies, according to how often this type of work is performed. In order to reduce exposure to these chemicals, work in a well-ventilated area, and use approved safety equipment, such as a dust mask that is specifically designed to filter out microscopic particles.

**SAVE THESE INSTRUCTIONS FOR REFERENCE**



**ELECTRICAL SAFETY**

**WARNING!** To avoid electrical hazards, fire hazards or damage to the tool, use proper circuit protection.

This tool is wired at the factory for 120V AC operation. It must be connected to a 120V AC, 15AMP circuit that is protected by a time-delayed fuse or circuit breaker. To avoid shock or fire, replace power cord immediately if it is worn, cut or damaged in any way.

**POWER TOOL SAFETY**

**WARNING! Read all safety warnings and all instructions.** Failure to follow the warnings and instructions may result in electric shock, fire and/or serious injury.

**Save all warnings and instructions for future reference.**

**WORK AREA SAFETY**

**Keep work area clean and well lit.** Cluttered or dark areas invite accidents.

**Do not operate power tools in explosive atmospheres, such as in the presence of flammable liquids, gases or dust.** Power tools create sparks which may ignite the dust or fumes.

**Keep children and bystanders away while operating a power tool.**

Distractions can cause you to lose control.

**ELECTRICAL SAFETY**

**Power tool plugs must match the outlet. Never modify the plug in any way. Do not use any adapter plugs with earthed (grounded) power tools.**

Unmodified plugs and matching outlets will reduce risk of electric shock.

**Avoid body contact with earthed or grounded surfaces, such as pipes, radiators, ranges and refrigerators.** There is an increased risk of electric shock if your body is earthed or grounded.

**Do not expose power tools to rain or wet conditions.** Water entering a power tool will increase the risk of electric shock.

**Do not abuse the cord. Never use the cord for carrying, pulling or unplugging the power tool. Keep cord away from heat, oil, sharp edges or moving parts.**

Damaged or entangled cords increase the risk of electric shock.

**When operating a power tool outdoors, use an extension cord suitable for outdoor use.** Use of a cord suitable for outdoor use reduces the risk of electric shock.

**READ ALL INSTRUCTIONS BEFORE USING THIS TILLER**

**If operating a power tool in a damp location is unavoidable, use a residual current device (RCD) protected supply.** Use of an RCD reduces the risk of electric shock.

## PERSONAL SAFETY

**Stay alert, watch what you are doing and use common sense when operating a power tool. Do not use a power tool while you are tired or under the influence of drugs, alcohol or medication.** A moment of inattention while operating power tools may result in serious personal injury.

**Use personal protective equipment. Always wear eye protection.** Protective equipment such as dust mask, non-skid safety shoes, hard hat, or hearing protection used for appropriate conditions will reduce personal injuries.

**Prevent unintentional starting. Ensure the switch is in the off-position before connecting to power source and/or battery pack, picking up or carrying the tool.** Carrying power tools with your finger on the switch or energising power tools that have the switch on invites accidents.

**Remove any adjusting key or wrench before turning the power tool on.** A wrench or a key left attached to a rotating part of the power tool may result in personal injury.

**Do not overreach. Keep proper footing and balance at all times.** This enables better control of the power tool in unexpected situations.

**Dress properly. Do not wear loose clothing or jewellery. Keep your hair, clothing and gloves away from moving parts.** Loose clothes, jewellery or long hair can be caught in moving parts.

**If devices are provided for the connection of dust extraction and collection facilities, ensure these are connected and properly used.** Use of dust collection can reduce dust-related hazards.

## POWER TOOL USE AND CARE

**Do not force the power tool. Use the correct power tool for your application.** The correct power tool will do the job better and safer at the rate for which it was designed.

**Do not use the power tool if the switch does not turn it on and off.** Any power tool that cannot be controlled with the switch is dangerous and must be repaired.

**SAVE THESE INSTRUCTIONS FOR REFERENCE**

**Disconnect the plug from the power source and/or the battery pack from the power tool before making any adjustments, changing accessories, or storing power tools.** Such preventive safety measures reduce the risk of starting the power tool accidentally.

**Store idle power tools out of the reach of children and do not allow persons unfamiliar with the power tool or these instructions to operate the power tool.** Power tools are dangerous in the hands of untrained users.

**Maintain power tools. Check for misalignment or binding of moving parts, breakage of parts and any other condition that may affect the power tool's operation. If damaged, have the power tool repaired before use.** Many accidents are caused by poorly maintained power tools.

**Keep cutting tools sharp and clean.** Properly maintained cutting tools with sharp cutting edges are less likely to bind and are easier to control.

**Use the power tool, accessories and tool bits etc. in accordance with these instructions, taking into account the working conditions and the work to be performed.** Use of the power tool for operations different from those intended could result in a hazardous situation.

**Keep handles and grasping surfaces dry, clean and free from oil and grease.** Slippery handles and grasping surfaces do not allow for safe handling and control of the tool in unexpected situations.

#### **SERVICE**

**Have your power tool or charger serviced by a qualified repair person using only identical replacement parts.** This will ensure that the safety of the power tool is maintained.

**READ ALL INSTRUCTIONS BEFORE USING THIS TILLER**

## **SPECIFIC GARDEN TILLER SAFETY**

Read the instructions carefully. Be familiar with the controls and the proper use of the garden tiller.

Never allow children or people unfamiliar with these instructions to use the garden tiller. Local regulations can restrict the age of the operator.

Never work while people, especially children, or pets are nearby.

Keep in mind that the operator or user is responsible for accidents or hazards occurring to other people or their property.

### **PREPARATION**

Always wear substantial footwear and long trousers while working. Do not operate the garden tiller when barefoot or wearing open sandals. Avoid wearing clothing that is loose fitting or that has hanging cords or ties.

Thoroughly inspect the area where the garden tiller is to be used and remove all objects which can be thrown by the garden tiller.

Before using, always visually inspect to see that the tines, tine bolts and tine assembly are not worn or damaged. Replace worn or damaged tines and bolts in sets to preserve balance. Replace damaged or unreadable labels.

**CAUTION!** Do not touch rotating tines.

### **OPERATION**

Operate the garden tiller in daylight or in good artificial light. Always be sure of your footing on slopes.

Walk, never run.

Work across the face of slopes, never up and down.

Exercise extreme caution when changing direction on slopes.

Do not till excessively steep slopes.

Use extreme caution when reversing or pulling the garden tiller towards you.

Start the garden tiller or switch on the product carefully according to instructions and with feet well away from the tines of the garden tiller.

Do not put your hands or feet near or under rotating parts.

Never pick up or carry a garden tiller while the motor is running.

**SAVE THESE INSTRUCTIONS FOR REFERENCE**

Never operate the garden tiller with defective guards, or without safety devices. Stop the machine, and disconnect it from the power supply. Make sure that all moving parts have come to a complete stop:

- Whenever you leave the garden tiller,
- Before clearing blockages or unclogging chute.
- Before checking, cleaning or working on the garden tiller.
- After striking a foreign object, inspect the machine for damage and make repairs before restarting and operating the garden tiller

If the garden tiller starts to vibrate abnormally (check immediately):

- Inspect for damage.
- Replace or repair any damaged parts.
- Check for and tighten any loose parts.

### **MAINTENANCE AND STORAGE**

Keep all nuts, bolts and screws tight to be sure the garden tiller is in safe working condition.

Be careful during adjustment of the garden tiller to prevent entrapment of the fingers between moving blades and fixed parts of the garden tiller.

Allow the garden tiller to cool before storing in any enclosure.

When servicing the tines be aware that, even though the power source is switched off, the tines can still be moved.

Replace worn or damaged parts for safety. Use only genuine replacement parts and accessories.

Wear strong work gloves when removing and reassembling the cutting device.

**READ ALL INSTRUCTIONS BEFORE USING THIS TILLER**

### EXTENSION CORD SAFETY

**⚠ WARNING! Keep the extension cord clear of the working area.** Position the cord so it will not get caught on the workpiece, tools or any other obstructions while you are working with the power tool.

Make sure any extension cord used with this tool is in good condition. When using an extension cord, be sure to use one of heavy enough gauge to carry the current the tool will draw. An undersized cord will cause a drop in line voltage resulting in loss of power and overheating.

The table below shows the correct size to use according to cord length and nameplate ampere rating. If in doubt, use the next heavier gauge. The smaller the gauge number the heavier the cord.

Be sure your extension cord is properly wired and in good condition. Always replace a damaged extension cord or have it repaired by a qualified electrician before using it. Protect your extension cord from sharp objects, excessive heat and damp or wet areas.

Use a separate electrical circuit for your power tools. This circuit must not be less than 14 gauge wire and should be protected with either a 15 AMP time delayed fuse or circuit breaker. Before connecting the power tool to the power source, make sure the switch is in the OFF position and the power source is the same as indicated on the nameplate. Running at lower voltage will damage the motor.

MINIMUM GAUGE (AWG) EXTENSION CORDS (120V USE ONLY)					
Amperage rating		Total length			
More than	Not more than	25' /7.5 m	50' /15 m	100' /30 m	150' /45 m
0	6	18	16	16	14
6	10	18	16	14	12
10	12	16	16	14	12
12	16	14	12	Not Applicable	

To reduce the risk of disconnection of garden tiller from the extension cord during operating:

Make a knot as shown in Fig. 1;

**Use one of the plug-receptacle retaining straps or connectors** described in this guide.

**Avoid unintentional starting** – Don't carry plugged-in tiller with finger on On/Off switch. Be sure switch is off when plugging in.

**Handle cord carefully** – Never carry tiller by cord or yank it to disconnect from power source. Keep cord away from heat, oil, and sharp edges.

**Don't Force Tiller**– It will do the job better and with less likelihood of a risk of injury at the rate for which it was designed.

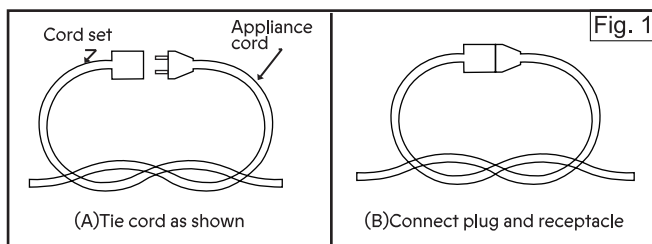
**Don't Overreach** – Keep proper footing and balance at all times.

**Stay Alert** – Watch what you are doing. Use common sense. Do not operate tool when you are tired or under the influence of alcohol, drugs or medications that cause drowsiness.

**Disconnect Tiller** – Disconnect the tiller from the power supply when not in use, before servicing, when changing accessories.


**Keep guards in place and in working order.**

**Keep hands and feet away from rotating tines.**



## RECYCLING AND DISPOSAL






**⚠ WARNING! Waste electrical products should not be disposed of with household waste. Please recycle where facilities exist. Check with your local authority or local store for recycling advice.**

 Old products are potentially recyclable and do not, therefore, belong in your household garbage. You are requested to assist us and our contribution to saving resources and protecting the environment by handing in this product at an equipped collection centre (if there is one available).

The product comes in a package that protects it against damage during shipping. Keep the package until you are sure that all parts have been delivered and the product is function properly. Recycle the package afterwards.












### SAFETY SYMBOLS

**WARNING!** Please read all of the safety and operating instructions carefully before using this tool. Please pay particular attention to all sections of this User Guide that carry warning symbols and notices. Some of the following symbols may be used on this tool.

V	Volts
A	Ampere
Hz	Hertz
W	Watts
kg	Kilograms
min <sup>-1</sup>	per minute
mm	Millimetre
 or a.c.	Alternating current
n <sub>0</sub>	No load speed
∅	Diameter
	Lock / to tighten or secure
	Unlock / to loosen
	Warning! Danger.
	Read the operator's manual

	Wear hearing protection.
	Wear CSA Approved Eye Protection.
	Wear a face mask.
	Wear protective helmet and eye protection.
	Wear protective gloves.
	Wear protective footwear.
	Switch the garden tiller off and disconnect from the mains plug before assembly, cleaning, adjustments, maintenance, storage and transportation.
	Do not expose the garden tiller to rain or wet conditions.
	Mow across the face of slopes, never up and down.
	Keep extension cord away from the tines during operation! Danger of electric shock.



	<p>Inspect the area where the garden tiller is to be used and remove all objects which can be thrown by the garden tiller. If objects are hidden while operating stop the garden tiller and remove the object.</p>		<p>Disconnect from the mains plug if the cord is damaged or entangled. <b>DO NOT TOUCH THE CORD BEFORE DISCONNECTING THE SUPPLY.</b></p>
 	<p>Keep hands and feet away from sharp rotating parts – danger of injury! When cleaning, repairing, or inspecting, make certain the tines and all mowing parts have stopped.</p>		<p>Remove plug from the power source immediately if the power cord is damaged or cut.</p>
	<p>Tines continues to rotate after the garden tiller is switched off. Wait until all machine components have completely stopped before touching the garden tiller.</p>		<p>Protection class II (Double insulation)</p>
 	<p>Objects thrown by the garden tiller could hit the user or other bystanders. Always ensure that other people and pets remain at a safe distance from the garden tiller when it is in operation.</p>		<p>WEEE symbol. Waste electrical products should not be disposed of with household waste. Please recycle where facilities exist. Check with your Local Authority or local store for recycling advice.</p>
			<p>Recycle electrical waste products in an environmentally safe way where facilities exist.</p>

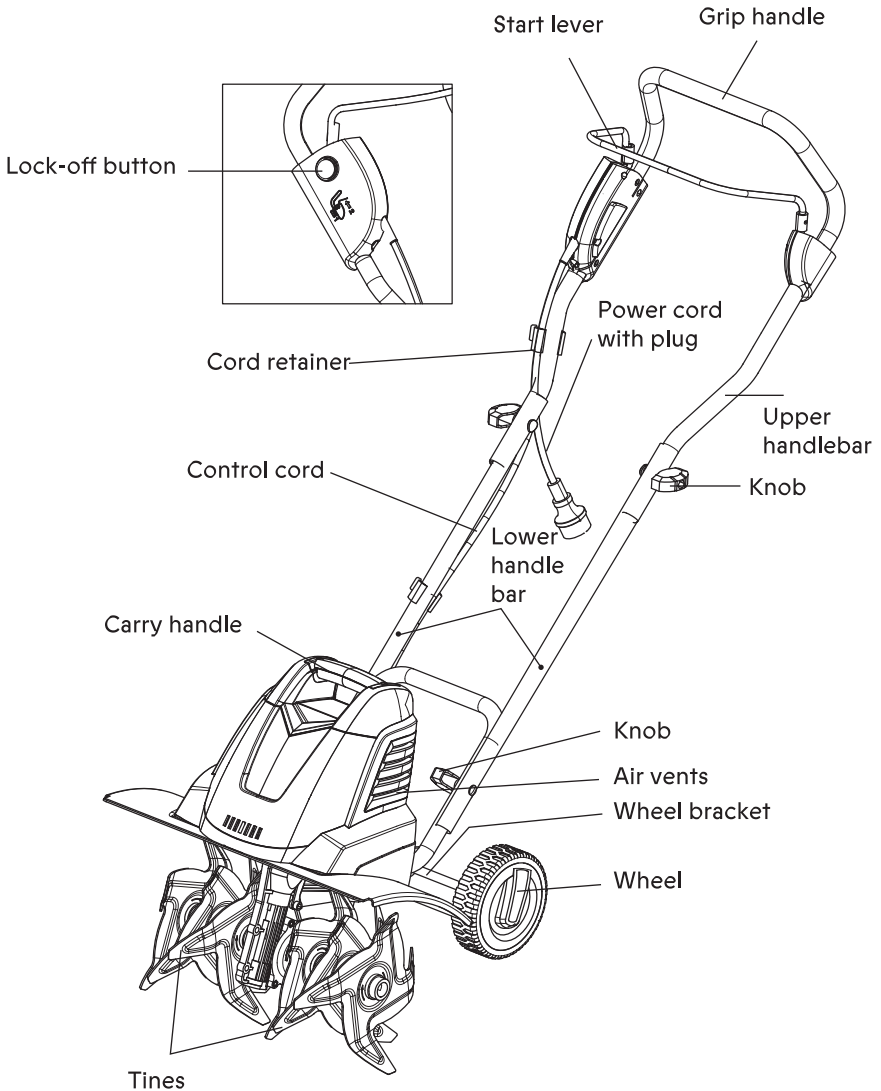


This symbol designates that this tool is listed with Canadian and U.S. requirements by cTUVus Testing Laboratories, Inc.

UL 82, CSA C22.2 NO.147

TLEG09A

## KNOW YOUR GARDEN TILLER



## ASSEMBLY

### UNPACKING

1. Unpack all parts and lay them on a flat, stable surface.
2. Remove all packing materials.
3. Make sure the contents are complete and free of any damage. If you find that parts are missing or show damage do not use the garden tiller but contact Customer Service @ 1-866-349-8665. Using an incomplete or damaged product represents a hazard to people and property.
4. Ensure that you have all the accessories and tools needed for assembly and operation. This also includes suitable personal protective equipment.

**⚠ WARNING!** The garden tiller must be fully assembled before operation! Do not use a garden tiller that is only partly assembled or assembled with damaged parts!

Follow the assembly instructions step-by-step and use the pictures provided as a visual guide to easily assemble the garden tiller!

Do not power the garden tiller until it is completely assembled.

**NOTE:** Take care of small parts that are removed during assembly or when making adjustments. Keep them secure to avoid loss.

### INSTALLING WHEELS ON THE GARDEN TILLER

1. Remove the wheel cover (3) from the wheel (1) using a flat head screwdriver (not included) (Fig.3).
2. Align and pass the mounting hole of the wheels (1) through the wheel shaft (Fig. 3, step 1).
3. Insert the splint (2) through the holes of wheel shaft (4), and secure the cotter pin (2) by separating two tips of cotter pin(2) with a flat head screwdriver (not included) (Fig. 3, step 2).
4. Reattach the wheel cover (3) to the wheel (1) until you hear an audible click (Fig. 3, step 3).

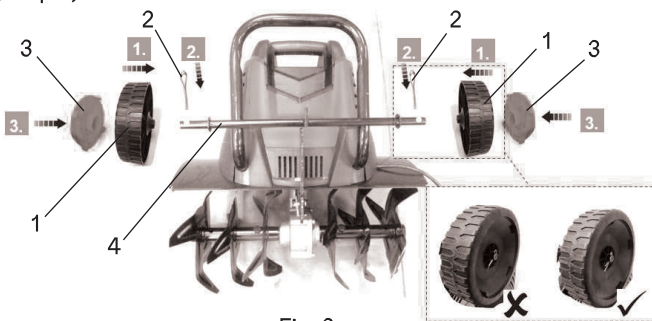


Fig. 3

### INSTALLING LOWER HANDLEBAR

1. Align two lower handlebars (1) with the handle support bar (2) (Fig. 4).
2. Pass the bolts (3) through the mounting holes (Fig. 4, step 1).
3. Secure the lower handlebars (1) by turning the knob (4) clockwise to tighten (Fig. 4, step 2).
4. Make sure that the control cord (5) is aligned on the upper side of the lower handlebar (1) (Fig. 4).

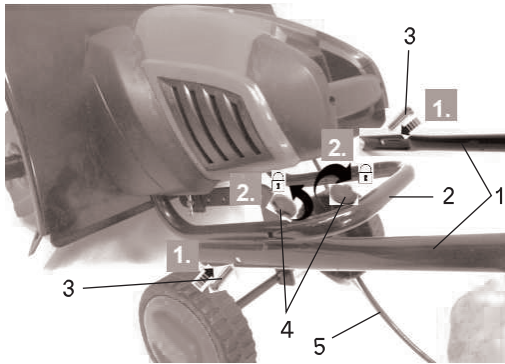


Fig. 4

### INSTALLING UPPER HANDLE BAR

1. Pass the cord retainer (1) through the upper handlebar (2) and ensure the start lever (3) is in front of the main handle (4) when viewed from behind.(Fig.5)
2. Align the upper handlebar (2) with two lower handlebars (5) (Fig.5).
3. Pass the bolts (6) through the mounting holes of handles (Fig. 5, step 1).
4. Secure the upper handlebar (2) by turning the knob (7) clockwise for tightening (Fig. 5, step 2).
5. Secure the control cord (8) with two wire clips (9) (Fig. 6).

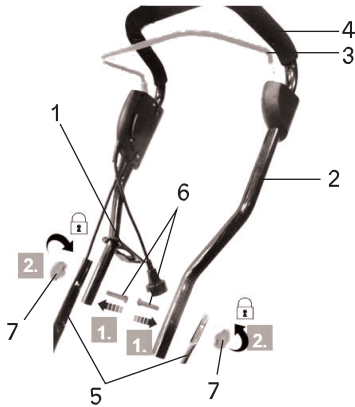


Fig. 5

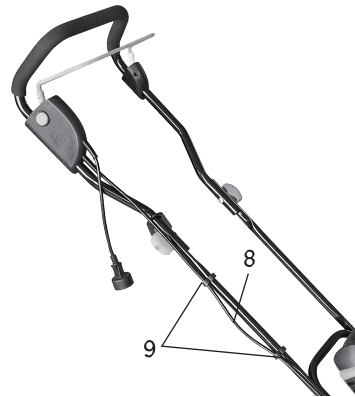


Fig. 6

## CONNECTION TO POWER SUPPLY

For safety reasons the product is equipped with a short power cord. Do not connect the garden tiller directly to the power supply using this power cord. A proper extension cord is required for operation. Observe the technical requirements for this garden tiller when purchasing an extension cord.

**⚠ WARNING!** For your safety, it is required that the plug attached to this garden tiller is always connected to an extension cord! The extension cord must be suitable for outdoor use with sockets protected against water splashing! Ensure the extension cord is of the proper size and type for your product!

1. Double the extension cord back, about 12" (30cm) from the end and lead the loop through the cord retainer (1) (Fig. 7, step 1) and hang the loop over the hook (Fig. 7, step 2). Gently tug on the cord to ensure that it is firmly secured.
2. Connect the power cord (2) to the socket of the extension cord (3) (Fig. 7, step 3).

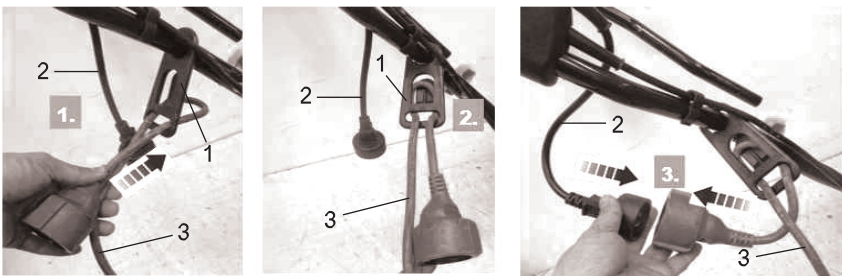


Fig. 7

## OPERATION

### SWITCHING ON/OFF

1. Press down the lock-off button (3) and hold it in position (Fig. 8, step 1),
2. Pull the start lever (2) towards the grip handle (1) (Fig. 8, step 2) to switch the garden tiller on, release the lock-off button (3) afterwards.
3. Release the start lever (2) to switch the garden tiller off.

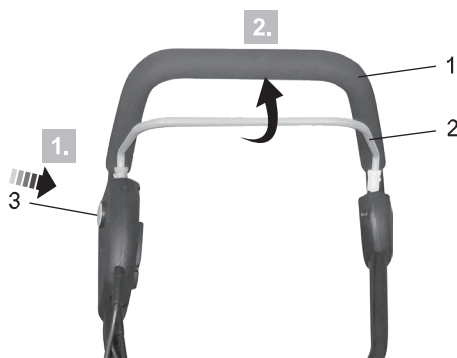


Fig. 8

### TILLING HEIGHT ADJUSTMENT

- ⚠ WARNING!** Always switch the garden tiller off and disconnect it from power supply before making any adjustments!

The tilling height can be adjusted according to your needs:

1. Pull out the cotter pin (1) from the hole of lock bolt (2) using a long nose plier for assistance (Fig. 9, step 1).
2. Push the lock bolt (2) off the mounting holes of wheel bracket (3), and keep them secure to avoid loss (Fig. 9, step 2).
3. Slide the wheel bracket (3) upward or downward to the desired position (Fig. 9, step 3).
4. Align the mounting holes of the wheel bracket (3), and reassemble the lock bolt (2) and cotter pin (1).

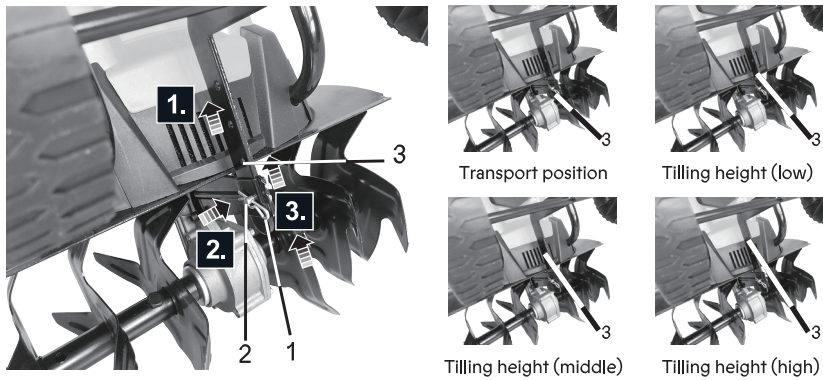


Fig. 9

- ⚠ WARNING!** The tilling height can be adjusted with three different positions. Always ensure the wheel bracket are securely locked with the lock bolt (2) and cotter pin (1)!

## GENERAL OPERATION

1. Check the product, its power cord and plug as well as accessories for damage before each use. Do not use the product if it is damaged or shows wear.
2. Double check that accessories or cutting device are properly fixed.
3. Always hold the product by its handle. Keep the handle dry and free from lubricant to ensure safe support.
4. Ensure that the air vents are always unobstructed and clear. Clean them if necessary with a soft brush. Blocked air vents may lead to overheating and damage the garden tiller.
5. Switch the garden tiller off immediately if you are disturbed while working by other people entering the working area. Always let the garden tiller come to a complete stop before leaving it unattended.
6. Do not overwork yourself. Take regular breaks to ensure you can concentrate on the work and have full control over the garden tiller.

- ⚠ WARNING!** In some countries regulations define at what time of the day and on what special days products are allowed to be used and what restrictions apply! Ask your community for detailed information and observe the regulations in order to preserve a peaceful neighbourhood and avoid committing administrative offences!



**WARNING!** Ensure the extension cord will not touch the tines during operation! Danger of electric shock!



### STARTING/STOPPING



**WARNING!** Before starting, put the garden tiller on the soil! Ensure the wheels have been adjusted to upper position.



Keep your feet well away from the tines of the garden tiller! The tines will continue to rotate for a short period after the product has been switched off.

1. Stand behind the grip handle.
2. While holding the lock-off button pressed, pull the start lever towards the grip handle.
3. After the tiller starts, release the lock-off button.
4. Release the start lever to stop the garden tiller.

### TILLING

1. Make sure that the lawn is clear of stones, sticks, wire or other objects that could damage the product.
2. Do not till very wet soil because it tends to stick to the cutting device (tines) preventing the proper rotation, and it could also cause you to slip and fall.
3. Always maintain a firm grip on the garden tiller (Fig. 10).

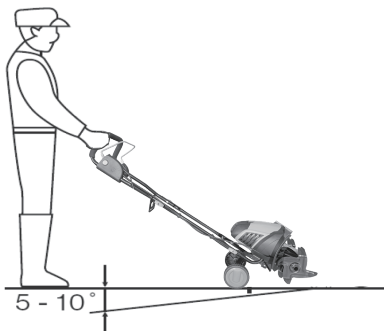


Fig. 10



Fig. 11





**WARNING!** Never carry the garden tiller as shown in Fig.11. The tines could engage, resulting in serious injury to the user.

4. Do not try to till too deeply or force the product into soil that is extremely hard or resistant.
5. Walk the garden tiller through the soil at a normal pace and in as straight a line as possible.
6. Till in slight overlapping rows. The most effective pattern for tilling soils is moving the product up and down in vertical lines, then move the product in horizontal lines from left to right (Fig. 12). This will keep the rows even and ensures that all the ground is tilled without missing any spots.
7. Pay special attention when changing direction.

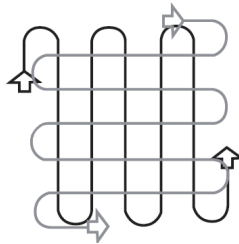


Fig. 12



**WARNING!** If the garden tiller strikes a foreign object stop immediately! Let the product cool down and thoroughly inspect the product for damage! Have any damage repaired before restarting!




Extensive vibration of the garden tiller during operation is an indication of damage! Stop the motor. The product should be promptly inspected and repaired!

### AFTER USE


1. Switch the garden tiller off, disconnect it from the power supply and let it cool down.
2. Check, clean and store the garden tiller as described below.

## MAINTENANCE

 **WARNING!** Always switch the garden tiller off and disconnect it from the power supply. Let the garden tiller cool down before performing inspection, maintenance and cleaning work!



1. Keep the garden tiller clean. Remove debris from it after each use and before storage.
2. Regular and proper cleaning will help ensure safe use and prolong the life of the garden tiller.
3. Inspect the garden tiller before each use for worn and damaged parts. Do not operate it if you find broken and worn parts.

 **WARNING!** Only perform repairs and maintenance work according to these instructions! All further works must be performed by a qualified specialist!

## CLEANING

1. Clean the garden tiller with a dry cloth. Use a brush for areas that are hard to reach.
  2. Remove stubborn dust with high pressure air (40 PSI).
- NOTE:** Do not use chemical, alkaline, abrasive or other aggressive detergents or disinfectants to clean this product as they might be harmful to its surfaces.
3. Check for any damage and wear. Repair damages in accordance with this instruction manual or take it to an authorised service centre before using the garden tiller again.

## UNDERBODY AND CUTTING DEVICE (TINES)

 **WARNING!** Wear safety gloves when working on tines and close to them!



Never use your bare hands!

Always use original spare parts for replacement. Tines should be replaced by a qualified specialist!

1. Keep the underbody and tines clean and free of debris. Remove soil from the cutting device (tines) with a proper brush or tool.
2. All nuts and bolts must be checked periodically for tightness before operation. After prolonged use, especially in sandy soil conditions, the cutting device (tines) will become worn and lose some of the original shape. Tilling efficiently will be reduced and the cutting device (tines) should be replaced.
3. Have worn or damaged parts replaced with new ones of the same type by a qualified specialist.
4. Hold the nut (3) firmly using a suitable wrench, and loosen the hex bolt (2) counterclockwise using a suitable wrench, and then remove them and keep them secure to avoid loss (Fig.13).

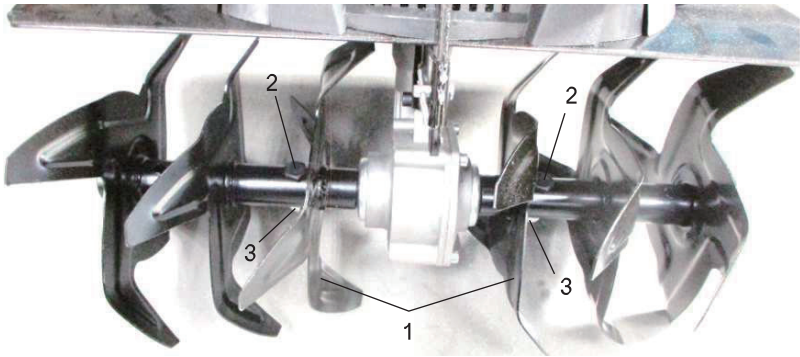


Fig. 13

5. Replace the tines (1) with the same type. Align the mounting holes of the tine and the tine shaft, pass the hex bolt (2) through the mounting holes, and fix the tine (1) with the nut (3). Hold the nut (3) firmly using a suitable wrench, then tighten the hex bolt (2) clockwise using a suitable wrench with 33-44FT LB to ensure safe operation of your garden tiller (Fig. 14).

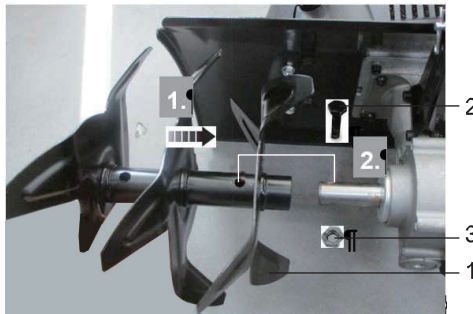


Fig. 14

- ⚠ DANGER!** If the tines are not tightened on properly, they could become loose and be thrown from the product and seriously hurt or kill the operator or bystanders.

6. To prolong the life span of the cutting device (tines) and the product, it is recommended that the tines are lubricated after each use.

**POWER CORD**

Check the power cord before each use. If the supply cord of this power tool is damaged, it must be replaced by the manufacturer.

**STORAGE**

1. Store the garden tiller and its accessories in a dry, frost-free place.
2. Always store the product in a place that is inaccessible to children. The ideal storage temperature is between 50°F/10° C- 86°F/30°C.  
We recommend using the original package for storage or covering the
3. product with a suitable cloth or enclosure to protect it against dust.

**TRANSPORTATION**

1. Switch the garden tiller off and disconnect it from the power supply before transporting it anywhere.
2. Always transport the garden tiller by its carrying handle.
3. Protect the garden tiller from any heavy impact or strong vibrations which may occur during transportation in vehicles.
4. Secure the garden tiller to prevent it from slipping or falling over.

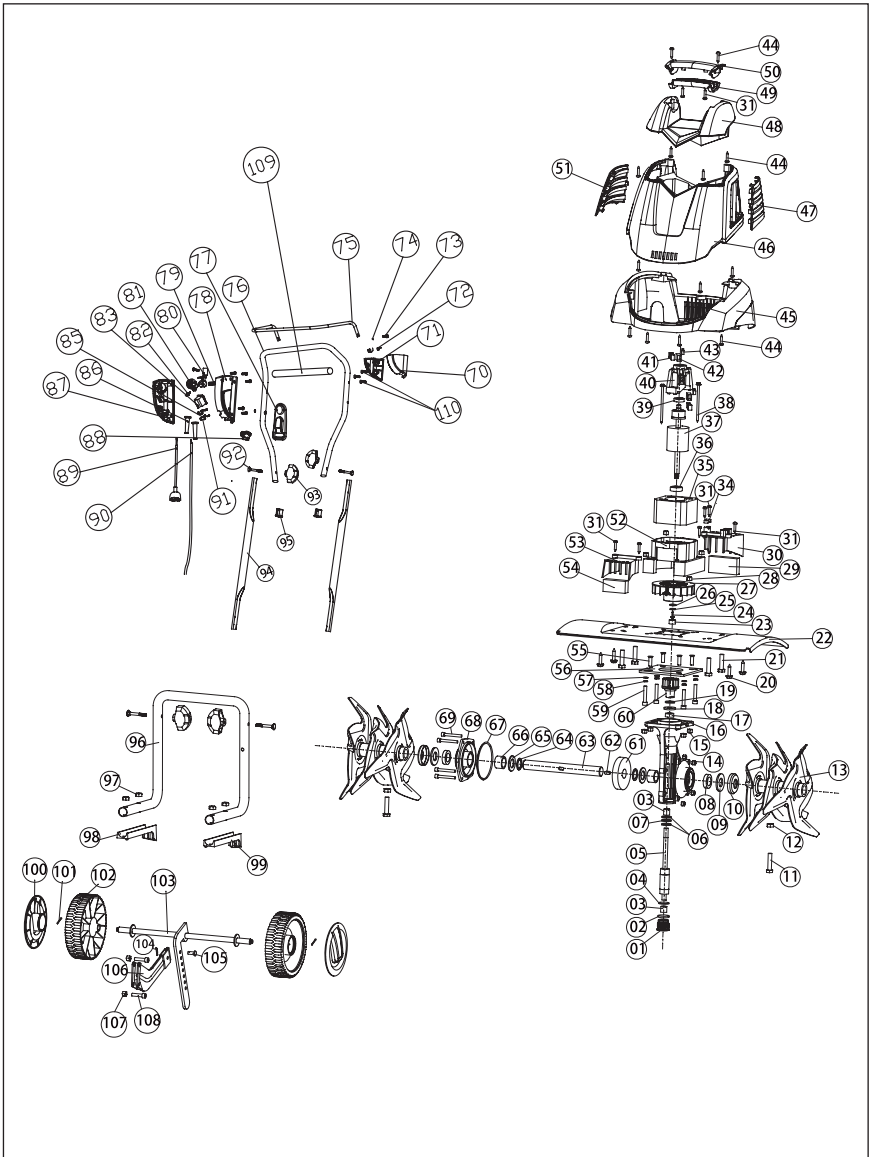
## TROUBLESHOOTING

Suspected malfunctions are often due to causes that the user can fix themselves. Therefore check the garden tiller using this section. In most cases the problem can be solved quickly.

**⚠ WARNING!** Only perform the steps described within these instructions! All further inspection, maintenance and repair work must be performed by an authorised service centre or a similarly qualified specialist if you cannot solve the problem yourself!

Problem	Possible cause	Fault Correction
1. Garden tiller does not start	1.1 Not connected to power supply	1.1 Connect to power supply
	1.2 Power cord or plug is defective	1.2 Have an electrician inspect
	1.3 Other electrical defect to the product	1.3 Have an electrician inspect
	1.4 Lock-off button not pressed before squeezing the start lever	1.4 Press the lock-off button first, then squeeze the start lever
2. Garden tiller does not reach full power	2.1 Not suitable extension cord	2.1. Use a proper extension cord
	2.2 Power Source (e.g. generator) voltage too low	2.2 Connect to another power source
	2.3 Air vents are blocked	2.3. Clean the air vents
3. Unsatisfactory result	3.1 Tines are dull/damaged	3.1 Replace
	3.2 Tines not suitable for ground material	3.2 Use product only on suitable ground
	3.3 Tilling height is incorrect	3.3 Adjust tilling height
4. Excessive vibration or noise	4.1 Tines are dull/damaged	4.1 Replace
	4.2 Bolts/nuts are loose	4.2 Tighten bolts/nuts
	4.3 Tilling height is incorrect	4.3 Adjust tilling height

### EXPLODED VIEW



## PARTS LIST

**⚠ WARNING:** When servicing, use only original equipment replacement parts. The use of any other parts may create a safety hazard or cause damage to the garden tiller.

Any attempt to repair or replace electrical parts on this tiller may create a safety hazard unless repairs are performed by a qualified technician. For more information, call the Toll-free Helpline, at 1-866-349-8665 – Friday from 9am to 5pm Eastern Standard Time.

Always order by PART NUMBER, not by key number.

Key #	Part Name	Quantity
1	Sealing	1
2	O ring $\phi$ 20*3.2	1
3	Drawn cup needle roller bearing HK0912	2
4	O ring $\phi$ 18*1.8	1
5	Worm gear	1
6	Washer	1
7	Bearing	1
8	Skeleton sealing ring	2
9	Dustproof sealing 1	2
10	Washer	2
11	Hexagon head bolt M8*45	2
12	Prevailing torque type hexagon nuts (with nonmetallic insert) M8	2
13	3pcs Blade assembly	2
14	Prevailing torque type hexagon nuts (with nonmetallic insert), Style M5	4
15	Prevailing torque type hexagon nuts (with nonmetallic insert), Style M6	4
16	Bevel wheel box	1
17	Skeleton sealing ring	2
18	Dustproof ring	1
19	Circlips for shaft type $\phi$ 10	1
20	Screw ST6*25	4
21	Hexagon head bolt M8*35	4
22	Base plate	1
23	Fan cover	1
24	Bolt m5*12	1
25	$\phi$ 5 washer	1
26	$\phi$ 6 washer	2
27	Fan	1
28	Self locking torque type hexagon nuts (with non metallic insert)	4

Key #	Part Name	Quantity
29	Dustproof sponge	1
30	Rear guide plate	1
31	Screw ST4*16	1
32	Capacitor	1
33	Electric resistance	1
34	Cable pressure plate	1
35	Stator assembly	1
36	6000 Deep groove ball bearing	1
37	Armature assembly	1
38	Hexagonal flange face tapping screw (ST4*70)	2
39	608 Deep groove ball bearing	1
40	Motor rear support	1
41	Carbon brush	2
42	Carbon brush holder	2
43	Carbon brush insert	2
44	Screw ST4*20	/
45	Base plate	1
46	Middle cover	1
47	Left wind window	1
48	Cover	1
49	Under handle	1
50	Upper handle	1
51	Right wind window	1
52	Motor front support	1
53	Front guide plate	1
54	Dustproof sponge <sup>1</sup>	1
55	Bolts M6×18	4
56	Connect plate	1
57	Φ6 washer	4
58	Φ5 washer	4
59	Inner hexagon head bolt m6*40	4
60	Shaft connector a	1
61	Bevel wheel	1
62	6*6*12pin	/
63	Output shaft	1
64	Circlips for drive shaft type a $\phi$ 20	2
65	Φ20.3* φ28* φ0.50 washer	2
66	Axle sleeve (φ20* φ26* φ16)	2
67	O ring φ75*2.40	1
68	Bevel wheel cover	1
69	Inner hexagon head bolt M5*40	4
70	Lower left switch box	1



Key #	Part Name	Quantity
71	Upper left switch box	1
72	Spring of trigger	1
73	Screw M4*10	2
74	Left trigger connecting rod	1
75	Switch trigger	1
76	Upper bend tube	1
77	Cable buckle	1
78	Lower right switch box	1
79	Switch button spring	1
80	Right trigger connecting rod	1
81	Switch button	1
82	Draw spring	1
83	Switch	1
84	Inductance	1
85	Screw ST4*16	4
86	Cable sheath	2
87	Upper right switch box	1
88	Cable buckle 2	2
89	Cable	1
90	Connect line	1
91	Wire plate	1
92	Bolts M6×40	4
93	Knob	4
94	Middle tube	2
95	Plastic plug	2
96	Lower tube	1
97	Self locking torque type hexagon nuts (with non metallic insert), Style 1 M8	4
98	Lower right tube seat	1
99	Lower left tube seat	1
100	Wheel cover	2
101	Ø2.5*18 cotter	2
102	Wheel	2
103	Spur	1
104	B pin	1
105	Pin roll	1
106	Wheel stand	1
107	Self locking torque type hexagon nuts (with non metallic insert), Style M6	2
108	Inner hexagon head bolt M6*25	2
109	Sponge sleeve	1
110	Screw ST4*30	2

## **WARRANTY**

### **RADLEY 12A GARDEN TILLER WARRANTY**

If this Radley Tool fails due to a defect in material or workmanship within three years from the date of purchase, return it to any Home Hardware store with the original bill of sale for exchange. Two years for battery and charger. This warranty does not include expendable parts including but not limited to blades, brushes, belts and light bulbs. This warranty covers defects in material or workmanship only. It does not cover normal wear and tear, failure due to abuse/misuse, or defects caused by careless or accidental mishandling. If this Radley product is used for commercial or rental purposes, this warranty does not apply. For use at the consumer level, The warranty is not for industrial or commercial applications.

12 Amp  
Front Tine

# Rototiller

Owner's Manual

3 Year limited  
warranty



Radley®

EXCLUSIVE TO HOME HARDWARE

For information on the entire line up of Radley power  
tools visit [homehardware.ca](http://homehardware.ca) or your local Home Hardware retail store.

MADE IN CHINA / FABRIQUÉ EN CHINE  
HOME HARDWARE STORES LIMITED  
ST. JACOBS, ONTARIO N0B 2N0  
ORDER ONLINE / COMMANDE EN LIGNE  
[homehardware.ca](http://homehardware.ca)

© 12 / 2020 Home Hardware Stores Limited



5140-003