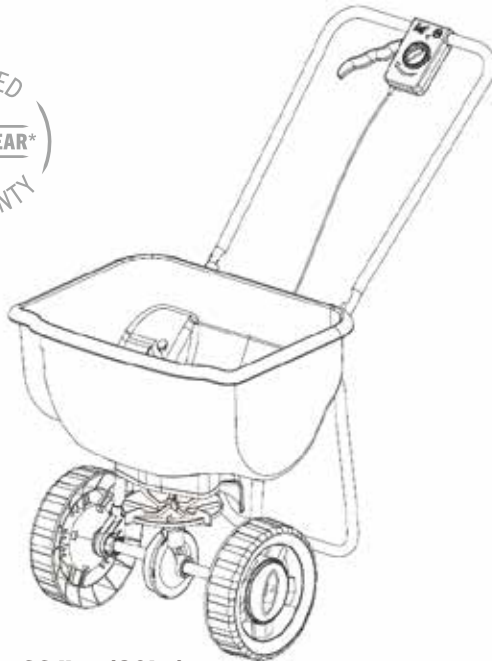


BENCHMARKTM MC

BROADCAST SPREADER 15,000 ft² (1394 m²)

SKU# 5132-220

LIMITED
5 YEAR*
WARRANTY



Maximum Load : 66 lbs. (30kg)

NEED ASSISTANCE?

Call us on our toll-free customer support line:
1 866-349-8665 (Monday through Friday 9am – 5pm Eastern Standard Time)

- Technical questions
- Replacement parts
- Parts missing from package

SAFETY INFORMATION

This broadcast spreader is designed, engineered and tested to offer safe and effective service, provided that it is operated in accordance with these instructions. Failure to do so may result in personal injury. Always observe the rules of safe operation.

- Do not allow anyone to operate the spreader without proper instructions.
- Do not allow children to operate or ride on the spreader.
- Holds up 15000 ft² of materials. Do not over fill.
- Always wear eye and hand protection when handling or applying lawn & garden chemicals.
- Read all chemical label instructions and cautions for handling and applying the chemicals purchased for spreading.
- Keep all nuts, bolts and screws tight to be sure equipment is in safe operation. **DO NOT OVER TIGHTEN.**
- Follow maintenance and lubrication instructions as outlined in manual.
- Always wear proper footwear (sturdy, closed toe shoes) when operating spreader.
- Do not wear loose clothing as it can get caught in moving parts.
- Stay alert for holes in the terrain and other hidden hazards.
- Fill the spreader over the driveway. Be sure and clean any product that spills.

HANDLE ASSEMBLY

1. Unscrew the carriage bolts and nuts from either side of the rear of the frame (fastened to lower frame for transport) and set aside.
2. Align the holes on either side of the upper handle to the holes on the lower handle.
3. Insert the bolts into the upper handle holes and through the holes in the lower handle on either side of the spreader.
4. Hand tighten the nuts.
See (Fig.1) below.

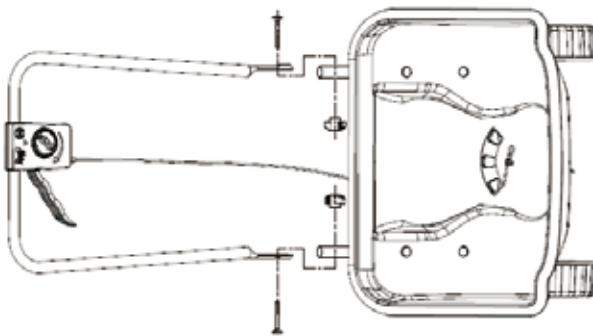


Fig.1

OPERATION

1. Inspect the spreader to ensure it's clean and in good working condition and check for any damaged parts.
2. Fill the spreader with the material you're spreading (e.g., fertilizer, seed, or ice melt). Be careful not to overfill and spread the material evenly in the hopper for consistent application.
3. Adjust the setting control dial (yellow dial) to control the amount of material broadcast. Turn the dial clockwise to allow more material out, and counterclockwise for less. Adjust according to the recommended application rate found on the product label or for general application rates reference chart (Fig. 4) below.

NOTE: Do NOT squeeze the yellow flow control grip when adjusting the flow rate dial.

4. Start walking at a steady pace recommended is 4 ft/sec. The speed at which you walk will affect the spread pattern and the application rate. Start spreading material by squeezing and holding the yellow flow control grip.

NOTE: To avoid potential lawn damage, always push spreader in a forward motion when applying fertilizer. Release flow control grip at turns or when you stop.

5. Overlap Passes: To avoid streaks, slightly overlap each pass. This ensures full coverage. See diagram below (Fig.2).

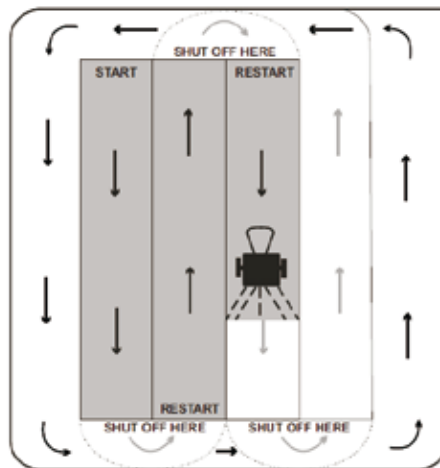


Fig.2

*Avoid Over-Application: Follow the recommended application rates to prevent over-fertilizing or spreading too much material.

CAUTION: Care must be taken with any weed killer, pesticide, or combination product. These products can be harmful to other plants.

HOW TO MEASURE LAWN APPLICATION TOTAL

To calculate how many pounds of fertilizer to put down, you first need to read on the fertilizer bag how many square feet the fertilizer will cover. For example: a bag of fertilizer that states it will cover 15,000 square feet, and weighs 46.56 pounds. To figure out coverage simply divide the bag weight by the suggested coverage to get how many pounds per square feet. This example would be $46.56/15.000 = .003104$ pounds per square feet. To convert up to 1,000 square feet simply multiply $.003104$ by 1,000 to equal 3.104 pounds.

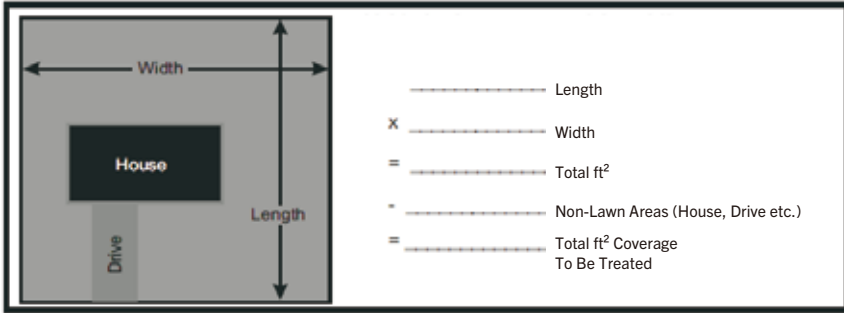


Fig.3

SPREADING CHART

Speed		Setting	Spreading width (ft)	LBS per 1000 ft ²
ft/s	mph			
4.00	2.73	2	5.6	0.60
4.00	2.73	3	6.9	1.14
4.00	2.73	4	8.2	1.50
4.00	2.73	5	9.5	1.76
4.00	2.73	6	10.8	1.95
4.00	2.73	7	11.8	2.27
4.00	2.73	8	12.1	2.95
4.00	2.73	9	12.5	3.59
4.00	2.73	10	12.8	4.20
4.00	2.73	11	13.1	4.44
4.00	2.73	12	13.8	4.55
4.00	2.73	13	14.1	4.76
4.00	2.73	14	14.4	4.90
4.00	2.73	15	15.1	4.90

Fig.4

CAUTION: These settings are intended for reference only. As there are many variables involved with setting any spreader, including physical composition of the material being applied, walking speed and terrain; settings may have to be adjusted. Because of these conditions, Supplier makes no warranty as to the uniformity of coverage actually obtained from the settings listed.

MAINTENANCE

- Never leave unused product in the spreader.
- If any product lands on any hard surfaces such as driveway, sidewalk or road, sweep the product.
- Wash spreader thoroughly after use and allow to dry before storing.
- Periodically spray lubricant on all rotating parts.
- Do not allow product and/or rinse water to enter storm drains or sewers.
- Store the spreader in a dry place to avoid rust and damage.

WARRANTY

If this Benchmark tool fails due to a defect in material or workmanship within 5 years from the date of purchase, return it to any Home Hardware store with the original bill of sale for exchange. This warranty covers defects in material or workmanship only. It does not cover normal wear and tear, failure due to abuse/misuse, or defects caused by careless or accidental mishandling. If this Benchmark product is used for commercial or rental purposes, this warranty does not apply.

BROADCAST SPREADER

15,000 ft² (1394 m²)



BENCHMARKTM_{MC}

BENCHMARK TOOLS CANADA
ST. JACOBS, ONTARIO N0B 2N0
© 2025 Home Hardware Stores Limited

CUSTOMER SERVICE/TECH SUPPORT
1 866-349-8665

5132-220

Made in China



* This BenchmarkTM product carries a five (5) year LIMITED warranty against defects in workmanship and materials. See Owner's Manual for full details.

**READ ALL INSTRUCTIONS BEFORE FIRST USE.
KEEP THIS MANUAL FOR FUTURE REFERENCE.
KEEP AWAY FROM CHILDREN.**