

BENCHMARKTM MC

COMPOST-PEAT MOSS ROLLER



Item # 5130-001



2 year limited warranty

**READ ALL INSTRUCTIONS BEFORE FIRST USE.
KEEP THIS MANUAL FOR FUTURE REFERENCE.
KEEP AWAY FROM CHILDREN.**



**WEAR CSA APPROVED
EYE PROTECTION**



**WEAR EAR
PROTECTION**



**WEAR A
FACE MASK**

PRODUCT SPECIFICATIONS

COMPOST-PEAT MOSS ROLLER	
Hopper size	16" x 24" (40.6 x 61 cm)
Hopper capacity	2.7-ft ³ (.08 m ³) or 80 LB (36.3 Kg)
Approximate coverage	10 sq ft (0.93 sq m)
Max capacity	2.66 cubic feet of material
Tool weight	23.32 LBS./10.6 KG

NEED ASSISTANCE?

- Technical questions
- Replacement parts
- Parts missing from package

Scan here for support



Email us at: customerservice@powertoolsplus.ca
Call us on our toll-free customer support line:
1-866-349-8665 (9-5pm Monday-Friday EST)

SAFETY INSTRUCTIONS

⚠ WARNING: Read this material before using this product. Failure to do so can result in serious injury.

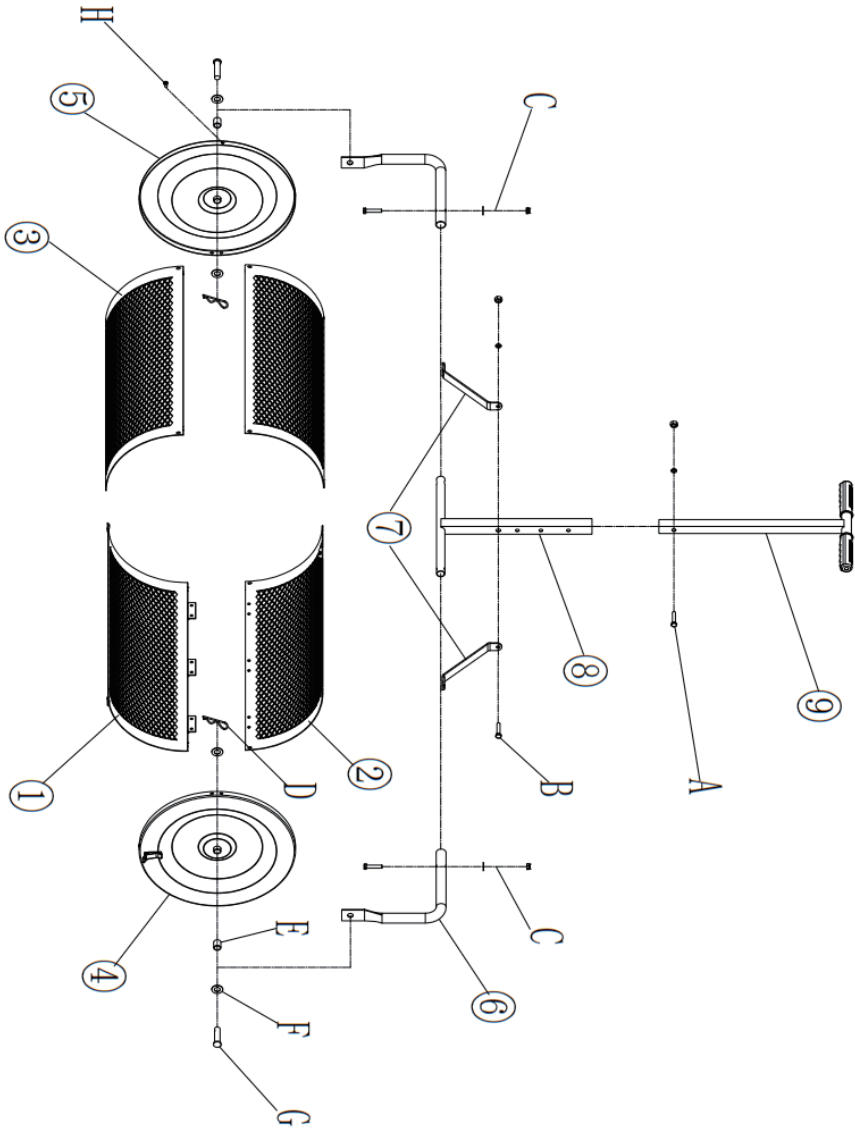
ASSEMBLY PRECAUTIONS

1. Assemble only according to these instructions. Improper assembly can create hazards.
2. Wear ANSI-approved safety goggles and heavy-duty work gloves during assembly.
3. Keep the assembly area clean and well-lit.
4. Keep bystanders out of the area during assembly.
5. The product capabilities apply to properly and completely assembled products only.
6. Assemble on a flat, level, hard and smooth surface capable of safely supporting the spreader.

GENERAL SAFETY WARNINGS

1. Do not sit or stand on this item.
2. This product is not a toy. Do not allow children to play with or near this item.
3. Do not exceed specified weight capacities.
4. Use as intended only.
- 1 5. Inspect before every use; do not use if parts are loose or damaged.

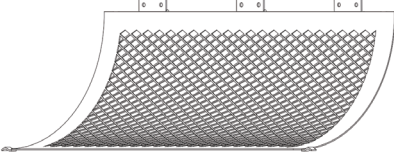
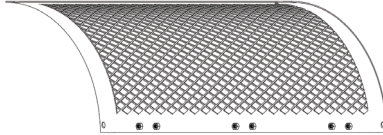
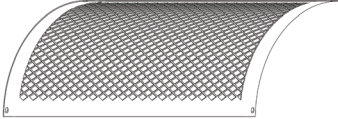

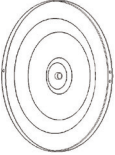
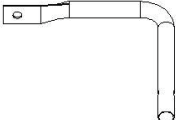
ASSEMBLY OVERVIEW



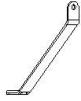
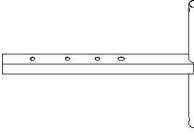

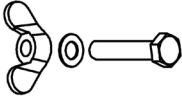


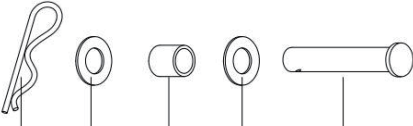

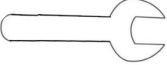

PARTS LIST

⚠ WARNING: When servicing, use only original equipment replacement parts. The use of any other parts may create a safety hazard or cause damage to the tool.

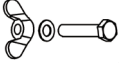
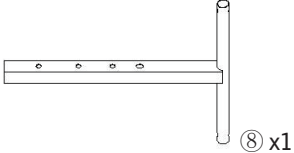
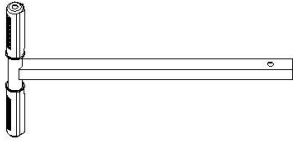
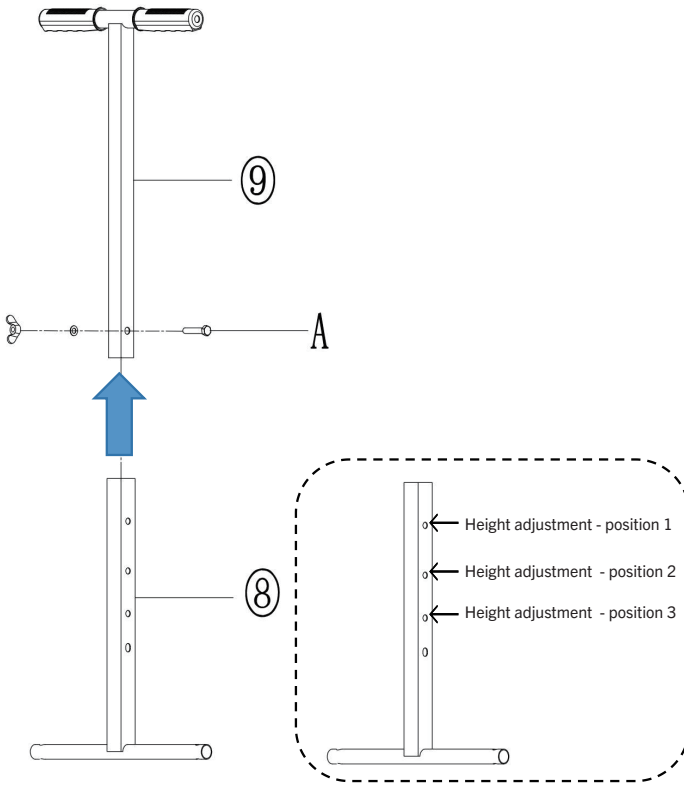
For more information, call the Toll-free Helpline, at 1-866-349-8665 – Monday-Friday from 9am to 5pm Eastern Standard Time or email us at customerservice@powertoolsplus.ca.

Number	Part	Quantity
1	 <p data-bbox="679 699 797 725">No.A Mesh</p>	1
2	 <p data-bbox="679 861 797 887">No.B Mesh</p>	1
3	 <p data-bbox="679 1017 797 1043">No.C Mesh</p>	2
4	 <p data-bbox="679 1199 797 1225">End Cap A</p>	1
5	 <p data-bbox="679 1390 797 1416">End Cap B</p>	1
6	 <p data-bbox="679 1555 867 1581">L-shaped Bracket</p>	2


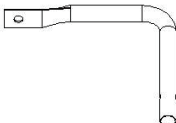

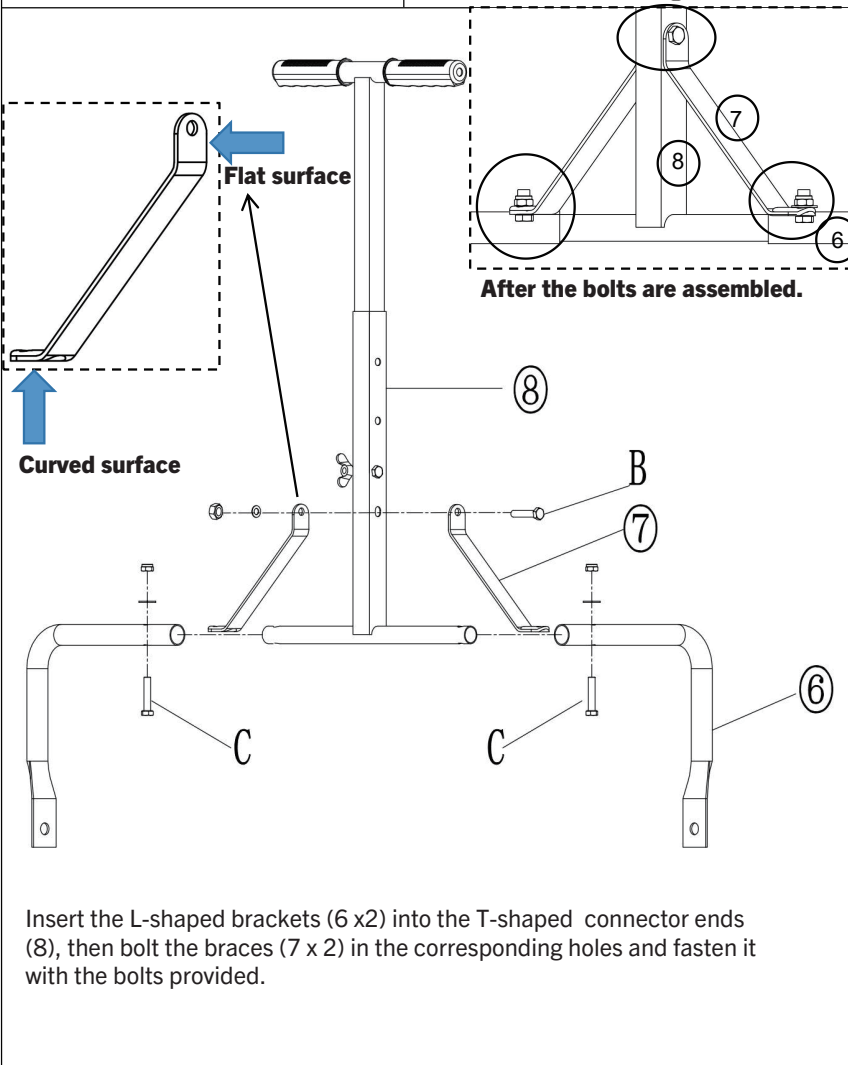
PARTS LIST CONTINUED

7	 Brace	2
8	 T-shaped connector	1
9	 Handle	1
A	 M8 x 45 bolt set	1
B	 M8 x 45 bolt set	1
C	 M8 x 40 bolt set	2
D		2
E		
F		
G		
H	 M6 x 12 screw	18
		x2
		x1


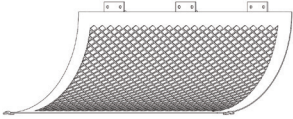
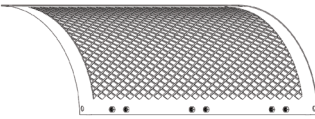
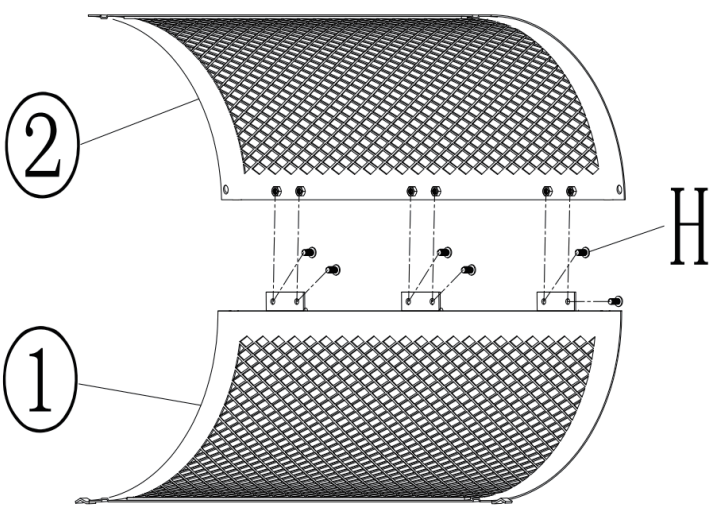
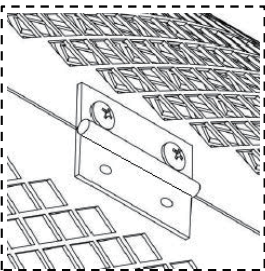
ASSEMBLY STEPS

Handle Assembly	 A x1
 ⑧ x1	 ⑨ x1
 <p>⑧</p> <p>⑨</p> <p>A</p> <p>⑧</p> <p>← Height adjustment - position 1</p> <p>← Height adjustment - position 2</p> <p>← Height adjustment - position 3</p> <ol style="list-style-type: none">1. Insert the T-shaped connector (8) into the handle (9) and fasten it with bolt (A).2. The T-shaped connector (8) is equipped with three holes, which can be used to adjust the height of the handle (9).	




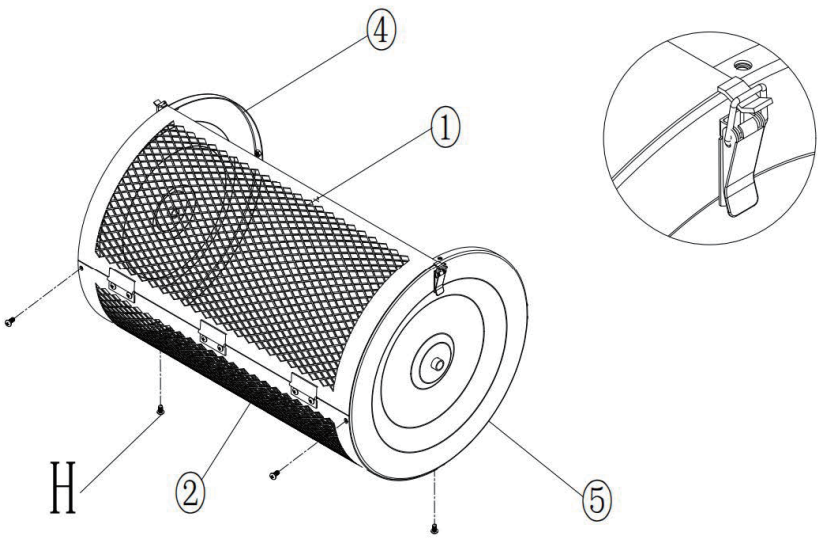
ASSEMBLY STEPS

Assembling the bracket	 B x1 + C x2
 ⑥ x2	 ⑦ x2
 <p data-bbox="629 798 958 824">After the bolts are assembled.</p> <p data-bbox="170 972 335 998">Curved surface</p> <p data-bbox="370 685 511 711">Flat surface</p> <p data-bbox="170 1423 917 1510"> Insert the L-shaped brackets (6 x2) into the T-shaped connector ends (8), then bolt the braces (7 x 2) in the corresponding holes and fasten it with the bolts provided. </p>	

ASSEMBLY STEPS

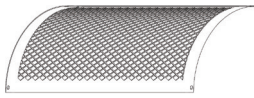
Assembling the hopper	 Hx6
 ① x1	 ② x1
STEP 1  	
<p>Align the mounting holes of Mesh No.A (1) and Mesh No.B (2), then fasten them with screws (H x6).</p>	

ASSEMBLY STEPS

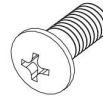
Assembling the hopper cont'd	 H x 4
 ④ x1	 ⑤ x1
<p>STEP 2</p>  <ol style="list-style-type: none"> 1. Use the quick clips on End Cap A (4) and End Cap B (5) to secure Mesh No.A (1). 2. Then fasten Mesh No.B (2) to End Cap A (4) and End Cap B (5) with screws (H x 4) respectively. (Do not fully tighten the screws yet. Complete the tightening only after all mesh panels are properly secured.) <p>NOTE: Due to the arc-to-arc fitting, if holes are misaligned, gently press the fasten mesh No.B (2) by hand to align the positions before tightening the screws.</p>	

ASSEMBLY STEPS

Assembling the hopper cont'd

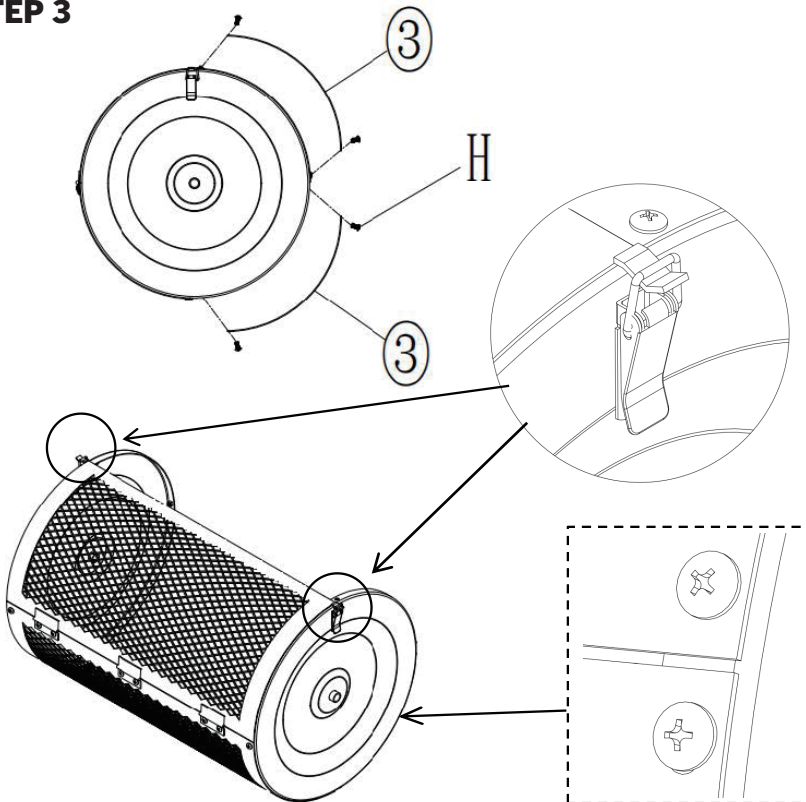


③ x2



H x 8

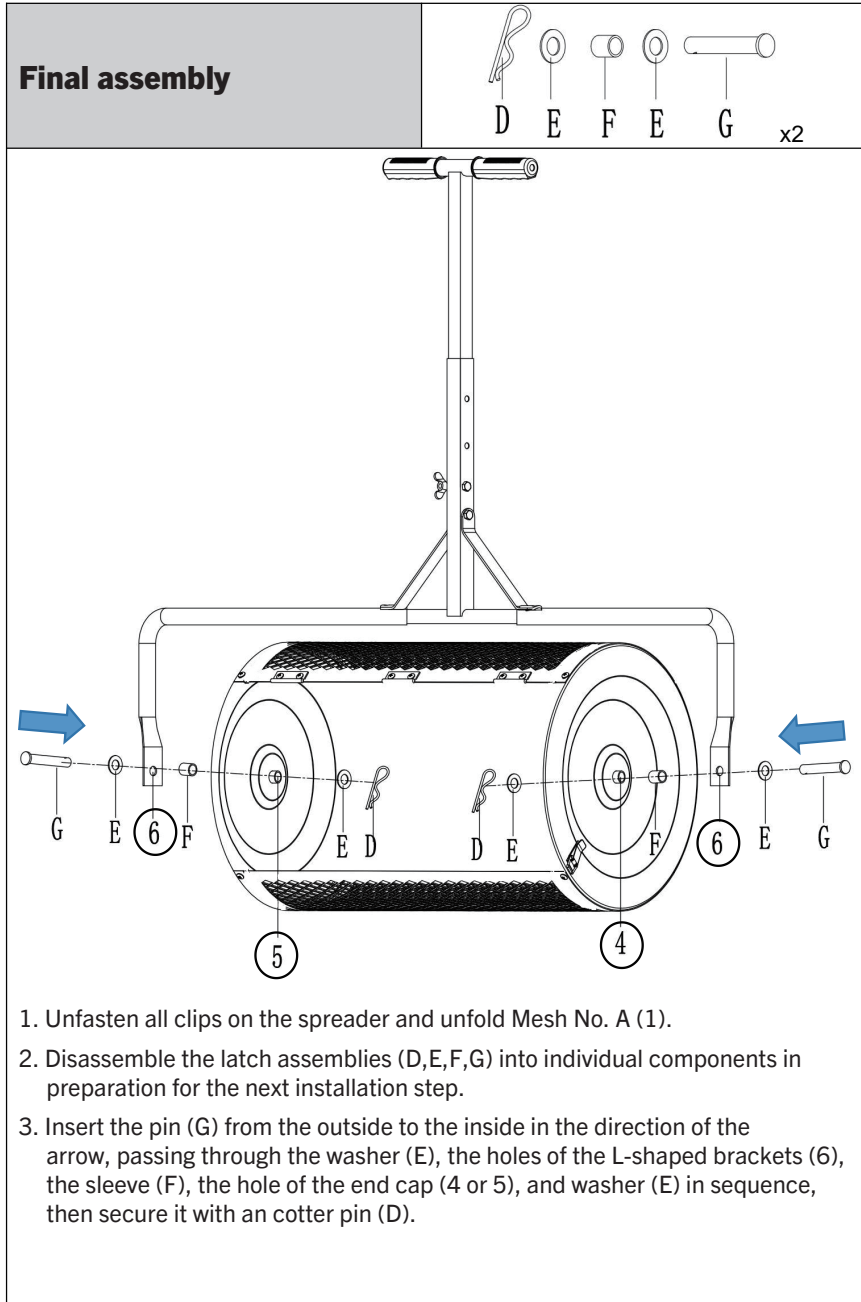
STEP 3



Fix Mesh No. C (3 x2) to the spreader with screws (H x 8). **(Do not fully tighten the screws yet. Complete the tightening only after all mesh panels are properly secured.)**

NOTE: Due to the arc-to-arc fitting, if holes are misaligned, gently press the fasten mesh No.B (2) by hand to align the positions before tightening the screws.

ASSEMBLY STEPS



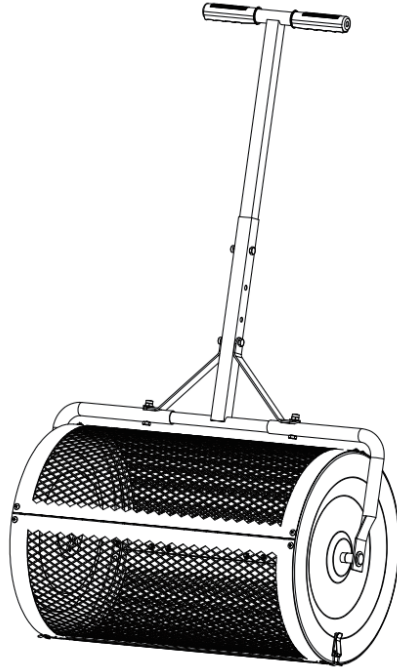
WARRANTY

BENCHMARK WARRANTY FOR COMPOST-PEAT MOSS ROLLER

If this Benchmark tool fails due to a defect in material or workmanship within 2 year from the date of purchase, return it to any Home Hardware store with the original bill of sale for exchange. This warranty does not include expendable parts including but not limited to blades, brushes, belts, light bulbs.

This warranty covers defects in material or workmanship only. It does not cover normal wear and tear, failure due to abuse/misuse, or defects caused by careless or accidental mishandling. If this Benchmark product is used for commercial or rental purposes, this warranty does not apply.

COMPOST-PEAT MOSS ROLLER



BENCHMARKTM_{MC}

BENCHMARK TOOLS CANADA
ST. JACOBS, ONTARIO N0B 2N0
© 2025 Home Hardware Stores Limited
CUSTOMER SERVICE/TECH SUPPORT
1-866-349-8665

5130-001

Made in China



* This BenchmarkTM product carries a two (2) year LIMITED warranty against defects in workmanship and materials.

READ ALL INSTRUCTIONS BEFORE FIRST USE.
KEEP THIS MANUAL FOR FUTURE REFERENCE.
KEEP AWAY FROM CHILDREN.



**WEAR CSA APPROVED
EYE PROTECTION**



**WEAR EAR
PROTECTION**



**WEAR A
FACE MASK**