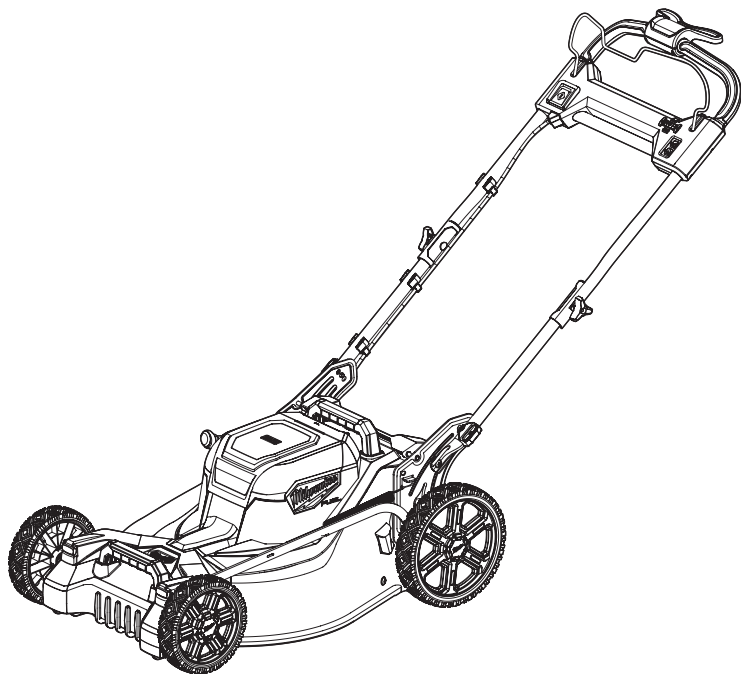




OPERATOR'S MANUAL  
MANUEL de L'UTILISATEUR  
MANUAL del OPERADOR



Cat. No. / No de cat.  
2823-20

**M18 FUEL™ 21" SELF-PROPELLED DUAL BATTERY MOWER**  
**TONDEUSE AUTOPROPULSÉE À DOUBLE BATTERIE**  
**DE 533 mm (21") M18 FUEL™**  
**PODADORA AUTOPROPULSADA DE DOBLE BATERÍA**  
**DE 533 mm (21") M18 FUEL™**



**WARNING** To reduce the risk of injury, user must read and understand operator's manual.

**AVERTISSEMENT** Afin de réduire le risque de blessures, l'utilisateur doit lire et bien comprendre le manuel.

**ADVERTENCIA** Para reducir el riesgo de lesiones, el usuario debe leer y entender el manual.

# IMPORTANT SAFETY INSTRUCTIONS

**WARNING** Read all safety warnings, instructions, illustrations and specifications provided with this power tool. Failure to follow all instructions listed below may result in electric shock, fire and/or serious injury. **Save all warnings and instructions for future reference.** The term "power tool" in the warnings refers to your mains-operated (corded) power tool or battery-operated (cordless) power tool.

## WORK AREA SAFETY

- **Keep work area clean and well lit.** Cluttered or dark areas invite accidents.
- **Do not operate power tools in explosive atmospheres, such as in the presence of flammable liquids, gases or dust.** Power tools create sparks which may ignite the dust or fumes.
- **Keep children and bystanders away while operating a power tool.** Distractions can cause you to lose control.

## ELECTRICAL SAFETY

- **Power tool plugs must match the outlet. Never modify the plug in any way. Do not use any adapter plugs with earthed (grounded) power tools.** Unmodified plugs and matching outlets will reduce risk of electric shock.
- **Avoid body contact with earthed or grounded surfaces, such as pipes, radiators, ranges and refrigerators.** There is an increased risk of electric shock if your body is earthed or grounded.
- **Do not expose power tools to rain or wet conditions.** Water entering a power tool will increase the risk of electric shock.
- **Do not abuse the cord. Never use the cord for carrying, pulling or unplugging the power tool. Keep cord away from heat, oil, sharp edges or moving parts.** Damaged or entangled cords increase the risk of electric shock.
- **When operating a power tool outdoors, use an extension cord suitable for outdoor use.** Use of a cord suitable for outdoor use reduces the risk of electric shock.
- **If operating a power tool in a damp location is unavoidable, use a ground fault circuit interrupter (GFCI) protected supply.** Use of an GFCI reduces the risk of electric shock.

## PERSONAL SAFETY

- **Stay alert, watch what you are doing and use common sense when operating a power tool. Do not use a power tool while you are tired or under the influence of drugs, alcohol or medication.** A moment of inattention while operating power tools may result in serious personal injury.
- **Use personal protective equipment. Always wear eye protection.** Protective equipment such as a dust mask, non-skid safety shoes, hard hat or hearing protection used for appropriate conditions will reduce personal injuries.
- **Prevent unintentional starting. Ensure the switch is in the off-position before connecting to power source and/or battery pack, picking up or carrying the tool.** Carrying power tools with your finger on the switch or energizing power tools that have the switch on invites accidents.

- **Remove any adjusting key or wrench before turning the power tool on.** A wrench or a key left attached to a rotating part of the power tool may result in personal injury.
- **Do not overreach. Keep proper footing and balance at all times.** This enables better control of the power tool in unexpected situations.
- **Dress properly. Do not wear loose clothing or jewelry. Keep your hair and clothing away from moving parts.** Loose clothes, jewelry or long hair can be caught in moving parts.
- **If devices are provided for the connection of dust extraction and collection facilities, ensure these are connected and properly used.** Use of dust collection can reduce dust-related hazards.
- **Do not let familiarity gained from frequent use of tools allow you to become complacent and ignore tool safety principles.** A careless action can cause severe injury within a fraction of a second.

## POWER TOOL USE AND CARE

- **Do not force the power tool. Use the correct power tool for your application.** The correct power tool will do the job better and safer at the rate for which it was designed.
  - **Do not use the power tool if the switch does not turn it on and off.** Any power tool that cannot be controlled with the switch is dangerous and must be repaired.
  - **Disconnect the plug from the power source and/ or remove the battery pack, if detachable, from the power tool before making any adjustments, changing accessories, or storing power tools.** Such preventive safety measures reduce the risk of starting the power tool accidentally.
  - **Store idle power tools out of the reach of children and do not allow persons unfamiliar with the power tool or these instructions to operate the power tool.** Power tools are dangerous in the hands of untrained users.
  - **Maintain power tools and accessories. Check for misalignment or binding of moving parts, breakage of parts and any other condition that may affect the power tool's operation. If damaged, have the power tool repaired before use.** Many accidents are caused by poorly maintained power tools.
  - **Keep cutting tools sharp and clean.** Properly maintained cutting tools with sharp cutting edges are less likely to bind and are easier to control.
  - **Use the power tool, accessories and tool bits etc. in accordance with these instructions, taking into account the working conditions and the work to be performed.** Use of the power tool for operations different from those intended could result in a hazardous situation.
  - **Keep handles and grasping surfaces dry, clean and free from oil and grease.** Slippery handles and grasping surfaces do not allow for safe handling and control of the tool in unexpected situations.
- ## BATTERY TOOL USE AND CARE
- **Recharge only with the charger specified by the manufacturer.** A charger that is suitable for one type of battery pack may create a risk of fire when used with another battery pack.
  - **Use power tools only with specifically designated battery packs.** Use of any other battery packs may create a risk of injury and fire.

- When battery pack is not in use, keep it away from other metal objects, like paper clips, coins, keys, nails, screws or other small metal objects, that can make a connection from one terminal to another. Shorting the battery terminals together may cause burns or a fire.
- Under abusive conditions, liquid may be ejected from the battery; avoid contact. If contact accidentally occurs, flush with water. If liquid contacts eyes, additionally seek medical help. Liquid ejected from the battery may cause irritation or burns.
- Do not use a battery pack or tool that is damaged or modified. Damaged or modified batteries may exhibit unpredictable behavior resulting in fire, explosion or risk of injury.
- Do not expose a battery pack or tool to fire or excessive temperature. Exposure to fire or temperature above 265°F (130°C) may cause explosion.
- Follow all charging instructions and do not charge the battery pack or tool outside the temperature range specified in the instructions. Charging improperly or at temperatures outside the specified range may damage the battery and increase the risk of fire.
- Keep children out of the mowing area and under the watchful care of a responsible adult other than the operator.
- Be alert and turn mower off if a child enters the area.
- Never allow children to operate the machine.
- Use extra care when approaching blind corners, shrubs, trees, or other objects that may block your view of a child.
- Disengage the self-propelled mechanism before starting the mower/blades.
- Never attempt to make a wheel height adjustment while the bail bar is pulled.
- Mow only in daylight or in good artificial light.
- Do not expose to water or operate on wet ground. Do not use in rain.
- Always wear eye protection and appropriate footwear. Dress properly - Wear long pants and boots. Do not wear shorts, sandals, or go barefoot.

### Operation

- ▲DANGER** Keep hands and feet away from the blades. Do not reach under blade guard. Keep clear of the discharge opening at all times.
- Do not direct discharge material toward anyone. Avoid discharging material against a wall or obstruction. Material may ricochet back toward the operator.
- Do not pull the mower backward unless absolutely necessary. If you must back the mower away from a wall or obstruction, first look down and behind you to avoid tripping or pulling the mower over your feet.
- Always be sure of footing; keep a firm hold on the handle and walk, never run.
- Avoid holes, ruts, bumps, rocks, or other hidden hazards. Uneven terrain could overturn the machine, or cause operator to lose their balance or footing.
- Stop the blade when crossing gravel drives, walks, or roads.
- After striking a foreign object, stop the motor, remove the battery packs, thoroughly inspect the mower for any damage, and repair the damage (or take to an authorized service center) before restarting and operating the mower.
- If the mower should start to vibrate abnormally, stop the mower and check immediately for the cause. Vibration is generally a warning of trouble.
- Shut the motor off and wait until the blade comes to a complete stop before removing the grass bag or before unclogging the rear side discharge chute.
- Use extra care while operating machine with a grass bag. A heavy grass bag can affect the stability of the machine.
- Operation on a Slope:
  - Mow across slopes, not up and down. Do not operate on slopes greater than 15°.
  - Exercise extreme caution when changing direction on slopes. Avoid starting and stopping on slopes. Avoid making sudden changes in speed or direction. Make turns slowly and gradually.
  - Use caution while operating near dropoffs.
  - Do not operate machine under any condition where traction, steering, or stability is in question. Tires could slide even if the wheels are stopped.

## SERVICE

- Have your power tool serviced by a qualified repair person using only identical replacement parts. This will ensure that the safety of the power tool is maintained.
- Never service damaged battery packs. Service of battery packs should only be performed by the manufacturer or authorized service providers.

## SPECIFIC SAFETY RULES FOR MOWERS

- ▲DANGER** When using electric lawn mowers, basic safety precautions should always be followed to reduce the risk of serious injury or death. User must read, understand, and follow operator's manual and all labels on the mower carefully. Be thoroughly familiar with the controls and the proper use of the mower before use. This cutting machine is capable of amputating hands and feet and throwing objects. Failure to observe all safety instructions could result in serious injury or death.

### Preparation

- ▲DANGER** Do not operate the mower unless the grass bag, mulch plug, or rear-side discharge are correctly installed and functioning properly. Check frequently for signs of wear or deterioration and replace as needed.
- Keep safety devices (rear door, discharge attachment, bail, etc.) in place and working.
- Inspect area and remove debris before mowing. Remove all stones, sticks, wires, bones, and other foreign objects. Beware of thrown objects. Objects struck by the lawn mower blade can be thrown and cause severe injuries.
- Keep bystanders away. Do not operate within 100' of children, bystanders, or animals. Stop the mower if anyone enters the area.
- Tragic accidents can occur if the operator is not alert to the presence of children. Children are often attracted to the machine and the mowing activity. Never assume that children will remain where you last saw them.

## SYMBOLOLOGY

- Do not leave a running machine unattended. Always park on level ground and release the bail bar.
- Never allow children to operate a power mower.
- Close battery cover during use.
- Do not stare at LED lights.

### Maintenance

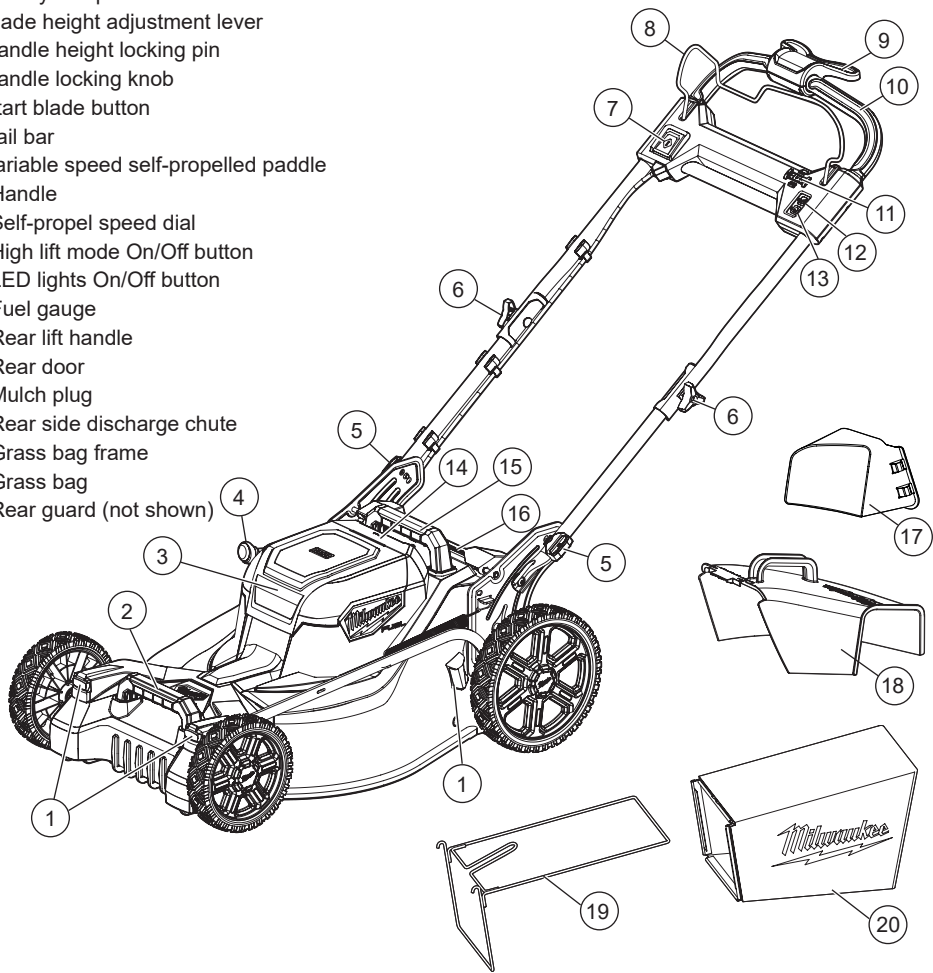
- Check the blade and all assembly and adjustment bolts and fasteners at frequent intervals for proper tightness.
- Inspect grass bag frequently and replace with recommended replacement if there are signs of wear or deterioration.
- Do not wash with a hose; avoid getting water in mower and electrical connections.
- Disconnect battery before maintaining, assembling, adjusting, cleaning, unclogging, or when mower not in use.
- Maintain Lawn Mower With Care – Keep cutting edges sharp and clean for best and safest performance.
- Use identical MILWAUKEE replacement blades only.
- Use caution when servicing blades. Wrap the blade(s) or wear gloves. Replace damaged blades. Do not repair damaged blade or alter blade mounting holes.
- Sharpen a dull blade equally at each end to maintain the balance.
- Clean the blade thoroughly and check its balance by supporting it horizontally on a nail through its center hole. The nail should also be in a horizontal position. If either end of the blade rotates downward, remove some metal from the heavy or lower end until the blade is balanced. It is balanced when neither end drops.
- Replace the blade if it is bent or cracked. An unbalanced blade causes vibration that could damage the mower or cause personal injury.
- Store idle mower indoors. When not in use, mower should be stored in an indoor, dry, and locked-up place – out of reach of children. Remove batteries for storage.
- Use two people whenever it is necessary to lift or carry the mower. Mower is heavy. Lift with legs, not back.
- Always use common sense and be cautious when using mowers. It is not possible to anticipate every situation that could result in a dangerous outcome. Do not use this mower if you do not understand these operating instructions or you feel the work is beyond your capability; contact Milwaukee Tool or a trained professional for additional information or training.
- Maintain labels and nameplates. These carry important information. If unreadable or missing, contact a MILWAUKEE service facility for a free replacement.

**READ AND SAVE ALL INSTRUCTIONS FOR FUTURE USE.**

	Volts
	Direct Current
<b>RPM</b>	Revolutions per Minute
	Keep hands and feet away from the blades.
	Safety alert symbol
	Objects may be thrown or ricochet in all directions.
	Read operator's manual
	Wear eye protection
	Do not operate in rain or wet conditions.
	Do not reach under blade guard.
	Mow across slopes, not up and down. Do not operate on slopes greater than 15°.
	Do not operate within 100' of children, bystanders, or animals.
	Do not stare at the operating light source.
	Risk of electric shock
	Do not wash with a hose; avoid getting water in mower and electrical connections.
	Start Blade button
	High Lift mode ON/OFF button
	LED Lights ON/OFF button
	Higher MAX Speed
	Lower MAX Speed
	Two M18™ Battery Packs Required
	UL Listing for Canada and U.S.

## FUNCTIONAL DESCRIPTION

1. LED lights
2. Front lift handle
3. Battery compartment
4. Blade height adjustment lever
5. Handle height locking pin
6. Handle locking knob
7. Start blade button
8. Bail bar
9. Variable speed self-propelled paddle
10. Handle
11. Self-propel speed dial
12. High lift mode On/Off button
13. LED lights On/Off button
14. Fuel gauge
15. Rear lift handle
16. Rear door
17. Mulch plug
18. Rear side discharge chute
19. Grass bag frame
20. Grass bag
21. Rear guard (not shown)



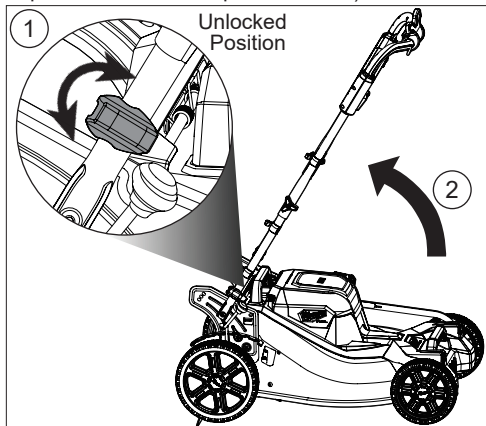
## SPECIFICATIONS

<b>Cat. No.</b> .....	<b>2823-20</b>
<b>Volts</b> .....	<b>36 DC</b>
<b>Battery Type</b> .....	<b>M18™</b>
<b>Charger Type</b> .....	<b>M18™</b>
<b>Deck Size</b> .....	<b>21"</b>
<b>Cutting Height Range</b> .....	<b>1" to 4"</b>
<b>Blade RPM</b> .....	<b>2800 Low / 3300 High</b>
<b>Weight</b> .....	<b>78 lbs.</b>
<b>Self-propel driving speed</b> .....	<b>0 to 4 mph</b>
<b>Recommended Ambient</b>	
<b>Operating Temperature</b> .....	<b>0°F to 125°F</b>
<b>MILWAUKEE Mower Blades</b>	
<b>21" Mower Blade</b> .....	<b>49-16-2734</b>
<b>21" High Lift Mower Blade</b> .....	<b>49-16-2735</b>

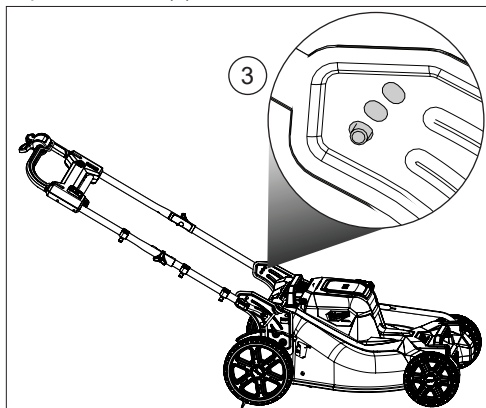
## ASSEMBLY

### Unfolding/Folding the Handle

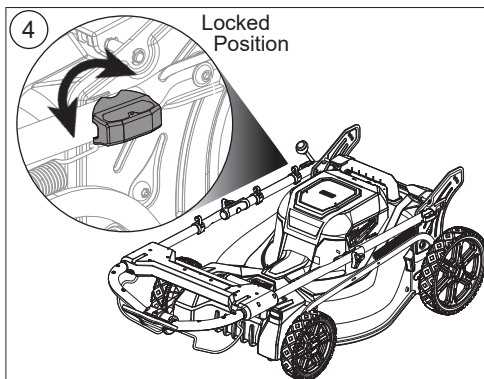
1. To **unfold** the handle, turn both handle height locking pins (1) to the unlock position (freeing the pins from the folded position holes).



2. Lift the handle towards an upright position (2).
3. Align the handle next to one of the three upright position holes (3).



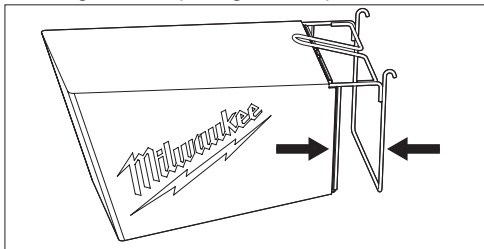
4. Turn both handle height locking pins to the lock position (engaging the pins).



5. To **fold** the handle, complete steps in reverse order. Remove battery packs before storing.

### Grass Bag

1. Slide grass bag over frame. Bag fits tightly against the frame; start with one side and work around, shaping the bag as necessary.
2. Hook all four sides onto the frame. Hooks go through frame opening and wrap outward.

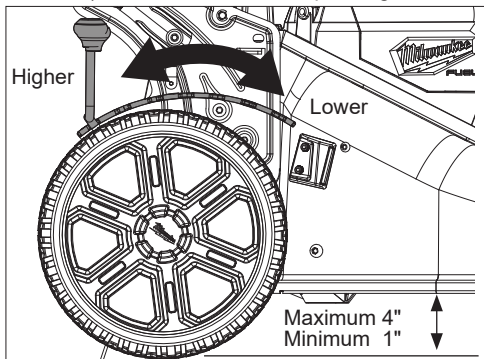


### Setting Blade Height

Before each use, set the cutting position to the height best suited for the lawn.

#### To adjust the blade height:

1. Remove battery packs.
2. To raise or lower the blade height, move the height adjustment lever to the desired height (increments of 1/2") and set into the corresponding notch.

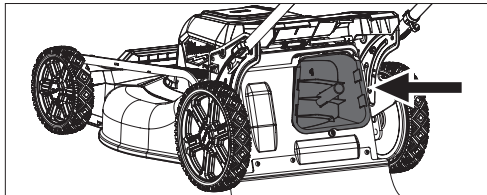


## Installing Discharge Attachments

### Mulch Plug

Always use the mulch plug unless another discharge attachment is being used (grass bag or rear side discharge chute).

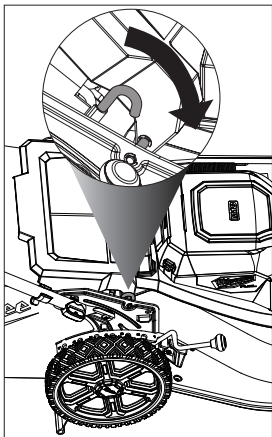
1. Remove battery packs.
2. Lift rear door.
3. Slide the mulch plug into the body of the mower.
4. Lower the rear door; the rear door will fully close.
5. To remove, lift rear door and pull plug away from the mower.



### Grass Bag

When using the grass bag, remove the mulch plug. Inspect grass bag frequently and replace with recommended replacement if there are signs of wear or deterioration.

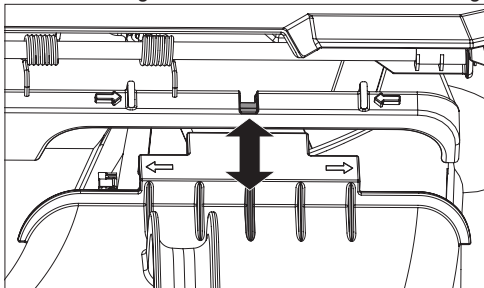
1. Remove battery packs.
2. Lift rear door.
3. Place the grass bag onto the mower so the bag's metal hooks rest on the metal bar of the mower housing.
4. Lower the grass bag so bag covers the rear discharge opening.
5. Lower the rear door; the rear door will rest on the grass bag.
6. To remove, lift rear door and pull grass bag up and away from the mower.



## Rear Side Discharge Chute

When using the discharge chute, remove the mulch plug. Inspect discharge chute frequently and replace with recommended replacement if there are signs of wear or deterioration.

1. Remove battery packs.
2. Lift rear door.
3. Align the center notch of the discharge chute to the one on the mower housing.
4. Slide the discharge chute into the body of the mower until the white embossed arrows of the discharge chute are aligned with those on the mower housing.



5. Gently push down on the discharge chute to ensure it is fully seated.
6. Lower the rear door; the rear door will rest on the discharge chute.
7. To remove, lift rear door and pull discharge chute away from the mower.

## Removing/Inserting the Batteries

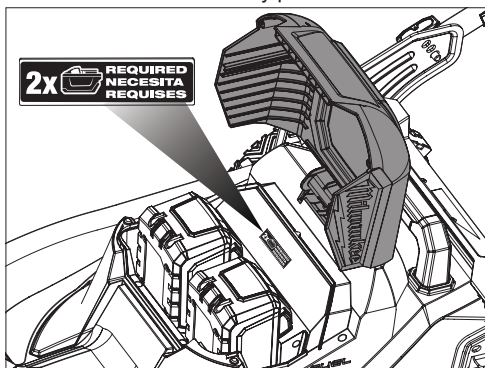
To **remove** the batteries, push in the release buttons and pull the battery packs away from the mower.

**⚠ WARNING** Always remove the battery packs any time the mower is not in use.

To **insert** the batteries, slide the packs into the body of the mower. Make sure they latch securely into place.

**NOTE:** The mower requires two charged battery packs to operate.

- The mower will not work with only one battery pack.
- If one battery pack is completely discharged, the mower will not function, even if the second battery pack is charged.
- For best results, use with (2) MILWAUKEE HIGH OUTPUT™ HD12.0 battery packs.



## Fuel Gauge

Use the Fuel Gauge to determine the lowest battery pack's remaining run time. When less than 10% of charge is left, 1 light on the fuel gauge will flash 4 times. When the battery reaches 0% charge, 1 light on the fuel gauge will flash 8 times. Charge the battery packs.

If the Fuel Gauge doesn't appear to be working, place the battery pack on the charger and charge as needed.

Immediately after using the battery pack, the Fuel Gauge may display a lower charge than it will if checked a few minutes later. The battery cells "re-cover" some of their charge after resting.



Fuel Gauge Lights	Diagnosis	Solution
Lights 1 - 4 Solid	Remaining run time	Continue working
1 Light, flashing slowly	Less than 10% run time left	Prepare to charge pack
1 Light, flashing quickly	End of discharge	Charge pack

## OPERATION

**WARNING** To reduce the risk of injury, always wear proper eye protection marked to comply with ANSI Z87.1.

Wear appropriate personal protective equipment including safety glasses and protective footwear.

### Before Mowing

**WARNING** Read and follow all safety warnings, instructions, illustrations, and specifications to avoid serious injury and death.

- Check the area and clear it of objects that can be thrown by the mower
- Avoid discharge of material toward roads, sidewalks, bystanders and the like. Also, avoid discharging material against a wall or obstruction, which may cause the material to ricochet back toward the operator.
- Plan the mowing pattern to avoid mowing up or down slopes. Do not mow slopes greater than 15°.
- Ensure grass is dry and there is enough light for good visibility.
- Inspect rear door, discharge attachment, bail, etc., for proper operation, location, and damage.
- Set the height adjustment.
- Ensure children and bystanders are at least 100' away.
- Ensure the blade stops when bail bar is released.
- Ensure the self-propel stops when the self-propel paddle is released.
- Set the speed dial at a speed that you can comfortably follow when walking behind the mower. Start at a low speed. Be prepared for sudden changes in speed when adjusting the speed dial. You may lose control of the mower if the speed dial is set at a speed that is too fast for your walking pace.

### High Lift Mode

High Lift Mode increases blade speed for increased air flow and lift, which results in a better bagging or mulching job. Press the High Lift Mode button to toggle between ON/OFF. The LED next to the button will light when in High Lift mode.



### LED Lights

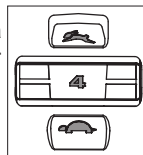
Ensure enough light for good visibility; lights may not provide sufficient visibility in all conditions. Press the LED Lights button to toggle between ON/OFF.



### Setting Self-Propel Speed Dial

When using the self-propel feature, ensure that the speed dial is set at a speed that you can comfortably follow when walking behind the mower.

1. Start at a low speed. Be prepared for sudden changes in speed when adjusting the speed dial. **WARNING!** You may lose control of the mower if the speed dial is set at a speed that is too fast for your walking pace.
2. Release the self-propel paddle and bail bar if you cannot keep up with the mower.
3. Rotate the dial to set the maximum speed of the self-propel feature, from "1" for minimum speed up to "5" for the maximum speed.





## Start Blade Button

1. To **start** the blade, pull and hold the bail bar against the handle
2. Press the Start Blade button. The blade will start and the button will lock inward.
3. To **stop** the blade, release the bail bar. The blade will stop and the button will unlock.
4. If the blade will not start, check battery charge and that the mower is in proper operating position.



## Slope Operation

- WARNING** Slopes are a major factor related to slip and fall accidents that can result in severe injury.
- Operation on slopes requires extra caution. If you feel uneasy on a slope, do not mow it.
  - Mow across slopes, not up and down. Do not operate on slopes greater than 15°.
  - Always be sure of your footing. A slip and fall can cause serious personal injury. If you feel you are losing your balance, release the bail lever immediately.
  - Exercise extreme caution when changing direction on slopes. Avoid starting and stopping on slopes. Avoid making sudden changes in speed or direction. Make turns slowly and gradually.
  - Do not mow near drop-offs, ditches, or embankments.
  - Do not operate mower under any condition where traction, steering, or stability is in question. Tires could slide even if the wheels are stopped.
  - Use extra care while operating mower with a grass bag. A heavy grass bag can affect the stability of the mower.
  - Avoid holes, ruts, rocks, hidden objects, or bumps which can cause you to slip or trip. Tall grass can hide obstacles. Remove all objects such as rocks, tree limbs, etc., which could be tripped over or thrown by the blade.



## Mowing

**WARNING** Keep hands and feet away from the blades. Do not reach under blade guard. Keep clear of the discharge opening at all times.



• Do not direct discharge material toward anyone. Avoid discharging material against a wall or obstruction. Material may ricochet back toward the operator.

• Look down and behind before and while moving backwards. Do not mow in reverse unless absolutely necessary.

• Always be sure of footing; keep a firm hold on the handle and walk, never run.

• Avoid holes, ruts, bumps, rocks, or other hidden hazards. Uneven terrain could overturn the mower, or cause operator to lose their balance or footing.

• Stop the blade when crossing gravel drives, walks, or roads or if someone enters the area.

• After striking a foreign object, stop the motor, remove the battery packs, thoroughly inspect the mower for any damage, and repair the damage before restarting and operating the mower.

• If the mower should start to vibrate abnormally, stop the mower and check immediately for the cause. Vibration is generally a warning of trouble.

• Shut the motor off and wait until the blade comes to a complete stop before removing the grass bag or before unclogging the rear side discharge chute.

1. Insert battery packs. The fuel gauge LEDs will light and display the batteries' remaining charge.

2. Set the maximum self-propel speed (1-5).

3. Set the blade speed (Low/High).

4. Turn the LED lights on, if needed.

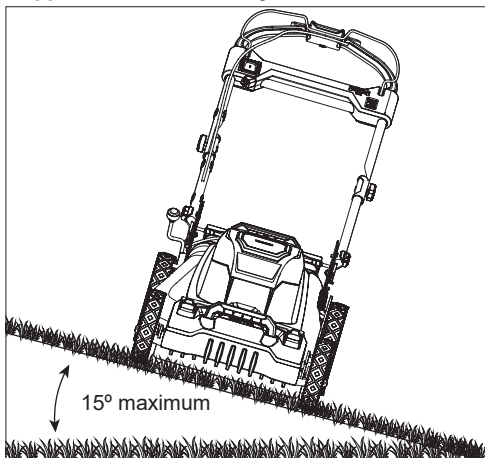
5. To **start** the blade, pull and hold the bail bar against the handle and press the Start Blade button.

6. To **engage** the self-propel feature, press down on the self-propel paddle. Press less for a slower speed, or more for a faster speed, up to the maximum speed set by the self-propel speed dial. To **disengage** the self-propel feature, release the paddle. **NOTE:** The self-propel feature is available for maneuvering whenever the mower is powered; the blade does not need to be running.

7. If necessary, adjust blade speed or maximum self-propel speed. When adjusting maximum self-propel speed (1-5), be prepared for a sudden change in speed.

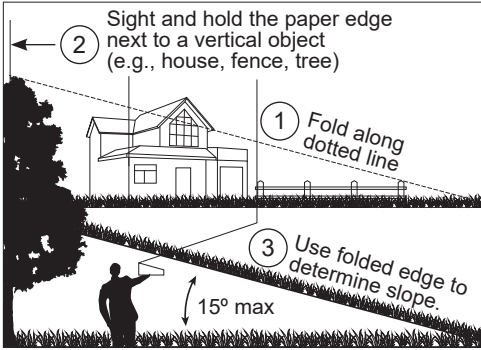
8. To **stop** the blade, release the bail bar.

9. When finished mowing, remove batteries for storage.



## Determining Slope

1. Use the full size Determining Slope graphic at the back of the manual.
2. Fold along the dotted line (represents a 15° slope).
3. Sight and hold the paper edge next to a vertical object (such as a tree, building, or fence post).
4. Use the folded edge to determine if the lawn slope is greater or less than 15°. Mow across slopes, not up and down. Do not operate on slopes greater than 15°.



## Emptying the Grass bag

1. Remove battery packs.
2. Lift rear door.
3. Lift the grass bag by its handle and pull up and away from mower.
4. Empty grass clippings and reinstall the grass bag.

## MAINTENANCE

**WARNING** To reduce the risk of injury, always unplug the charger and remove the battery packs from the charger or mower before performing any maintenance. Never disassemble the mower, battery pack or charger. Contact a MILWAUKEE service facility for ALL repairs.

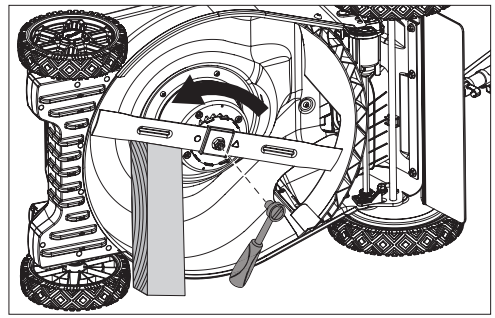
### Transportation

**WARNING** Remove the battery packs before transporting the mower. Always clear the area of obstructions before transporting.

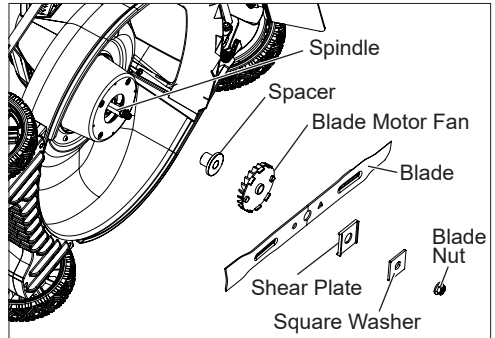
- Use full width ramps for loading and unloading a mower for transport. If full width ramp is not available, use two people to lift the mower.
- Do not transport mower in the upright position.
- Keep tie-downs away from the controls and adjustment levers.
- Remove grass bag before transport.

### Removing/Installing the Cutting Blade

1. Remove battery packs.
2. Turn the mower on its side.
3. Wedge a block of wood between the blade and the mower deck to prevent the blade from turning.



4. Remove the blade nut by turning it counterclockwise (as viewed from bottom of mower) using a 18 mm wrench or socket.
5. Remove the blade nut, washer, shear plate, blade, blade motor fan, and spacer.
6. Use only mild soap and a damp cloth to clean the components to remove grass clippings, leaves, dirt, and any other accumulated debris.



7. Inspect the blade. Discard the blade if it is bent, cracked, or damaged. Sharpen the blade according to "Sharpening the Cutting Blade". **WARNING!** An unbalanced blade can cause vibration that could damage the mower or cause personal injury.
8. Install a new or sharpened blade. The circle and triangle holes of the blade must align onto the circle and triangle posts of the blade motor fan. The shear plate edges must wrap around the blade.
9. Tighten the blade nut to 313-347 in.lbs, using a torque wrench.

### Sharpening the Cutting Blade

**WARNING** Keep cutting edges sharp and clean for best and safest performance. Use a recommended MILWAUKEE replacement blade only. Use caution when servicing blade. Wrap the blade or wear gloves. Replace damaged blade. Do not repair damaged blade or alter blade mounting holes.

1. Clean the blade.
2. Sharpen a dull blade equally at each end to maintain the balance. Use a file to remove minimal shavings to achieve a sharp blade.
3. Check the blade's balance by supporting it on a nail through its center hole. Hold the nail horizontally. If either end of the blade rotates downward, remove some metal from the heavy or lower end. Repeat until the blade is balanced evenly on the nail. It is balanced when neither end drops.

## Maintaining Mower

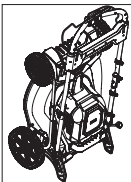
Keep your mower, battery packs and charger in good repair by adopting a regular maintenance program. Inspect your mower for issues such as undue noise, misalignment or binding of moving parts, breakage of parts, or any other condition that may affect the mower operation. Return the mower, battery pack, and charger to a MILWAUKEE service facility for repair.

If the mower does not start or operate at full power with a fully charged battery pack, clean the contacts on the battery pack. If the mower still does not work properly, return the mower, charger and battery pack, to a MILWAUKEE service facility for repairs.

**⚠WARNING** To reduce the risk of personal injury and damage, never immerse your mower, battery pack or charger in liquid or allow a liquid to flow inside them.

## Storage

When not in use, mower should be stored in an indoor dry and locked-up place – out of reach of children. Remove batteries for storage. When mower stored in upright position, ensure both handle adjustment knobs are in the locked position with pins engaged.



## Cleaning

**NOTICE** Do not wash with a hose; avoid getting water in mower and electrical connections.



Clean dust and debris from any vents. Keep mower clean, dry and free of oil or grease. Use only mild soap and a damp cloth to clean, since certain cleaning agents and solvents are harmful to plastics and other insulated parts. Some of these include gasoline, turpentine, lacquer thinner, paint thinner, chlorinated cleaning solvents, ammonia and household detergents containing ammonia. Do not wash with a hose; avoid getting water in mower and electrical connections. Never use flammable or combustible solvents around mowers.

## Repairs

For repairs, return the mower, battery pack and charger to the nearest authorized service center.

## ACCESSORIES

**⚠WARNING** Use only recommended accessories. Others may be hazardous.

For a complete listing of accessories, go online to [www.milwaukeetool.com](http://www.milwaukeetool.com) or contact a distributor.

## SERVICE - UNITED STATES

**1-800-SAWDUST (1.800.729.3878)**

Monday-Friday, 7:00 AM - 6:30 PM CST  
or visit [www.milwaukeetool.com](http://www.milwaukeetool.com)

Contact Corporate After Sales Service Technical Support with technical, service/repair, or warranty questions.

Email: [metproductsupport@milwaukeetool.com](mailto:metproductsupport@milwaukeetool.com)

Become a Heavy Duty Club Member at [www.milwaukeetool.com](http://www.milwaukeetool.com) to receive important notifications regarding your tool purchases.

## SERVICE - CANADA

**Milwaukee Tool (Canada) Ltd**

**1.877.948.2360**

Monday-Friday, 7:00 AM - 4:30 PM CST  
or visit [www.milwaukeetool.ca](http://www.milwaukeetool.ca)

## LIMITED WARRANTY USA & CANADA

Every MILWAUKEE Outdoor Power Equipment Product\* (see exceptions below) is warranted to the original purchaser from an authorized MILWAUKEE distributor only to be free from defects in material and workmanship. Subject to certain exceptions, MILWAUKEE will repair or replace any part on an outdoor power equipment product which, after examination, is determined by MILWAUKEE to be defective in material or workmanship for a period of three (3) years\*\* after the date of purchase unless otherwise noted. Return of the outdoor power equipment to a MILWAUKEE factory Service Center location or participating MILWAUKEE Authorized Service Station, freight prepaid and insured, is required. A copy of the proof of purchase should be included with the return product. This warranty does not apply to damage that MILWAUKEE determines to be from repairs made or attempted by anyone other than MILWAUKEE authorized personnel, misuse, alterations, abuse, normal wear and tear, lack of maintenance, or accidents. Normal Wear: Many outdoor power equipment products need periodic parts replacement and service to achieve best performance. This warranty does not cover repair when normal use has exhausted the life of a part including, but not limited to mower blades, trimmer head, trimmer head spool, cutting lines, blades, chains, blower tubes, brushes, o-rings, and seals.

\*This warranty does not cover Cordless Battery Packs or Reconditioned Product. There are separate and distinct warranties available for these products.

\*\*The warranty period for SWITCH TANK™ tank assemblies, hoses, handles, and wands are one (1) year from the date of purchase.

MILWAUKEE does not cover freight or labor charges associated with the inspection and testing of outdoor power equipment products which are found by MILWAUKEE not to be a valid warranty claim. A valid warranty claim must be substantiated by the discovery of defective material or workmanship by MILWAUKEE.

ACCEPTANCE OF THE EXCLUSIVE REPAIR AND REPLACEMENT REMEDIES DESCRIBED HEREIN IS A CONDITION OF THE CONTRACT FOR THE PURCHASE OF EVERY MILWAUKEE PRODUCT. IF YOU DO NOT AGREE TO THIS CONDITION, YOU SHOULD NOT PURCHASE THE PRODUCT. IN NO EVENT SHALL MILWAUKEE BE LIABLE FOR ANY INCIDENTAL, SPECIAL, CONSEQUENTIAL, OR PUNITIVE DAMAGES, OR FOR ANY COSTS, ATTORNEY FEES, EXPENSES, LOSSES OR DELAYS ALLEGED TO BE AS A CONSEQUENCE OF ANY DAMAGE TO, FAILURE OF, OR DEFECT IN ANY PRODUCT INCLUDING, BUT NOT LIMITED TO, ANY CLAIMS FOR LOSS OF PROFITS. SOME STATES DO NOT ALLOW THE EXCLUSION OR LIMITATION OF INCIDENTAL OR CONSEQUENTIAL DAMAGES, SO THE ABOVE LIMITATION OR EXCLUSION MAY NOT APPLY TO YOU. THIS WARRANTY IS EXCLUSIVE AND IN LIEU OF ALL OTHER EXPRESS WARRANTIES, WRITTEN OR ORAL, TO THE EXTENT PERMITTED BY LAW, MILWAUKEE DISCLAIMS ANY IMPLIED WARRANTIES, INCLUDING WITHOUT LIMITATION ANY IMPLIED WARRANTY OF MERCHANTABILITY OR FITNESS FOR A PARTICULAR USE OR PURPOSE; TO THE EXTENT SUCH DISCLAIMER IS NOT PERMITTED BY LAW, SUCH IMPLIED WARRANTIES ARE LIMITED TO THE DURATION OF THE APPLICABLE EXPRESS WARRANTY AS DESCRIBED ABOVE. SOME STATES DO NOT ALLOW LIMITATIONS ON HOW LONG AN IMPLIED WARRANTY LASTS, SO THE ABOVE LIMITATION MAY NOT APPLY TO YOU. THIS WARRANTY GIVES YOU SPECIFIC LEGAL RIGHTS, AND YOU MAY ALSO HAVE OTHER RIGHTS WHICH VARY FROM STATE TO STATE.

This warranty applies to product sold in the U.S.A. and Canada only. Please consult the 'Service Center Search' in the Parts & Service section of MILWAUKEE's website [www.milwaukeetool.com](http://www.milwaukeetool.com) or call 1.800.SAWDUST (1.800.729.3878) to locate your nearest service facility for warranty and non-warranty service on a MILWAUKEE electric power tool.

## Utilisation sur des pentes

### AVERTISSEMENT

Les pentes sont un facteur décisif lié aux glissements et aux chutes accidentelles qui peuvent résulter en des blessures graves. Il faudra redoubler la prudence lors de l'utilisation de la tondeuse sur des pentes. Si vous ne vous sentez pas à l'aise sur une pente, ne pas essayer de la tondre.

Tondre les pentes de manière transversale, jamais en vertical. Ne pas utiliser sur des pentes de plus de 15°.

### Funcionamiento en pendientes

**ADVERTENCIA** Las pendientes son un factor importante a considerar en relación con accidentes de caídas y resbalones que pueden ocasionar lesiones graves. El funcionamiento en pendientes exige que se tomen precauciones adicionales. Si no se siente seguro al usar la podadora en una pendiente, no la pade.

Pode superficies inclinadas en movimientos transversales, nunca verticales. No utilice en pendientes de más de 15°.



## DÉFINITION DE L'ANGLE D'UNE PENTE

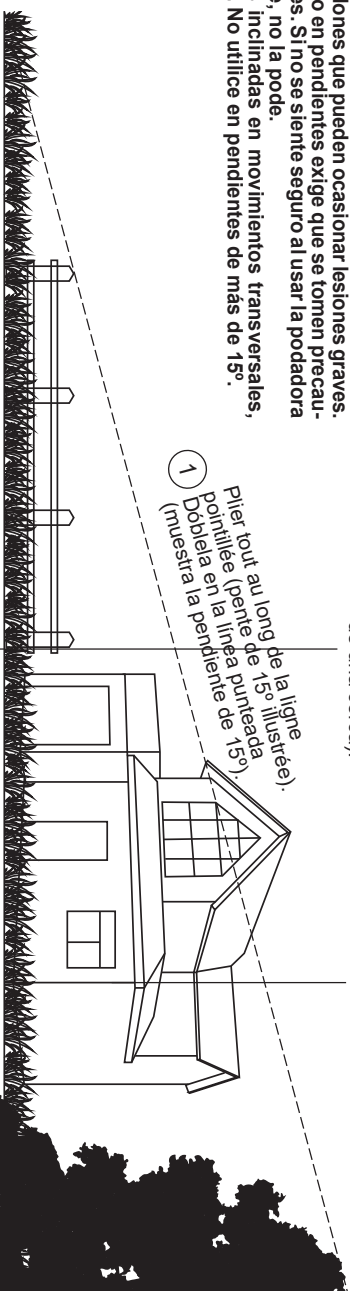
Veuillez consulter le titre « Définition d'une pente » dans la section « Fonctionnement » dans ce manuel.

### DEFINICIÓN DEL ÁNGULO DE PENDIENTE

Consulte el título "Definición de pendiente" en la sección "Funcionamiento" de este manual.

2 Regarder et maintenir le bord de la feuille près d'un objet en vertical (tel qu'un arbre, un bâtiment ou un piquet de clôture). Observe y mantenga el borde del papel cerca de un objeto en vertical (como es el caso de un árbol, un edificio o un poste de una cerca).

1 Plier tout au long de la ligne pointillée (pente de 15°) (muebra la pendiente de 15°)

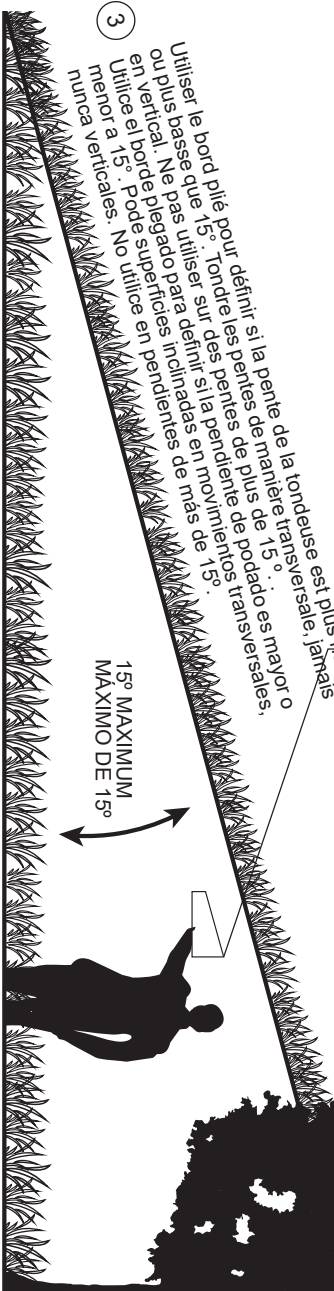


Utiliser le bord pile pour définir si la pente de la tondeuse est plus haute ou plus basse que 15°. Tondre les pentes de plus de 15° en mouvement transversal. Ne pas utiliser sur des pentes de plus de 15° en mouvement vertical. Ne pas utiliser sur des pentes de plus de 15° en mouvement vertical. Ne pas utiliser sur des pentes de plus de 15° en mouvement vertical. Ne pas utiliser sur des pentes de plus de 15° en mouvement vertical.

3

Utiliser le bord pile pour définir si la pente de la tondeuse est plus haute ou plus basse que 15°. Tondre les pentes de plus de 15° en mouvement transversal. Ne pas utiliser sur des pentes de plus de 15° en mouvement vertical. Ne pas utiliser sur des pentes de plus de 15° en mouvement vertical. Ne pas utiliser sur des pentes de plus de 15° en mouvement vertical. Ne pas utiliser sur des pentes de plus de 15° en mouvement vertical.

15° MAXIMUM  
MAXIMO DE 15°



### Slope Operation

**WARNING** Slopes are a major factor related to slip and fall accidents that can result in severe injury.

Operation on slopes requires extra caution. If you feel uneasy on a slope, do not mow it. Mow across slopes, not up and down. Do not operate on slopes greater than 15°.

### DETERMINING SLOPE ANGLE

Refer to "Determining Slope" in the Operation section of this manual.

Sight and hold the paper edge (2) next to a vertical object (such as a tree, building, or fence post).



1 Fold along dotted line (15° slope shown)

1

The folded edge to determine if the lawn slope is greater or less than 15°. Mow across slopes, not up and down.

3

Use the folded edge to determine if the lawn slope is greater or less than 15°. Mow across slopes, not up and down.

15° MAXIMUM

**MILWAUKEE TOOL**  
13135 West Lisbon Road  
Brookfield, WI 53005 USA