



# Husqvarna®



LC 151, LC 151S

EN Operator's manual  
FR-CA Manuel d'utilisation

2-19  
20-38

---

# Contents

---

Introduction.....	2	Maintenance.....	11
Safety.....	3	Engine troubleshooting.....	16
Assembly.....	6	Transportation, storage and disposal.....	17
Operation.....	8	Technical data.....	18

---

## Introduction

---

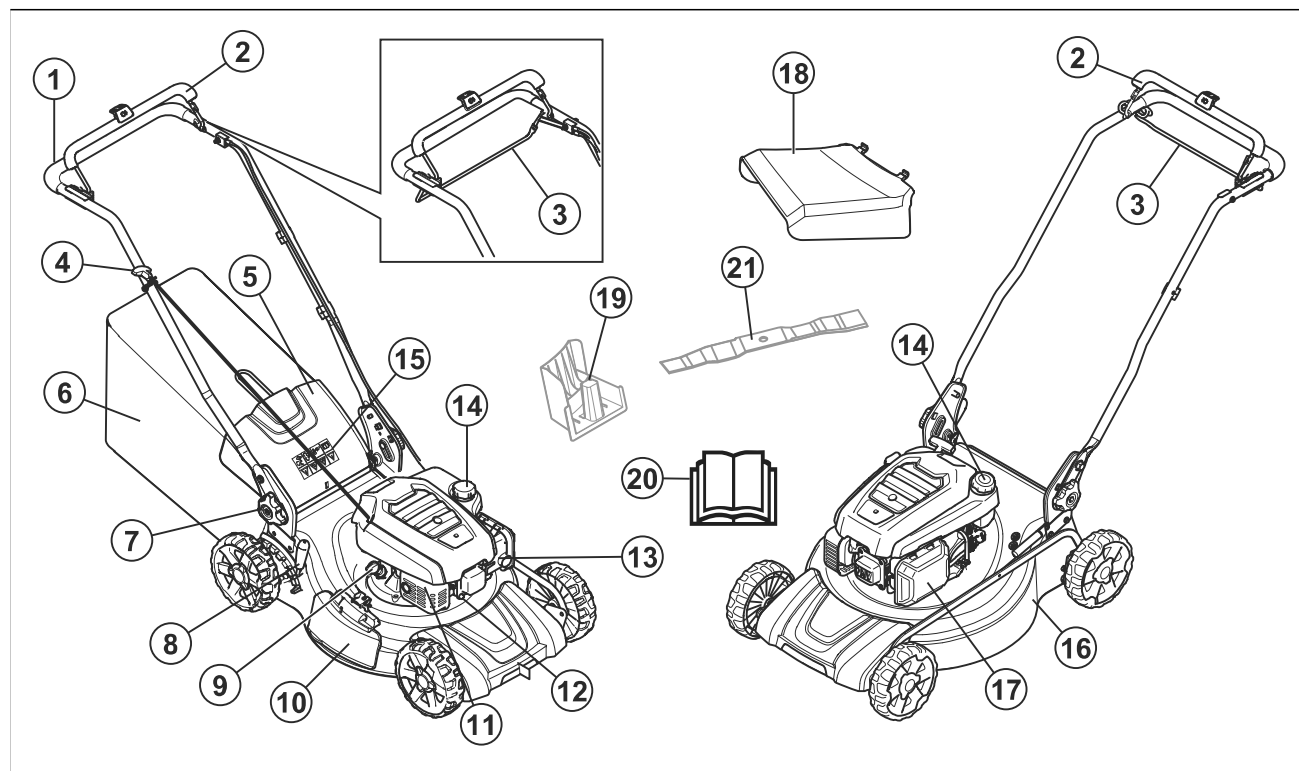
### Product description

The product is a pedestrian-controlled rotary lawn mower. Attach the grass catcher to collect the grass. Attach the side discharge deflector for side discharge of the grass. Attach a mulch kit to cut the grass into fertilizer.

### Intended use

Use the product to cut grass. Do not use the product for other tasks.

### Product overview



- |                          |                             |
|--------------------------|-----------------------------|
| 1. Handlebar             | 13. Carburetor              |
| 2. Engine brake handle   | 14. Fuel tank cap           |
| 3. Drive bail (LC 151S)  | 15. Symbols                 |
| 4. Starter rope handle   | 16. Cutting cover           |
| 5. Rear cover            | 17. Air filter              |
| 6. Grass catcher         | 18. Side deflector          |
| 7. Handle height knobs   | 19. Mulch plug              |
| 8. Cutting height lever  | 20. Operator's manual       |
| 9. Oil cap and dipstick  | 21. Mulch blade (accessory) |
| 10. Side discharge cover |                             |
| 11. Muffler              |                             |
| 12. Spark plug           |                             |

## Symbols on the product



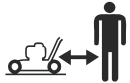
**WARNING!** Be careful and use the product correctly. This product can cause serious injury or death to the operator or others.



Please read the operator's manual carefully and make sure that you understand the instructions before use.



Look out for thrown objects and ricochets.



Keep persons and animals at a safe distance from the work area.



Warning: Keep hands and feet away from the rotating blade.



Warning: Keep hands and feet away from rotating parts.



Stop the engine and remove the ignition cable before repairs or maintenance.



Risk of fire.



Do not breathe in exhaust fumes. The exhaust fumes from the engine contain carbon monoxide, an odourless, poisonous and very dangerous gas. Do not start the engine indoors or in closed spaces.



Hot surface.



Fill the engine with oil before you start the product.

---

**Note:** Other symbols/decals on the product refer to certification requirements for some commercial areas.

---

## Product damage

We are not responsible for damages to our product if:

- the product is incorrectly repaired.
- the product is repaired with parts that are not from the manufacturer or not approved by the manufacturer.
- the product has an accessory that is not from the manufacturer or not approved by the manufacturer.
- the product is not repaired at an approved service center or by an approved authority.

## Canada emissions



**CAUTION:** The engine installed on this product is not intended for operation at high altitudes.

---

---

## Safety

---

### Safety definitions

Warnings, cautions, and notes are used to point out particularly important parts of the manual.



**WARNING:** Used if there is a risk of injury or death for the operator or bystanders if the instructions in the manual are not obeyed.



**CAUTION:** Used if there is a risk of damage to the product, other materials or the adjacent area if the instructions in the manual are not obeyed.

---

**Note:** Used to give more information that is necessary in a given situation.

---

### General safety instructions



**WARNING:** Read the warning instructions that follow before you use the product.

- This product is dangerous if used incorrectly or if you are not careful. Injury or death can occur if you do not obey the safety instructions.
- This product produces an electromagnetic field during operation. This field may under some circumstances interfere with active or passive medical implants. To reduce the risk of serious or

fatal injury we recommend persons with medical implants to consult their physician and the medical implant manufacturer before operating this product.

- Always be careful and use your common sense. If you are not sure how to operate the product in a special situation, stop and speak to your Husqvarna dealer before you continue.
- Keep in mind that the operator will be held responsible for accidents that involve other persons or their property.
- Keep the product clean. Make sure that you can clearly read signs and decals.
- Do not let a person use the product unless you make sure that they read and understand the contents of the operator's manual.
- Do not let a child operate the product.
- Keep children away from the work area. A responsible adult must be there at all times.
- Do not let a person, without knowledge of the instructions, operate the product.
- Always monitor a person, with decreased physical capacity or mental capacity, that uses the product. A responsible adult must be there at all times.
- Do not use the product if you are tired, ill, or under the influence of alcohol, drugs or medicine. This has a negative effect on your vision, alertness, coordination and judgment.
- Do not use a product that is damaged or does not operate correctly.
- Do not change this product or use it if it is possible that it has been changed by others.
- Do not change the adjustment for the engine speed control.

### Work area safety



**WARNING:** Read the warning instructions that follow before you use the product.

- Remove objects such as branches, twigs and stones from the work area before you use the product.
- Objects that hit against the cutting equipment can eject and cause damage to persons and objects. Keep bystanders and animals at a safe distance from the product.
- Never use the product in bad weather such as fog, rain, strong winds, intense cold and risk of lightning. To use the product in bad weather or in moist or wet locations is tiring. Bad weather can cause dangerous conditions, such as slippery surfaces.
- Look out for persons, objects and situations that can prevent safe operation of the product.
- Look out for obstacles, such as roots, stones, twigs, pits and ditches. Long grass can hide obstacles.
- To cut grass on slopes can be dangerous. Do not use the product on ground that slopes more than 15°.

- Operate the product across the face of slopes. Do not move up and down.
- Be careful when you go near hidden corners and objects that prevent a clear view.

### Work safety



**WARNING:** Read the warning instructions that follow before you use the product.

- Use this product to cut grass lawns only. It is not permitted to use it for other tasks.
- Use personal protective equipment. Refer to *Personal protective equipment on page 5*.
- Make sure that you know how to stop the engine quickly in an emergency.
- Never start the engine in a closed space or near flammable material. The exhaust fumes from the engine are hot and can contain sparks which can start a fire.
- Do not operate the product unless the blade and all covers are attached correctly. An incorrectly attached blade can come loose and cause personal injury.
- Make sure that the blade does not hit objects such as stones and roots. This can do damage to the blade and bend the engine shaft. A bent axle causes heavy vibration and a very high risk that the blade becomes loose.
- If the blade hits an object or if vibrations occur, stop the product immediately. Disconnect the ignition cable from the spark plug. Examine the product for damages. Repair damages or let an authorised service agent do the repair.
- Never attach the engine brake handle permanently to the handle when the engine is started.
- Put the product on a stable, flat surface and start it. Make sure that the blade does not hit the ground or other objects.
- Always stay behind the product when you operate it.
- Let all the wheels stay on the ground and keep 2 hands on the handle when you operate the product. Keep your hands and feet away from the rotating blades.
- Do not tilt the product when the engine is started.
- Be careful when you pull the product rearward.
- Never lift up the product when the engine is started. If you must lift the product, first stop the engine and disconnect the ignition cable from the spark plug.
- Do not walk rearward when you operate the product.
- Stop the engine when you move across areas without grass, for example paths made of gravel, stone and asphalt.
- Do not run with the product when the engine is started. Always walk when you operate the product.

- Stop the engine before you change the cutting height. Never make adjustments with the engine started.
- Never let the product stay out of view with the engine started. Stop the engine and make sure that the cutting equipment does not rotate.

## Safety instructions for operation

### Personal protective equipment



**WARNING:** Read the warning instructions that follow before you use the product.

- Personal protective equipment cannot fully prevent injury but it decreases the degree of injury if an accident does occur. Let your dealer help you select the right equipment.
- Use hearing protection if the noise level is higher than 85 dB.
- Use heavy-duty slip-resistant boots or shoes. Do not use open shoes or go with bare feet.
- Use heavy, long pants.
- Use protective gloves when necessary, for example when you attach, examine or clean the cutting equipment.

### Safety devices on the product



**WARNING:** Read the warning instructions that follow before you use the product.

- Do not use a product with safety devices that are damaged or do not operate correctly.
- Do a check of the safety devices regularly. If the safety devices are damaged or do not operate correctly, speak to your Husqvarna servicing dealer.
- Do not make modifications to safety devices.

#### To do a check of the cutting cover

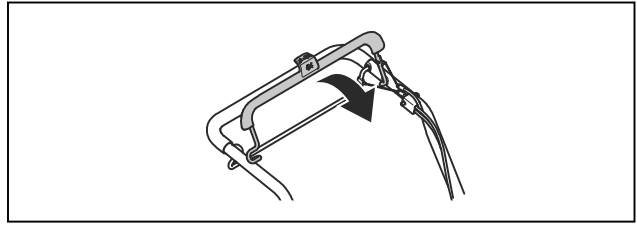
The cutting cover decreases vibrations in the product and decreases the risk of injury from the blade.

- Examine the cutting cover to make sure that there are no damages such as cracks.

#### To do a check of the engine brake handle

The engine brake handle stops the engine. When the engine brake handle is released, the engine stops.

- Start the engine and then release the engine brake handle. If the engine does not stop in 3 seconds, let an approved Husqvarna service agent adjust the engine brake.



#### To do a check of the rear cover

The rear deflector decreases the risk that objects eject in the direction of the operator.

- Make sure that the rear cover is not damaged.
- Make sure that the springs that close the rear cover are not damaged.
- Replace damaged springs and damaged parts.
- Make sure that the rear cover can move smoothly on the hinges.

#### Muffler

The muffler keeps the noise levels to a minimum and sends the exhaust fumes away from the operator.

Do not use the product if the muffler is missing or damaged. A damaged muffler increases the noise level and the risk of fire.



**WARNING:** The muffler becomes very hot during and after use and when the engine operates at idle speed. Be careful near flammable materials and/or fumes to prevent fire.

#### To do a check of the muffler

- Examine the muffler regularly to make sure that it is attached correctly and not damaged.

### Fuel safety



**WARNING:** Read the warning instructions that follow before you use the product.

- Do not start the product if there is fuel or engine oil on the product. Remove the unwanted fuel/oil and let the product dry.
- If you spill fuel on your clothing, change clothing immediately.
- Do not get fuel on your body, it can cause injury. If you get fuel on your body, use soap and water to remove the fuel.
- Do not start the product if the engine has a leak. Examine the engine for leaks regularly.
- Be careful with fuel. Fuel is flammable and the fumes are explosive and can cause injuries or death.

- Do not breathe in the fuel fumes, it can cause injury. Make sure that there is a sufficient airflow.
- Do not smoke near the fuel or the engine.
- Do not put warm objects near the fuel or the engine.
- Do not add the fuel when the engine is on.
- Make sure that the engine is cool before you refuel.
- Before you refuel, open the fuel tank cap slowly and release the pressure carefully.
- Do not add fuel to the engine in an indoor area. Not sufficient airflow can cause injury or death because of asphyxiation or carbon monoxide.
- Tighten the fuel tank cap fully. If the fuel tank cap is not tightened, there is a risk of fire.
- Move the product a minimum of 3 m / 10 ft from the position where you filled the tank before a start.
- Do not fill the fuel tank fully. Heat causes the fuel to expand. Keep a space at the top of the fuel tank.
- Never store the product with fuel in the fuel tank inside a building where ignition sources are present such as hot water heaters, space heaters or clothes dryers. Allow the engine to cool before storing in any enclosure.
- The exhaust fumes from the engine contain carbon monoxide, an odourless, poisonous and very dangerous gas. Do not start the engine indoors or in closed spaces.
- Before you do the maintenance on the product, stop the engine and remove the ignition cable from the spark plug.
- Use protective gloves when you do maintenance on the cutting equipment. The blade is very sharp and cuts can easily occur.
- Accessories and changes to the product that are not approved by the manufacturer, can cause serious injury or death. Do not change the product. Always use accessories that are approved by the manufacturer.
- If the maintenance is not done correctly and regularly, the risk of injury and damage to the product increases.
- Only do the maintenance as given in this owner's manual. All other servicing must be done by an approved Husqvarna service agent.
- Let an approved Husqvarna service agent do servicing on the product regularly.
- Replace damaged, worn or broken parts.

## Safety instructions for maintenance



**WARNING:** Read the warning instructions that follow before you use the product.

## Assembly

### Introduction



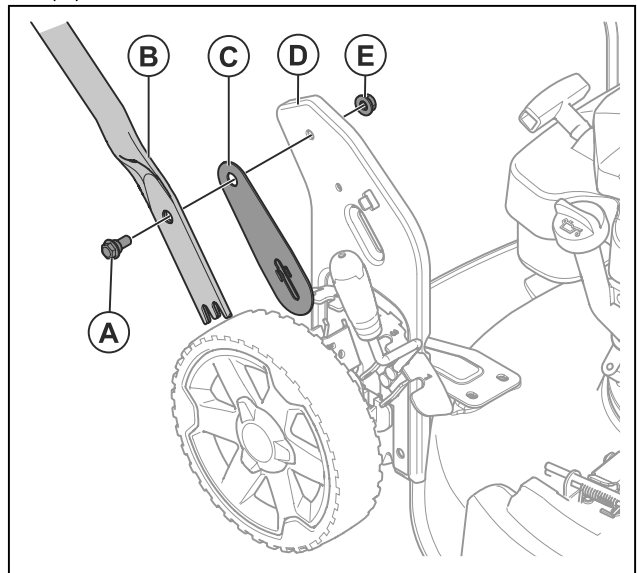
**WARNING:** Before you assemble the product, you must read and understand the safety chapter.



**WARNING:** Remove the spark plug cable from the spark plug before you assemble the product.

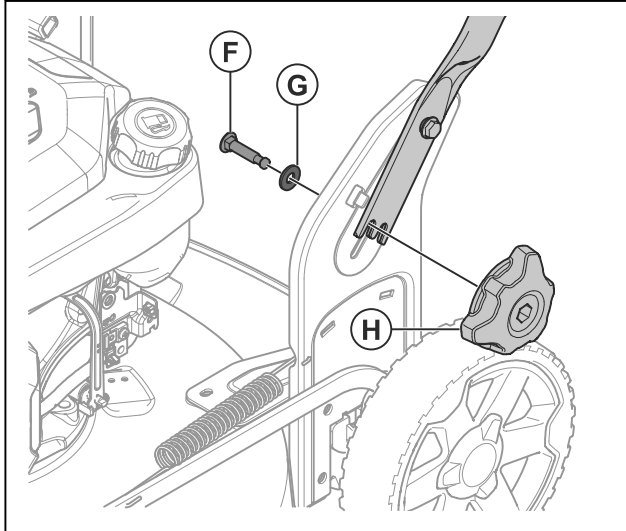
### To assemble the handle

1. Push the screw (A) through the handle (B), the plastic washer (C) and the handle support bracket (D).



2. Tighten the nut (E) fully.

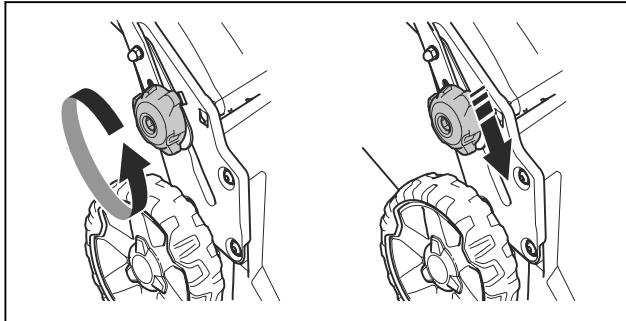
3. Push the screw (F) through the washer (G) and the handle support bracket.



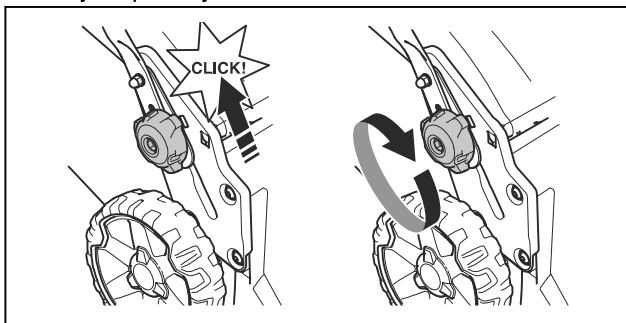
4. Tighten the knob (H) fully.

### To adjust the handle

1. Loosen the lower knobs.
2. Move the knobs to the lower end of the grooves on the left and the right side of the product.



3. Set the handle height in one of the 2 available positions.
4. Move the knobs up in the direction of the handle until they stop and you hear a click.

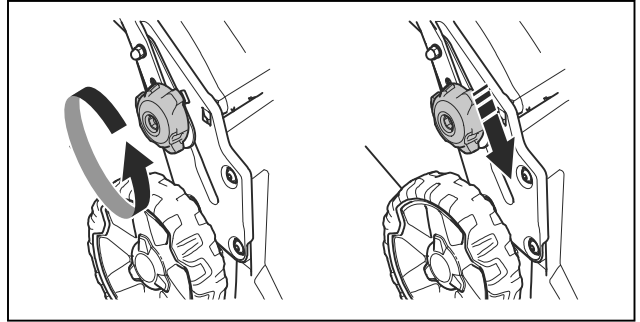


5. Tighten the knobs fully.

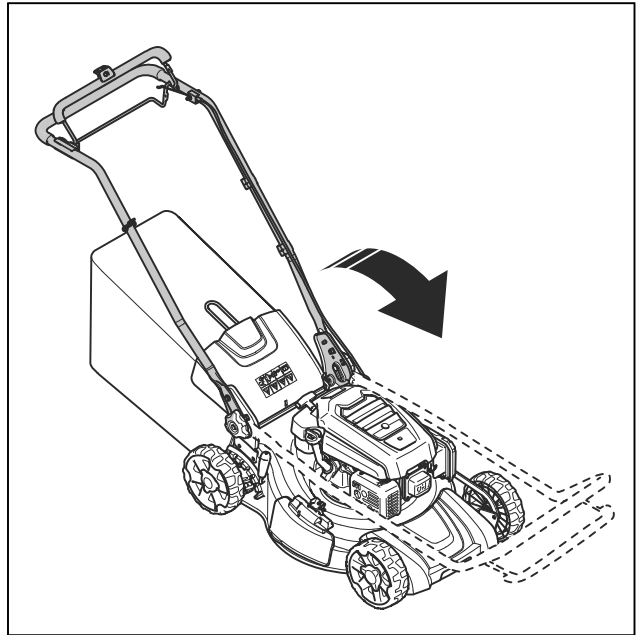
### To set the product in transport position

1. Loosen the lower knobs.

2. Move the knobs to the lower end of the grooves on the left and the right side of the product.

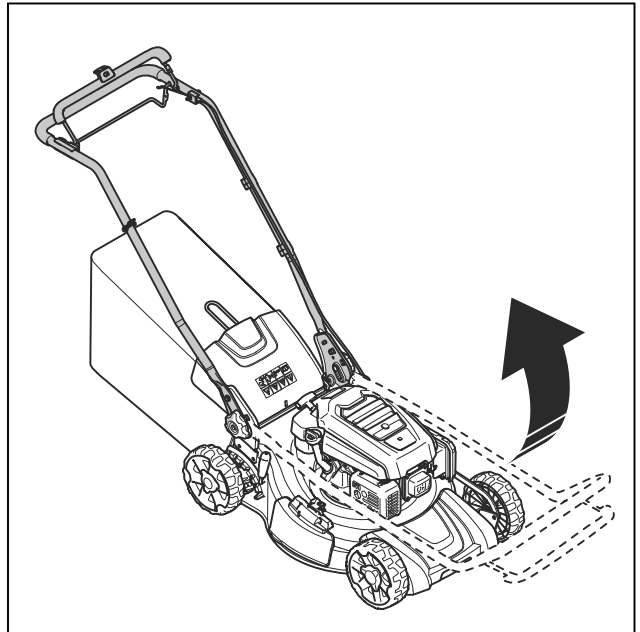


3. Fold the handle forward.

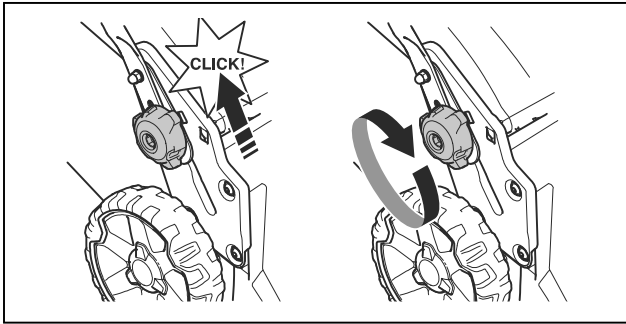


### To set the product in operation position

1. Fold the handle to upright position.



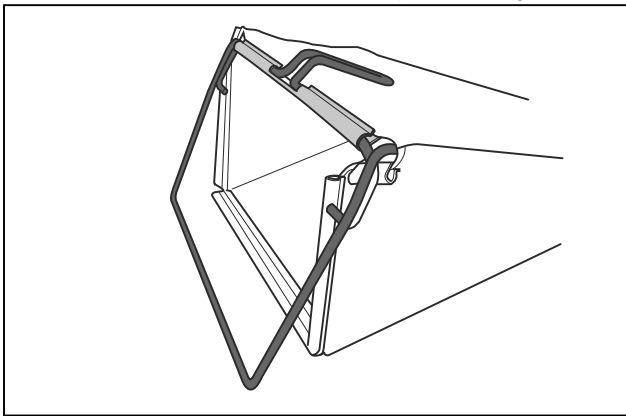
2. Move the knobs up in the direction of the handle until they stop and you hear a click.



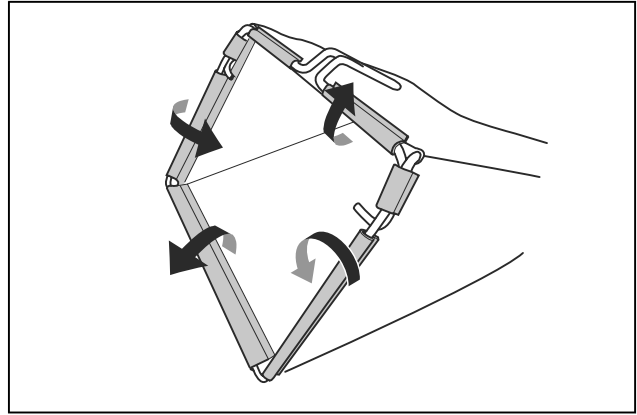
3. Tighten the knobs fully.

## To assemble the grass catcher

1. Attach the grass catcher frame to the grass bag with the rigid part of the bag on the bottom. Keep the handle of the frame out of the top of the bag.



2. Attach the grass bag to the frame with the clips.



## Operation

### Introduction



**WARNING:** Before you operate the product, you must read and understand the safety chapter.

### Husqvarna Connect

Husqvarna Connect is a free app for your mobile device. The Husqvarna Connect app gives extended functions for your Husqvarna product:

- Extended product information.
- Information about, and help with, product parts and servicing.

### To start to use Husqvarna Connect

1. Download the Husqvarna Connect app on your mobile device.
2. Register in the Husqvarna Connect app.
3. Do the instruction steps in the Husqvarna Connect app to connect and register the product.

### Before you operate the product

1. Read the operator's manual carefully and make sure that you understand the instructions.
2. Examine the cutting equipment to make sure that it is correctly attached and adjusted. See *To examine the cutting equipment on page 12*.
3. Fill the fuel tank. See *To fill fuel on page 8*.
4. Fill the oil tank and do a check of the oil level. See *To do a check of the oil level on page 13*.

### To fill fuel

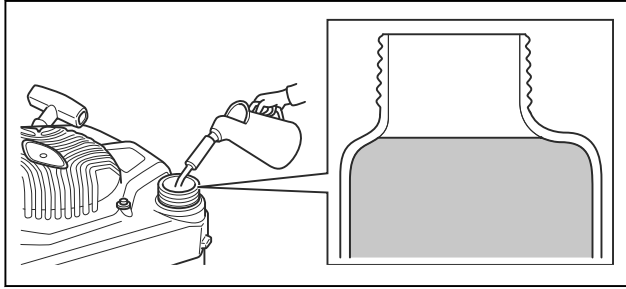
If available, use low-emission/alkylate gasoline. If low-emission/alkylate gasoline is not available, use good quality unleaded gasoline or leaded gasoline with octane number not less than 90.



**CAUTION:** Do not use gasoline with an octane number less than 90 RON (87 AKI). This can cause damage to the product.

1. Open the fuel tank cap slowly to release the pressure.

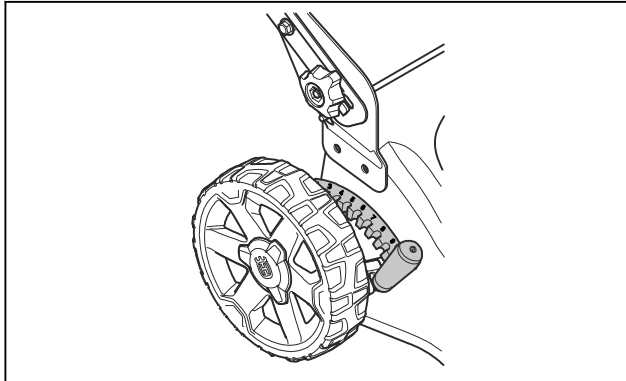
2. Fill slowly with a fuel can. If you spill fuel, remove it with a cloth and let remaining fuel dry off.



3. Clean the area around the fuel tank cap.
4. Tighten the fuel tank cap fully. If the fuel tank cap is not tightened, there is a risk of fire.
5. Move the product a minimum of 3 m (10 ft) from the position where you filled the tank before a start.

### To set the cutting height

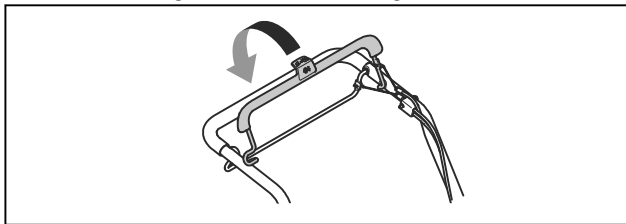
1. Move the cutting height lever rearward to increase the cutting height.
2. Move the cutting height lever forward to decrease the cutting height.



**CAUTION:** Do not set the cutting height too low. The blades can hit the ground if the surface of the lawn is not level.

### To start the product

1. Make sure that the ignition cable is connected to the spark plug.
2. Stay behind the product.
3. Hold the engine brake handle against the handlebar.



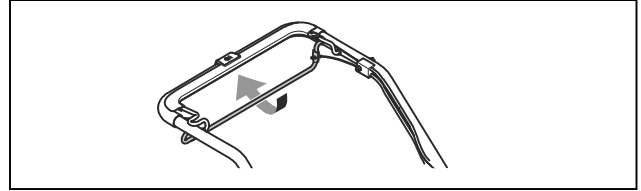
4. Hold the starter rope handle with your right hand.
5. Slowly pull out the starter rope until you feel some resistance.
6. Pull with force to start the engine.



**WARNING:** Do not twist the starter rope around your hand.

### To use the drive on the wheels LC 151S

- Push the drive bail in the direction of the handlebar.



- Release the drive bail to disengage the drive, for example when you go near an obstacle.
- Before you pull the product rearward, disengage the drive and push the product forward approximately 10 cm.

### To stop the product

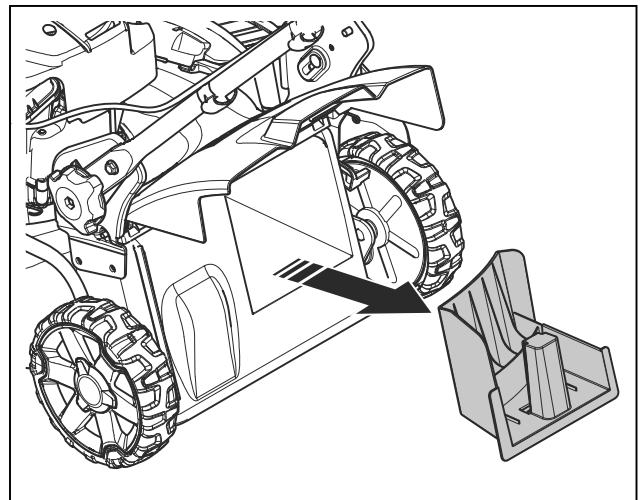
- To stop the drive only, release the drive bail.
- To stop the engine, release the engine brake handle.

### To use the product with the grass catcher



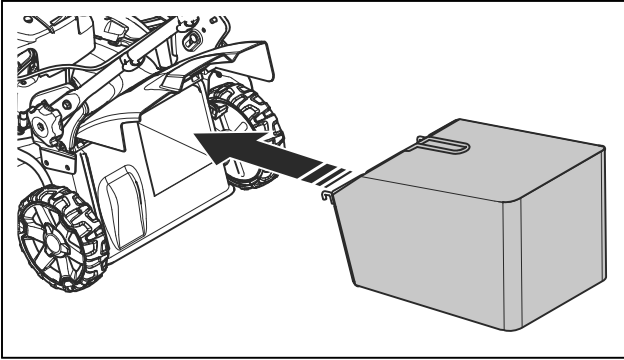
**WARNING:** Do not operate the product without a grass catcher installed or without the rear cover closed. Objects can eject and cause injury to the operator.

1. Lift the rear cover and remove the mulch plug if it is installed.



2. Assemble the grass catcher, refer to *To assemble the grass catcher on page 8*.
3. Put the grass catcher on the bracket.

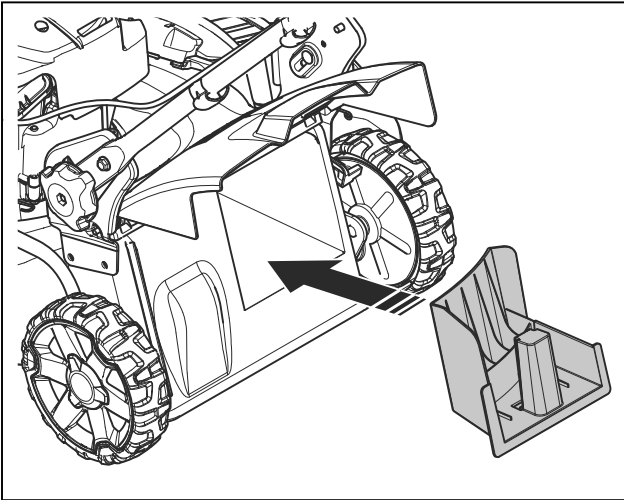
4. Release the rear cover and put it on top of the grass bag frame.



## To change the product to mulching mode

Make sure the engine is off before you change the product to mulch mode.

1. Lift the rear cover and remove the grass catcher, if it is installed.
2. Put the mulch plug into the discharge channel.



3. Close the rear cover and make sure that it is tightly closed against the mulch plug.

---

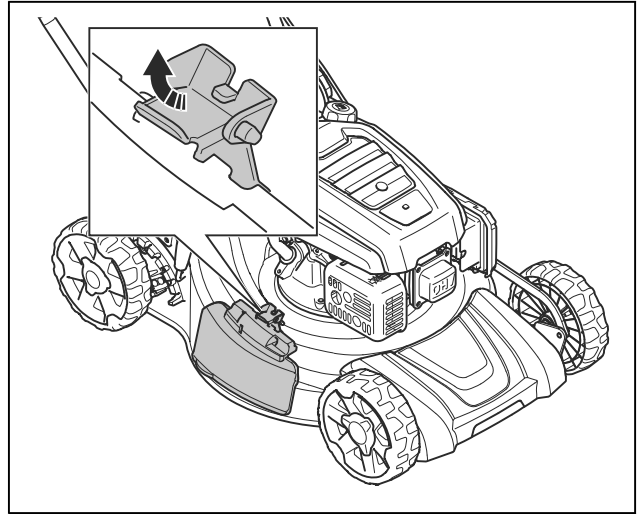
**Note:** To increase the performance of the mulch mode, replace the blade with the mulch blade accessory. Refer to *To replace the blade on page 12*

---

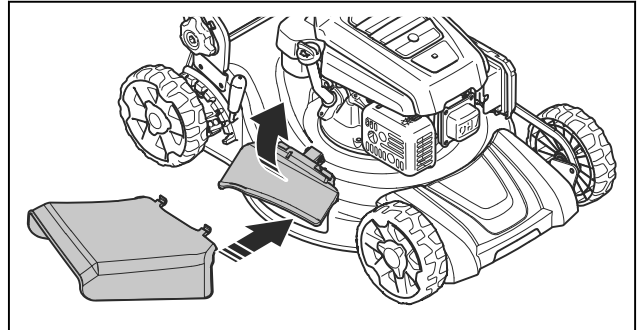
## To change the product to side discharge mode

1. Lift the rear cover and remove the grass bag, if it is installed.
2. Close the rear cover and make sure that it is tightly closed against the product.

3. Lift the discharge lock.



4. Open the side discharge cover and install the side discharge deflector onto the support pins.

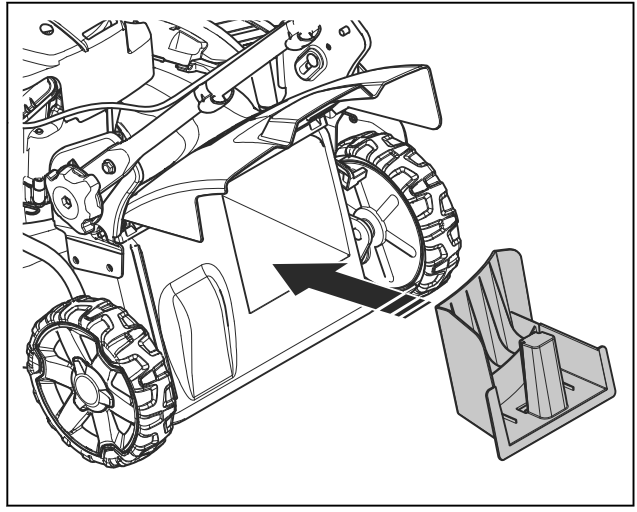


5. Let the side discharge cover close against the side discharge deflector. Make sure that the side discharge deflector is tightly in position before you operate the product.

---

**Note:** To increase the performance in side discharge mode, install the mulch plug.

---

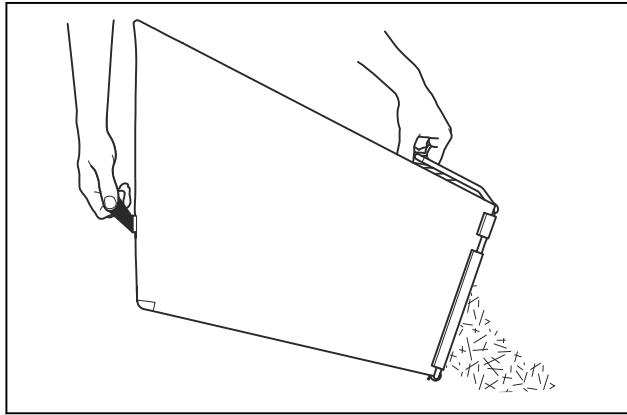


## To empty the grass catcher



**CAUTION:** Lift the grass catcher when you move it to prevent wear.

1. Lift the grass catcher with the frame handle.
2. Use the frame handle and the bag handle when you empty the grass catcher.



## To get a good result

- Always use a sharp blade. A blunt blade gives an irregular result and the cut surface of the grass becomes yellow. A sharp blade also uses less energy than a blunt blade.
- Do not cut more than  $\frac{1}{3}$  of the length of the grass. Use the highest cutting height when you start to cut the grass. Examine the result and lower the cutting height to an applicable level. If the grass is very long, operate slowly and cut 2 times if it is necessary.
- Cut in different directions each time to prevent stripes in the lawn.
- Lift the rear cover and remove the grass catcher.
- If a mulch plug and a mulch blade are attached, remove them.
- Close the rear cover before you operate the product. When you operate the product, the cut grass discharges below the rear cover.
- Keep the cutting cover clean. Buildup from grass and dirt on the inner side of the cutting cover can decrease the cutting result. Refer to *To clean the inner surface of the cutting cover on page 12.*

## Maintenance

### Introduction



**WARNING:** Before you do maintenance, you must read and understand the safety chapter.

For all servicing and repair work on the product, special training is necessary. We guarantee the availability of professional repairs and servicing. Speak to your Husqvarna servicing dealer.

For more detailed information, refer to [www.husqvarna.com](http://www.husqvarna.com).

### Maintenance schedule



**CAUTION:** Make sure that the air filter is up and not against the ground when you tilt the product. Risk of engine damage.

The maintenance intervals are calculated from daily use of the product. The intervals change if the product is not used daily.

For maintenance identified with \* refer to instructions in *Safety devices on the product on page 5.*

Maintenance	Daily	Monthly	Each season
Do a general inspection	X		
Examine the oil level	X		
Replace the oil (the first time after 5 h of use, then after each 50 h of use) <sup>1</sup>			X
Clean the product	X		
Examine the cutting equipment	X		
Examine the cutting cover *	X		
Examine the engine brake handle *	X		
Examine the muffler *		X	

<sup>1</sup> If the product is operated with heavy load or in high ambient temperatures, replace the engine oil each 25 hours.

Maintenance	Daily	Monthly	Each season
Examine the spark plug. Clean or replace the spark plug if it is necessary			X
Examine the air filter	X		
Clean the air filter <sup>2</sup>		X	
Replace the air filter			X
Examine the fuel system			X
Clean the cooling fins on the cylinder		X	
Examine and adjust the clutch wire			X

## To do a general inspection

- Make sure that all nuts and screws on the product are tightened correctly.

## To clean the product externally

- Use a brush to remove leaves, grass and dirt.
- Make sure that the air intake on the top of the engine is not blocked.
- Do not use a high pressure washer to clean the product.
- If you use water to clean the product, do not flush water directly on the engine.

## To clean the inner surface of the cutting cover

1. Empty the fuel tank.
2. Tilt the product. Make sure that the spark plug point up.



**CAUTION:** If the product is put with the air filter down, the engine can become damaged.

3. Hose down the inner surface of the cutting cover with water.

## To examine the cutting equipment



**WARNING:** To prevent accidental start remove the ignition cable from the spark plug.



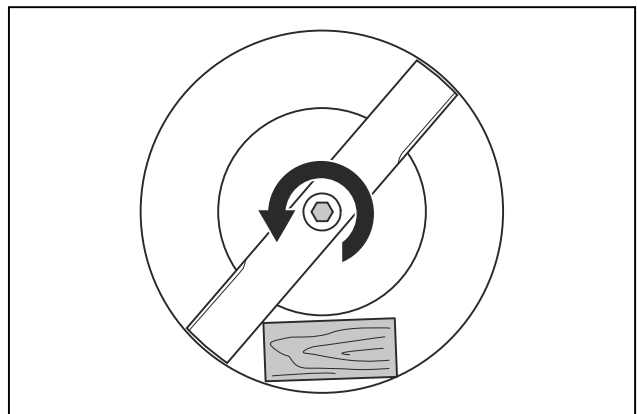
**WARNING:** Use protective gloves when you do maintenance on the cutting equipment. The blade is very sharp and cuts can easily occur.

1. Examine the cutting equipment for damage or cracks. Always replace a damaged cutting equipment.
2. Look at the blade to see if it is damaged or blunt.

**Note:** It is necessary to balance the blade after it is sharpened. Let a service center sharpen, replace and balance the blade. If you hit an obstacle that causes the product to stop, replace the damaged blade. Let the service center estimate if the blade can be sharpened or must be replaced.

## To replace the blade

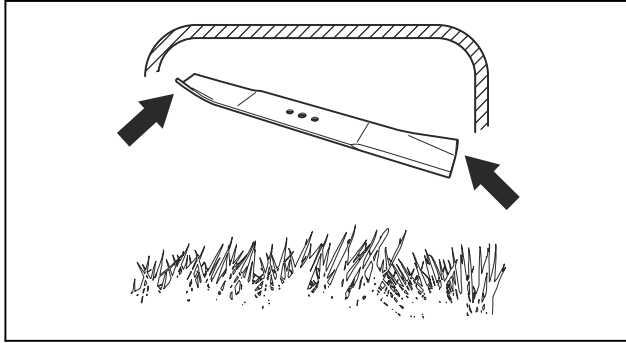
1. Lock the blade with a block of wood.



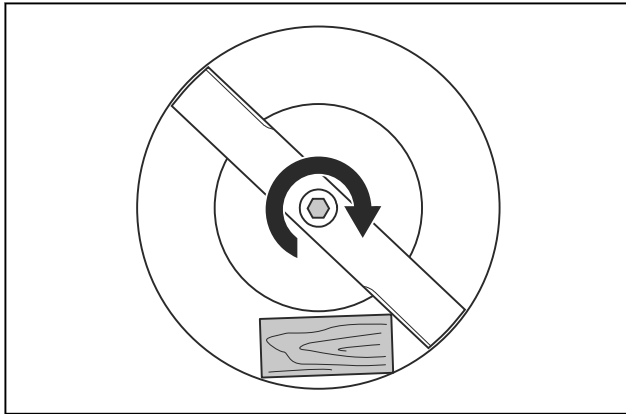
2. Remove the blade bolt and spring washer.
3. Remove the blade.
4. Examine the blade support and blade bolt to see if there are damages.
5. Examine the engine shaft to make sure that it is not bent.

<sup>2</sup> Clean more often under dusty conditions or when airborne debris is present. Replace air filter, if it is very dirty.

6. When you attach the new blade, point the angled ends of the blade in the direction of the cutting cover.



7. Make sure that the blade is aligned with the center of the engine shaft.
8. Lock the blade with a block of wood. Attach the spring washer and tighten the bolt and washer with a torque of 43 – 47 Nm.



9. Pull the blade around by hand and make sure that it turns freely.



**WARNING:** Use heavy duty gloves. The blade is very sharp and cuts can easily occur.

10. Start the product to do a test of the blade. If the blade is not correctly attached, there is vibration in the product or the cutting result is unsatisfactory.

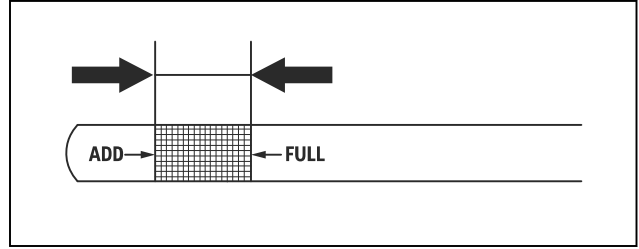
## To do a check of the oil level



**CAUTION:** A too low oil level can do damage to the engine. Do a check of the oil level before you start the product.

- Put the product on level ground.
- Remove the oil tank cap and the attached dipstick.
- Clean the oil from the dipstick.
- Push the dipstick fully into the oil tank. Attach the oil tank cap.
- Remove the oil tank cap and the dipstick.
- Examine the oil level on the attached dipstick.

7. If the oil level is low, fill with engine oil and do a check of the oil level again.



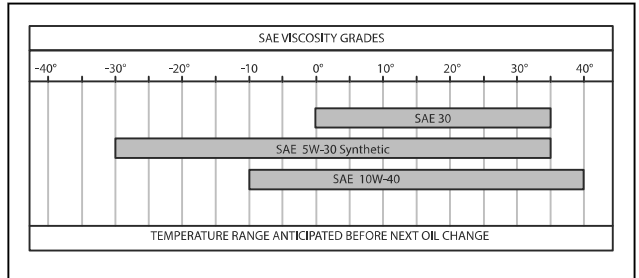
**Note:** Use a funnel to prevent spill.

8. Install the oil tank cap when the oil level is correct.

## To replace the engine oil



**WARNING:** Engine oil is very hot directly after the engine is stopped. Let the engine become cool before you drain the engine oil. If you spill engine oil on your skin, clean with soap and water.



Operate the product until the fuel tank is empty.

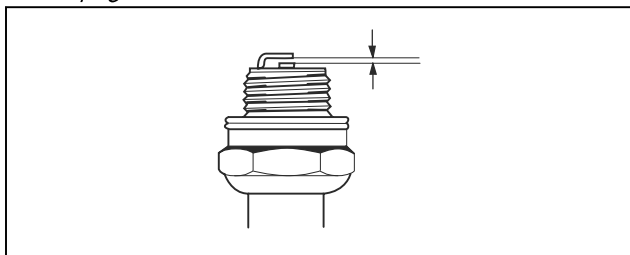
- Remove the ignition cable from the spark plug.
- Remove the oil tank cap.
- Drain the engine oil.
  - If you have an oil pump (accessory): Use the oil pump to empty the oil tank.
  - For models with an oil drain plug: Put a container below the oil drain plug to collect the engine oil in. Remove the oil drain plug and tilt the product to empty the oil tank.
  - For models without an oil drain plug: Put a container below the product to collect the engine oil in. Open the oil tank cap and tilt the product to empty the oil tank.
- Fill with new engine oil of the type recommended in *Technical data on page 18*.
- Do a check of the oil level. Refer to *To do a check of the oil level on page 13*.

## To do a check of the spark plug



**CAUTION:** Always use the recommended spark plug type. Incorrect spark plug type can cause damage to the product.

- Do a check of the spark plug if the engine is low on power, is not easy to start or does not operate correctly at idle speed.
- To decrease the risk of unwanted material on the spark plug electrodes, obey these instructions:
  - a) Make sure that the idle speed is correctly adjusted.
  - b) Make sure that the fuel mixture is correct.
  - c) Make sure that the air filter is clean.
- If the spark plug is dirty, clean it and make sure that the electrode gap is correct, refer to *Technical data on page 18*.



- Replace the spark plug if it is necessary.

## Air filter

A dirty air filter can cause the engine to be damaged or not operate correctly. Do maintenance on the air filter more frequently in dusty conditions. Refer to *Maintenance on page 11* for information about when to replace the air filter.

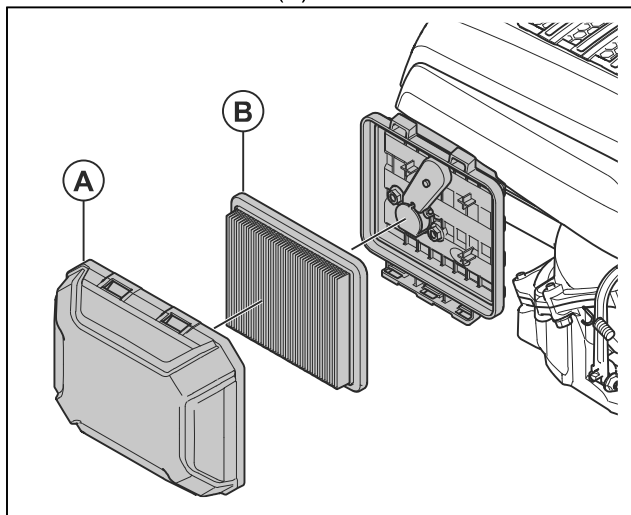
**Note:** Always replace a damaged air filter.

### To remove and install the air filter



**WARNING:** Use protective gloves.

1. Push the clips on the air filter cover.
2. Carefully remove the air filter cover (A) from the engine.
3. Remove the air filter (B).



4. Examine the air filter for damages. Replace a damaged air filter.
5. Clean and examine the air filter. Refer to *To clean the air filter on page 14*.
6. Install in the opposite sequence.

### To clean the air filter

A dirty air filter can cause the engine to be damaged or not operate correctly. Do maintenance on the air cleaner more frequently in dusty conditions.

Refer to *Maintenance on page 11* for information about when to replace the air filter.

1. Remove the air filter cover and remove the filter.
2. Clean the filter by hitting it against a flat surface. Do not use solvent with petroleum, kerosene or compressed air to clean the filter.

**Note:** Air filters in operation for a long time cannot be cleaned fully. Replace the air filter at regular intervals. Damaged air filters must always be replaced.

3. When you assemble the air filter, make sure that it fully seals against the filter holder.

### To do a check of the side discharge deflector

The side discharge deflector is attached to the side discharge opening of the product. It decreases the risk of objects to eject in the direction of the mow position of the operator.

1. Make sure that the side discharge deflector is not damaged.
2. Examine the side discharge deflector. Make sure that you do not see damages, such as cracks or broken springs that push the door to close.
3. Replace the side discharge deflector or the springs if they are damaged.

### To examine the fuel system

- Examine the fuel tank cap and the seal for the fuel tank cap to make sure that there are no damages.
- Examine the fuel hose to make sure that there are no leaks. If the fuel hose is damaged, let a service agent replace it.

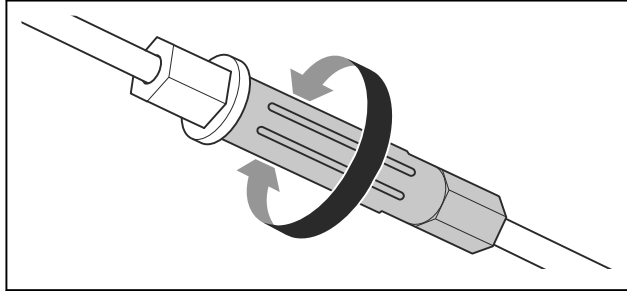
### To adjust the clutch wire (LC 151S)

For the situations that follow, it is necessary to decrease the length of the clutch wire:

- The drive of the wheels does not engage when you pull the drive bail or the speed control lever.
- The product moves slowly when the drive of the wheels is engaged.

For the situations that follow, it is necessary to extend the length of clutch wire:

- The product moves when the drive of the wheels is not engaged.
- Adjust the clutch wire.
  - a) To decrease the length of clutch wire, turn the adjuster screw counterclockwise.
  - b) To extend the length of the clutch wire, turn the adjustment screw clockwise.



If the product continues to drive unsatisfactory after the adjustment, speak to your servicing dealer

## To drain the fuel tank

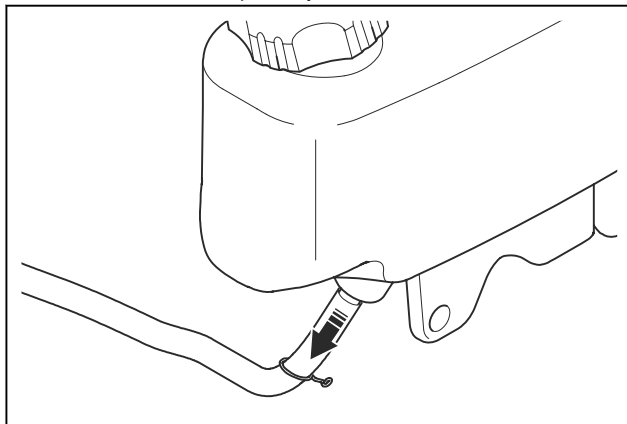
1. Put a container below the fuel tank.
2. Remove the fuel tank cap.
3. Push the hose clips on the fuel hose against the carburetor.
4. Remove the fuel hose from the carburetor.
5. Put the fuel tank hose in the container and remove the hose clips.
6. Tilt the product and drain the fuel into the container.

## To replace the fuel filter

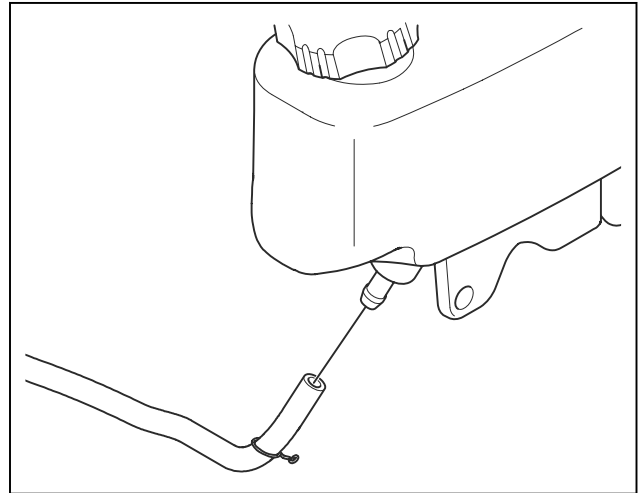


**WARNING:** Use protective gloves.

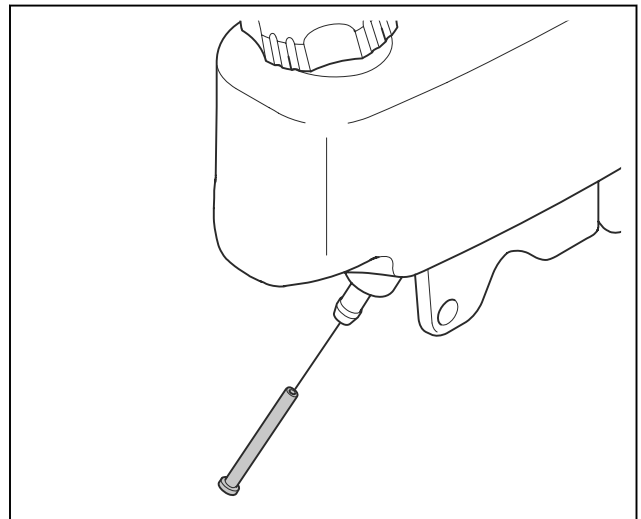
1. Drain the fuel tank.
2. Move the hose clip away from the fuel tank.



3. Remove the fuel hose from the fuel tank. A small quantity of fuel can leak.



4. Remove the fuel filter from the fuel tank.



5. Install a new fuel filter in the fuel tank.
6. Attach the fuel hose to the fuel tank.
7. Put the hose clip in position against the fuel tank.

## Engine troubleshooting

Problem	Possible cause	Solution
The engine does not start.	The ignition cable is not connected correctly.	Connect the ignition cable to the spark plug.
	The fuel tank is empty.	Fill the fuel tank with correct fuel type.
	The fuel is old.	Drain the fuel tank and the carburetor. Refuel with new gasoline.
	There is dirt in the carburetor or fuel line.	Clean the carburetor and/or fuel line.
	The spark plug is damaged.	Adjust the electrode gap, clean or replace the spark plug.
	There is fuel on the spark plug.	Clean the spark plug.
The engine does not stop.	The stop mechanism does not operate correctly.	Disconnect the ignition cable from the spark plug. Let an approved service agent repair the product.
The engine does not operate smoothly.	The ignition cable is not connected correctly.	Connect the ignition cable to the spark plug.
	There is dirt in the fuel line or the fuel has expired.	Clean the fuel line. Fill the fuel tank with new fuel of the correct type.
	There is blockage in the fuel tank cap.	Clean the fuel tank cap.
	There is water or dirt in the fuel system.	Drain the fuel tank. Fill the fuel tank with new fuel of the correct type.
	The air filter is dirty.	Clean the air filter.
	The carburetor must be adjusted.	Let a servicing dealer adjust the carburetor.
The engine becomes too hot.	The engine oil level is too low.	Fill engine oil.
	The air flow is not sufficient.	Clean the air filter and the air filter housing.
	The carburetor must be adjusted.	Let a servicing dealer adjust the carburetor.
There is misfire in the engine when it operates at high speed.	The electrode gap in the spark plug is too small.	Adjust the electrode gap.
Unusual noises from the engine during normal load.	Incorrect type of gasoline.	Drain the fuel tank and the carburetor. Refuel with new gasoline. Refer to <i>To fill fuel on page 8</i> . If the problem continues speak to your local service dealer.
The engine does not operate smoothly at idle speed.	The spark plug is dirty,damaged or the electrode gap is too wide.	Adjust the electrode gap or replace the spark plug.
	The carburetor must be adjusted.	Adjust the carburetor.
	The air filter is dirty.	Clean the air filter.

---

## Transportation, storage and disposal

---

### Transportation and storage

- For storage and transportation of the product and fuel, make sure that there are no leaks or fumes. Sparks or open flames, for example from electrical devices or boilers, can start a fire.
- Always use approved containers for storage and transportation of fuel.
- Empty the fuel tank before you put the product in storage for a long period of time. Discard the fuel at an applicable disposal location
- Safely attach the product during transportation to prevent damage and accidents.
- Keep the product in a locked area to prevent access for children or persons that are not approved.
- Keep the product in a dry and frost free area.

### Disposal

- Obey the local recycling requirements and applicable regulations.
- Discard all chemicals, such as engine oil or fuel, at a service center or at an applicable disposal location.
- When the product is no longer in use, send it to a Husqvarna dealer or discard it at a recycling location.

## Technical data

### Technical data

	LC 151	LC 151S
<b>Engine</b>		
Brand	Husqvarna	Husqvarna
Engine type	Single cylinder, 4-Stroke, Forced Air Cooling, OHV	Single cylinder, 4-Stroke, Forced Air Cooling, OHV
Displacement, cm <sup>3</sup>	166	166
Engine speed - Nominal, rpm (revolutions per minute)	2800/min	2800/min
Nominal engine output, kW <sup>3</sup>	2.7	2.7
<b>Ignition system <sup>4</sup></b>		
Spark plug	Husqvarna HQT-7 / Torch F7RTC	Husqvarna HQT-7 / Torch F7RTC
Electrode gap, mm	0.7-0.8	0.7-0.8
<b>Fuel and lubrication system</b>		
Engine lubrication type	Splash	Splash
Fuel tank capacity, litre	1.0	1.0
Oil tank capacity, litre	0.5	0.5
Engine oil <sup>5</sup>	SAE 30	SAE 30
<b>Weight</b>		
With empty tanks, kg	29.9	31.6
<b>Cutting equipment</b>		
Cutting height, mm	25-75	25-75
Cutting width, mm	510	510
Cutting system	Collection / BioClip® / Side discharge	Collection / BioClip® / Side discharge
Blade - Standard	Collection 598562601	Collection 598562601
Blade - Accessory	Mulch 597683901	Mulch 597683901
Grass catcher capacity, liter	65	65

<sup>3</sup> The power rating of the engine indicated is the average net output (at specified rpm) of a typical production engine for the engine model measured to SAE standard J1349/ISO1585. Mass production engines may differ from this value. Actual power output for the engine installed on the final product will depend on the operating speed, environmental conditions and other values.

<sup>4</sup> This spark ignition system complies with the Canadian ICES-002 standard.

<sup>5</sup> Use engine oil of quality API SJ or higher. If SAE-30 oil is used at temperature lower than +5 °C, there is a risk that it does not lubricate the engine sufficiently. This can cause engine damage. Refer to *To replace the engine oil on page 13* for the correct oil for low temperatures. See the viscosity chart and select the best viscosity based on the expected outside temperature.

	LC 151	LC 151S
<b>Drive</b>		
Self walk speed, km/h	–	3.6

## Table des matières

Introduction.....	20	Entretien.....	30
Sécurité.....	21	Dépannage moteur.....	35
Montage.....	25	Transport, entreposage et mise au rebut.....	36
Fonctionnement.....	26	Données techniques.....	37

## Introduction

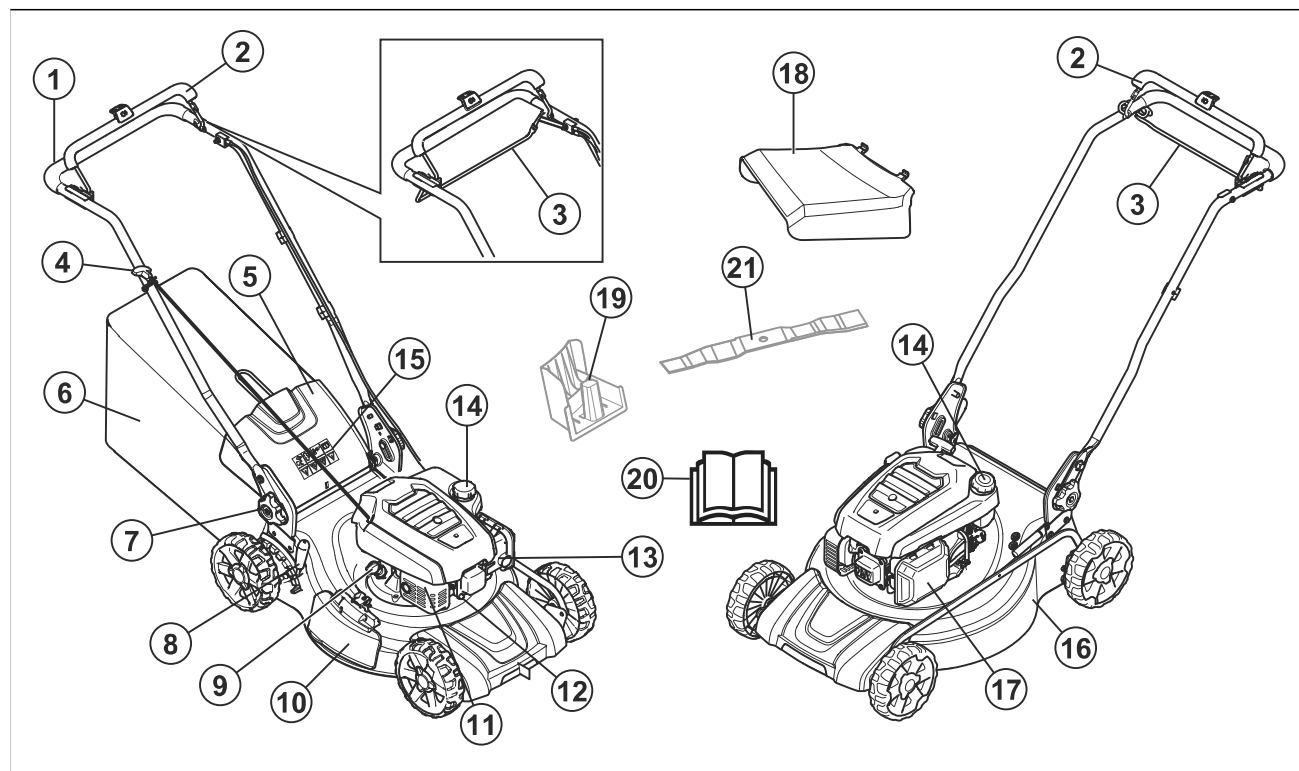
### Description du produit

Le produit est une tondeuse rotative à pousser. Fixer le collecteur d'herbe pour recueillir l'herbe. Fixez le déflecteur d'éjection latérale pour l'éjection latérale de l'herbe. Fixer une trousse de broyeur pour couper l'herbe en engrais.

### Utilisation prévue

Utiliser l'outil pour couper l'herbe. Ne pas utiliser l'outil pour d'autres tâches.

### Présentation de l'appareil



- |  |                                       |
|--|---------------------------------------|
| 1. Guidon                                      | 13. Carburateur                       |
| 2. Poignée de frein moteur                     | 14. Bouchon du réservoir de carburant |
| 3. Barre d'entraînement (LC 151S)              | 15. Symboles                          |
| 4. Corde du lanceur                            | 16. Carter de coupe                   |
| 5. Couvercle arrière                           | 17. Filtre à air                      |
| 6. Collecteur d'herbe                          | 18. Déflecteur latéral                |
| 7. Molette de réglage de la hauteur de poignée | 19. Bouchon de broyage                |
| 8. Levier de réglage de la hauteur de coupe    | 20. Manuel de l'opérateur             |
| 9. Jauge et bouchon du réservoir d'huile       | 21. Lame de broyage (accessoire)      |
| 10. Couvercle de décharge latérale             |                                       |
| 11. Silencieux                                 |                                       |
| 12. Bougie d'allumage                          |                                       |

## Symboles figurant sur le produit



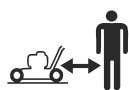
**AVERTISSEMENT!** Soyez prudent et utilisez le produit correctement. Ce produit peut causer des blessures graves, voire mortelles, à l'opérateur ou à d'autres personnes.



Veuillez lire attentivement le manuel d'utilisation et assurez-vous de bien comprendre les instructions avant utilisation.



Faire attention aux objets projetés et aux ricochets.



Garder les personnes et les animaux à une distance sécuritaire de l'aire de travail.



Avertissement : Éloignez vos mains et vos pieds de la lame en rotation.



Avertissement : Éloignez vos pieds et vos mains des pièces rotatives.



Coupez le moteur et retirez le câble d'allumage avant toute réparation ou opération d'entretien.



Risque d'incendie.



Ne respirez pas les gaz d'échappement. Les gaz d'échappement du moteur contiennent du monoxyde de carbone, un gaz inodore, toxique et très dangereux. Ne démarrez pas le moteur en intérieur ou dans des espaces fermés.



Surface chaude.



Remplissez le moteur d'huile avant de démarrer le produit.

---

**Remarque :** Les autres symboles et autocollants apposés sur le produit se rapportent aux exigences en matière de certification pour certaines zones commerciales.

---

## Produit endommagé

Nous ne sommes pas responsables des dommages causés à notre produit si :

- Le produit n'est pas réparé de façon adéquate.
- Le produit est réparé avec des pièces qui ne sont pas fournies ou homologuées par le fabricant.
- Le produit comprend un accessoire qui n'est pas fourni ou homologué par le fabricant.
- Le produit n'est pas réparé par un centre de service après-vente agréé ou par une autorité homologuée.

## Émissions au Canada



**MISE EN GARDE :** Le moteur installé sur ce produit n'est pas conçu pour fonctionner à haute altitude.

---

## Sécurité

### Définitions de sécurité

Des avertissements, des mises en garde et des remarques sont utilisés pour souligner des parties particulièrement importantes du manuel.



**AVERTISSEMENT :** utilisé en cas de risque de blessures ou de mort pour l'opérateur ou les personnes à proximité si les instructions du manuel ne sont pas respectées.

---



**MISE EN GARDE :** utilisé en cas de risque de dommages pour le produit, d'autres matériaux ou les environs si les instructions du manuel ne sont pas respectées.

---

**Remarque :** utilisé pour donner des informations supplémentaires pour une situation donnée.

---

## Consignes générales de sécurité



**AVERTISSEMENT** : Lire les messages d'avertissement qui suivent avant d'utiliser l'appareil.

- Ce produit est dangereux s'il est mal utilisé ou si on ne fait pas attention. Des blessures ou la mort peuvent se produire si les consignes de sécurité ne sont pas respectées.
- Ce produit produit un champ électromagnétique pendant le fonctionnement. Ce champ magnétique peut, dans certains cas, nuire aux implants médicaux actifs ou passifs. Pour réduire le risque de blessures graves ou mortelles, nous recommandons aux personnes ayant des implants médicaux de consulter leur médecin et le fabricant de l'implant médical avant d'utiliser le produit.
- Toujours rester prudent et faire preuve de bon sens. En cas de doute sur la manière de faire fonctionner le produit dans une situation particulière, arrêter et parler à votre détaillant Husqvarna avant de continuer.
- Garder en tête que l'opérateur est tenu responsable des accidents qui impliquent d'autres personnes, ou leurs biens.
- Toujours garder le produit propre. S'assurer de pouvoir lire clairement les signes et les autocollants.
- Ne pas laisser une personne utiliser le produit sauf si vous êtes sûr qu'elle a lu et compris le contenu de ce manuel d'utilisation.
- Ne pas laisser un enfant utiliser l'outil.
- Ne pas laisser les enfants s'approcher de la zone de travail. Un adulte responsable doit être présent à tout moment.
- Ne laisser personne utiliser l'outil sans connaître les instructions.
- Toujours surveiller les personnes qui ont des capacités physiques ou mentales réduites et qui utilisent l'outil. Un adulte responsable doit être présent à tout moment.
- Ne pas utiliser le produit en cas de fatigue ou sous l'emprise de l'alcool, de drogues ou de médicaments. Cela a un effet négatif sur votre vision, votre vigilance, votre coordination et votre jugement.
- Ne pas utiliser le produit s'il est endommagé ou ne fonctionne pas correctement.
- Ne pas modifier ce produit ni l'utiliser s'il y a une possibilité qu'il ait été modifié par autrui.
- Ne pas modifier le réglage de la commande du régime du moteur

### Sécurité de l'aire de travail



**AVERTISSEMENT** : Lire les messages d'avertissement qui suivent avant d'utiliser l'appareil.

- Retirer les objets comme des branches, des brindilles et des pierres de la zone de travail avant d'utiliser le produit.
- Les objets qui heurtent l'équipement de coupe peuvent être projetés et causer des dommages aux personnes et aux objets environnants. Garder les personnes et les animaux à une distance de sécurité du produit.
- Ne jamais utiliser le produit par mauvais temps (brouillard, pluie, vents violents, froid intense, risque de foudre, etc.) L'utilisation du produit par mauvais temps ou dans des endroits humides ou mouillés est fatigante. Le mauvais temps peut entraîner des conditions dangereuses, telles que des surfaces glissantes.
- Rester à l'affût des personnes, des objets et des situations susceptibles d'entraver l'utilisation sécuritaire du produit.
- Repérer les obstacles, tels que les racines, les pierres, les brindilles, les fosses et les fossés. L'herbe longue peut dissimuler des obstacles.
- La coupe de l'herbe sur des pentes peut être dangereuse. Ne pas utiliser le produit sur un sol dont la pente est supérieure à 15°.
- Utiliser le produit à angle droit de la pente. Ne pas se déplacer vers le haut ou vers le bas.
- Faire preuve de prudence à l'approche des recoins et des objets qui peuvent obstruer la vue.

### Sécurité du travail



**AVERTISSEMENT** : Lire les messages d'avertissement qui suivent avant d'utiliser l'outil.

- Utiliser ce produit seulement pour couper l'herbe des pelouses. Il est interdit de l'utiliser pour d'autres travaux.
- Utiliser de l'équipement de protection individuelle. Se reporter à la section *Équipement de protection personnelle* à la page 23.
- S'assurer de savoir comment arrêter rapidement le moteur en cas d'urgence.
- Ne jamais démarrer le moteur dans un espace fermé ou à proximité de matériaux inflammables. Les gaz d'échappement du moteur sont chauds et peuvent contenir des étincelles qui peuvent provoquer un incendie.
- Ne faire fonctionner le produit que si la lame et tous les capots sont fixés de façon adéquate. Une lame mal fixée risque de se détacher et d'occasionner des blessures personnelles.
- S'assurer que la lame ne touche pas les objets tels que les pierres et les racines. Cela peut endommager la lame et tordre l'arbre du moteur. Un essieu tordu peut engendrer de fortes vibrations et occasionner un risque important que la lame se détache.

- Si la lame heurte un objet ou si des vibrations se produisent, arrêter immédiatement le produit. Déconnecter le câble d'allumage de la bougie. Examiner le produit pour détecter d'éventuels dommages. Réparer les dommages ou laisser un agent d'entretien agréé faire la réparation.
- Ne jamais fixer la poignée de frein moteur en permanence à la poignée lorsque le moteur a démarré.
- Placer le produit sur une surface stable et plane et lancez-le. Vérifier que l'outil de coupe ne touche pas le sol ou tout autre objet.
- Toujours rester derrière le produit lorsqu'on l'utilise.
- Lors de l'utilisation du produit, laisser toutes les roues reposer au sol et garder les deux mains sur la poignée. Garder les mains et les pieds à l'écart des lames en rotation.
- Ne pas incliner le produit alors que le moteur est en marche.
- Rester prudent lorsqu'on tire le produit vers l'arrière.
- Ne jamais soulever le produit alors que le moteur est en marche. Si on doit soulever le produit, couper d'abord le moteur et débrancher le câble d'allumage de la bougie.
- Ne pas utiliser le produit en marche arrière.
- Couper le moteur lorsqu'on se déplace dans une zone sans herbe, par exemple les chemins de gravier, de pierre et d'asphalte.
- Ne pas courir avec le produit alors que le moteur est en marche. Toujours marcher lors de l'utilisation du produit.
- Arrêter le moteur avant de changer la hauteur de coupe. Ne jamais faire de réglage alors que le moteur est en marche.
- Ne jamais laisser le produit rester hors de vue alors que le moteur est en marche. Arrêter le moteur et vérifier que l'équipement de coupe ne tourne pas.

## Consignes de sécurité pour l'utilisation

### Équipement de protection personnelle



**AVERTISSEMENT** : Lire les messages d'avertissement qui suivent avant d'utiliser l'appareil.

- Cet équipement de protection personnelle n'élimine pas complètement les risques de blessures, mais il peut en réduire la gravité en cas d'accident. Laisser le concessionnaire vous aider à sélectionner l'équipement adéquat.
- Utiliser des protecteurs d'oreille si le niveau sonore est supérieur à 85 dB.
- Utiliser des bottes ou des chaussures antidérapantes robustes. Ne pas utiliser des chaussures ouvertes ou rester les pieds nus.
- Porter un pantalon long et robuste.

- Utiliser des gants de protection au besoin, par exemple lors de la fixation, de l'examen ou du nettoyage de l'équipement de coupe.

### Dispositifs de sécurité sur le produit



**AVERTISSEMENT** : Lisez les messages d'avertissement qui suivent avant d'utiliser le produit.

- Ne pas utiliser le produit si les dispositifs de sécurité sont endommagés ou s'ils ne fonctionnent pas correctement.
- Contrôlez les dispositifs de sécurité régulièrement. Si les dispositifs de sécurité sont endommagés ou ne fonctionnent pas correctement, communiquez avec votre concessionnaire réparateur Husqvarna.
- N'apportez pas de modifications aux dispositifs de sécurité.

#### Vérification du carter de coupe

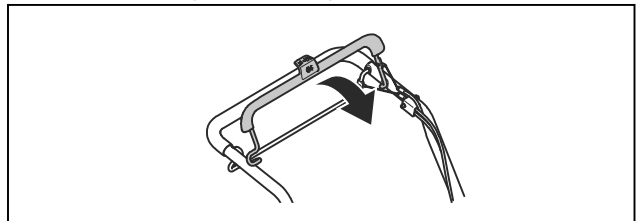
Le carter de coupe réduit les vibrations dans le produit et diminue le risque de blessure par la lame.

- Examinez le carter de coupe pour s'assurer qu'il n'y a pas de dommages tels que des fissures.

#### Vérification de la poignée de frein moteur

La poignée du frein moteur arrête le moteur. Lorsqu'on relâche la poignée du frein moteur, le moteur s'arrête.

- Démarrer le moteur, puis relâcher la poignée de frein moteur. Si le moteur ne s'arrête pas en trois secondes, communiquer avec un atelier spécialisé Husqvarna agréé pour régler le frein moteur.



#### Vérification du couvercle arrière

Le déflecteur arrière réduit le risque d'éjection d'objets dans la direction de l'utilisateur.

- S'assurer que le couvercle arrière n'est pas endommagé.
- S'assurer que les ressorts qui ferment le couvercle arrière ne sont pas endommagés.
- Remplacer les ressorts et les pièces endommagés.
- S'assurer que le couvercle arrière peut pivoter librement sur les charnières.

#### Silencieux

Le silencieux maintient le niveau de bruit au minimum et dirige les gaz d'échappement loin de l'utilisateur.

Ne pas utiliser le produit si le silencieux est manquant ou endommagé. Un silencieux endommagé augmente le niveau sonore et le risque d'incendie.



**AVERTISSEMENT** : Le silencieux devient très chaud pendant et après utilisation et lorsque le moteur tourne au ralenti. Faire attention à proximité des matériaux inflammables ou des fumées afin d'éviter tout risque d'incendie.

#### Pour vérifier le silencieux

- Examiner régulièrement le silencieux pour s'assurer qu'il est correctement raccordé et en bon état.

#### Sécurité carburant



**AVERTISSEMENT** : Lire les messages d'avertissement qui suivent avant d'utiliser l'appareil.

- Ne démarrez pas le produit si du carburant ou de l'huile moteur ont été renversés sur le produit. Essuyez le carburant/l'huile et attendez que le produit sèche.
- Si vous avez renversé du carburant sur vos vêtements, changez de vêtements immédiatement.
- Évitez tout contact de la peau avec le carburant, car cela pourrait causer des blessures. Si votre peau entre en contact avec le carburant, lavez les parties concernées avec de l'eau et du savon.
- Ne démarrez pas le produit si le moteur présente une fuite. Vérifiez régulièrement que le moteur ne présente aucune fuite.
- Faites attention avec le carburant. Le carburant est inflammable et ses vapeurs sont explosives. Il peut causer des blessures graves, voire mortelles.
- Ne respirez pas les vapeurs de carburant, elles peuvent causer des blessures. Assurez-vous que la ventilation est suffisante.
- Ne fumez pas à proximité du carburant ou du moteur.
- Ne placez pas d'objets chauds à proximité du carburant ou du moteur.
- N'ajoutez pas de carburant lorsque le moteur est allumé.
- Assurez-vous que le moteur est froid avant de faire le plein de carburant.
- Avant de faire le plein, ouvrez le bouchon du réservoir de carburant lentement et relâchez la pression avec précaution.
- N'ajoutez pas de carburant au moteur dans un espace intérieur. Un débit d'air insuffisant peut

causer des blessures graves, voire mortelles dues à une asphyxie ou au monoxyde de carbone.

- Serrez complètement le bouchon du réservoir de carburant. Si le bouchon du réservoir de carburant n'est pas serré, il y a un risque d'incendie.
- Déplacez le produit à au moins 3 m/10 pi de l'endroit où l'appoint en carburant a été effectué avant de démarrer le produit.
- Ne remplissez pas entièrement le réservoir de carburant. La chaleur entraîne la dilatation du carburant. Laissez un espace en haut du réservoir de carburant.
- Ne remisez jamais le produit avec du carburant dans le réservoir à l'intérieur d'un bâtiment où se trouvent des sources d'ignition telles que des chauffe-eau, des radiateurs ou des sèche-linge. Laissez refroidir le moteur avant de remiser le produit dans un endroit clos.

#### Consignes de sécurité pour la maintenance



**AVERTISSEMENT** : Lire les messages d'avertissement qui suivent avant d'utiliser l'outil.

- Les gaz d'échappement du moteur contiennent du monoxyde de carbone, un gaz inodore, toxique et très dangereux. Ne pas démarrer le moteur à l'intérieur ou dans des espaces fermés.
- Avant d'effectuer un entretien sur le produit, arrêter le moteur et retirer le câble d'allumage de la bougie.
- Utiliser des gants de protection lors des opérations d'entretien sur l'équipement de coupe. La lame est très affûtée et des coupures peuvent se produire facilement.
- Les accessoires et les modifications apportées au produit qui ne sont pas approuvés par le fabricant, peuvent causer des blessures graves, voire mortelles. Ne pas modifier l'outil. Toujours utiliser des accessoires homologués par le fabricant.
- Si l'entretien n'est pas effectué correctement et régulièrement, le risque de blessures et de dommages sur l'outil augmente.
- N'effectuer que les travaux d'entretien tel qu'indiqué dans ce manuel d'utilisation. Tous les autres travaux d'entretien doivent être effectués par un Husqvarna agent d'entretien agréé.
- Demander régulièrement à un Husqvarna agent d'entretien agréé d'effectuer l'entretien de l'outil.
- Remplacer les pièces endommagées, usées ou brisées.

# Montage

## Introduction



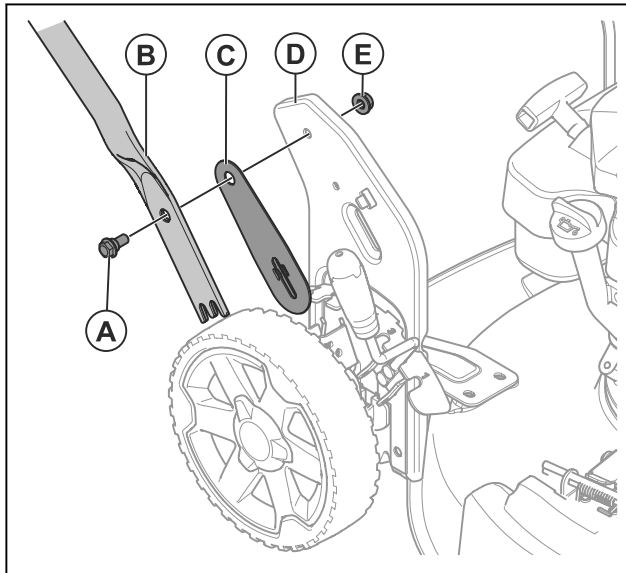
**AVERTISSEMENT :** Avant d'assembler le produit, lire et bien comprendre le chapitre sur la sécurité.



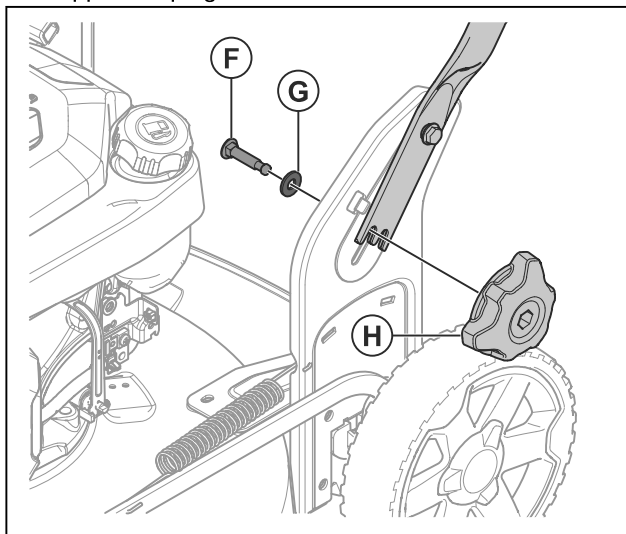
**AVERTISSEMENT :** Débrancher le câble de la bougie d'allumage de la bougie d'allumage avant d'assembler le produit.

## Pour monter la poignée

1. Pousser le boulon (A) à travers la poignée (B), la rondelle en plastique (C) et le support de poignée (D).



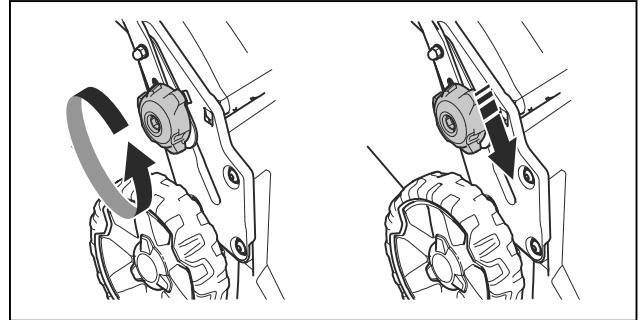
2. Serrez entièrement l'écrou (E).
3. Pousser l'écrou (F) à travers la rondelle (G) et le support de poignée.



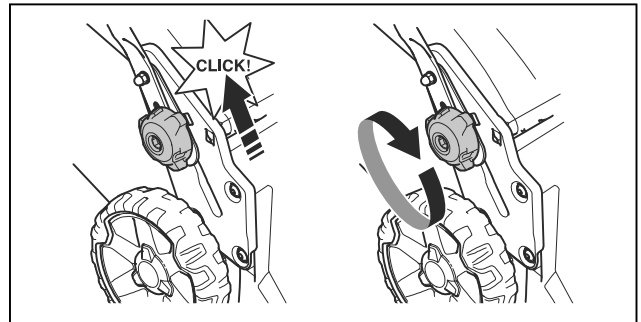
4. Serrer complètement la molette (H).

## Réglage de la position de la poignée

1. Desserrer les boutons inférieurs.
2. Déplacer les boutons jusqu'à l'extrémité inférieure des rainures sur les deux côtés du produit.



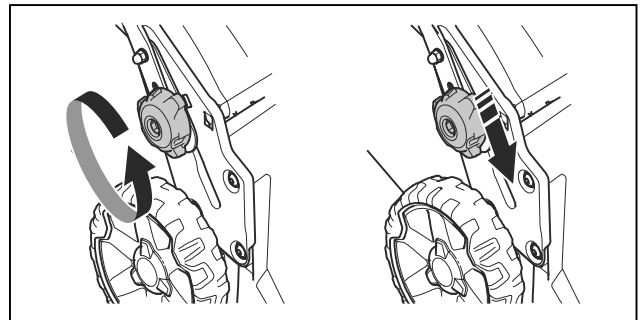
3. Régler la hauteur de la poignée à l'une des 2 positions disponibles.
4. Déplacer les boutons vers le haut dans la direction de la poignée jusqu'à ce qu'ils s'arrêtent et qu'un déclic se fasse entendre.



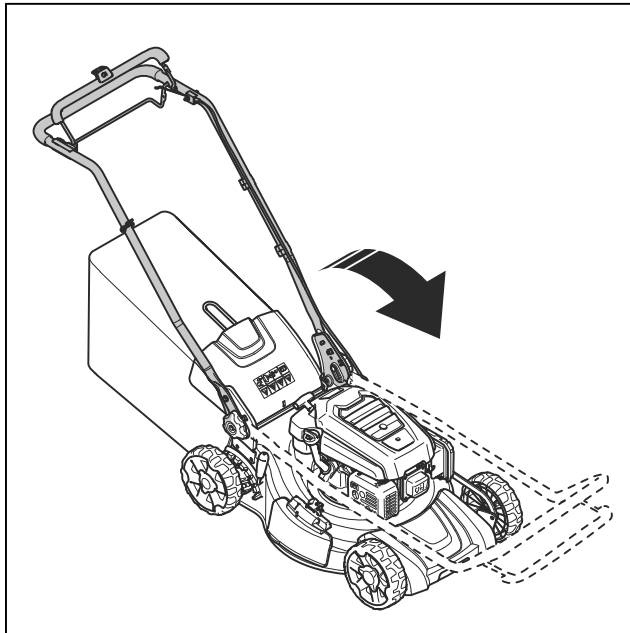
5. Serrer les boutons à fond.

## Pour régler l'outil à la position de transport

1. Desserrer les boutons inférieurs.
2. Déplacer les boutons jusqu'à l'extrémité inférieure des rainures sur les deux côtés du produit.

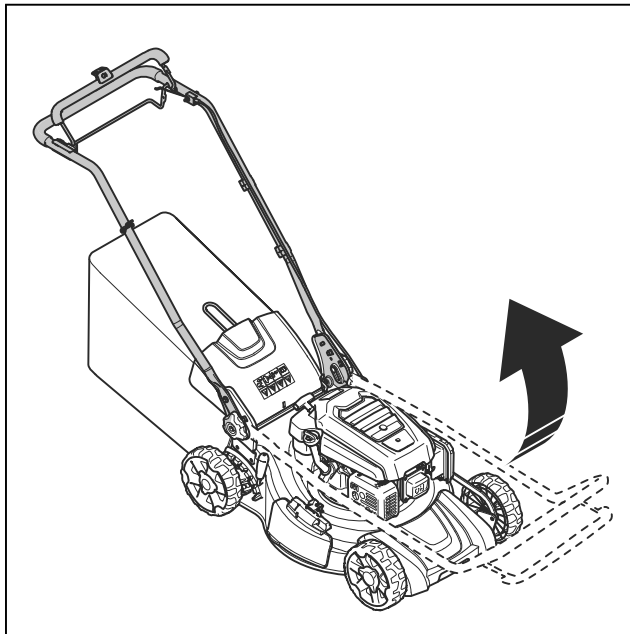


3. Plier la poignée vers l'avant.

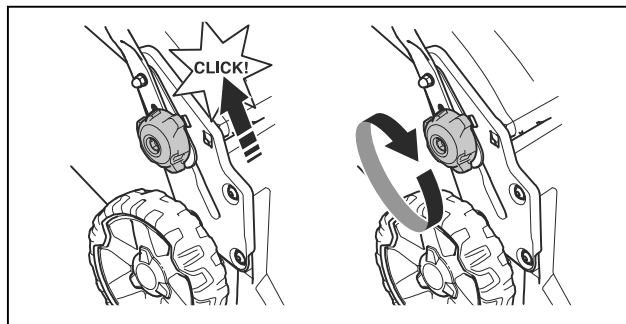


### Pour régler l'outil en position d'utilisation

1. Rabattre la poignée en position horizontale.



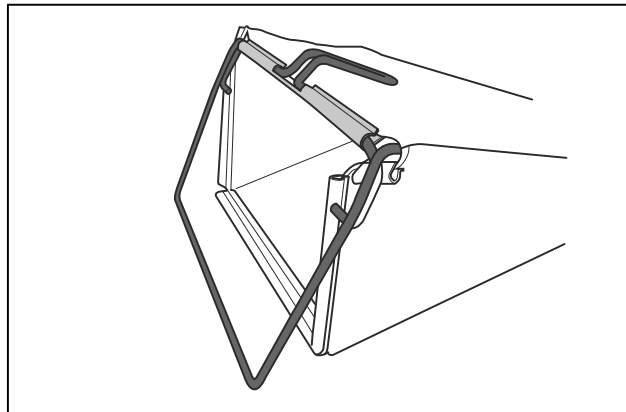
2. Déplacer les boutons vers le haut dans la direction de la poignée jusqu'à ce qu'ils s'arrêtent et qu'un déclic se fasse entendre.



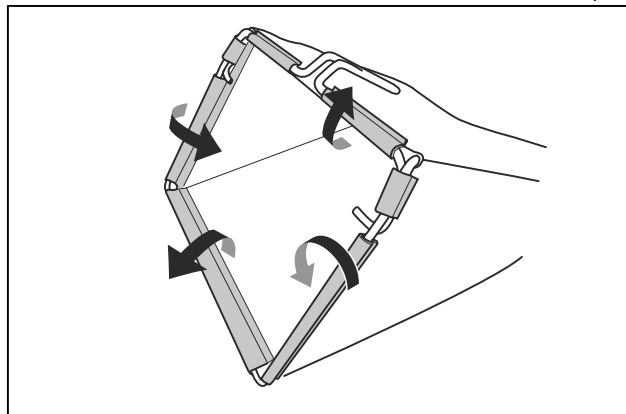
3. Serrer les boutons à fond.

### Pour assembler le collecteur d'herbe

1. Fixer le châssis du collecteur d'herbe sur le sac à herbe en orientant la partie rigide du sac vers le bas. Maintenir la poignée du châssis à l'extérieur de la partie supérieure du sac.



2. Raccorder le sac à herbe au cadre à l'aide des clips.



## Fonctionnement

### Introduction



**AVERTISSEMENT** : avant d'utiliser le produit, vous devez lire et comprendre le chapitre sur la sécurité.

### Husqvarna Connect

Husqvarna Connect est une application gratuite pour votre appareil mobile. L'application Husqvarna Connect offre des renseignements détaillés sur votre produit Husqvarna :

- Renseignements détaillés sur le produit.

- Renseignements et aide au sujet des pièces de rechange et de l'entretien du produit.

## Pour commencer à utiliser Husqvarna Connect

1. Télécharger l'application Husqvarna Connect sur votre appareil mobile.
2. S'inscrire dans l'application Husqvarna Connect.
3. Suivre les étapes décrites dans l'application Husqvarna Connect pour connecter et enregistrer le produit.

## Avant d'utiliser le produit

1. Lire attentivement le manuel d'utilisation et veiller à bien comprendre les directives.
2. Examiner l'équipement de coupe pour s'assurer qu'il est correctement fixé et réglé. Voir *Pour examiner l'équipement de coupe à la page 31*.
3. Remplir le réservoir de carburant. Voir *Faire le plein à la page 27*.
4. Remplir le réservoir d'huile et vérifier le niveau d'huile. Voir *Pour vérifier le niveau d'huile à la page 32*.

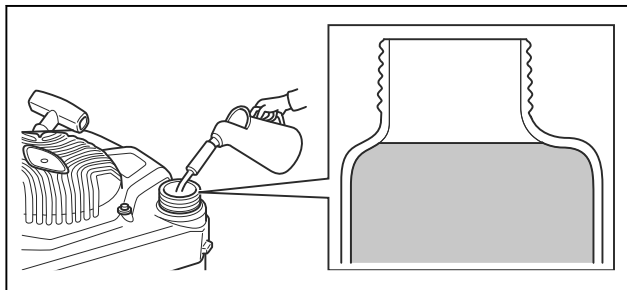
## Faire le plein

Si disponible, utiliser de l'essence à faibles émissions ou un alkylat. Si de l'essence à faibles émissions ou un alkylat ne sont pas disponibles, utiliser de l'essence sans plomb de bonne qualité ou de l'essence au plomb avec un indice d'octane d'au moins 90.



**MISE EN GARDE :** Ne pas utiliser d'essence à indice d'octane inférieur à 90 RON (87 AKI). Cela pourrait endommager le produit.

1. Ouvrir le bouchon du réservoir de carburant lentement pour libérer la pression.
2. Remplir le réservoir lentement avec un bidon de carburant. En cas de déversement de carburant, le nettoyer avec un chiffon et laisser le reste du carburant sécher.

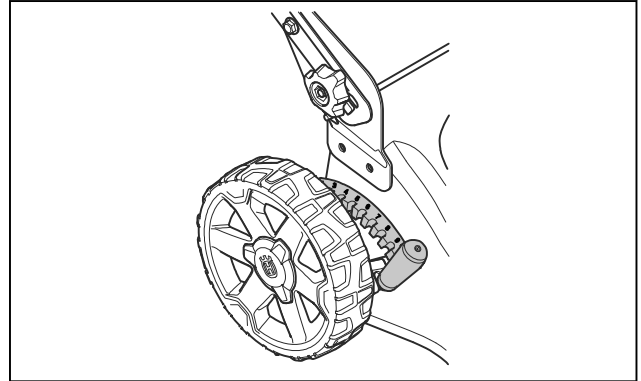


3. Nettoyer la zone autour du bouchon du réservoir de carburant.
4. Serrer fermement le couvercle du réservoir de carburant. Si le couvercle du réservoir de carburant n'est pas bien serré, il y a un risque d'incendie.

5. Avant de démarrer l'outil, le déplacer à au moins 3 m (10 pi) de la position où le plein de carburant a été fait.

## Pour régler la hauteur de coupe

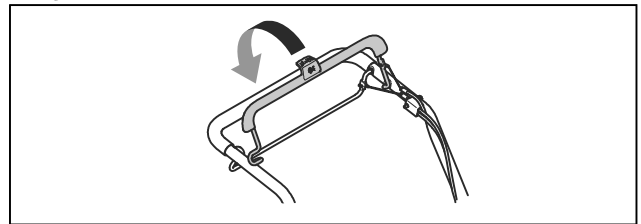
1. Déplacer le levier de réglage de hauteur de coupe vers l'arrière pour augmenter la hauteur de coupe.
2. Déplacer le levier de réglage de hauteur de coupe vers l'avant pour réduire la hauteur de coupe.



**MISE EN GARDE :** Ne pas régler la hauteur de coupe trop bas. Les lames peuvent frapper le sol si la surface de la pelouse n'est pas de niveau.

## Mise sous tension de l'appareil

1. S'assurer que le câble d'allumage est connecté à la bougie.
2. Rester derrière la machine.
3. Maintenir la poignée de frein moteur contre le guidon.



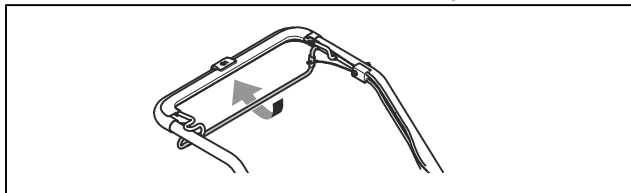
4. Saisir le câble de démarrage avec la main droite.
5. Tirer lentement sur le câble du lanceur jusqu'à ce que vous rencontriez une résistance.
6. Tirer avec force pour démarrer le moteur.



**AVERTISSEMENT :** Ne pas enrouler la corde du lanceur autour de la main.

## Utilisation de l'entraînement des roues LC 151S

- Tirer la barre d'entraînement vers le guidon.



- Relâcher la barre d'entraînement pour désengager l'entraînement, par exemple à l'approche d'un obstacle.
- Avant de tirer le produit vers l'arrière, désengager l'entraînement et pousser le produit vers l'avant d'environ 10 cm.

## Arrêt de la machine

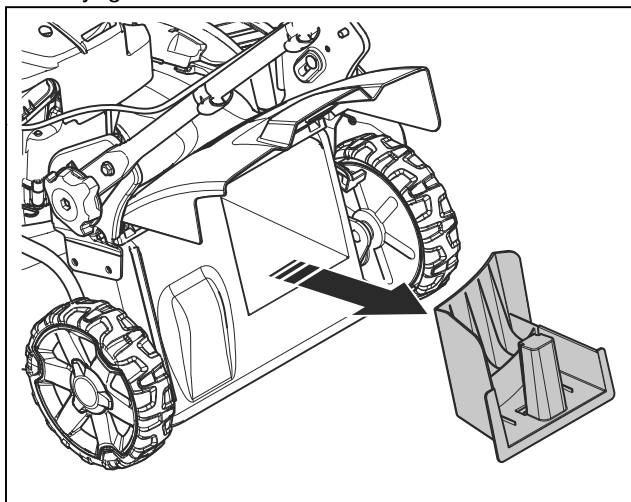
- Pour arrêter uniquement l'entraînement, relâcher la barre d'entraînement.
- Pour arrêter le moteur, relâcher la poignée du frein moteur.

## Pour utiliser le produit avec le collecteur d'herbe



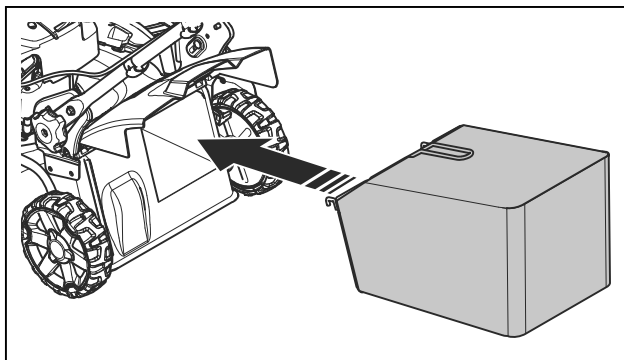
**AVERTISSEMENT** : Ne pas utiliser le produit si le collecteur d'herbe n'est pas raccordé et que le couvercle arrière est ouvert. Des objets peuvent être projetés et blesser l'utilisateur.

1. Lever le couvercle arrière et retirer le déflecteur de broyage s'il est installé.



2. Assembler le collecteur d'herbe; voir *Pour assembler le collecteur d'herbe à la page 26*.
3. Placer le collecteur d'herbe sur le support.

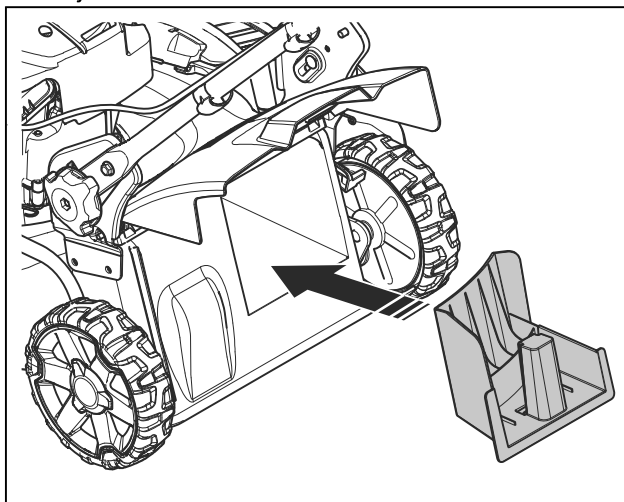
4. Laisser retomber le couvercle arrière sur le cadre du sac à herbe.



## Pour passer le produit en mode broyage

S'assurer que le moteur est coupé avant d'effectuer cette opération.

1. Lever le couvercle arrière et retirer le collecteur d'herbe s'il est installé.
2. Placez l'obturateur du broyeur dans le canal d'éjection.



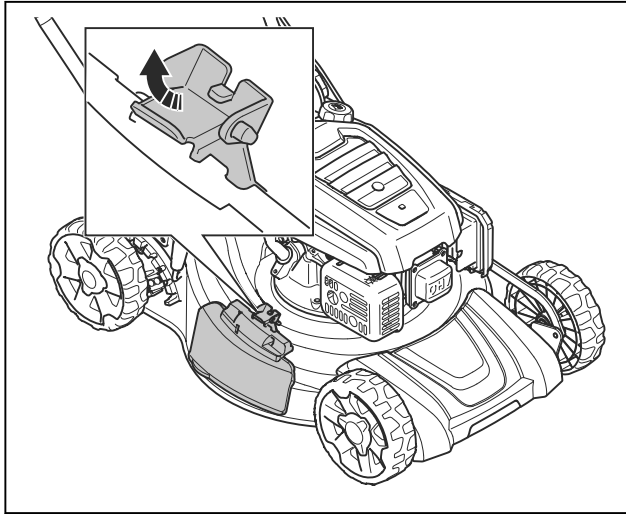
3. Fermer le couvercle arrière et s'assurer qu'il est bien fermé contre le déflecteur de broyage.

**Remarque** : Pour augmenter le rendement du mode broyage, remplacer la lame par une lame de broyage. Reportez-vous à la section *Pour remplacer la lame à la page 31*

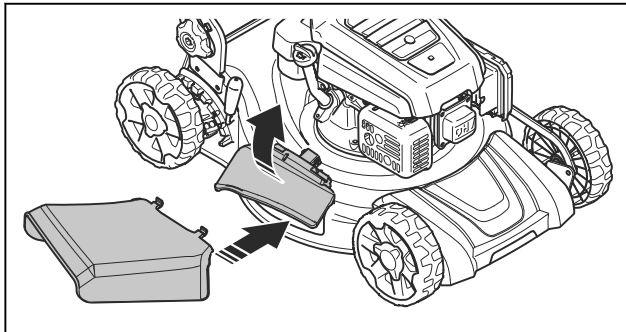
## Pour faire passer le produit en mode décharge latérale

1. Lever le couvercle arrière et retirer le sac à herbe s'il est installé.
2. Fermer le couvercle arrière et s'assurer qu'il est bien fermé contre le produit.

3. Soulever le verrou de décharge.

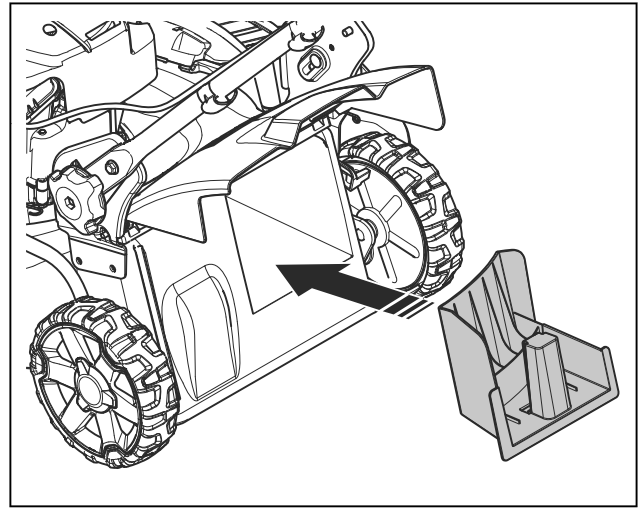


4. Ouvrir le couvercle de décharge latéral et installer le déflecteur sur les tiges de support.



5. Laisser le couvercle de décharge latéral retomber sur le déflecteur. S'assurer que le déflecteur de décharge latérale est fermement en place avant d'utiliser le produit.

**Remarque :** Pour augmenter le rendement en mode de décharge latérale, installer le bouchon de broyage.

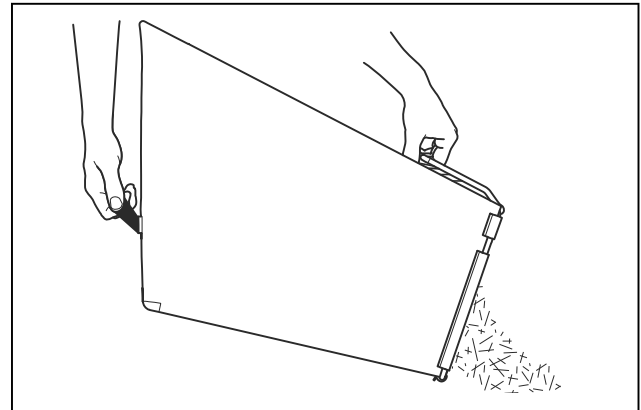


## Pour vider le collecteur d'herbe



**MISE EN GARDE :** Soulever le collecteur d'herbe lorsque vous le déplacez pour éviter toute usure.

1. Soulever le collecteur d'herbe à l'aide de la poignée du châssis.
2. Utiliser la poignée du cadre et la poignée du sac lorsque vous videz le collecteur d'herbe.



## Pour obtenir un bon résultat

- Toujours utiliser une lame affûtée. Une lame émoussée donne un résultat aléatoire et rend la surface de coupe de l'herbe jaune. Une lame affûtée utilise moins d'énergie qu'une lame émoussée.
- Ne pas couper plus de la moitié de la longueur de l'herbe. Régler la hauteur de coupe à la position la plus élevée pour commencer. Examiner le résultat et abaisser la hauteur de coupe sur un niveau applicable. Si l'herbe est très longue, travailler lentement et effectuer deux passages au besoin.
- Couper dans des directions différentes à chaque fois pour éviter la formation de rayures sur le gazon.
- Soulever le couvercle arrière et retirer le collecteur d'herbe.

- Si un déflecteur de broyage et une lame de broyage sont fixés, les retirer.
- Fermer le couvercle arrière avant d'utiliser le produit. Lors de l'utilisation du produit, l'herbe coupée est déchargée sous le couvercle arrière.
- Garder le couvercle de l'unité de coupe propre. L'accumulation de gazon et de saleté sur le côté intérieur du couvercle de l'unité de coupe peut diminuer le résultat de la coupe. Se reporter à *Pour nettoyer la surface interne du carter de coupe à la page 31.*

## Entretien

### Introduction



**AVERTISSEMENT :** Avant d'effectuer des travaux d'entretien, vous devez lire et comprendre le chapitre sur la sécurité.

Une formation spécifique est nécessaire pour effectuer tous les travaux d'entretien et de réparation du produit. Nous garantissons qu'il vous est possible d'obtenir des services de réparation et d'entretien effectués par des professionnels. Contactez votre atelier d'entretien Husqvarna.

Pour des informations plus détaillées, reportez-vous à [www.husqvarna.com](http://www.husqvarna.com).

### Calendrier d'entretien



**MISE EN GARDE :** S'assurer que le filtre à air est orienté vers le haut et non contre le sol lorsqu'on incline le produit. Risque de dommages au moteur.

La fréquence d'entretien est calculée sur la base d'une utilisation quotidienne. Les intervalles changent si le produit n'est pas utilisé tous les jours.

En ce qui concerne les éléments d'entretien marqués d'un \*, voir les instructions à *Dispositifs de sécurité sur le produit à la page 23.*

Entretien	Quotidien	Mensuel	Chaque saison
Effectuer une inspection générale	X		
Vérifier le niveau d'huile	X		
Vidanger l'huile (la première fois après 5 h d'utilisation, puis toutes les 50 h d'utilisation) <sup>6</sup>			X
Nettoyer le produit.	X		
Examiner l'équipement de coupe	X		
Examiner le carter de coupe *	X		
Examiner la poignée de frein moteur *	X		
Examiner le silencieux *		X	
Vérifier la bougie d'allumage. Remplacer ou nettoyer la bougie d'allumage au besoin.			X
Vérifier le filtre à air.	X		
Nettoyer le filtre à air <sup>7</sup>		X	
Remplacer le filtre à air			X
Examiner le système de carburant			X
Nettoyer les ailettes de refroidissement du cylindre		X	

<sup>6</sup> Si le produit est utilisé avec une charge lourde ou à des températures ambiantes élevées, remplacer l'huile moteur toutes les 25 heures.

<sup>7</sup> Nettoyer plus souvent si les conditions sont poussiéreuses ou s'il y a présence de débris en suspension. Remplacer le filtre à air s'il est très sale.

Entretien	Quotidien	Mensuel	Chaque saison
Examiner et régler les câbles d'embrayage			X

## Pour effectuer une inspection générale

- S'assurer que tous les écrous et toutes les vis sur le produit sont serrés correctement.

## Nettoyage de l'extérieur du produit

- Utiliser une brosse pour enlever les feuilles, l'herbe et la saleté.
- S'assurer que la prise d'air sur le dessus du moteur n'est pas obstruée.
- Ne pas utiliser de nettoyeur à haute pression pour nettoyer la tondeuse.
- Si de l'eau est utilisée pour nettoyer le produit, ne pas rincer directement le moteur.

## Pour nettoyer la surface interne du carter de coupe

1. Vider le réservoir de carburant.
2. Incliner le produit. S'assurer que la bougie d'allumage pointe vers le haut.



**MISE EN GARDE :** Si le produit est placé avec le filtre à air vers le bas, le moteur risque d'être endommagé.

3. Rincer à l'eau la surface interne du carter de coupe.

## Pour examiner l'équipement de coupe



**AVERTISSEMENT :** Pour éviter tout démarrage accidentel, retirer le câble d'allumage de la bougie.



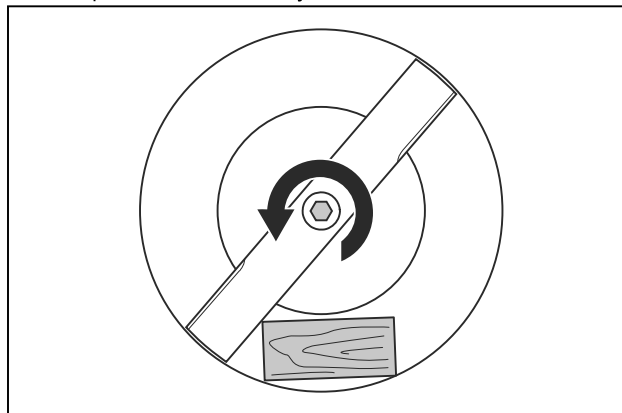
**AVERTISSEMENT :** Utiliser des gants de protection lors des opérations d'entretien sur l'équipement de coupe. La lame est très affûtée et des coupures peuvent se produire facilement.

1. Examiner l'équipement de coupe pour détecter les éventuels dommages ou fissures. Toujours remplacer les équipements endommagés.
2. Regarder la lame pour voir si elle est endommagée ou émoussée.

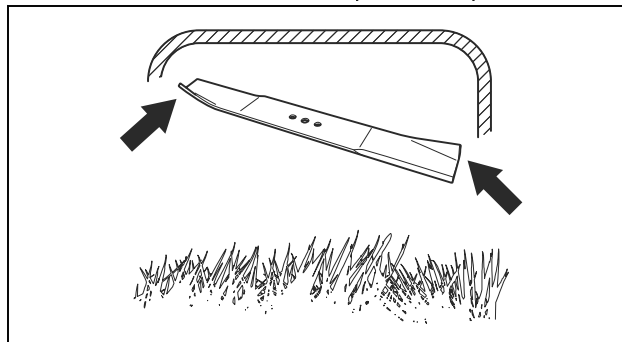
**Remarque :** Il est nécessaire d'équilibrer la lame après l'avoir affûtée. Demander à un centre d'entretien d'affûter, de remplacer et d'équilibrer la lame. Si on frappe un obstacle qui occasionne l'arrêt du produit, remplacer la lame endommagée. Demander au centre d'entretien d'estimer si la lame peut être affûtée ou si elle doit être remplacée.

## Pour remplacer la lame

1. Bloquer la lame au moyen d'un bloc de bois.

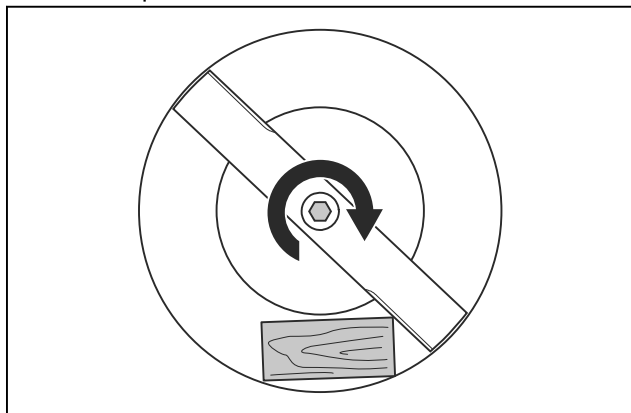


2. Retirez le boulon de lame et la rondelle ressort.
3. Retirer la lame.
4. Examinez le support de lame et le boulon de lame pour voir s'ils sont endommagés.
5. Examiner l'arbre du moteur pour s'assurer qu'il n'est pas plié.
6. Lorsque vous fixez la nouvelle lame, orientez le tranchant en direction du capot de coupe.



7. S'assurer que la lame est alignée avec le centre de l'arbre du moteur.

8. Bloquer la lame au moyen d'un bloc de bois. Fixez la rondelle ressort, puis serrez le boulon et la rondelle à un couple de 43 – 47 Nm.



9. Tirer la lame à la main pour s'assurer qu'elle tourne librement.



**AVERTISSEMENT** : Porter des gants robustes. La lame est très tranchante et des coupures peuvent survenir facilement.

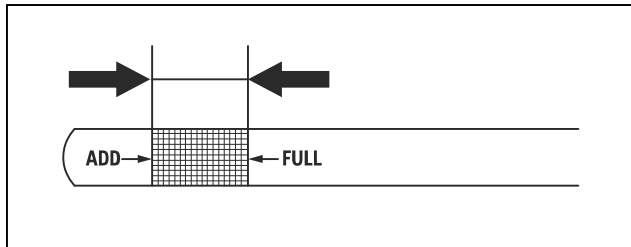
10. Démarrer l'outil pour effectuer un test de la lame. Si la lame n'est pas correctement fixée, le produit produira des vibrations ou des résultats de coupe insatisfaisants.

## Pour vérifier le niveau d'huile



**MISE EN GARDE** : Un niveau d'huile trop bas peut endommager le moteur. Contrôlez le niveau d'huile avant de démarrer le produit.

1. Placez le produit sur un sol plat.
2. Retirez le bouchon du réservoir d'huile et la jauge qui y est fixée.
3. Nettoyez l'huile sur la jauge.
4. Insérez entièrement la jauge dans le réservoir d'huile. Fixez le bouchon du réservoir d'huile.
5. Déposez le bouchon du réservoir d'huile et la jauge.
6. Inspectez le niveau d'huile sur la jauge.
7. Si le niveau d'huile est bas, faites l'appoint d'huile moteur et contrôlez à nouveau le niveau d'huile.



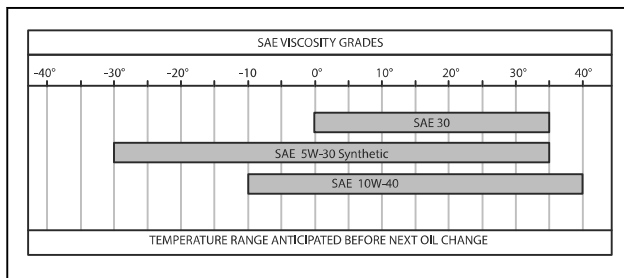
**Remarque** : Utilisez un entonnoir pour éviter tout déversement.

8. Posez le bouchon du réservoir d'huile lorsque le niveau d'huile est correct.

## Pour remplacer l'huile moteur



**AVERTISSEMENT** : L'huile moteur est très chaude juste après l'arrêt du moteur. Laissez le moteur refroidir avant de vidanger l'huile moteur. Si vous renversez de l'huile moteur sur votre peau, nettoyez avec de l'eau et du savon.



Faites fonctionner le produit jusqu'à ce que le réservoir de carburant soit vide.

1. Débranchez le câble d'allumage de la bougie.
2. Retirez le bouchon du réservoir d'huile.
3. Vidangez l'huile moteur.
  - a) Si vous disposez d'une pompe à huile (accessoire) : utilisez la pompe à huile pour vider le réservoir d'huile.
  - b) Pour les modèles équipés d'un bouchon de vidange d'huile : placez un récipient sous le bouchon de vidange d'huile pour recueillir l'huile moteur. Retirez le bouchon de vidange d'huile et inclinez le produit pour vider le réservoir d'huile.
  - c) Pour les modèles sans bouchon de vidange d'huile : placez un récipient sous le produit pour recueillir l'huile moteur. Ouvrez le bouchon du réservoir d'huile et inclinez le produit pour vider le réservoir d'huile.
4. Faites l'appoint avec de l'huile moteur neuve du type recommandé dans la section *Caractéristiques techniques* à la page 37.
5. Contrôlez le niveau d'huile. Reportez-vous à la section *Pour vérifier le niveau d'huile* à la page 32.

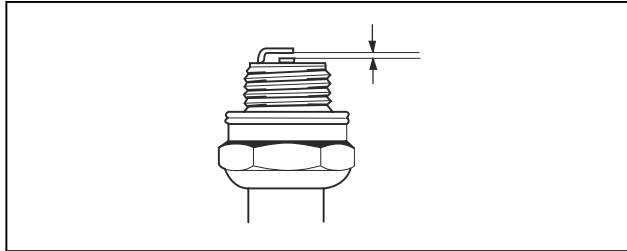
## Pour vérifier la bougie d'allumage



**MISE EN GARDE** : Toujours utiliser une bougie d'allumage du type recommandé. Une bougie d'allumage de type inapproprié peut endommager le produit.

- Examiner la bougie d'allumage si le moteur manque de puissance, démarre difficilement ou ne fonctionne pas correctement au régime de ralenti.

- Afin de réduire le risque de matériau indésirable sur les électrodes de la bougie, respecter les consignes suivantes :
  - a) Assurez-vous que le régime de ralenti est correctement réglé.
  - b) Vérifier que le mélange de carburant est correct.
  - c) Vérifier que le filtre à air est propre.
- Si la bougie d'allumage est sale, la nettoyer et s'assurer que l'écartement des électrodes est correct, se reporter à la section *Données techniques à la page 37*.



- Remplacez la bougie si nécessaire.

## Filtre à air

Un filtre à air sale peut endommager le moteur ou provoquer son dysfonctionnement. Effectuez l'entretien du filtre à air plus fréquemment en cas d'utilisation en conditions poussiéreuses. Se reporter à la section *Entretien à la page 30* pour plus d'information sur la fréquence de remplacement du filtre à air.

**Remarque :** Remplacez toujours le filtre à air s'il est endommagé.

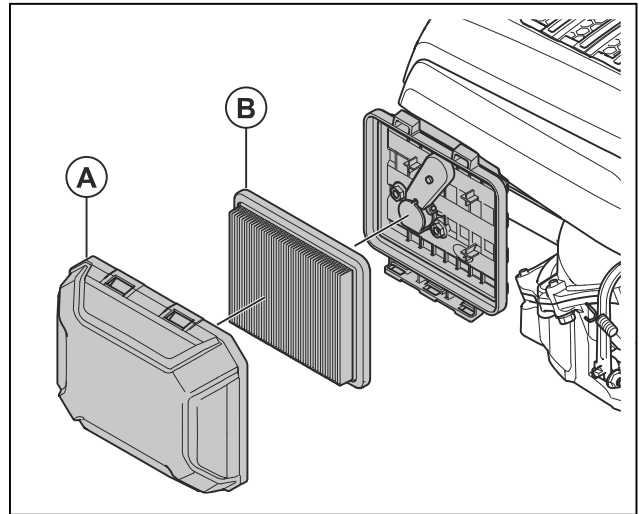
### Pour retirer et installer le filtre à air



**AVERTISSEMENT :** Porter des gants de protection.

1. Pousser sur les clips du couvercle de filtre à air.
2. Retirer avec précaution le couvercle de filtre à air (A) du moteur.

3. Retirer le filtre à air (B).



4. Vérifier le filtre à air pour détecter des dommages. Toujours remplacer un filtre à air endommagé.
5. Nettoyer et vérifier le filtre à air. Se reporter à *Nettoyage du filtre à air à la page 33*.
6. Effectuer l'installation dans l'ordre inverse.

## Nettoyage du filtre à air

Un filtre à air sale peut endommager le moteur ou provoquer son dysfonctionnement. Effectuez l'entretien du filtre à air plus fréquemment en cas d'utilisation en conditions poussiéreuses.

Se reporter à la section *Entretien à la page 30* pour plus d'information sur la fréquence de remplacement du filtre à air.

1. Retirez le couvercle du filtre à air et le filtre.
2. Nettoyez le filtre en le frappant contre une surface plane. N'utilisez pas de diluant avec de l'essence, du kérosène ou de l'air comprimé pour nettoyer le filtre.

**Remarque :** Les filtres à air en fonctionnement pendant une longue période ne peuvent pas être nettoyés complètement. Remplacez le filtre à air à intervalles réguliers. Les filtres à air endommagés doivent toujours être remplacés.

3. Lors de l'assemblage du filtre à air, veillez à assurer une bonne étanchéité entre celui-ci et le support du filtre.

## Contrôle du déflecteur d'éjection latérale

Le déflecteur d'éjection latérale est fixé à l'ouverture d'éjection latérale du produit. Il réduit les risques de projection d'objets vers la position de tonte de l'opérateur.

1. Assurez-vous que le déflecteur d'éjection latérale n'est pas endommagé.

2. Examinez le déflecteur d'éjection latérale. Assurez-vous qu'aucun dommage n'est présent, tels que des fissures ou des ressorts cassés qui entraînent une fermeture forcée du capot.
3. Remplacez le déflecteur d'éjection latérale ou les ressorts s'ils sont endommagés.

## Pour examiner le circuit d'alimentation en carburant

- Examiner le bouchon du réservoir de carburant et son joint pour s'assurer qu'il n'y a pas de dommages.
- Examiner le tuyau à carburant pour s'assurer qu'il n'y a pas de fuite. Si le tuyau à carburant est endommagé, le faire remplacer par un atelier spécialisé.

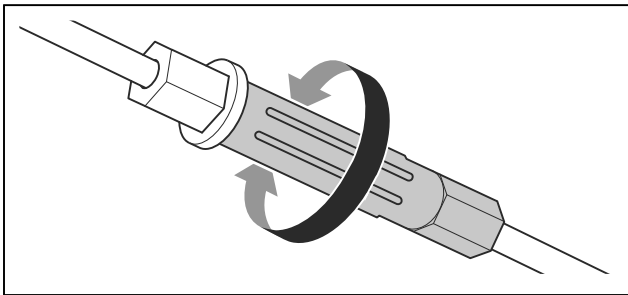
## Pour régler le câble d'embrayage (LC 151S)

Dans les situations suivantes, il est nécessaire de réduire la longueur du câble d'embrayage :

- L'entraînement des roues ne s'engage pas lorsque l'on tire sur la barre d'entraînement ou sur le levier de régulation du régime.
- Le produit se déplace lentement lorsque l'entraînement des roues est engagé.

Dans les situations suivantes, il est nécessaire d'augmenter la longueur du câble d'embrayage :

- Le produit se déplace lorsque l'entraînement des roues n'est pas engagé.
- Ajuster la longueur du câble d'embrayage.
  - a) Pour réduire la longueur du câble d'embrayage, tourner la vis de réglage dans le sens antihoraire.
  - b) Pour augmenter la longueur du câble d'embrayage, tourner la vis de réglage dans le sens horaire.



Si le produit continue à se déplacer de manière insatisfaisante après le réglage, communiquer avec votre centre de services

## Vidange du réservoir de carburant

1. Placez un récipient sous le réservoir de carburant.
2. Retirez le bouchon du réservoir de carburant.
3. Poussez les colliers de serrage sur le tuyau à carburant contre le carburateur.

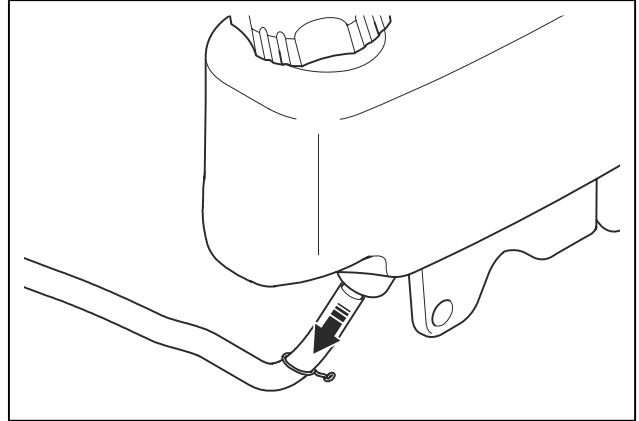
4. Retirez le tuyau de carburant du carburateur.
5. Placez le flexible du réservoir de carburant dans le récipient et retirez les colliers de serrage.
6. Inclinez le produit et vidangez le carburant dans le récipient.

## Pour remplacer le filtre à carburant

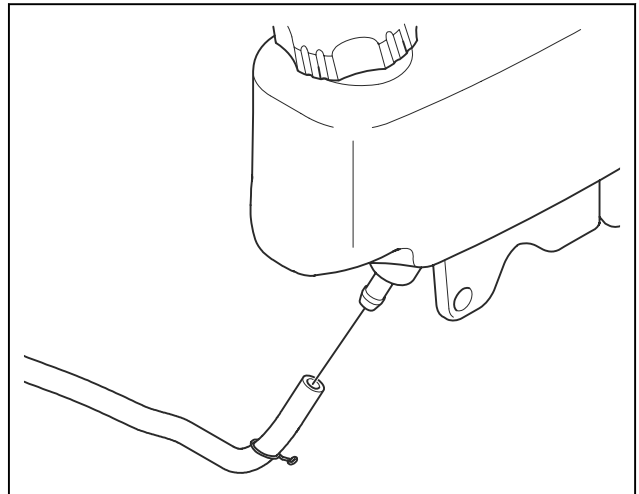


**AVERTISSEMENT** : utilisez des gants de protection.

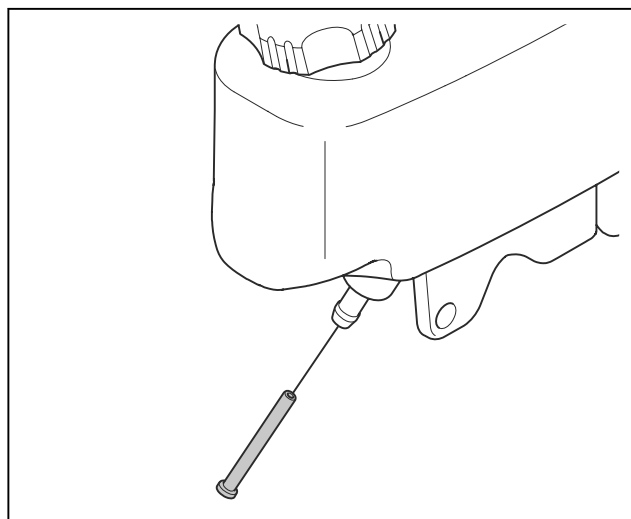
1. Videz le réservoir de carburant.
2. Écartez le collier de durite du réservoir de carburant.



3. Retirez les tuyaux à carburant du réservoir de carburant. Une petite quantité de carburant peut s'écouler.



4. Retirez le filtre à carburant du réservoir de carburant.



5. Montez un filtre à carburant neuf dans le réservoir de carburant.

6. Fixez le tuyau à carburant sur le réservoir de carburant.

7. Mettez le collier de tuyau en place contre le réservoir de carburant.

## Dépannage moteur

Problème	Cause possible	Solution
Le moteur ne démarre pas.	Le câble d'allumage n'est pas branché correctement.	Branchez le câble d'allumage à la bougie.
	Le réservoir de carburant est vide.	Remplissez le réservoir de carburant avec le carburant adéquat.
	Le carburant est vieux.	Vidangez le réservoir de carburant et le carburateur. Faites le plein d'essence propre.
	Il y a des saletés dans le carburateur ou dans la durite de carburant.	Nettoyez le carburateur et/ou la durite de carburant.
	La bougie est endommagée.	Réglez l'écartement des électrodes, nettoyez ou remplacez la bougie.
	Présence de carburant sur la bougie.	Nettoyer la bougie d'allumage.
Le moteur ne s'arrête pas.	La mécanique d'arrêt ne fonctionne pas correctement.	Débranchez le câble d'allumage de la bougie. Faites réparer le produit par un atelier de réparation homologué.
Le moteur ne fonctionne pas correctement.	Le câble d'allumage n'est pas branché correctement.	Branchez le câble d'allumage à la bougie.
	Des saletés sont présentes dans la durite de carburant ou le carburant a expiré.	Nettoyez la durite de carburant. Remplissez le réservoir de carburant avec du carburant neuf adéquat.
	Le bouchon du réservoir de carburant est colmaté.	Nettoyez le bouchon du réservoir de carburant.
	De l'eau ou de la saleté sont présentes dans le système de carburant.	Videz le réservoir de carburant. Remplissez le réservoir de carburant avec du carburant neuf adéquat.
	Le filtre à air est sale.	Nettoyez le filtre à air.
	Le carburateur doit être réglé.	Laissez un atelier d'entretien régler le carburateur.

Problème	Cause possible	Solution
Le moteur devient trop chaud.	Le niveau d'huile moteur est trop bas.	Faites l'appoint en huile moteur.
	Le débit d'air est insuffisant.	Nettoyez le filtre à air et le boîtier du filtre à air.
	Le carburateur doit être réglé.	Laissez un atelier d'entretien régler le carburateur.
Des ratés proviennent du moteur lorsqu'il fonctionne à grande vitesse.	L'écartement des électrodes dans la bougie est trop petit.	Réglez l'écartement des électrodes.
Bruits inhabituels du moteur en charge normale.	Type d'essence incorrect.	Vidangez le réservoir de carburant et le carburateur. Faites le plein d'essence propre. Reportez-vous à la section <i>Faire le plein à la page 27</i> . Si le problème persiste, contactez votre atelier d'entretien local.
Le moteur ne fonctionne pas correctement lorsqu'il tourne au régime de ralenti.	La bougie est sale, endommagée ou l'écartement des électrodes est trop grand.	Ajustez l'écartement des électrodes ou remplacez la bougie.
	Le carburateur doit être réglé.	Réglez le carburateur.
	Le filtre à air est sale.	Nettoyez le filtre à air.

---

## Transport, entreposage et mise au rebut

---

### Transport et entreposage

- Pour le stockage et le transport du produit et du carburant, s'assurer qu'il n'y a pas de fuite ou de vapeur. Les étincelles ou les flammes nues, par exemple avec des appareils électriques ou des chaudières, peuvent démarrer un incendie.
- Utiliser toujours des contenants agréés pour entreposer ou transporter le carburant.
- Vider le réservoir de carburant avant de ranger le produit pour une période prolongée. Mettre au rebut le carburant à un emplacement de mise au rebut adéquat
- Immobiliser le produit en sécurité pendant le transport pour éviter tout dommage ou accident.
- Garder le produit dans un endroit verrouillé hors de portée des enfants et des personnes non autorisées.
- Conserver le produit dans un endroit sec à l'abri du gel.

- Lorsqu'on n'utilise plus le produit, l'envoyer à un détaillant Husqvarna ou le mettre au rebut à un emplacement de recyclage.

### Mise au rebut

- Respecter les exigences locales en matière de recyclage et la réglementation en vigueur.
- Mettre au rebut tous les produits chimiques, tel que le moteur d'huile ou de carburant, dans un centre de service ou à un emplacement de mise au rebut adéquat.

## Données techniques

### Caractéristiques techniques

	LC 151	LC 151S
<b>Moteur</b>		
Marque	Husqvarna	Husqvarna
Type de moteur	Un cylindre, 4 temps, refroidissement par air forcé, OHV	Un cylindre, 4 temps, refroidissement par air forcé, OHV
Cylindrée, cm <sup>3</sup>	166	166
Vitesse du moteur – nominale, tr/min (tours par minute)	2 800/min	2 800/min
Puissance nominale du moteur, kW <sup>8</sup>	2,7	2,7
<b>Système d'allumage</b> <sup>9</sup>		
Bougie d'allumage	Husqvarna HQT-7 / bougie F7RTC	Husqvarna HQT-7 / bougie F7RTC
Écartement des électrodes, mm	0,7-0,8	0,7-0,8
<b>Circuits d'alimentation et de lubrification</b>		
Type de lubrification du moteur	Éclaboussures	Éclaboussures
Capacité du réservoir de carburant, L	1,0	1,0
Capacité du réservoir d'huile, en litres	0,5	0,5
Huile moteur <sup>10</sup>	SAE 30	SAE 30
<b>Poids</b>		
Réservoirs vides, en kg	29,9	31,6
<b>Équipement de coupe</b>		
Hauteur de coupe, mm	25-75	25-75
Largeur de coupe, mm	510	510
Système de coupe	Collecte / BioClip® / éjection latérale	Collecte / BioClip® / éjection latérale
Lame - standard	Ramassage 598562601.	Ramassage 598562601.

<sup>8</sup> La puissance nominale du moteur indiquée est la sortie moyenne nette (à un tour par minute spécifié) d'un moteur de production typique du modèle de moteur, mesurée selon la norme SAE J1349/ISO1585. Les moteurs de production en série peuvent varier de cette valeur. La puissance de sortie réelle du moteur installé sur le produit final dépend de la vitesse de fonctionnement, des conditions environnementales et d'autres valeurs.

<sup>9</sup> Ce système d'allumage est conforme à la norme canadienne ICES-002.

<sup>10</sup> Utilisez de l'huile moteur de qualité API SJ ou supérieure. Si l'huile SAE-30 est utilisée à une température inférieure à +5 °C, elle risque de ne pas lubrifier suffisamment le moteur. Cela peut endommager le moteur. Reportez-vous à la section *Pour remplacer l'huile moteur à la page 32* afin de connaître l'huile appropriée pour les basses températures. Reportez-vous au tableau de viscosité pour sélectionner la viscosité la mieux adaptée en fonction de la température extérieure anticipée.

	<b>LC 151</b>	<b>LC 151S</b>
Lame - accessoire	Broyage 597683901	Broyage 597683901
Capacité du collecteur d'herbe, litres	65	65
<b>Entraînement</b>		
Vitesse de marche, km/h	–	3,6





[www.husqvarna.com](http://www.husqvarna.com)

Original instructions  
Instructions d'origine

1144874-32



2025-12-11