

BENCHMARKTM MC

ELECTRIC 3-IN-1 BLOWER/VAC/MULCHER



Item # 5124-063

LIMITED
5 YEAR*
WARRANTY

5 Year Limited Warranty on tool



Intertek
5002690
GY8900

**READ ALL INSTRUCTIONS BEFORE FIRST USE.
KEEP THIS MANUAL FOR FUTURE REFERENCE.
KEEP AWAY FROM CHILDREN.
SEE NEXT PAGE FOR CRITICAL TOOL RELATED
PRECAUTIONS.**



**WEAR CSA APPROVED
EYE PROTECTION**



**WEAR EAR
PROTECTION**



**WEAR A
FACE MASK**

PRODUCT SPECIFICATIONS

ELECTRIC 3-IN-1 BLOWER/VAC/MULCHER

Voltage	120V ~ 60Hz
Motor	12 AMP
No load speed	11500-15500 rpm
Impeller	Plastic with steel blade
Air speed max	180 MPH (290 km/h)
Vacuum air flow max	530 CFM (15 m ³ /min)
Mulch reduction ratio	15:1
Mode conversion	Blower to mulching vacuum
Bag capacity	45L (12 gal)
Tool operating weight	4kg (8.8lbs)

CRITICAL TOOL RELATED PRECAUTIONS

- Do not use the tool in vacuum function over gravel as this can cause several issues:
 - a. Damage to the tool: Gravel can clog or damage the tool's motor and internal components, as small stones or debris might get sucked into the machine, leading to blockages or wear and tear and damage to the collection bag.
 - b. Ineffective Vacuuming: Gravel is too heavy and large for the vacuum to handle efficiently, meaning it won't be sucked up properly and could get stuck in the hose or collection bag.
 - c. Injury or Damage to Surroundings: The tool's suction could pull up rocks that might be ejected with force, posing a risk of injury to people, pets, or damage to nearby plants or structures.
- To avoid these issues, only use the vacuum function on softer surfaces like grass or mulch, where it's more effective and less likely to cause damage.

READ ALL SAFETY, WARNING, PRECAUTIONS AND MAINTENANCE INFORMATION PROVIDED IN THIS MANUAL.

EXTENSION CORD SAFETY

STOP! When using an extension cord (**NOT INCLUDED**) with your electric tool refer to the following table to determine the required AWG wire size. Before using your tool make sure the power cord and extension cord are in good working conditions. Make repairs or replacements before using the tool. Only use extension cords that are rated for outdoor use.

⚠ WARNING: Consult the extension guide table to ensure the correct extension cord is used with the tool. Use of an extension cord that is insufficiently rated for the tool may result in tool under-performance, overheating, fire, and tool failure.

⚠ WARNING: Keep the extension cord clear of the working area. Position the cord so that it will not get caught on the workpiece, tools or any other obstructions while you are working with the power tool.

Make sure any extension cord used with this tool is in good condition. When using an extension cord, be sure to use one of heavy enough gauge to carry the current the tool will draw. An undersized cord will cause a drop in voltage resulting in loss of power and overheating.

The table below shows the correct size to use according to cord length and name plate ampere rating. If in doubt, use the next heavier gauge. The smaller the gauge number, the heavier the cord.

Be sure your extension cord is properly wired and in good condition. Always replace a damaged extension cord or have it repaired by a qualified electrician before using it. Protect your extension cord from sharp objects, excessive heat and damp or wet areas.

Use a separate electrical circuit for your power tools. This circuit must not be less than 14 gauge wire and should be protected with either a 15AMP time delayed fuse or circuit breaker. Before connecting the power tool to the power source, make sure the switch is in the OFF position and the power source is the same as indicated on the nameplate. Running at lower voltage will damage the motor.

120V OUTDOOR GRADE EXTENSION CORD LENGTH & GAUGE GUIDE

Outdoor Rated		Total length			
More than	Not more than	25' /7.5 m	50' /15 m	100' /30 m	150' /45 m
0	6A	18	16	16	14
6A	10A	18	16	14	12
10A	12A	16	16	14	12
13A	16A	14	12	Not Applicable	

NOTE: Bolded values are recommendations for this tool.

To reduce the risk of disconnect of tool from the extension cord during operation, make a knot as shown in Fig. 1A

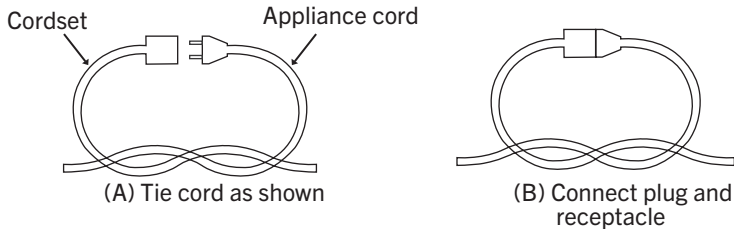


FIG. 1A

⚠ WARNING: Use a plug receptacle retaining strap to ensure a proper connection and to ensure there is no strain on the connection. A poor or strained connection can lead to sparking, voltage drop and damage to the tool, overheating, intermittent tool operation, and fire.

Avoid unintentional starting - Turn off the power switch and disconnect the power cord before making any adjustments to the unit and before inspecting, servicing, changing accessories or cleaning.

Handle cord carefully- Never pull electric tool by cord or yank it to disconnect from the power source. Keep cord away from heat, oil, and sharp edges.

Don't force electric tool- it will do the job better and with less likelihood of a risk of injury at the rate for which it was designed.

Don't overreach- Keep proper footing and balance at all times.

Stay Alert- Watch what you are doing. Use common sense. Do not operate tool when you are tired or under the influence of alcohol, drugs, or medications that cause drowsiness.

Disconnect electric tool - Disconnect the electric tool from the power supply when not in use, before servicing, when changing accessories.

Keep guards in place.

Keep hands and feet away from moving parts.

NEED ASSISTANCE?

Call us on our toll-free customer support line:
1-866-349-8665 (Monday through Friday 9am – 5pm Eastern Standard Time)

- Technical questions
- Replacement parts
- Parts missing from package

TABLE OF CONTENTS

Product specifications1
Extension cord safety2-3
Table of contents4
General safety warnings5-8
Specific safety rules9-12
Symbols13
Know your electric 3-in-1 blower/vac/mulcher14
Assembly and operation15-23
Maintenance23
Troubleshooting24
Exploded view25
Parts List26-27
Warranty28

GENERAL SAFETY WARNINGS



IMPORTANT SAFETY INSTRUCTIONS









Read and understand all safety and operational instructions. Failure to follow the safety rules listed below and other basic safety precautions may result in serious personal injury. Keep this manual, sales receipts and applicable warranty forms for future reference.

⚠ WARNING: To avoid serious personal injury, do not attempt to use this product until you have read this instruction manual thoroughly and understand it completely. If you do not understand the warnings and instructions in this manual, do not use this product. Call 1-866-349-8665 for assistance. The operation of any power tool can result in foreign objects being thrown into your eyes, which can result in severe eye damage. Before beginning power tool operation, always wear safety goggles or safety glasses with side shields and when needed, a full-face shield. We recommend a wide vision safety mask for use over eyeglasses or standard safety glasses with eye shields. Always use eye protection which is marked to comply with ANSI Z87.1 or CSA requirements. Prescription glasses ARE NOT a replacement for proper eye protection.

Safety Symbols

The purpose of safety symbols is to alert you of the potential safety RISKS. Recognize and understand them. Follow the instructions provided.

 SYMBOL	MEANING
 DANGER	Failure to obey a DANGER safety alert WILL result in serious personal injury or death to you or to others. Always obey all messages following this symbol to reduce the risk of serious personal injury or death.
 WARNING	Failure to obey a WARNING safety alert MAY result in serious personal injury or death to you or to others. Always obey all messages following this symbol to reduce the risk of potential serious personal injury or death.
 CAUTION	Failure to obey a CAUTION safety alert MAY result in personal injury or property damage to you or to others. Always obey all messages following this symbol to reduce the risk of personal injury or property damage.
NOTICE  CAUTION	Failure to obey a NOTICE or a CAUTION (without a safety alert) MAY result in property damage to you or to others. Always obey all messages following this symbol to reduce the risk of property damage.

SYMBOL	MEANING
<p>⚠ DANGER</p>  	<p>ALWAYS WEAR EYE PROTECTION THAT CONFORMS WITH CSA Z94.3 or ANSI SAFETY STANDARD Z87.1</p> <p>FLYING DEBRIS can cause permanent eye damage. Prescription eyeglasses ARE NOT a replacement for proper eye protection. The usage of a safety standard compliant face shield placed over proper safety glasses or goggles can reduce the risk of facial injury.</p> <p>Non-compliant eyewear can cause serious injury if broken during the operation of a power tool.</p>
<p>⚠ WARNING</p> 	<p>Use hearing protection, particularly during extended periods of operation of the tool, or if the operation is noisy.</p>
<p>⚠ WARNING</p> 	<p>WEAR A DUST MASK THAT IS DESIGNED TO BE USED WHEN OPERATING A POWER TOOL IN A DUSTY ENVIRONMENT.</p>
<p>⚠ WARNING</p>   	<p>Always wear nonslip gloves that fit properly to protect your hands and to help you grip the tool.</p> <p>Always wear sturdy clothing with long sleeves and long pants. Never operate the tool while wearing shorts, short sleeve shirts or shirtless.</p> <p>Always wear nonslip safety boots to prevent foot injuries and slipping that could cause loss of control of the tool.</p>
<p>⚠ WARNING</p> 	<p>To avoid electrical hazards, fire hazards or damage to the tool, use proper circuit protection.</p> <p>This tool is wired at the factory for 120 V AC operations. It must be connected to a 120 V AC, 15 A circuit that is protected by a time-delayed fuse or circuit breaker. To avoid shock or fire, replace power cord immediately if it is worn, cut or damaged in any way.</p>

ELECTRIC GARDENING TOOL SAFETY

GENERAL SAFETY WARNINGS

⚠ WARNING: Read all safety warnings and all instructions. Failure to follow the warnings and instructions may result in electric shock, fire and/or serious injury.

Save all warnings and instructions for future reference.

The term "power tool" in the warnings refers to your mains-operated (corded) power tool or battery-operated (cordless) power tool.

1) Work area safety

- a) **Keep the work area clean and well lit.** Cluttered and dark areas invite accidents.
- b) **Do not operate electric tools in explosive atmospheres, for example in the presence of flammable liquids, gases or dust.** Electric tools create sparks that can ignite the dust or fumes.
- c) **Keep children and bystanders away while operating the tool.** Distractions can cause you to lose control of the tool.

2) Electrical safety

- a) **Power tool plugs must match the outlet. Never modify the plug in any way.** Do not use any adapter plugs with earthed (grounded) power tools. Unmodified plugs and matching outlets will reduce risk of electric shock.
- b) **Avoid body contact with earthed or grounded surfaces, such as pipes, radiators, ranges and refrigerators.** There is an increased risk of electric shock if your body is earthed or grounded.
- c) **Do not expose power tools to rain or wet conditions.** Water entering a power tool will increase the risk of electric shock.
- d) **Do not abuse the cord. Never use the cord for carrying, pulling or unplugging the power tool.** Keep cord away from heat, oil, sharp edges or moving parts. Damaged or entangled cords increase the risk of electric shock.
- e) **When operating a power tool outdoors, use an extension cord suitable for outdoor use.** Use of a cord suitable for outdoor use reduces the risk of electric shock.
- f) **If operating a power tool in a damp location is unavoidable, use a ground fault circuit interrupter (GFCI) protected supply.** Use of a GFCI reduces the risk of electric shock.

3) Personal safety

- a) **Stay alert, watch what you are doing and use common sense when operating a power tool.** Do not use a power tool while you are tired or under the influence of drugs, alcohol or medication. A moment of inattention while operating power tools may result in serious personal injury.
- b) **Use personal protective equipment. Always wear eye protection.** Protective equipment such as a dust mask, non-skid safety shoes, hard hat or hearing protection used for appropriate conditions will reduce personal injuries.

- c) **Prevent unintentional starting. Ensure the switch is in the off-position before connecting to power source and/or battery pack, picking up or carrying the tool.** Carrying power tools with your finger on the switch or energising power tools that have the switch on invites accidents.
 - d) **Remove any adjusting key or wrench before turning the power tool on.** A wrench or a key left attached to a rotating part of the power tool may result in personal injury.
 - e) **Do not overreach. Keep proper footing and balance at all times.** This enables better control of the power tool in unexpected situations.
- 4) Power tool use and care**
- a) **Do not force the power tool. Use the correct power tool for your application.** The correct power tool will do the job better and safer at the rate for which it was designed.
 - b) **Do not use the power tool if the switch does not turn it on and off.** Any power tool that cannot be controlled with the switch is dangerous and must be repaired.
 - c) **Disconnect the plug from the power source and/or remove the battery pack, if detachable, from the power tool before making any adjustments, changing accessories, or storing power tools.** Such preventive safety measures reduce the risk of starting the power tool accidentally.
 - d) **Store idle power tools out of the reach of children and do not allow persons unfamiliar with the power tool or these instructions to operate the power tool.** Power tools are dangerous in the hands of untrained users.
 - e) **Maintain power tools and accessories. Check for misalignment or binding of moving parts, breakage of parts and any other condition that may affect the power tool's operation. If damaged, have the power tool repaired before use.** Many accidents are caused by poorly maintained power tools.
 - f) **Keep cutting tools sharp and clean.** Properly maintained cutting tools with sharp cutting edges are less likely to bind and are easier to control.
 - g) **Use the power tool, accessories and tool bits etc. in accordance with these instructions, taking into account the working conditions and the work to be performed.** Use of the power tool for operations different from those intended could result in a hazardous situation.
 - h) **Keep handles and grasping surfaces dry, clean and free from oil and grease.** Slippery handles and grasping surfaces do not allow for safe handling and control of the tool in unexpected situations.
 - i) **Hold power tools by the insulated gripping surfaces when performing an operation where the cutting tool may contact hidden wiring or its own cord.** Contact with a "live" wire will make exposed metal parts of the tool "live" and shock the operator.

Service

Have your power tool or charger serviced by a qualified repair person using only identical replacement parts. This will ensure that the safety of the power tool or charger is maintained.

SPECIFIC SAFETY RULES

⚠️ WARNING: Know your electric 3-in-1 blower/vac/mulcher. Do not plug in the tool until you have read and understand this Instruction Manual. Learn the tool's limitations, as well as the general and specific potential hazards related to this tool. applications and Following these instructions will reduce the risk of electric shock, fire or serious injury.



Always wear appropriate eye protection. Any power tool can throw foreign objects into your eyes and cause permanent eye damage. Always wear appropriate safety goggles or properly fitted safety glasses that comply with the most recent version of ANSI Z87.1 safety standard. Ordinary vision or sunglasses generally do not provide adequate impact or side shield / wrap around penetration protection. Ordinary glasses ARE NOT safety glasses. To reduce the risk of injury to your face you should also wear a face shield over your safety goggles or safety glasses.

⚠️ WARNING: Glasses, goggles or face shields not in compliance with ANSI Z87.1 or CAN/CSA – Z94.3 could cause serious injury if they break upon impact.

⚠️ WARNING: Prevent foot injuries! Never operate when barefoot, or wearing open toed shoes, or sandals. Always, wear sturdy protective shoes or boots with nonslip soles when operating the electric 3-in-1 blower/vac/mulcher. Steel-toed safety boots are recommended.

⚠️ WARNING: Protect your hands by wearing heavy duty, non-slip gloves and to improve your grip and control when handling the electric 3-in-1 blower/vac/mulcher.

⚠️ WARNING: Clothing must be durable and snug fitting yet allow for freedom of movement.

⚠️ WARNING: Avoid loose clothing such as scarves, neckties, jewellery, flared or cuffed pants, loose-fitting shirts or jackets, unconfined long hair or anything that can be pulled into the air intake of the blower. Secure hair to above shoulder level. Wear long pants of durable material to protect your legs.

Cover as much of your body as possible to help protect you from debris and pieces of toxic and allergenic plants being thrown by the electric 3-in-1 blower/vac/mulcher.

⚠️ WARNING: Use hearing protection. Use hearing protection such as ear plugs or ear muffs to protect your hearing, particularly if the electric 3-in-1 blower/vac/mulcher is used for extensive periods or if the surrounding environment of operation exposes the operator to loud noises. When wearing hearing protection, you will have impaired ability to hear alarms, warnings and shouts from approaching people or approaching vehicles. Be extra diligent and observant of hazards and bystanders when wearing hearing protection devices. When someone approaches, turn the electric 3-in-1 blower/vac/mulcher OFF immediately.

⚠ WARNING: The high velocity of the air flow coming through the nozzle will throw objects and debris violently. These objects and debris will ricochet in all directions. You or bystanders can be blinded or injured. Keep children, bystanders, pets and other animals at least 50 feet (15 meters) away from the operating electric 3-in-1 blower/vac/mulcher. Turn the electric 3-in-1 blower/vac/mulcher OFF immediately if approached, or if you are approaching such bystanders. Bystanders should be encouraged to wear eye protection, even if they are kept at a distance.

Thrown objects may also ricochet and strike the operator or bystander.

⚠ WARNING: Utilize extra caution, when the electric 3-in-1 blower/vac/mulcher is being used near, or on paved or hard surfaces, as pieces of metal, concrete, brick, stones, gravel, sand, glass, sticks and other objects can be thrown at high speed and force and such objects can be thrown, skip along or ricochet long distances off of hard surfaces.

⚠ WARNING: Do not use this electric 3-in-1 blower/vac/mulcher for sweeping debris that may contain hard objects, e.g. pebbles, stones, sticks, glass, metal, etc. as such hard objects can be thrown with great force and cause injury to the operator or bystanders, and / or damage property, e.g., screens, windows, building siding, glass doors, or vehicles.

⚠ WARNING: Avoid operating the electric 3-in-1 blower/vac/mulcher near property that can be easily damaged by thrown or ricocheting objects such as screens, windows, building siding, glass doors and vehicles. Always wear breathing protection when operating the tool. Bystanders should be encouraged to wear breathing protection devices even if they are kept at a distance as hazardous dust can travel considerable distances, especially if the dust is windblown.

⚠ WARNING: Know what you are going to blow, before you use your electric 3-in-1 blower/vac/mulcher.

⚠ WARNING: Inspect the area to be cleared for hazards before each use. Remove any foreign objects such as sticks, rocks, broken glass, nails, wire, tools, toys, etc. which can be thrown by the electric 3-in-1 blower/vac/mulcher.

⚠ WARNING: If you are suspicious or uncertain if the material that you are considering blowing would cause hazardous dusts, first, identify and investigate the nature of the materials. If the materials have the potential to be hazardous, do not use the tool, instead, utilize other safe clean up procedures and disposal procedures. If you are suspicious that you have been blowing, vacuuming or mulching or come into contact with asbestos, or crystalline silica materials or hazardous chemical or biological materials, contact your doctor, your employer if your use of the electric 3-in-1 blower/vac/mulcher is job related, and the local EPA or OSHA representative immediately. Clean up and dispose of hazardous chemicals and substances prior to using the electric 3-in-1 blower/vac/mulcher, using appropriate clean up procedures, personal protective equipment and disposal methods.

⚠️ WARNING: Dust created by use of this product may contain chemicals known to the State of California and medical experts to cause cancer, respiratory injuries, birth defects or other reproductive harm. Some examples of these chemicals are:

- Compounds in fertilizers.
- Compounds in insecticides, herbicides and pesticides.
- Arsenic and chromium from chemically treated lumber.
- Commercial and household chemicals.

⚠️ WARNING: To reduce your exposure to these chemicals, wear approved safety equipment such as dust and / or vapour masks that are specifically designed to filter out microscopic particles or gaseous components. Additionally, dust created by this product may contain allergens, bacteria and viruses, PM 10 and / or PM 2.5 particulates, exposure to such hazardous airborne matter can be reduced by wearing approved safety equipment such as dust masks that are specifically designed to filter out the microscopic particles.

⚠️ WARNING: Breathing asbestos or dust with silica in its composition may contain hazardous crystalline silica. Silica is a fundamental component of sand, quartz, brick, clays, granite and many other materials and rocks, including masonry, concrete and cement products. Such crystalline silica dust is dangerous and must be avoided, as it can cause severe or fatal respiratory illness or cancer.

⚠️ WARNING: Avoid blowing/vacuumping/mulching near open windows or doors, or anywhere near bystanders or animals as doing such may cause exposure to the potentially hazardous dust, particularly downwind of your blowing operation due to the respiratory hazard reasons previously stated.

⚠️ WARNING: Do not work against the wind as the dust will blow back towards the operator increasing the exposure to the dust.

⚠️ WARNING: Keep the electric 3-in-1 blower/vac/mulcher below waist level and point the electric 3-in-1 blower/vac/mulcher below waist level.

⚠️ WARNING: Check the blower fan screen before each use to make sure the air intake screen and the fan are in good condition. If any damage is identified, replace the part immediately before using the electric 3-in-1 blower/vac/mulcher. A damaged fan may shatter and a damaged air intake screen will allow your fingers to be injured by the fan.

⚠️ WARNING: Never insert a foreign object such as a screwdriver, stick, etc. into the nozzle, air exhaust tube or the intake fan screen. Any foreign article that becomes lodged in the air system may be ejected at great speed causing serious injury when the electric 3-in-1 blower/vac/mulcher is turned ON. It may also severely damage the lower fan.

⚠ WARNING: Always unplug the tool before making adjustments, changing the nozzle, leaving the tool idle or unattended, cleaning, servicing, storing or transporting the tool. Such preventive measures reduce the risk of starting the tool accidentally and causing serious injury.

⚠ WARNING: Never modify the electric 3-in-1 blower/vac/mulcher in any way. The use of any other accessory or modifying the tool may create a safety hazard. This action will also void the warranty.

⚠ WARNING: Always keep the handles clean. Handles that are covered with grease, chemicals or debris will make holding onto the blower difficult. Use a clean cloth dampened with soapy water to clean these surfaces. Never use a pressure washer, garden hose or any other liquid or chemical solvents to clean the electric 3-in-1 blower/vac/mulcher .

⚠ WARNING: When blowing very dusty materials in extremely dry conditions for long periods of time, static electricity may build up and discharge without warning. To avoid this situation in dry dusty conditions, only operate the blower for short periods of time and turning the electric 3-in-1 blower/vac/mulcher OFF at regular intervals.

⚠ WARNING: Maintain firm footing and balance at all times. Do not overreach or use the electric 3-in-1 blower/vac/mulcher from unstable surfaces such as ladders, trees, steep slopes, slippery surfaces, rooftops, etc. Always grasp the electric 3-in-1 blower/vac/mulcher using the handles on the machine. Use only in daylight or in good quality artificial light. Never use the electric 3-in-1 blower/vac/mulcher for anything other than its intended purpose. Use for anything else can be dangerous. It may also damage the electric 3-in-1 blower/vac/mulcher. Never walk backwards while the electric 3-in-1 blower/vac/mulcher is turned ON as you might trip and may not hear approaching persons or vehicles.

SYMBOLS

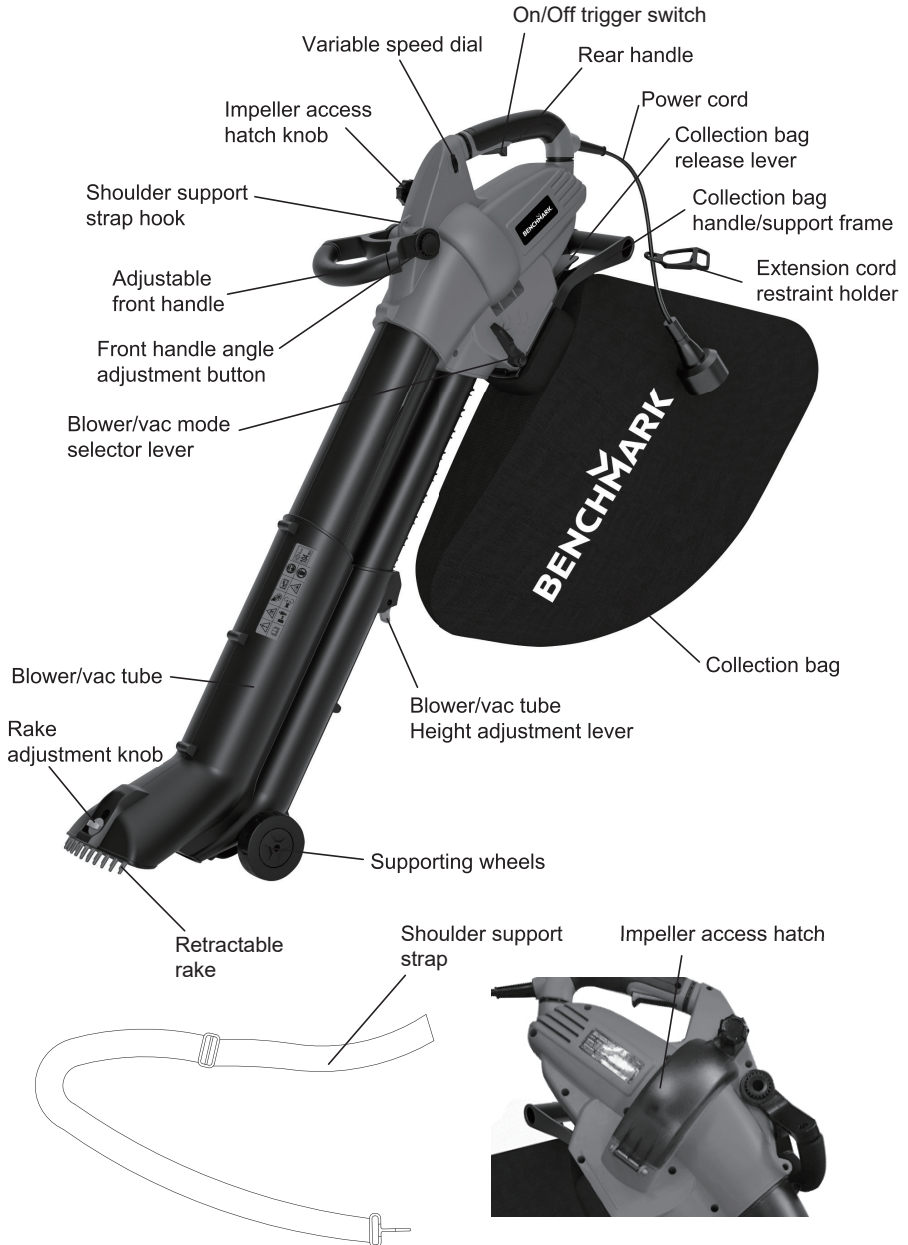
⚠ WARNING: Some of the following symbols may appear on the electric 3-in-1 blower/vac/mulcher. Study these symbols and learn their meaning. Proper interpretation of these symbols will allow for more efficient and safer operation of this tool.

Symbols	Descriptions	Symbols	Descriptions
	READ THE OPERATOR'S MANUAL(S) – Read, understand and follow all instructions in the user manual(s) before attempting to assemble and operate.		Keep bystanders and children a safe distance away.
	SAFETY ALERT – Indicates a precaution, a warning or a danger.		WARNING! Do not expose the unit to rain or wet conditions.
	Beware of flying objects and debris.		Wear hearing protection. Wear eye protection. Wear breathing protection.
	DANGER! Rotating blades pose a serious risk of injury. Keep hair, clothing, and all body parts away from the air intake or any openings. Secure hair above shoulders and behind head. Do not let your hair or clothing get drawn into the appliance. Failure to keep hair, clothing, or body parts away from air intake could result in personal injury.		The rotating part will continuously run for several seconds after you turn off the machine.
	Immediately remove the plug from the mains if the power cable is damaged, frayed or entangled. Always keep the power cable away from heat, oil and sharp edges.		WARNING! Turn the machine OFF and disconnect it from the power supply before inspecting, cleaning, changing accessories or conducting any other maintenance task.
	DOUBLE INSULATION – When servicing, use only identical replacement parts.		



This symbol designates that this tool is listed with U.S. requirements by ETL Testing Laboratories, Inc.
Conforms to UL 1017:2015 Ed.9
Certified to CSA C22.2#243:2015 Ed.5

KNOW YOUR ELECTRIC 3-IN-1 BLOWER/VAC/MULCHER



ASSEMBLY AND OPERATING

⚠ WARNING: To avoid serious personal injury, read and understand all safety instructions provided.

⚠ WARNING: Do not connect to power supply until assembly is complete. Failure to comply could result in accidental starting and possible serious personal injury.

SHOULDER SUPPORT STRAP FITTING + ADJUSTING

1. Clip the shoulder support strap to the strap hook on the top of the blower, as shown (Fig. 1).

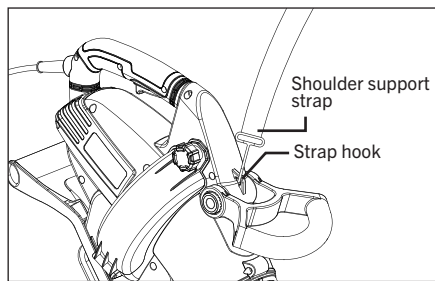


FIG. 1

2. To adjust the length of the strap, push it from one end to form a loop above, and let out as needed, then pull the strap from the other side to tighten (Figs. 2-3).

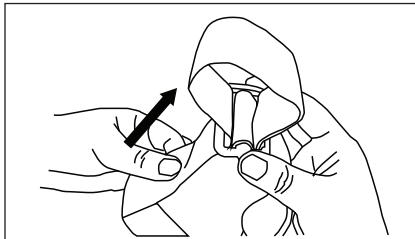


FIG. 2

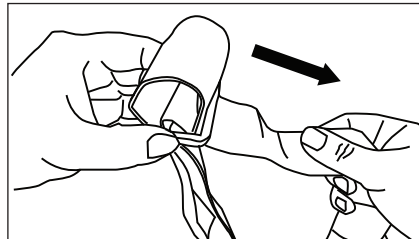
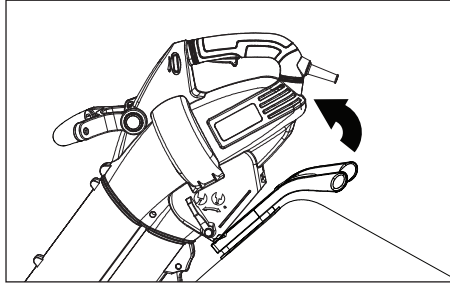


FIG. 3

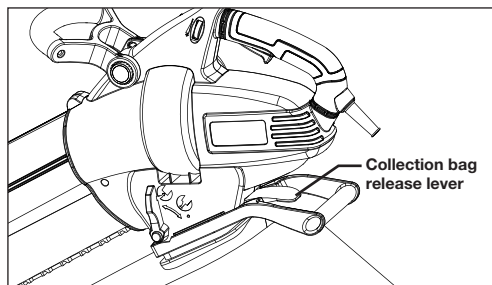
3. With machine on operator's right hand side, place shoulder strap across chest and over left shoulder.

COLLECTION BAG ASSEMBLY

1. Insert the collection bag release lever into the slot on the back bottom of the tool housing. The collection bag handle/support frame will "click" into position when properly fitted. (Fig. 4).

**FIG. 4**

2. To release the bag, simply press the collection bag release lever. (Fig.5).

**FIG. 5****BLOWER/VAC TUBE HEIGHT ADJUSTMENT**

The length of vacuum/blowing tube can be adjusted up to 30 cm (approx. 12") to fit various blow/vacuum distances. To adjust the length of the tube, follow the instruction below.

⚠ WARNING: To prevent serious personal injury, make sure the On/Off trigger switch is off, the unit is unplugged and the impeller has come to a complete stop when adjusting the tubes.

1. Press the blower/vac tube height adjustment lever and slide the vacuum/ blower tube up or down to desired length (Fig. 6).
2. Release the blower/vac tube height adjustment lever to lock into place.

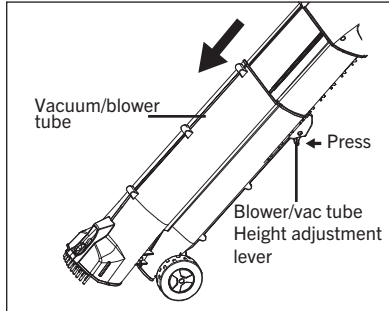


FIG. 6

FRONT HANDLE ADJUSTMENT

1. Press the front handle angle adjustment button located on the left side of the adjustable front handle, and adjust the handle angle as desired (Fig.7).
2. Release the front handle angle adjustment button and the front handle will lock into position automatically.

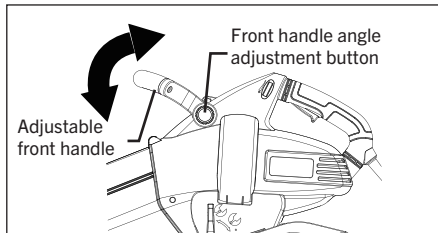


FIG. 7

RAKE ADJUSTMENT

The unit is equipped with a rake at the end of the blowing/ vacuuming tube. The rake can be retracted or extended with the rake adjustment knob. When the rake adjustment knob handle is in a vertical position, the rake is locked. When the rake adjustment knob is in the horizontal position, the rake can be retracted or extended (Fig.8). To use the rake, follow the instruction below.

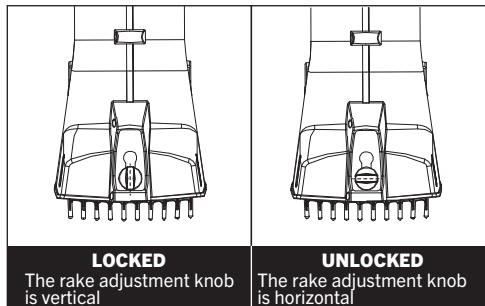


FIG. 8

1. Rotate the rake adjustment knob to unlock the rake, the knob will slide down and the rake will extend (Fig. 9).

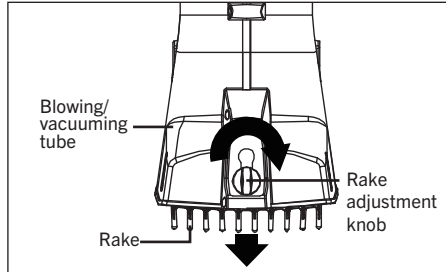


FIG. 9

2. To lock the rake, turn the rake adjustment knob to the vertical position (Fig. 10).

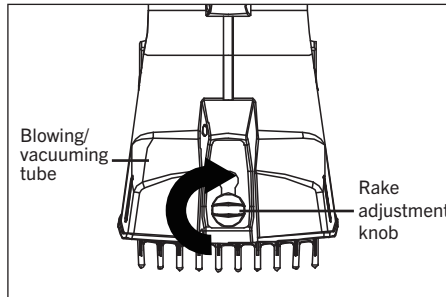


FIG. 10

3. To retract the rake, turn the rake adjustment knob to the horizontal position (Fig. 11). Pull the rake adjustment knob up until the rake is fully retracted back into the tube and then turn the rake adjustment knob to the vertical position to "lock".

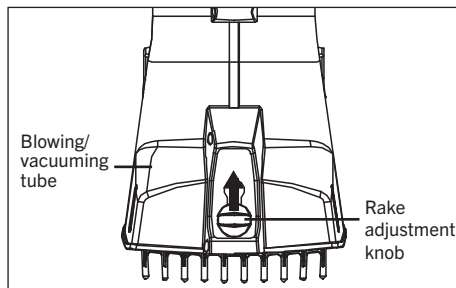


FIG. 11

TURNING THE BLOWER/VAC/MULCHER ON

⚠ WARNING: Ensure the tool is not in contact with anything before turning it on.

1. Secure the extension cord (not included) by using the extension cord restraint holder. Then plug the power cord into the extension cord (Fig. 12).

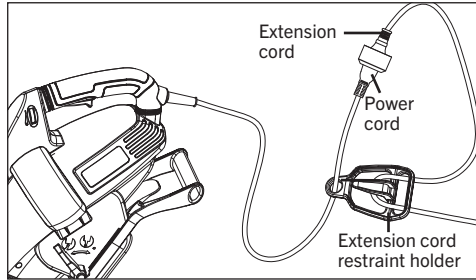


FIG. 12

2. To start the unit, press the On/Off trigger switch (Fig. 13).

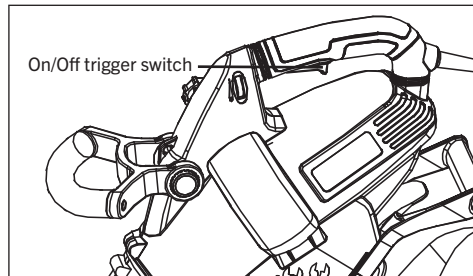


FIG. 13

3. To stop the tool, release the On/Off trigger switch (Fig. 13).

⚠ WARNING: After switching off the tool the motor continues to run for a few seconds.

VARIABLE SPEED DIAL

This tool is equipped with a variable speed dial (Fig. 14).

- Turn the speed selector dial to position “1” or “2” for LOW speeds.
- Turn the speed selector dial to position “3” or “4” for MEDIUM speeds.
- Turn the speed selector dial to position “5” or “MAX” for HIGH speeds.

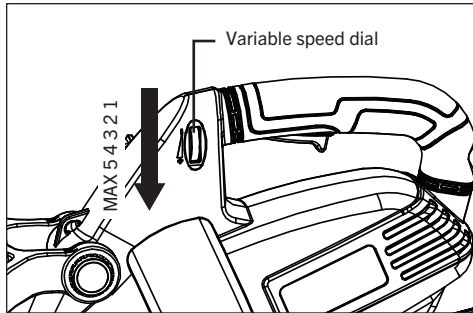


FIG. 14

BLOWER MODE

⚠ WARNING: Before operating with the blower/vac mode selector, make sure that the selector lever moves smoothly and is not obstructed by debris from previous use.

To use the unit in the blower mode, turn the blower/vac mode selector lever down to blower mode. Turn tool on (Fig. 15).

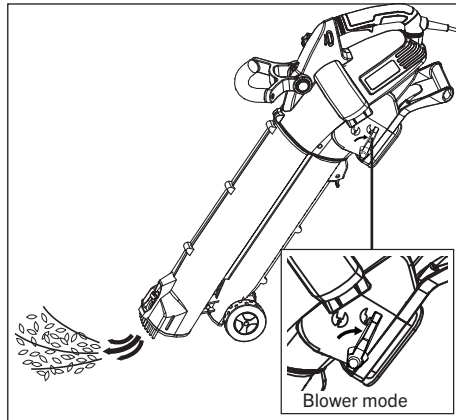


FIG. 15

Hold the blower firmly with one hand on the rear handle and the other hand on the adjustable front handle. Sweep from side to side with the wheels on ground.

Slowly advance, keeping the accumulated pile of debris in front of you. Most dry blowing operations are better suited to low speeds rather than high speeds. High speed blowing is best for moving heavier items like large debris or gravel.

VACUUM/MULCHER MODE

⚠ WARNING: Any hard objects, such as stones, cans and glass, will damage the impeller and the collection bag.

⚠ WARNING: Do not use the tool to suck up water or very wet debris.

Once you have blown the debris/leaves into a pile, you can convert to vacuum mode to collect the debris.

Ensure the collection bag is assembled on the tool correctly before operating in vacuum mode. Turn the blower/vac mode selector lever up to vacuum mode. Turn tool on (Fig. 16).

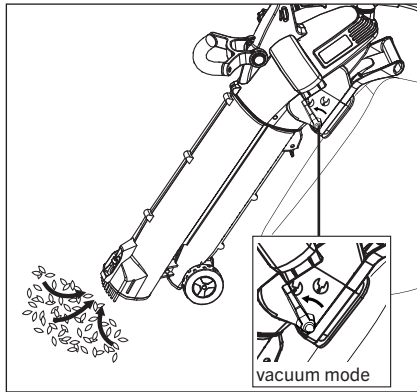


FIG. 16

With a firm hold on the vac, tilt the tubes 5 – 10 cm from the ground and use a sweeping action to collect light debris. The debris will flow into the bag. Items such as small leaves and twigs will be mulched as they pass through the mulcher impeller. For longer bag life and increased performance, empty the bag frequently.

⚠ WARNING: Turn tool off, disconnect from the power source and wait until the impeller comes to a stop before emptying the collection bag.

Open the zipper of the collection bag and empty it completely (Fig. 17).

Compost material does not belong with domestic waste.

Regularly empty collection bag (the vacuum capacity decreases considerably when the collection bag is full).

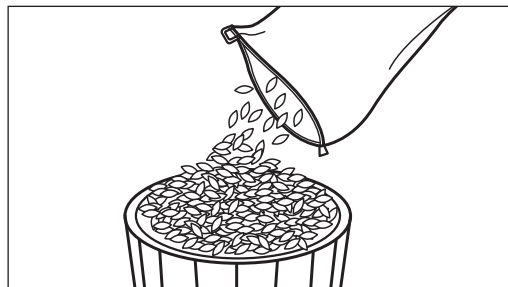


FIG. 17

⚠ WARNING: Do not vacuum solid objects such as stones, broken glass, or pieces of metal.

⚠ WARNING: Do not vacuum liquids.

⚠ WARNING: Avoid vacuuming large amounts of leaves at once to prevent clogging the vacuum opening and blocking the mulcher impeller.

NOTE: The mulching intensity depends on the size of the leaf material and its residual moisture.

OPERATING TIPS

⚠ WARNING: Use the blower/vacuum/mulcher only in daylight or good artificial light.

- When using the tool, plant your feet firmly on the ground and place one hand on the rear handle and the other hand on the front handle.
- Wear personal protective equipment during your work session. This includes boots, safety glasses/goggles, ear defenders, long pants and a long-sleeve shirt.
- When using the unit as a vacuum/mulcher, make sure the bag is properly installed and zipped closed.
- Make sure the blower tube is not directed at anybody or any loose debris before starting the unit.
- Verify that the unit is in good working condition. Make sure the tube (and/or bag) is in place and secure.
- Use the shoulder strap when using the unit as a vac/mulcher.
- Use the supporting wheels to easily guide the tube along the ground.
- Operate power equipment only at reasonable hours—not early in the morning or late at night when people might be disturbed. Comply with times listed in local ordinances. Typical recommendations are 9:00 am to 5:00 pm, Monday through Saturday.

- To reduce noise levels, limit the number of pieces of power equipment used at any one time and operate power blowers at the lowest possible speed setting necessary to do the job.
- Use rakes and brooms to loosen debris before blowing.
- In dusty conditions, slightly dampen surfaces.

MAINTENANCE

⚠️ WARNING: Always wear protective gloves during maintenance operations. Do not carry out maintenance when the motor is running or hot.

⚠️ WARNING: Use only manufacturer approved replacement parts, accessories and attachments. Failure to do so can cause possible injury and poor performance.

1. Store the tool, User Manual and accessories in a secure, dry place. This way you will always have the information ready.
2. Keep the tool's air vents unclogged and clean at all times.
3. Remove dust and dirt regularly. Cleaning is best done with a rag or brush.
4. Never use caustic agents to clean plastic parts.
5. Empty the collection bag after each use to avoid deterioration and obstructing air flow, which will reduce the performance of the tool.
6. Wash the bag regularly and let it fully dry before zipping it closed.

⚠️ WARNING: Do not use cleaning agents to clean the plastic parts of the tool. A mild detergent on a damp cloth is recommended. Water must never come into contact with the tool.

STORAGE

- Clean the blower or vacuum tubes thoroughly before storing.
- Store the electric 3-in-1 blower/vac/mulcher in a dry, well-ventilated place that is inaccessible to children.
- Store the tool locked up to prevent unauthorized use or damage.

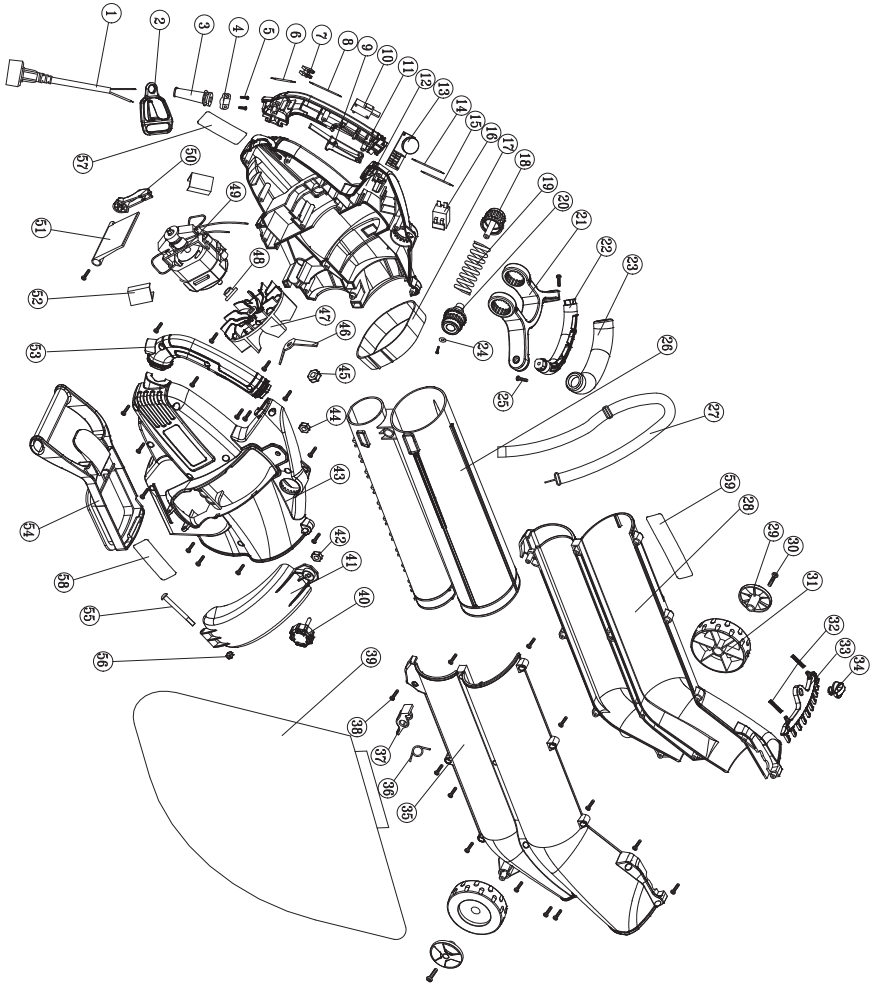
TROUBLESHOOTING

⚠️ WARNING: Read instruction manual first! Follow all safety precautions whenever diagnosing or servicing the tool. Disconnect power supply.

PROBLEM	POSSIBLE CAUSE	FAULT CORRECTION
The blower/vacuum/mulcher fails to operate	<ul style="list-style-type: none"> • No power supply • Plug not connected • Extension cord damaged 	<ul style="list-style-type: none"> • Check power supply (appliance cord, circuit breakers, fuses) • Connect the plug • Replace extension cord
No/low blowing power	Leaf collection bag is full.	Empty collection bag.
No/low vacuuming power	<ul style="list-style-type: none"> • Tool is set to blower mode. • Collection bag is full, dirty • Vacuuming opening clogged or blocked by foreign object 	<ul style="list-style-type: none"> • Set tool to vacuum mode • Empty/clean collection bag • Remove blockage

NOTE: If the tool vibrates, please immediately stop using it. Please contact Toll-free Help Line at 1-866-349-8665; Monday - Friday: 9 am to 5 pm Eastern Standard Time.

EXPLODED VIEW



PARTS LIST

⚠ WARNING: When servicing, use only original equipment replacement parts. The use of any other parts may create a safety hazard or cause damage to the electric 3-in-1 blower/vac/mulcher.

Any attempt to repair or replace electrical parts on this 3-in-1 blower/vac/mulcher may create a safety hazard unless repairs are performed by a qualified technician. For more information, call the Toll-free Helpline, at 1-866-349-8665 Monday - Friday from 9am to 5pm Eastern Standard Time.

Always order by PART NUMBER, not by key number.

Key #	Part #	Part Name	Quantity
1	8029-890005	Power cord	1
2	8103-890001	Extension cord restraint holder	1
3	8023-810001	Cord sheath	1
4	8053-810001	Cord clamp plate	1
5	8SBABC04-14	Screw	2
6	8027-890004A	Internal wiring 4A	1
7	8130-870001	Terminal strip	1
8	8027-890003A	Internal wiring 3A	1
9	8058-870001	Switch button	1
10	8032-401003	Mircoswitch	1
11	8094-890001	Left handle	1
12	8001-890001	Left housing	1
13	8140-890002	Governor	1
14	8027-890005A	Internal wiring 5A	1
15	8027-890006A	Internal wiring 6A	1
16	8032-870001	Mircoswitch	1
17	8023-890001	Sleeve	1
18	8058-880002	Left spin button	1
19	8060-880003	Spring	1
20	8058-880003	Right spin button	1
21	8094-890003	Front handle	1
22	8039-890001	Front handle holder	1
23	8023-890002	Sponge sleeve	1
24	8030-900003	Washer23	1
25	8SBABC05-20	Screw	2
26	8076-890001	Upper air duct	1
27	8047-870001	Strap	1
28	8076-890002	Under left air duct	1
29	8069-870001	Wheel cover	2
30	8SBABC04-25	Screw	2
31	8031-870002	Wheel	2
32	8060-890001	Spring	2
33	8162-890001	Rake	1

Key #	Part #	Part Name	Quantity
34	8058-890001	Adjusting knob	1
35	8076-890003	Under right air duct	1
36	8060-880004	Torsional spring	1
37	8058-880006	Adjusting button	1
38	8SBABC04-16	Screw	30
39	8045-890005	Collection bag	1
40	8058-880001	Knob	1
41	8069-890001	Rear cover	1
42	8NDB-05	Locking nut	1
43	8002-890001	Right housing	1
44	8NAB-05	Nut	1
45	8NAB-08	Locking nut	1
46	8132-880001	Blade	1
47	8022-870001	Fan	1
48	8023-860001	Sleeve	1
49	8004-890002A	Motor	1
50	8058-870002	Switching button	1
51	8053-872001	Wind shield	1
52	8028-870001	Shock pad	2
53	8094-890002	Right handle	1
54	8039-870001	Collection bag handle/support frame	1
55	8074-880002	Bolt	1
56	8NDB-04	Locking nut	1
57	8114-890001	Label	1
58	8113-890001	Label	1
59	8113-890002	Label	1

WARRANTY

BENCHMARK ELECTRIC 3-IN-1 BLOWER/VAC/MULCHER

If this Benchmark tool fails due to a defect in material or workmanship within five years from the date of purchase, return it to any Home Hardware store with the original bill of sale for exchange. This warranty does not include expendable parts including but not limited to blades, brushes, belts, light bulbs and/or batteries. This warranty covers defects in material or workmanship only. It does not cover normal wear and tear, failure due to abuse/misuse, or defects caused by careless or accidental mishandling. If this Benchmark product is used for commercial or rental purposes, this warranty does not apply.

ELECTRIC 3-IN-1 BLOWER/VAC/MULCHER



5 Year Limited Warranty on tool

BENCHMARKTM_{MC}

BENCHMARK TOOLS CANADA

ST. JACOBS, ONTARIO N0B 2N0

© 2025 Home Hardware Stores Limited

CUSTOMER SERVICE/TECH SUPPORT

1-866-349-8665

5124-063

Made in China



*This BenchmarkTM product carries a five (5) year LIMITED warranty against defects in workmanship and materials. See Owner's Manual for full details.



Intertek
5002690
GY8900

**READ ALL INSTRUCTIONS BEFORE FIRST USE.
KEEP THIS MANUAL FOR FUTURE REFERENCE.
KEEP AWAY FROM CHILDREN.**



**WEAR CSA APPROVED
EYE PROTECTION**



**WEAR EAR
PROTECTION**



**WEAR A
FACE MASK**