

Radley®

5044-037

Pressure Washer

User Guide





This product is supported by **Midland Power**. Contact us directly for assistance and warranty help. Do not return this product to store.

You must register online for your warranty to be valid. It only takes a minute, do it now while you still have your purchase receipt.

Register Your Product Online

[https://support.midlandpowerinc.com/
product-registrations/new](https://support.midlandpowerinc.com/product-registrations/new)



Support for your product is available online, including parts, service center locations, and live expert advice.

Visit us online at

www.midlandpowerinc.com



Or call us anytime at **1-877-528-3772**.

Thanks for choosing Radley!

You're excited to get started, we'll keep this brief.

READ THIS ENTIRE GUIDE BEFORE USING THIS PRODUCT AND SAVE FOR LATER USE.

This user guide contains important instructions including safety, setup, operation, and maintenance that must be followed. All information in this guide is based on information available at the time of print. This guide or revised editions can be found on our website for download. No part of this publication may be reproduced without written permission.



THIS PRODUCT MEETS ALL CERTIFICATION REQUIREMENTS FROM:



266726

©2025 Radley. All Rights Reserved.
5044-037_Manual_EN_2025-02-28

TABLE OF CONTENTS

1. Safety	1
2. Learn About Your Pressure washer	4
2.1 Component Identification	4
2.2 Assembly Instructions	6
3. Pre-Operation Check	7
3.1 Prepare The Water Inlet Filter	7
3.2 Spray wand and Hose Assembly	8
3.5 Check the Water Supply	11
4. Starting your Pressure washer	12
4.1 Starting The Pressure Washer	12
4.2 Stopping the Pressure Washer	14
5. Pressure washer Operation	16
5.1. Using the Spray wand	16
5.2. Using the Adjustable Nozzle	17
6. Maintenance	18
6.1 Nozzle Cleaning	18
6.2 Cleaning the Water Inlet Filter	19
7. Transportation & Storage	20
8. Troubleshooting	21
9. Technical Specifications	22
10. Limited Warranty	23

1. SAFETY

1.1 OPERATOR SAFETY

WARNING!

- Properly clean and maintain the equipment.
- Operate the pressure washer according to instructions for safe and dependable service.
- Before operating the pressure washer, read the user guide carefully. Otherwise, personal injuries or equipment damage may result.
- Never run the pressure washer in an enclosed area.
- Pay attention to the warning labels.
- Place the pressure washer at least 3 feet away from buildings or other equipment during operation.
- Run the pressure washer on a level surface. Tilting the pressure washer may result in spills.
- Know how to stop the pressure washer quickly and understand operation of all the controls. Never permit anyone to operate the pressure washer without proper instructions.
- Keep children, pets and machinery with rotating parts away during operation.
- Do not operate the pressure washer in rain or snow.
- Wear ear and eye protection while operating this unit.

1.2 USE SAFETY

⚠ WARNING!

- NEVER direct the water spray towards electrical wiring, devices, or directly at the pressure washer itself. Fatal electric shock may occur.
- NEVER direct the water flow at people. The high pressure jet can be dangerous if misused and must not be directed at people, animals, electrical devices or the unit itself. **DO NOT TREAT FLUID INJECTION AS A SIMPLE CUT!** Seek medical help immediately.
- NEVER spray flammable liquids, risk of explosion. Operate only where open flame or torch is permitted.
- Always operate on dry, solid level ground.
- DO NOT expose this product to excessive moisture, dust, or dirt.
- DO NOT use in areas where fumes from paint solvents or flammable liquids pose a potential hazard.
- Inspect before each use, ensure all nuts, bolts, screws, fittings, hose clamps, wheels. etc. are securely tightened. Never operate when the product is in poor mechanical condition.
- Never move this product while spraying.
- DO NOT use acids, solvents, alkaline, or flammable substances in this product. They may cause injuries to the operator and will permanently damage the machine.
- Only use detergents that are designed to be specifically used with a pressure washer. The user of other cleaning detergents may void the warranty.
- The spray wand will kick, hold with both hands.
- Never run the unit dry, always be sure the water supply is turned on fully before operating the unit.
- Know how to stop the product and bleed pressure quickly. Be thoroughly familiar with the controls.
- DO NOT operate the pressure washer without the water turned on.
- DO NOT overreach or stand on unstable surface. Keep good footing and balance at all times.
- Wear proper eye and ear protection while operating.

1.3 MAINTENANCE SAFETY

⚠ WARNING!

- Turn off the pressure washer before performing any maintenance. Failure to do so can cause severe personal injury or death.
- Before performing maintenance, depressurize the unit by turning off the water supply and squeezing the trigger of the spray wand until water stops flowing.
- After any maintenance is performed, wash immediately using soap and clean water because repeated exposure to lubricant may cause skin irritation.
- Do not clean the filter element with flammable liquids like gasoline.
- Allow the pressure washer set to cool down before performing any maintenance.
- Do not spray the pressure washer itself.
- DO NOT let water in the pump freeze. See the storage section for further details on how to store properly during the winter.
- See 'Maintenance Schedule' for the recommended maintenance schedule.

1.4 OTHER SAFETY TIPS

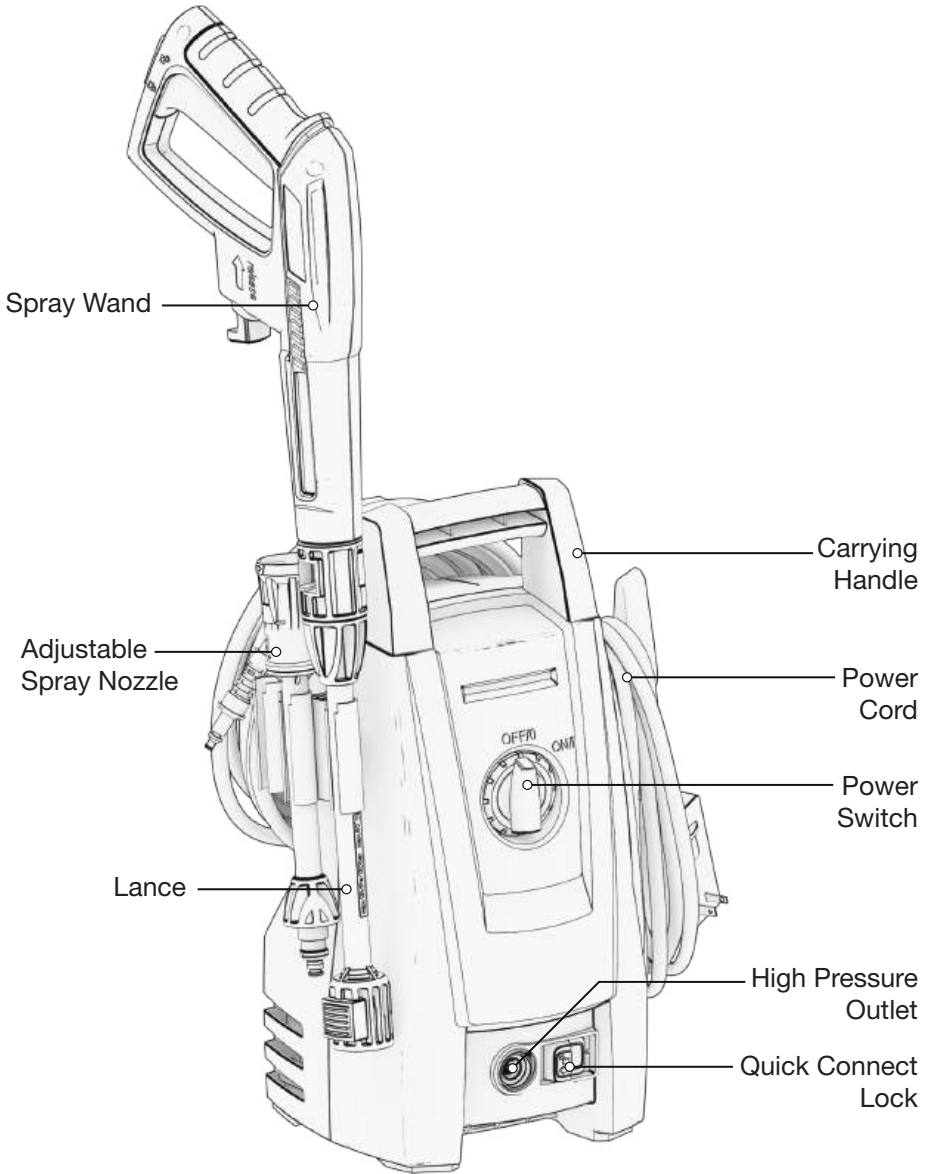
⚠ WARNING!

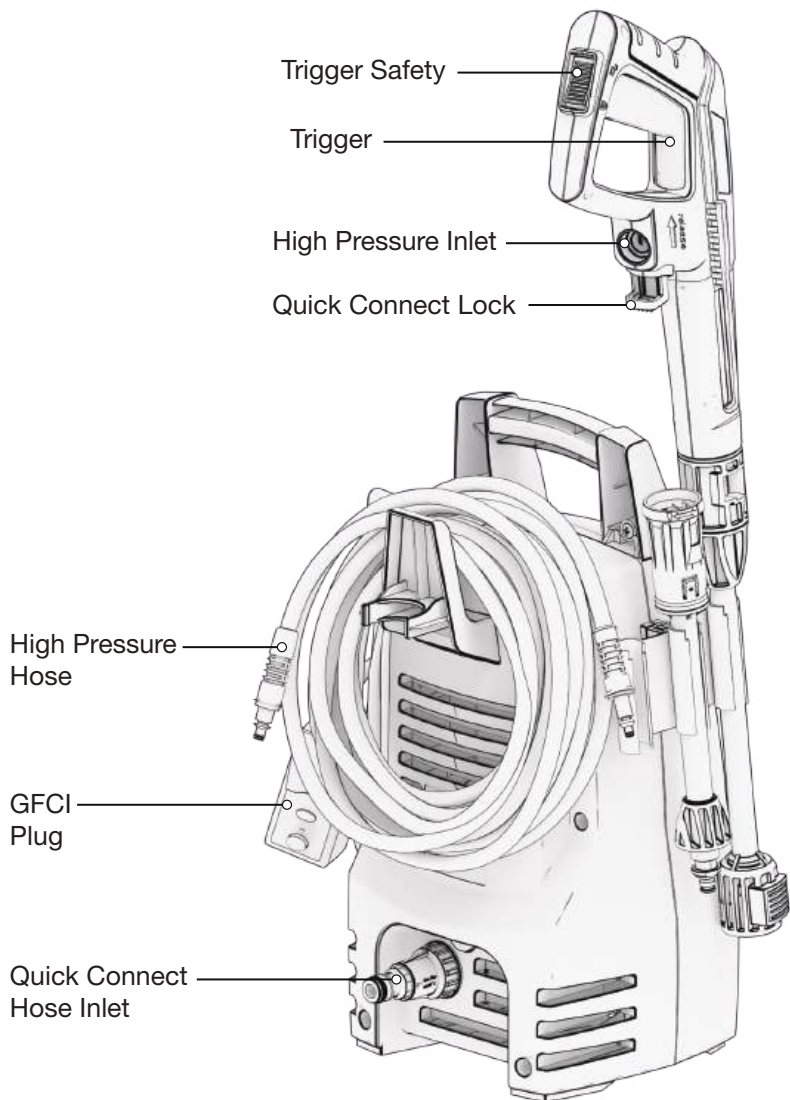
- Pressure washers vibrate in normal use. During and after the use of the pressure washer, inspect the pressure washer as well as hoses connected to it for damage resulting from vibration. Have damaged items repaired or replaced as necessary. Do not use hoses that show signs of damage such as broken or cracked insulation or damaged connectors.

2. LEARN ABOUT YOUR PRESSURE WASHER

This section will show you how to identify key parts of your pressure washer. Going over the terminology below will make sure we're on the same page.

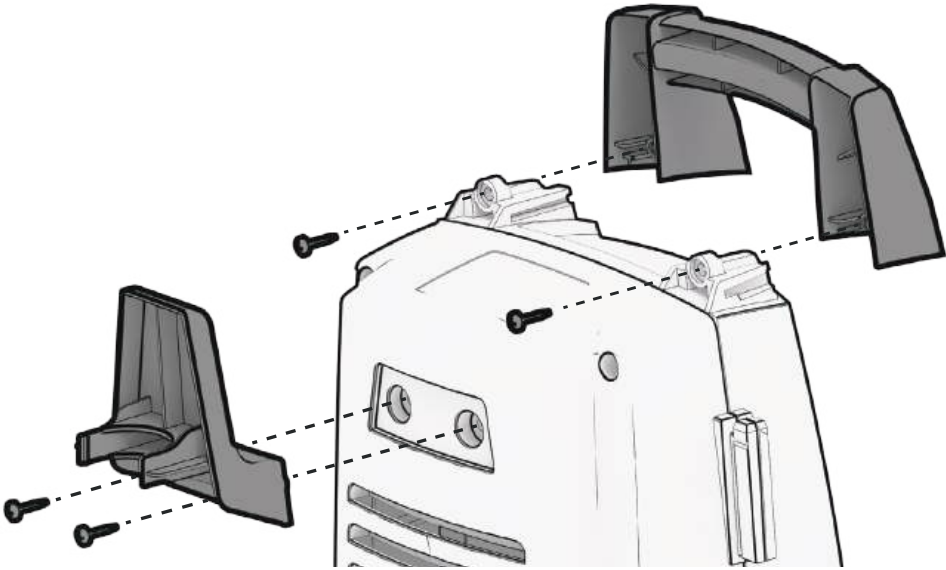
2.1 COMPONENT IDENTIFICATION





2.2 ASSEMBLY INSTRUCTIONS

Assembling the Top Handle and High Pressure Hose Holder



1. Slide Top Handle into place, secure with screws.
2. Slide High Pressure Hose Holder into place, secure with screws.

Assembling the Side Holders



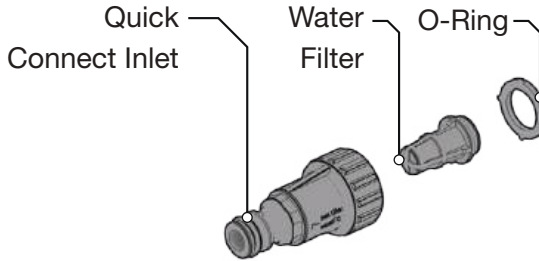
1. Slide Tool Holder into place securely.
2. Slide Power Cord Holder into place securely.

3. PRE-OPERATION CHECK

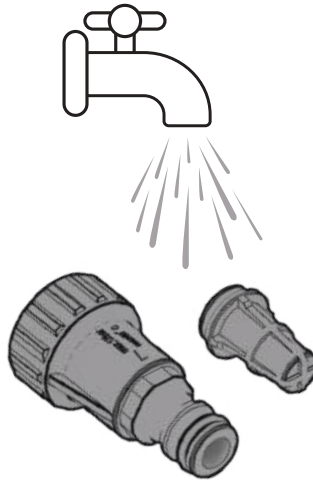
These quick checks should be done each time the pressure washer is started to ensure you get the most out of your pressure washer.

Set the pressure washer on a level surface and the power switch to OFF.

3.1 PREPARE THE WATER INLET FILTER



1. Gently separate the pieces of the Quick Connect Hose Inlet.

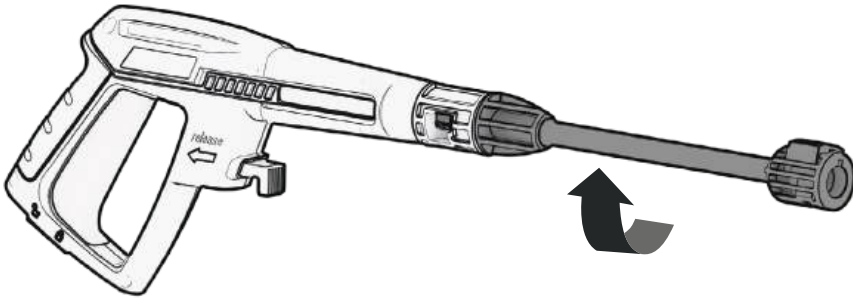
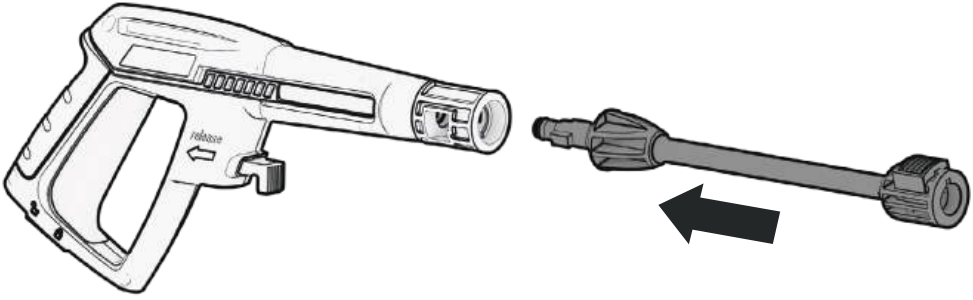


2. Rinse the Water Inlet Filter pieces using clean water.
3. Re-assemble the Quick Connect Hose Inlet pieces.

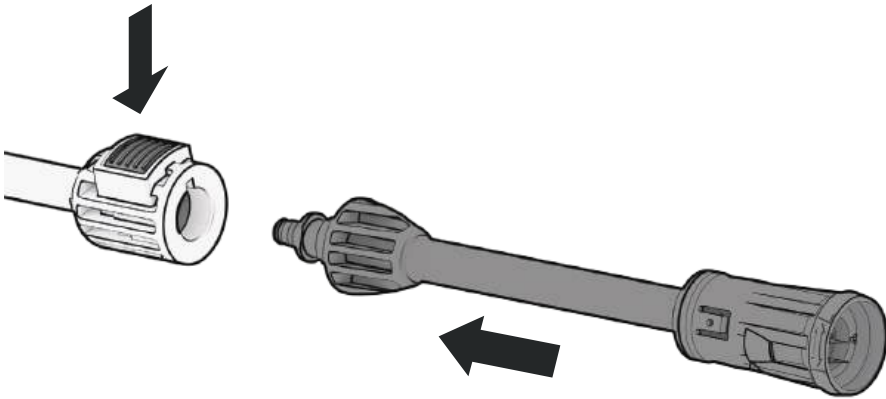
Note

- Always inspect water inlet filter before using the pressure washer.
- Never run the pressure washer without a water filter, doing so will quickly degrade the unit.

3.2 SPRAY WAND AND HOSE ASSEMBLY

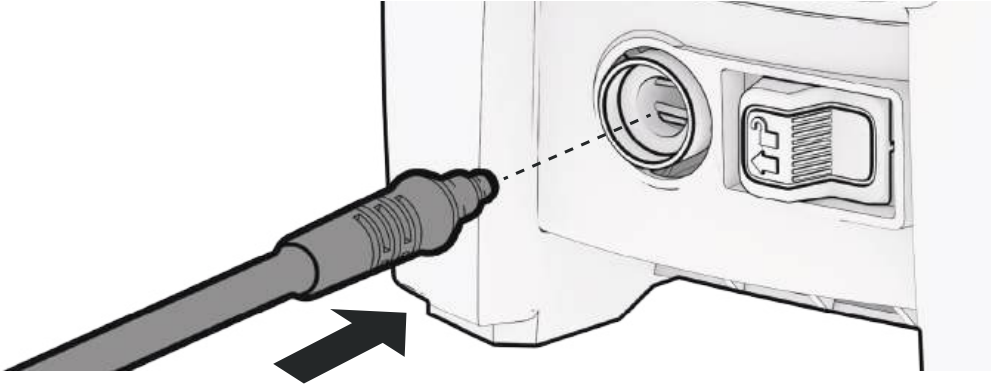


1. Align the lance and spray wand's notches.
2. Push down firmly and twist clockwise to lock lance into place.

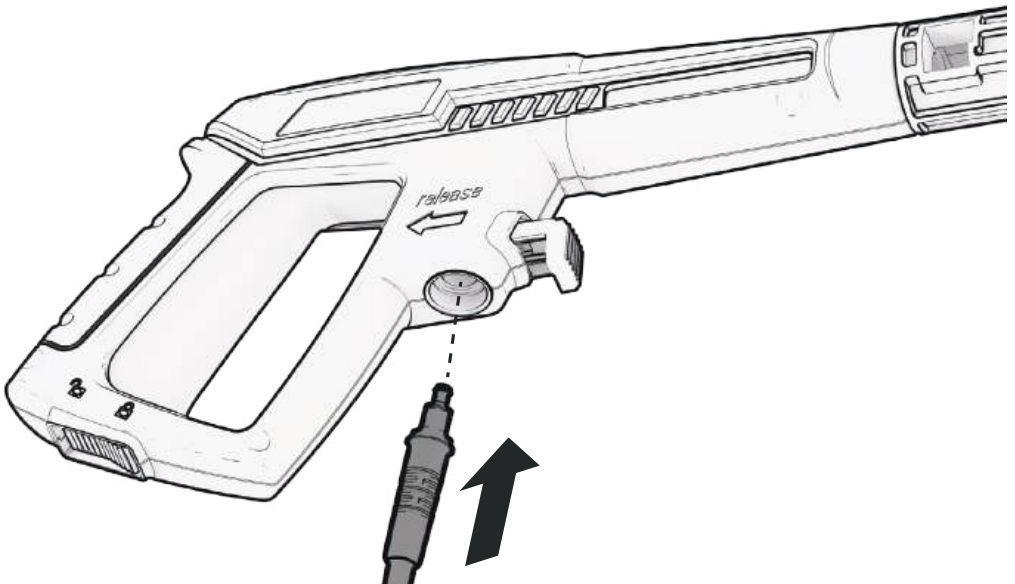


3. Align the adjustable nozzle and lance's notches.
4. Push lance's nozzle release button in firmly. Insert adjustable nozzle securely.

3.3 HOOK UP THE HIGH PRESSURE HOSE



1. Attach one end of the high pressure hose to the high pressure outlet on the unit by pressing firmly.

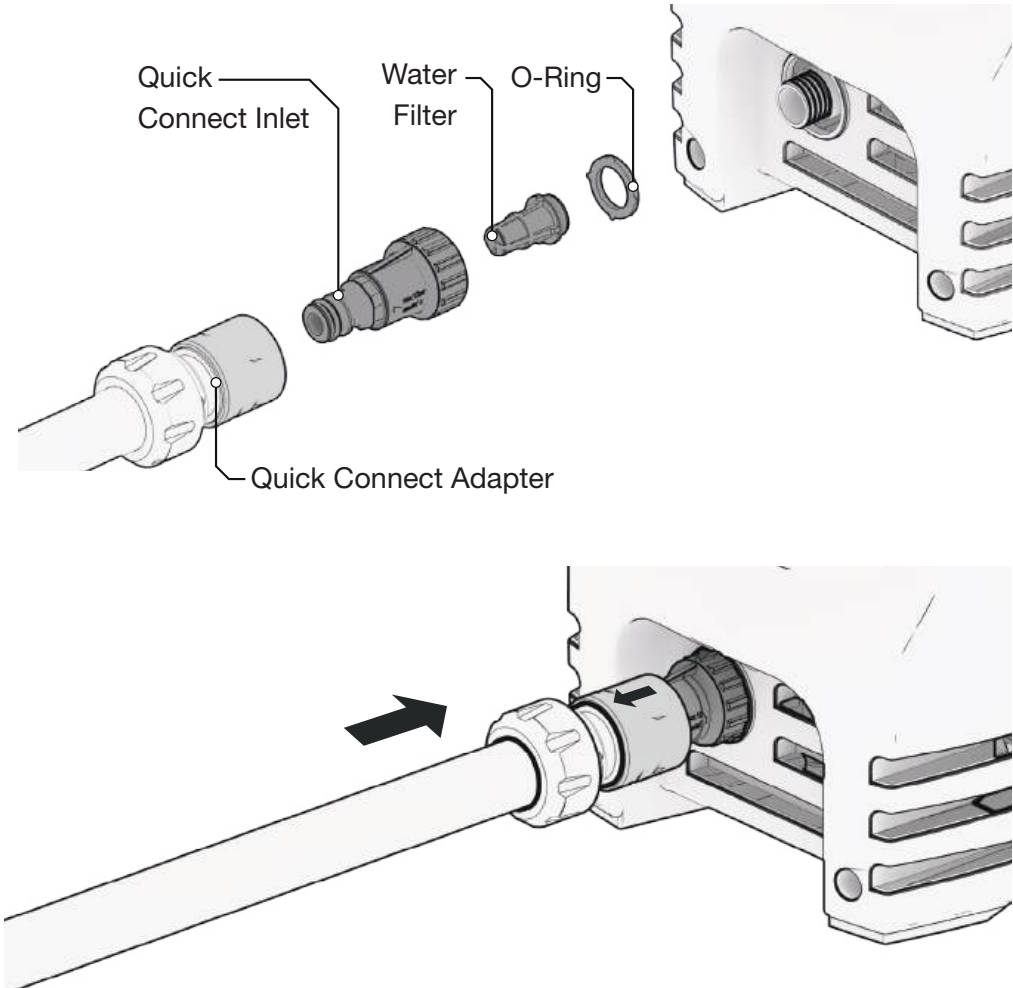


2. Attach the other end of the high pressure hose to the high pressure inlet on the wand by pressing firmly.

Note

- Double check the high pressure hose is securely tightened. The pressure may cause bodily harm if the fittings separate.

3.4 HOOK UP THE WATER SUPPLY HOSE



1. Connect a garden hose to an outdoor tap. Run water through the garden hose to clear out any debris.
2. Pull out and inspect the water filter to ensure it is in place and free of debris.
3. Using a quick connect hose adapter (not included), connect the garden hose to the Quick Connect Inlet. Use the shortest hose possible to complete the job, do not use a hose longer than 50 feet (15.2m).

Note

- Do not operate the pressure washer with missing or damaged inlet filter.
- Do not start the engine without the water supply connected and turned on. Water supply must deliver at least 1.5 GPM. Do not draw from standing water supply. Water temperature must not exceed 104°F (40°C).

3.5 CHECK THE WATER SUPPLY

- Check local regulations of your municipal water company to check if a backflow prevention device is required when hooking up to drinking water. This ensures no feedback of chemicals will return to the water supply. Use a water filter to avoid potential damage from dirt in the water supply.
- Garden hose must be at least 1/2" interior diameter
- Flow rate of water must not fall below 1.5 GPM.
- The water supply temperature must not exceed 40°C/104°F.
- Never use the pressure washer to draw in water contaminated with solvents eg. paint thinners, gasoline, oil etc.
- Always prevent debris from being drawn into the unit by using a clean water source and additional water filter.
- DO NOT operate pressure washer without the water supply turned on.

4. STARTING YOUR PRESSURE WASHER

⚠ WARNING!

Do not run the pump without connecting to the water supply and turning the water on. Failure to do so could damage the pressure washer. Failure to follow these instructions will void product warranty.

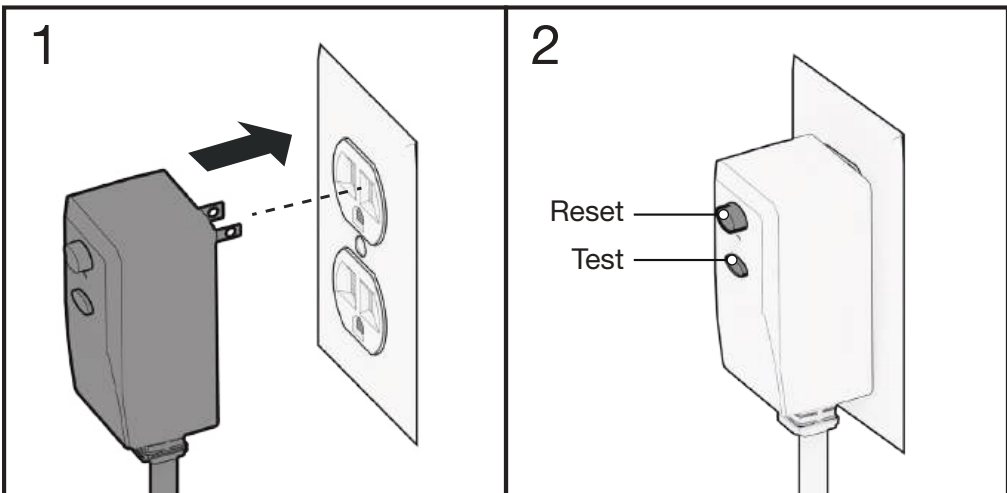
Water that passes through this unit is not drinking water safe.

⚠ DANGER! ⚠

NEVER direct the water flow at people. The high pressure jet can be dangerous if misused and must not be directed at people, animals, electrical devices or the unit itself. DO NOT TREAT FLUID INJECTION AS A SIMPLE CUT! Seek medical help immediately.

4.1 STARTING THE PRESSURE WASHER

Operating GFCI Plug

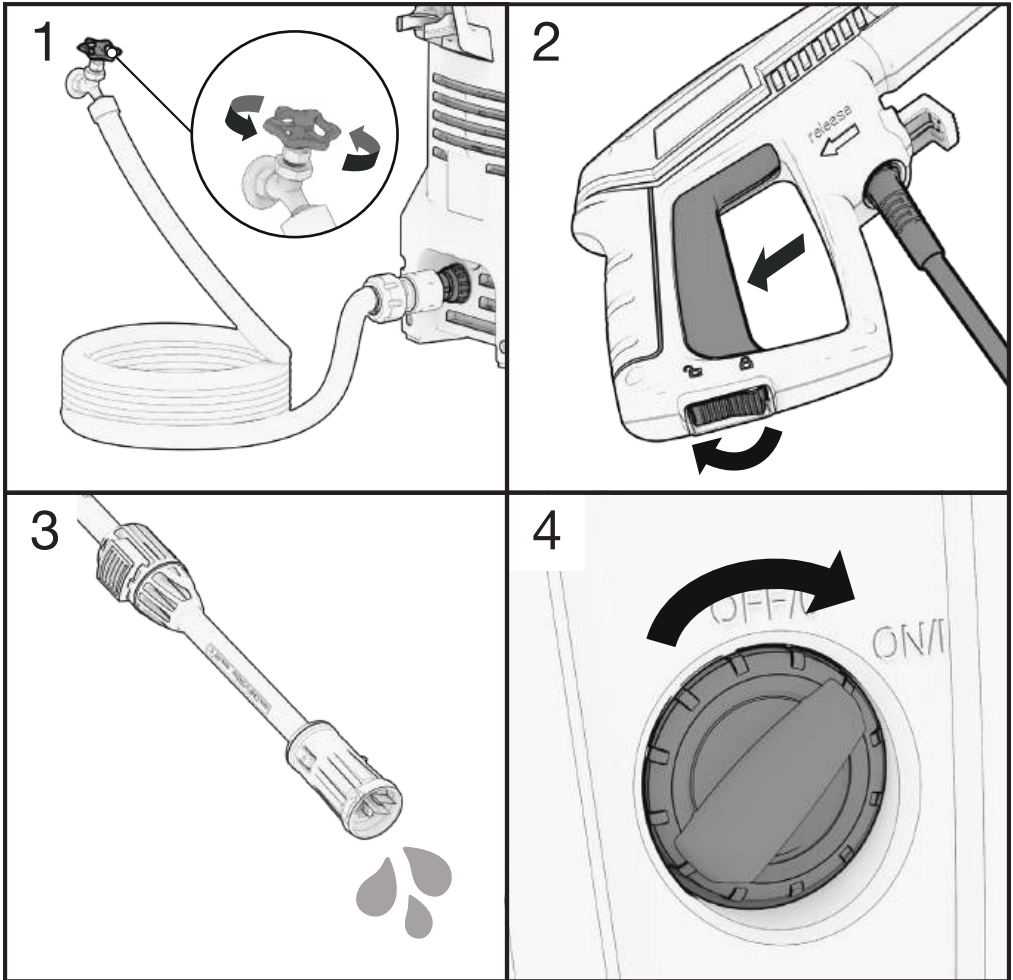


1. Insert GFCI Plug into a 120V wall outlet that can output up to 11.7A or 1400w. The power LED should light up.
2. Press the 'Test' button. The GFCI breaker should switch off. Press the 'Reset' button. The GFCI breaker should switch back on. If the GFCI plug does not operate properly, stop use immediately and contact customer support.

Note

- If the GFCI detects any shorts during operation, the GFCI breaker will switch off. If GFCI breaker does not switch back on after pressing the 'Reset' button, stop use immediately and contact customer support.

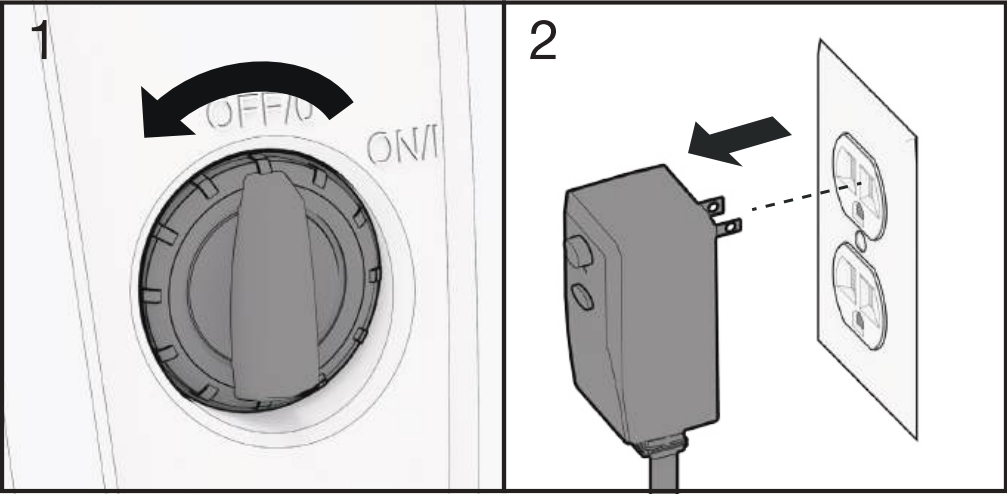
Starting Pressure Washer



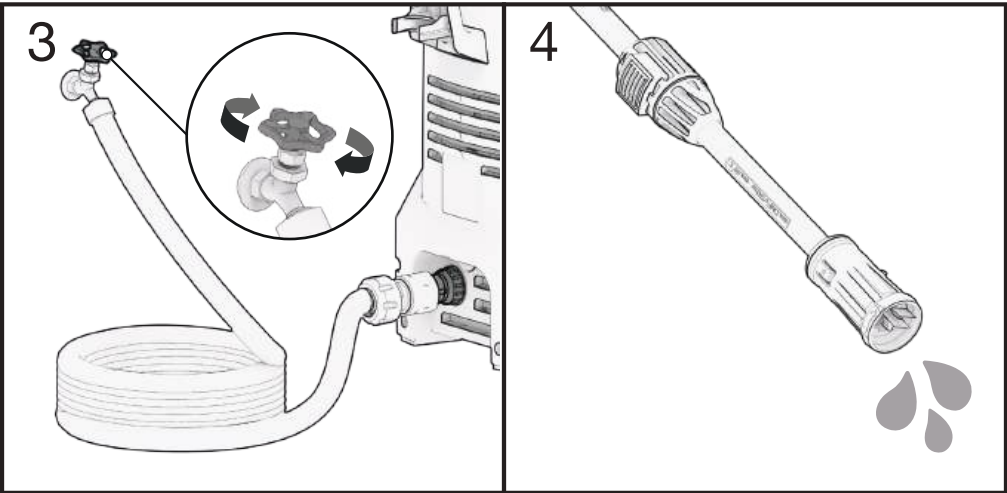
Before use, follow all steps in Section 3: "Pre-Operation Check"

1. Turn on the water supply from the garden hose. Check for leaks at the quick-connect and high-pressure ports.
2. Unlock the spray wand's trigger safety, and pull the trigger.
3. Hold the spray wand's trigger to purge the system of any air before use.
4. Turn the pressure washer's power switch to the 'ON' position.

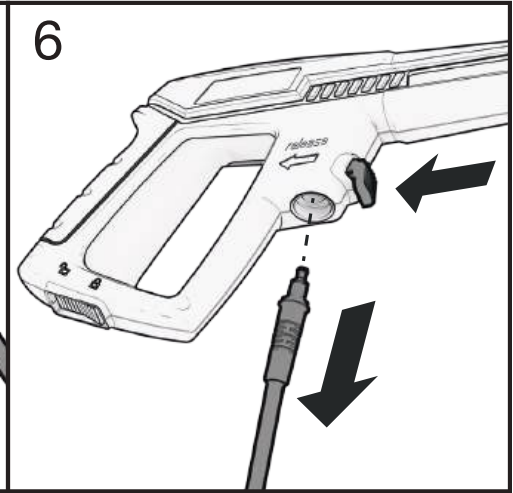
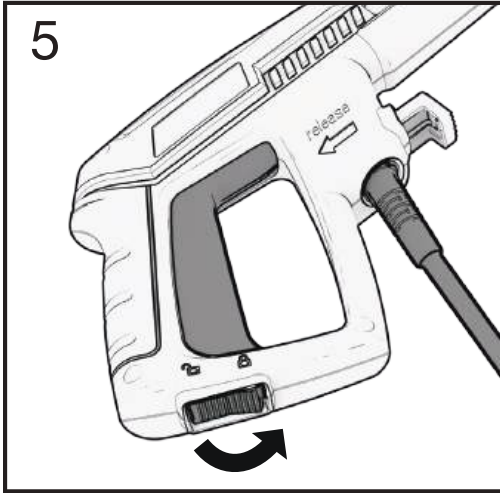
4.2 STOPPING THE PRESSURE WASHER



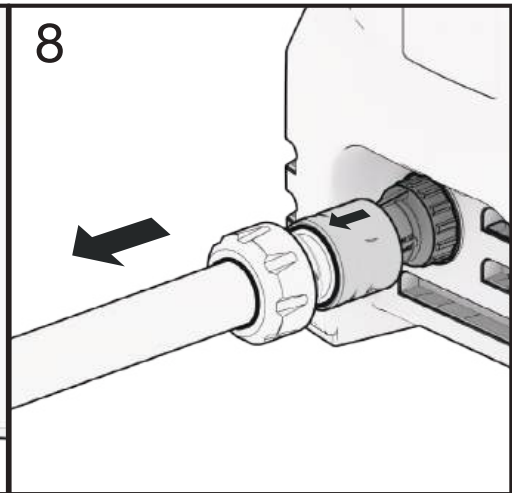
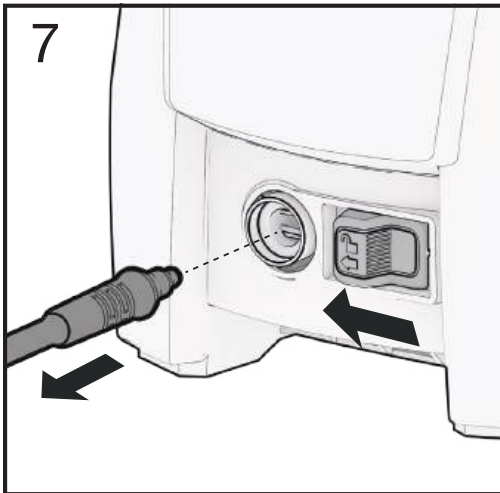
1. Turn the pressure washer's power switch to the 'OFF' position.
2. Remove the GFCI Plug from the wall socket.



3. Turn off the water supply from the garden hose.
4. Squeeze the spray wand's trigger to purge the system of any high-pressure water.



5. Lock the spray wand's trigger safety.
6. Hold down the spray wand's quick release lock, and remove the high-pressure hose.



7. Hold down the pressure washer's quick release lock, and remove the high-pressure hose from the unit.
8. Remove the quick release garden hose from the unit.

5. PRESSURE WASHER OPERATION

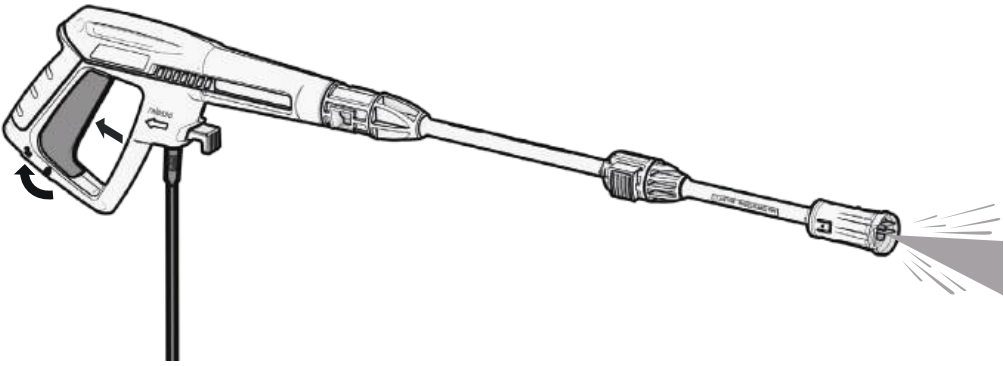
⚠ DANGER! ⚠

NEVER direct the water flow at people. The high pressure jet can be dangerous if misused and must not be directed at people, animals, electrical devices or the unit itself. **DO NOT TREAT FLUID INJECTION AS A SIMPLE CUT!** Seek medical help immediately.

⚠ WARNING!

Do not run the pump without connecting to the water supply and turning the water on. Failure to do so could damage the pressure washer. Failure to follow these instructions will void product warranty. This unit is not drinking water safe.

5.1. USING THE SPRAY WAND



1. Unlock the spray wand's trigger safety, and pull the trigger.
2. Hold the spray wand's trigger to start the high-pressure water flow.
3. To stop water flow, release the trigger.

Rinsing with the Pressure Washer

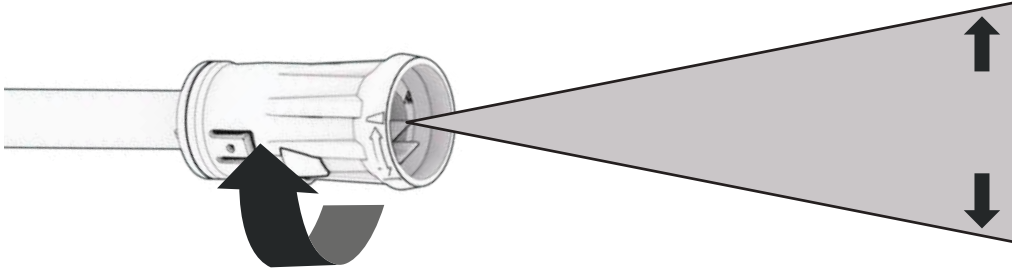
1. Test a small area first to avoid surface damage.
2. Rinse from top to bottom using long, overlapping strokes.

5.2. USING THE ADJUSTABLE NOZZLE

⚠ WARNING!

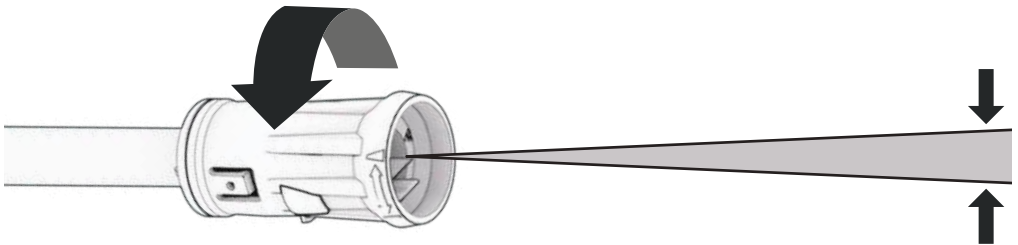
The trigger safety lock MUST be engaged when adjusting nozzle while the unit is running.

High pressure in nozzle area. Risk of injury caused by improperly locked parts.



Turn the adjustable nozzle's head clockwise to decrease the spray pressure and increase spread.

- Low pressure: Use when applying detergents for your cleaning projects.
- Medium pressure: safe to use on all surfaces, including windows, blinds, and vehicles. This pressure can be used for rinsing after soaping.



Turn the adjustable nozzle's head counter-clockwise to increase the spray pressure and decrease spread.

- Maximum pressure: Outputs a very concentrated stream of water. This setting should be used for removing tough stains and debris from concrete and metal. **THIS NOZZLE WILL DAMAGE SOFT SURFACES. DO NOT use on wood, siding, decks, painted surfaces, windows, or vehicles.**

6. MAINTENANCE

⚠ WARNING!

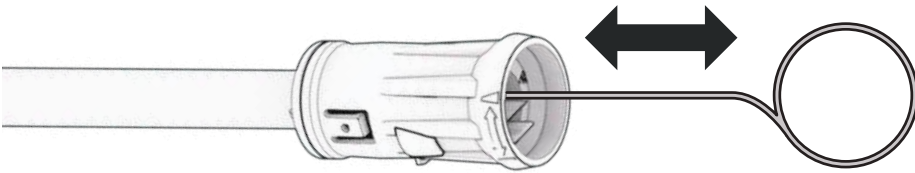
Do not perform maintenance on the pressure washer while the unit is connected to an outlet, powered on, or is connected to water. Failing to do so will result in damage to the pressure washer, and injury to self.

Proper maintenance keeps your pressure washer in the best operating condition by ensuring safe, economical and trouble-free operation. Only use genuine parts and recommended fluids to replace the worn components. Improper maintenance may cause the pressure washer to malfunction and can lead to serious injury. Contact customer support if you have any maintenance questions.

General Inspection Tips

- Look for leaks around the intakes, hoses, and valves.
- Have all the leaks repaired before continuing operation.
- Check for dirt and debris and clean as necessary.

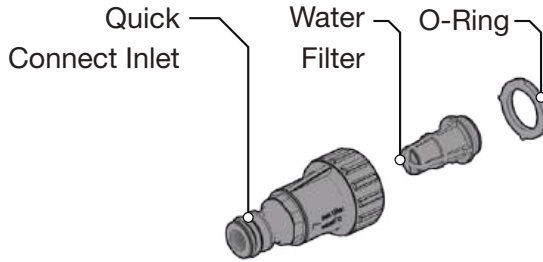
6.1 NOZZLE CLEANING



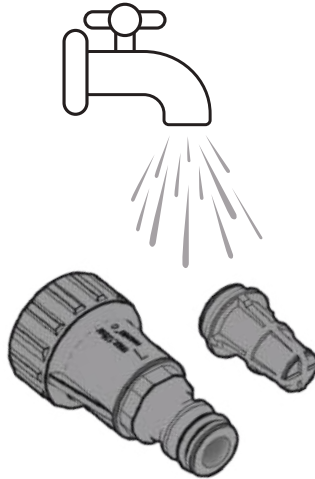
1. Use the included cleaning tool to loosen up any stuck particles in the adjustable nozzle. Flush with water.

6.2 CLEANING THE WATER INLET FILTER

A dirty water filter will restrict flow into the unit. Clean and maintain the water filter regularly, especially in dirty or dusty areas.



1. Gently separate the pieces of the Quick Connect Hose Inlet.



2. Rinse the Water Inlet Filter pieces using clean water.
3. Re-assemble the Quick Connect Hose Inlet pieces.

Note

- Always inspect water inlet filter before using the pressure washer.
- Never run the pressure washer without a water filter, doing so will quickly degrade the unit.

7. TRANSPORTATION & STORAGE

7.1 LONG TERM STORAGE - PRESSURE WASHER

1. Follow all directions to shut down the pressure washer.
2. Ensure all high-pressure water has been purged from the spray wand.
3. Tilt the unit side to side to ensure all water has been removed from all hoses, inlets, and outlets.
4. Store above temperatures of 0° C.

7.2 LONG TERM STORAGE - HOSES

1. Drain all water from the high pressure hose and wrap it onto the holder.
2. Drain all water from the spray wand by holding it vertically with the nozzle down and squeezing the trigger until the water stops flowing.
3. Store above temperatures of 0° C.

8. TROUBLESHOOTING

Problem	Possible Cause	Solution
Not reaching high pressure	<ul style="list-style-type: none"> ■ Low water supply ■ Water supply is restricted ■ Water inlet filter is clogged ■ Nozzle obstructed ■ High pressure hose is too long 	<ul style="list-style-type: none"> ■ Remove and attach a high pressure nozzle ■ Water supply must be at least a 1/2" diameter hose minimum ■ Check hose for leaks, kinks, or blockages. Ensure the tap is all the way open. ■ Remove filter and rinse in warm water. Reinstall. ■ See nozzle cleaning instructions ■ Max high pressure hose of 100 feet (30m)
Inconsistent or low pressure during use	<ul style="list-style-type: none"> ■ Water supply is restricted ■ Water supply not turned on full power ■ Nozzle is clogged ■ Spray wand leaks ■ Air in line ■ Inlet hose is clogged ■ Water supply temperature is over 104°F ■ Pump is faulty 	<ul style="list-style-type: none"> ■ Inspect garden hose for kinks, leaks, or blockages. Use min. of 1/2" garden hose ■ Open water supply tap all the way ■ Clean nozzle ■ Check all connections. Use sealant tape if necessary ■ Squeeze trigger handle to remove air in line ■ Clean inlet filter in warm water ■ Use cool water supply ■ Contact technical support
Water leaking at spray wand connection or pump	<ul style="list-style-type: none"> ■ Loose connections ■ Worn spray wand o-ring ■ Piston packings worn ■ Worn pump o-ring ■ Pump head or tubes damaged from freezing 	<ul style="list-style-type: none"> ■ Tighten ■ Replace ■ Contact technical support ■ Contact technical support ■ Contact technical support

9. TECHNICAL SPECIFICATIONS

		5044-037
Nettoyeur haute pression	Rated PSI	1160
	PSI Max.	1600
	GPM Max.	1.5
	High Pressure Hose	20 ft. (6.1m)
	Motor Power	1400w
	L x W x H	10.5 x 9.1 x 15.4"
	Gross Weight	10.1 lbs

10. LIMITED WARRANTY

Warranty

Beginning at the time of retail purchase and for the duration of the warranty period Midland Power Inc. (Midland) warrants that Equipment manufactured by it is warranted to be free from defects in material and workmanship. Midland will, at its sole discretion, replace or repair any part(s) which, upon evaluation and testing by Midland or an authorized service center, show a defect in workmanship or material. Valid proof of purchase must be submitted online for registration with Midland, or presented to Midland at time of claim, for warranty to be valid. This warranty is not transferable from the original owner.

Limited Warranty Period:

Non-commercial use:

- Year 1 - Parts and Labour
- Year 2 and 3 - Parts

Commercial use:

- First 6 Months - Parts and Labour

Commercial use includes utilization of the purchased product for a business or non-profit organization, or to financially benefit an individual. This includes, but is not limited to, usage in the context of a financial transaction, usage on commercial or non-profit property, or usage for advertising or marketing purposes.

Replacement parts sold to a consumer or installed by an authorized service center are warranted for a period of 90 days from date of purchase. Labour must be performed by an authorized service center unless given Midland's prior written approval. Midland will not bear any transportation or shipping fees to or from an authorized service center. Service calls, travel charges, overtime, or weekend rates, are not covered.

This warranty does NOT cover:

- a. Any repairs required as a result of any parts not supplied by Midland, and this part is responsible for the failure or malfunction;
- b. Any Equipment modified, altered, disassembled or remodelled;
- c. Any repairs required as a result of a failure to install, maintain, store, transport, or operate the Equipment in accordance with standard practices set out in the user guide;
- d. Damage that occurred after receipt of equipment, not caused by defects in workmanship or material;
- e. Normal maintenance services, as outlined in the user guide and intended for a consumer to perform;

- f. Replacement of parts made in connection with normal maintenance services including oils, adhesives, additives, fuel, filters, brushes, belts, lubricants, spark plugs, gaskets, seals, fasteners, wires, tubes, pipes, fittings, wheels, batteries, and other expendables susceptible to natural wear;
- g. Any accessory or attachment.

Midland disclaims any responsibility for loss of time or use of the product, transportation, or towing costs or any other indirect, incidental, or consequential damage, inconvenience or commercial loss.

This warranty is the entire and only warranty given by Midland for Midland products or equipment. No agent or employee is authorized to extend or enlarge this warranty on behalf of Midland by any written or verbal statement or advertisement.



Customer Service

Online: radley.midlandpowerinc.com

E-mail: support@midlandpowerinc.com

Toll Free: 1-877-528-3772

Enjoy!

Be sure to check radley.midlandpowerinc.com for updates regarding your product.



Radley