

BENCHMARKTM_{MC}

ELECTRIC PRESSURE WASHER 2100 PSI



3 Year Limited Warranty on tool



**READ ALL INSTRUCTIONS BEFORE FIRST USE.
KEEP THIS MANUAL FOR FUTURE REFERENCE.
KEEP AWAY FROM CHILDREN.**



**WEAR CSA APPROVED
EYE PROTECTION**



**WEAR EAR
PROTECTION**



**WEAR A
FACE MASK**

PRODUCT SPECIFICATIONS

ELECTRIC POWER WASHER	
Model	5044-035
Rated voltage	AC 120V
Rated frequency	60 Hz
Rated current	14A
Rated pressure	1600 psi
Maximum pressure	2100 psi
Maximum water inlet pressure	170 psi
Maximum water inlet temperature	122°F / 50°C
Rated flow	1.4 GPM
Max flow	1.6 GPM
Weight	28 lbs (12.7 kg)

NEED ASSISTANCE?

Call us on our toll-free customer support line:

1-866-206-0888 (Monday through Friday 9am - 5pm Eastern Standard Time)

- Technical questions
- Replacement parts
- Parts missing from package

TABLE OF CONTENTS

Product Specifications 1
Table of Contents 2
General Safety Instructions 3-7
Unpacking 8
Preparation before Operation 9-10
Operation 10-13
Maintenance 13-14
Troubleshooting and FAQs 14-15
Exploded View 15
Parts List 16-18
Warranty 18

GENERAL SAFETY INSTRUCTIONS

IMPORTANT SAFETY PRECAUTIONS

RETAIN FOR FUTURE REFERENCE AND READ CAREFULLY!






Do not attempt to install or operate this machine until you have read the safety instructions in this manual. Safety items throughout this manual are labeled with a Danger Warning, or Caution depending on the risk type.



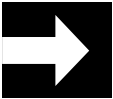
DEFINITIONS



This is the safety alert symbol. It is used to alert you to potential personal injury hazards. Obey all safety messages that follow this symbol to avoid possible injury or death.

SYMBOL	MEANING
	DANGER Indicates an imminently hazardous situation which, if not avoided, will result in death or serious injury.
	WARNING Indicates a potentially hazardous situation which, if not avoided, could result in death or serious injury.
	CAUTION Indicates a potentially hazardous situation which, if not avoided, could result in minor or moderate injury.
	IMPORTANT Installation, operation, or maintenance information which is important but not hazard-related.
	IMPORTANT Read the manual carefully before operation.

SYMBOL	MEANING
 	<p>DANGER</p> <p>To reduce the risk of fire, electric shock, explosion or injury to people, read the following:</p> <ul style="list-style-type: none"> • This product is intended for domestic outdoor use only. • The water spray must never be directed towards any electric wiring, devices, or directly towards the pressure washer itself, or fatal electric shock may occur. • The pressure washer should not be used in areas where gas vapors may be present. An electric spark could cause an explosion or fire. • Risk of explosion. When a combustible liquid is sprayed, there can be danger of fire or explosion, especially in a closed area. Therefore, do not spray flammable liquids. • Do not use acids or solvents with this product. These products can cause physical injuries to the operator and irreversible damage to the device. • Risk of electric shock. Inspect the cord before using the device. Do not use it if the cord is damaged. • Risk of injury. Do not direct the water flow at people. The high-pressure jet can be dangerous if misused, and therefore must not be directed at people, animals, electrical devices or the unit itself. • This device is capable of producing high pressure as rated in Technical Specifications. To avoid rupture and injury, do not operate this machine with components rated less than the unit itself (including but not limited to spray guns, hose, and hose connections).
	<p>WARNING - INJECTION HAZARD</p> <p>Equipment can cause serious injury if the spray penetrates the skin. Do not point the gun at anyone or any part of the body. In case of penetration, seek medical aid immediately.</p>
	<p>CAUTION - DETERGENTS</p> <p>This device has been designed for use with detergents that are specifically approved for pressure washer use. The use of other cleaning detergents may affect the operation of the device and void the warranty.</p>
	<p>CAUTION - SPRAY GUN</p> <p>The spray gun kicks back, so hold it with both hands. The trigger gun safety lock prevents the trigger from being engaged accidentally. However, this safety feature DOES NOT lock the trigger in the ON position.</p>

SYMBOL	MEANING
	<p>CAUTION - WATER CONNECTIONS</p> <ul style="list-style-type: none">• For use with fresh and clean water only. Do not use this product with other liquids.• The water supply system must be protected against back flow.• Never use this product with water contaminated with solvents (e.g. paint thinners, gasoline, oil, etc.).• Always prevent debris from being drawn into the product by using a clean water source and an additional water filter, if required.• If this device is connected to a potable water system, the system must be protected against back flow.• Suitable water temperature: from 41°F to 104°F (5°C to 40°C)
	<p>CAUTION - USE</p> <ul style="list-style-type: none">• Learn how to stop the device and release the pressure quickly. Familiarize yourself with the controls.• Keep all connections dry and off the ground.• Avoid accidental starts. Shut power OFF before connecting or disconnecting the power cord.• Never carry the pressure washer by the cord.• Do not pull on the cord to disconnect from the outlet.• To allow for free air circulation, the pressure washer should not be covered during operation.• Do not operate the product when tired or under the influence of alcohol or drugs.• Do not stand on unstable surfaces. Stand with both feet balanced at all times.• Keep the operating area clear of people and pets.
	<p>IMPORTANT - MAINTENANCE</p> <ul style="list-style-type: none">• Any assembly, use or maintenance of the product must be carried out by adults only.• Follow the maintenance instructions specified in the manual.• If replacement of the power plug or cord is needed, use only identical replacement parts.• Repairing and replacing parts should be done by a certified technician.• Before servicing, cleaning or removal of any parts, shut the power OFF and release the pressure.

INTENDED APPLICATION

This product is designed for specific residential applications. Do not modify or use this product for any application other than the one it was designed for. This equipment was not designed for industrial use. Please refer to the icons below for suggested applications. For questions regarding other uses, please call us at 1-866-206-0888



IMPORTANT - INTENDED USE



STAIRS



DECK OR PATIO



LAWN EQUIPMENT



GARAGE FLOOR



VEHICLE



DRIVEWAY



FENCING



SIDING

SAFETY WARNING & ELECTRICAL INFORMATION

The pressure washer is equipped with a stop device that senses when the trigger on the spray gun is released. It will open the power circuit to the motor and cause the pressure washer motor to stop. The motor will start again when the trigger is pulled.



WARNING The pressure washer is also equipped with a main power ON/OFF switch. It should always be moved to the OFF position when the pressure washer is not being used to prevent possible injury or damage.

EXTENSION CORDS

If possible, do not use extension cords with this product. However, if you must use one, observe all warnings and instructions listed below:



WARNING Extension cords are not recommended unless they are plugged into a ground fault circuit-interrupter (GFCI) found in circuit boxes or protected receptacles.



CAUTION - USE A SUFFICIENT GAUGE

- Maximum cable length: 50' (15 m). Only use 14 AWG rated extension cords.
- Only use extension cords that are intended for outdoor use. These extension cords are identified by a marking that reads "Acceptable for use with outdoor appliances; store indoors while not in use."
- Only use extension cords that have an electrical rating not less than the rating

of the product (15 A).

- Do not use damaged extension cords. Examine the extension cord before using and replace it if damaged. Do not abuse extension cords and do not pull on any cord to disconnect the device.
- Keep cord away from heat and sharp edges.
- Always disconnect the extension cord from the power outlet before disconnecting the extension cord from the product.
- To reduce the risk of electric shock, keep all connections dry and off the ground. Do not touch the plug with wet hands.

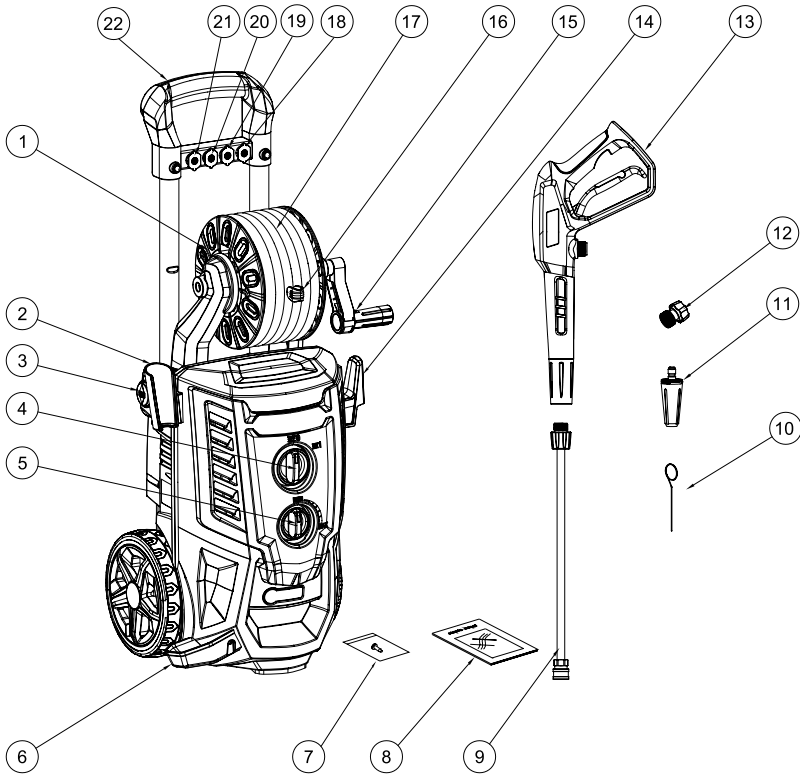
SERVICING OF A DOUBLE INSULTATED APPLIANCE

In a double insulated product, two systems of insulation are provided instead of grounding. Grounding means are not provided for a double insulated product, nor should grounding means be added to the product. Servicing a double insulated product requires extreme care and knowledge of the system and should only be done by qualified service personnel. Replacement parts for a double insulated product must be identical to the original parts. A double insulated product is marked with the words "Double Insulation" or "Double Insulated". Product may also be marked with symbol shown below.



UNPACKING

When unpacking this product, check to make sure parts listed below are included and carefully inspect for any damage that may have occurred during transit. If any part is missing and damaged, do not attempt to assemble or use the product.

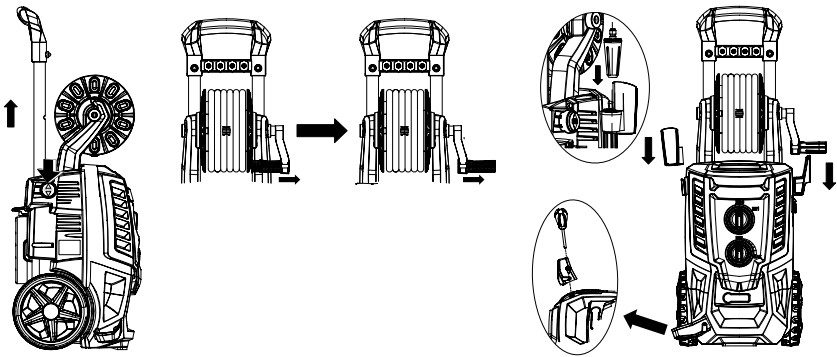


- | | |
|---|--------------------------------------|
| 1. Hose reel | 12. Water inlet connector |
| 2. Gun holder | 13. Gun |
| 3. Telescopic handle release button | 14. Power cord hook |
| 4. On/Off Switch | 15. Hose reel crank |
| 5. Detergent switch knob | 16. Hoseclip |
| 6. Gun saddle | 17. High pressure hose |
| 7. Screw (ST4.8x20) | 18. 0° Quick-Connect nozzle (red) |
| 8. Manual | 19. 25° Quick-Connect nozzle (green) |
| 9. Extension Wand | 20. 40° Quick-Connect nozzle (white) |
| 10. Cleaning pin (tapped on the manual) | 21. Soap nozzle (black) |
| 11. Turbo nozzle | 22. Telescopic handle |

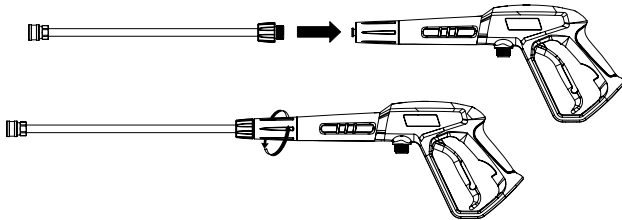
PREPARATION BEFORE OPERATION

HOW TO SET UP YOUR UNIT

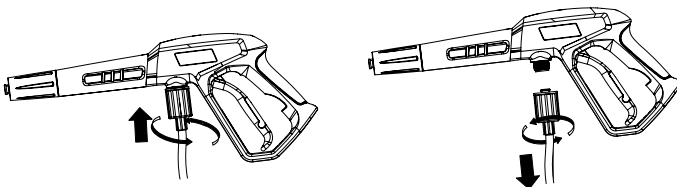
1. Push and press the telescopic handle release button, then pull upward the telescopic handle for moving the machine easily.
2. Push out the hose reel crank from the left to the right for easily rewinding and winding the hose to proper use or storage.
3. Install gun holder and power cable hook, vertically screwing the gun saddle tight to the main body as seen in the illustration. The screws will be packed together with the main body, check for them when you unpack the unit.



4. Insert the lance into the gun. Push and turn the adjustable nozzle clockwise onto the gun until hand tight to lock it in place. When the pieces are joined properly, you cannot separate the two components by pulling straight out on the lance. All attachments must be inserted into the gun for proper use.

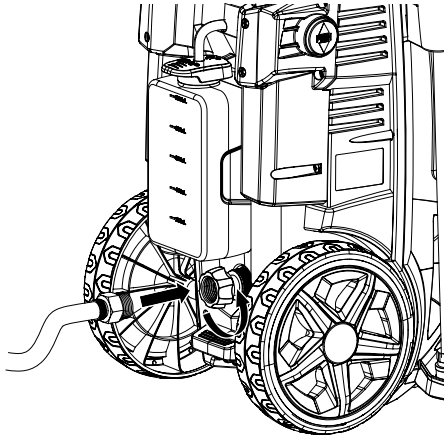


5. Attach spray gun to high pressure hose.



6. Attach the garden hose - Connect one end of the home garden hose (not supplied) to the water inlet connector and another end to water source.

⚠ WARNING The appliance is INTENDED to be used at a temperature above 32°F (0°C).



7. Connect to the power supply, plug the pressure washer into the power outlet.

OPERATION

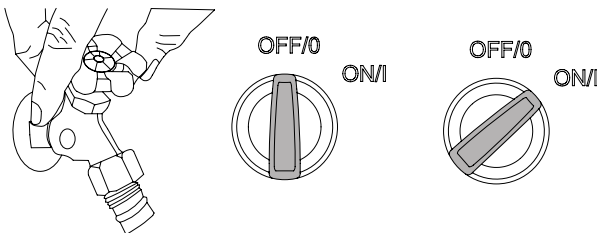
TO WASH WITH WATER

1. TURN ON THE WATER SUPPLY TAP

Connect the washer to the power supply and turn the switch to “ON/I” position. Then press trigger.

NOTE: Before pressing trigger, make sure lock-off switch is in “unlock” position.

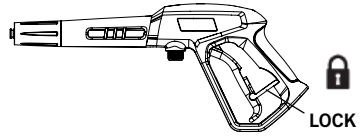
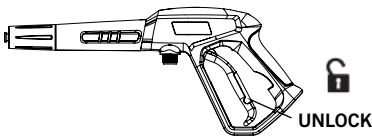
⚠ WARNING Do not start the machine without connecting and turning on the water supply because it may cause damage to high pressure seals and reduce the service life of the pump.



2. RELEASE THE TRIGGER AND TURN THE SWITCH TO “OFF/0” POSITION

Turn off the water supply tap.

NOTE: When not in use, make sure Lock-off switch is in “Lock” position.



3. SELECT THE RIGHT NOZZLES

Attach nozzle into the end of the lance by pressing selected nozzle into place, it will make a click sound when firmly in place. To remove nozzle, pull back on the collar on the lance and pull out the nozzle.

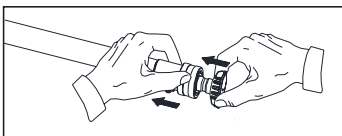
0° nozzle-red: This type of nozzle produces a vertical, stratified, high-pressure jet for surface cleaning with particularly severe dirt.

25° nozzle-green, 40° nozzle -white: These types of nozzles can produce the corresponding angle fan-shaped high-pressure jet, cleaning power, for large-scale dirt surface cleaning.

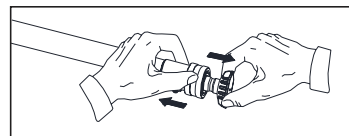
Soap nozzle - black: This nozzle is used to apply chemicals or cleaning solutions. It has the least power steam.

Turbo nozzle features a 0° pencil jet which rotates 360° for maximum dirt cutting action, effectively increasing cleaning performance up to 50%, this nozzle combines the clean ing performance of a 0° pencil jet with the surface coverage of a wide angle nozzle.

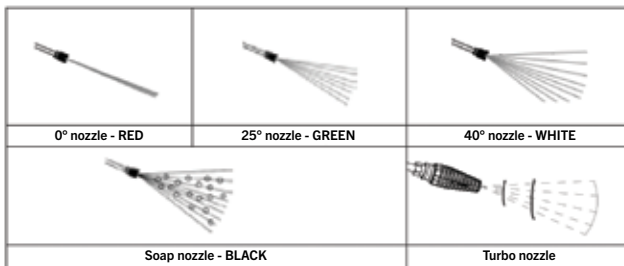
WARNING! Remember to change the nozzle when the gun is off, to ensure that they do not accidentally eject with force during removal.



PUSH IN THE NOZZLE



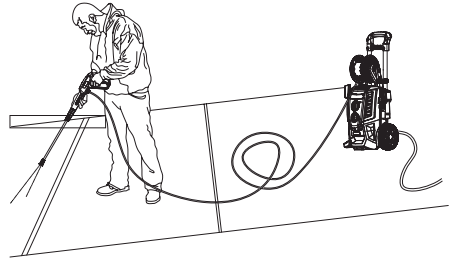
PULL OUT THE NOZZLE



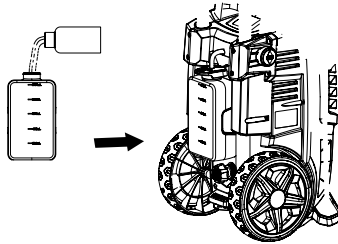
4. CLEANING

Begin with the nozzle 1-2ft (0.3m-0.6m) away from the surface and approach with caution until it reaches the - desired position for overly close spray may do harm to surface.

! WARNING Do not connect the machine to water supplies that are dirty, rusty, muddy, or corrosive. (Including window cleaning liquids, plant foods, or fertilizers etc.)



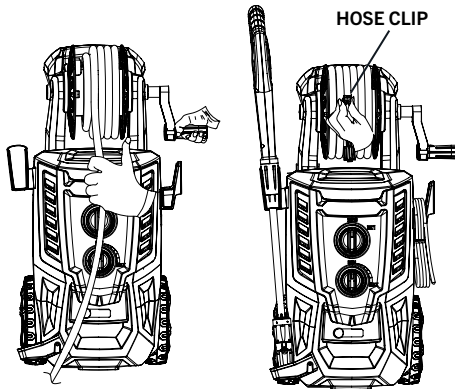
5. ADD AND USE DETERGENT



Unscrew the soap tank cap and add appropriate detergent. Then screw the soap tank cap back on. Install the soap nozzle, turn soap adjusting knob left and right to

NOTE: If necessary, use a funnel (not supplied) to prevent accidental overflow of detergent outside of the tank.

6. USING THE HOSE REEL



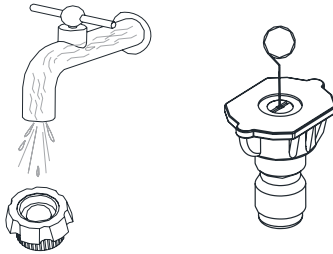
This machine is equipped with live hose reel. To unwind the hose, turn hose reel handle counterclockwise. To wind the hose, turn hose reel handle clockwise. There is a hose clip on the end of hose which is used to clamp onto the winded hose for storage.

NOTE: Pull the hose reel handle out and uncoil hose from the hose reel before use.

7. When you are finished turn the switch to “OFF/O” position.
8. Unplug the power cord from the power outlet.
9. Turn off water supply.
10. After motor and water supply are turned off, trigger gun to depressurize system.

MAINTENANCE

WATER FILTER AND NOZZLE CLEANING INSTRUCTIONS



A clogged or partially clogged water filter or nozzle can cause significant reduction of water pressure coming out of the nozzle and/or cause the unit to pulsate while spraying.

1. The water filter was installed inside the water inlet quick connector, should be cleaned periodically. Rinse it with clean tap water, and then place it back into the water inlet quick connector.
2. Using the nozzle tip cleaner provided (or an unfolded paper clip), insert the wire into the nozzle hole and move back and forth until debris is dislodged. Back flush water through the nozzles using garden hose and highest pressure available (either standard water nozzle or use your thumb over the nozzle to create water pressure for back flush).

STORAGE

Do not store pressure washer outdoors and store the pressure cleaner, parts, and accessories in an area with a temperature above 32°F (0°C).

Do not store pressure washer where it might freeze while there's water inside the machine.

Serious damage will occur to the water system, pump and / or motor.

TIPS FOR EXTENDING THE LIFE OF YOUR PRESSURE WASHER

1. Never operate machine without water.
2. Pressure washer is not meant to pump hot water. Never connect to hot water supply this will significantly reduce life of the pump.
3. Using detergent other than those formulated for pressure washers may cause damage to pump components (o-rings,etc.).This also applies to chemicals such as bleach, dish soap, etc.
4. Never operate unit for more than one minute without spraying water. Resulting heat buildup will damage pump.

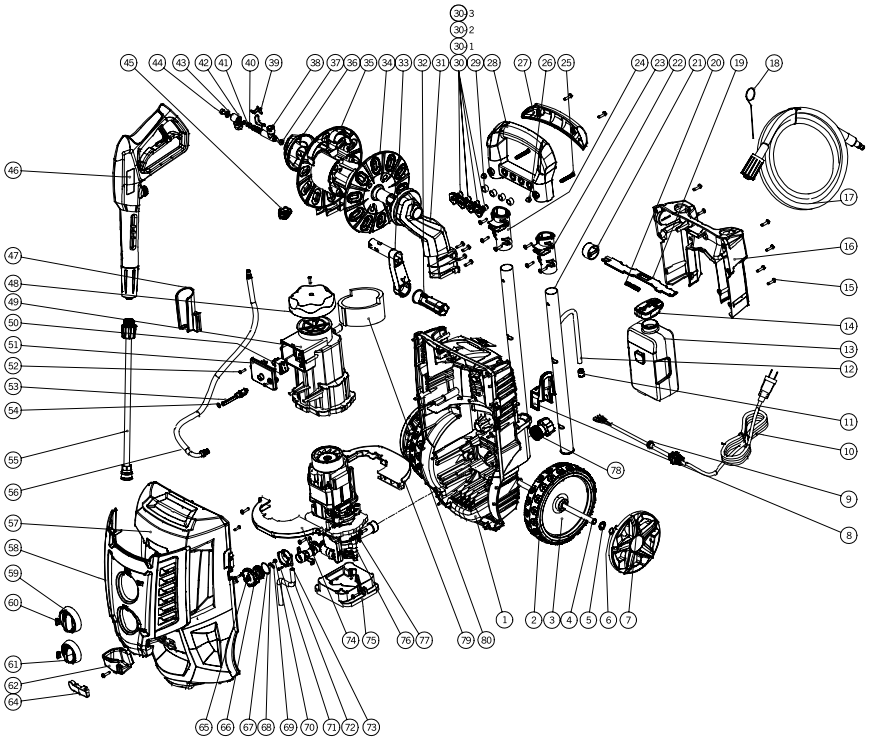
TROUBLESHOOTING

PROBLEM	SOLUTION
Unit will not turn on.	Make sure the power washer is in the "OFF" position. Plug in the electrical cord to a grounded 120 volt outlet (no electrical extension cord should be used). If the electrical cord will not plug into your outlet, your electrical outlet is not properly grounded and should not be used. Use another electrical outlet. Press the reset button on GFCI power box. If the colour of red is not visible in the little window on the GFCI, unplug and plug in again. Press reset, and look for the red colour in the window, this should remain red in colour. If the colour is staying red, turn the power switch on the power washer to "ON". Squeeze the trigger on the spray gun and try again. If this did not correct the problem, try plugging into another electrical outlet and repeat the above procedure.
The high pressure (HP) hose will not connect/ stay connected to the spray gun. Is this a spray gun problem?	In most cases, the spray gun is not the problem. The problem is the rubber sleeve covering the fitting at the end of the high pressure hose. It has likely slipped up toward the metal tip. The fix: wiggle, twist and/or pull the rubber sleeve down until the entire tip is visible plus an 1/8" of the metal fitting below the tip. Now try to insert the hose tip into the spray gun. It should "click" into place and will not come out until the hose is released by pushing in the lever on the underside of the gun. You may cut away the end of the sleeve with a sharp knife if unable to move the sleeve down. Be careful not to cut or puncture the hose.
The unit is running but there is no water flow.	Check the water source. Unclog the nozzle on the lance (See nozzle cleaning instructions under "Cleaning nozzles"). Or take off the lance and just spray out of the spray gun. This will indicate what the problem is with the lance.
Why is water leaking where the high pressure hose connects to the spray gun?	Make sure there is an O-ring at the end of the metal tip of the high pressure hose. If no O-ring is present, the connection between the hose and spray gun will leak.
I can't remove the lance from the spray gun. What should I do?	All lances and detergent tank are attached and removed from the spray gun in the same manner. Insert the quick-release end of the lance together (about a 1/8") and turn clockwise. The lance will lock in place. Remove the lance by reversing this procedure. Press the spray gun and lance together and turn counterclockwise. The lance will slide out. Or, hold the spray gun and lance in an upright position with the nozzle end on the floor. Push the whole assembly straight down to loosen the connection, and then follow the removal process again. You may also spray soapy water or a lubricant in the area where the lance connects to the spray gun.

The power washer turns on for 2 seconds, shuts off, and will not turn back on. Do I have a defective unit?

It sounds like your power washer is working just fine. When the water is connected, the accessories are assembled properly, and the power switch is turned on, the power washer may turn on for 1-2 seconds to prime the pump. It automatically shuts off and waits for the spray gun trigger to be pressed. When the trigger is pressed, water starts flowing through the pump. The water sensor in the pump "senses" the moving water and automatically turns the power washer on. Or, turn the power switch to off, hold in the trigger on the spray gun, so that you have a steady stream of water. While you are holding the trigger open on the spray gun, at the same time, turn the power switch on.

EXPLODED VIEW



PARTS LIST

Key #	Part Code	Part Name	Quantity
1	BUAK031001	Rear Housing	1
2	BUAK031002	Tire	2
3	BUAK031003	Wheel Hub	2
4	BUAK031004	Axle	1
5	BUAK031005	Flat Ring	2
6	BUAK031006	Axis Elastic Ring	2
7	BUAK031007	Wheel Cover	2
8	BUAK031008	Cord Hook	1
9	BUAK031009	Power Cord Cover	1
10	BUAK031010	Power Cord	1
11	BUAK031011	Detergent Tube Tip	1
12	BUAK031012	Detergent Tube	1
13	BUAK031013	Detergent Tank	1
14	BUAK031014	Detergent Tank Cap	1
15	BUAK031015	Screw St4.8*20	46
16	BUAK031016	Accessory Holder	1
17	BUAK031017	High Pressure Hose	1
18	BUAK031018	Nozzle Pin	1
19	BUAK031019	Trolley Lock Plate	1
20	BUAK031020	Trolley Lock Plate Spring	1
21	BUAK031021	Trolley Button	1
22	BUAK031022	Trolley	2
23	BUAK031023	Right Trolley Pipe	1
24	BUAK031024	Left Trolley Pipe	1
25	BUAK031025	Screw M6*42	2
26	BUAK031026	Screw Nut M6	2
27	BUAK031027	Handle Cover	1
28	BUAK031028	Handle	1
29	BUAK031029	Nozzle Cover	4
30	BUAK031030	0° Nozzle	1
30-1	BUAK031031	25° Nozzle	1
30-2	BUAK031032	40° Nozzle	1
30-3	BUAK031033	Low Pressure Nozzle	1
31	BUAK031034	Right Hose Frame	1
32	BUAK031035	Crank Handle Cover	1

33	BUAK031036	Crank Handle	1
34	BUAK031037	Right Hose Reel	1
35	BUAK031038	Left Hose Reel	1
36	BUAK031039	Left Hose Frame	1
37	BUAK031040	Screw M6*8	1
38	BUAK031041	Shaft Connector	1
39	BUAK031042	Bayonet	2
40	BUAK031043	O-Ring 7.5x2	1
41	BUAK031044	O-Ring 6.3x1.8	1
42	BUAK031045	Detergent Tank Sleeve Connector	1
43	BUAK031046	Open Retaining Ring	1
44	BUAK031047	Screw M6*10	1
45	BUAK031048	High Pressure Hose Clip	1
46	BUAK031049	Gun Part	1
47	BUAK031050	Gun Holder	1
48	BUAK031051	Motor Fan Housing Cover	1
49	BUAK031052	Motor Fan Housing	1
50	BUAK031053	Main Switch	1
51	BUAK031054	Switch Cover	1
52	BUAK031055	Screw St3.5*16	9
53	BUAK031056	Long Pole	1
54	BUAK031057	O-Ring 8x2	1
55	BUAK031058	Lance	1
56	BUAK031059	Built-In High Pressure Hose	1
57	BUAK031060	Front Housing	1
58	BUAK031061	Front Housing Ornamental	1
59	BUAK031062	Knob	1
60	BUAK031063	Knob Ornamental	2
61	BUAK031064	Liquid Adjustment Knob	1
62	BUAK031065	Gunstock	1
64	BUAK031066	Water Outlet Hole Cover	1
65	BUAK031067	Liquid Mixing Turntable	1
66	BUAK031068	Liquid Regulating Valve Cover	1
67	BUAK031069	O-Ring 26.5x1.8	1
68	BUAK031070	Adjusting Valve Needle	1
69	BUAK031071	O-Ring 5x2	1
70	BUAK031072	Valve Needle Spring	1

71	BUAK031073	Screw St3.5*12	1
72	BUAK031074	Built-In Straw	1
73	BUAK031075	Liquid Adjusting Valve Holder	1
74	BUAK031076	Motor Upper Clamp	1
75	BUAK031077	Motor Pump Holder	1
76	BUAK031078	Motor Pump Kit	1
77	BUAK031079	Wind Outlet Filter	1
78	BUAK031080	Water Inlet Screw	1
79	BUAK031081	Motor Bottom Clamp	1
80	BUAK031082	Wind Inlet Filter	1

WARRANTY

BENCHMARK HIGH PRESSURE CLEANER WARRANTY

If this Benchmark tool fails due to a defect in material or workmanship within three years from the date of purchase, it has a 3-year repair warranty with the original bill of sale. This warranty does not include expendable parts including but not limited to blades, brushes, belts, light bulbs and/or batteries. This warranty covers defects in material or workmanship only. It does not cover normal wear and tear, failure due to abuse/misuse, or defects caused by careless or accidental mishandling. If this Benchmark product is used for commercial or rental purposes, this warranty does not apply. For use at the consumer level. The warranty is not for industrial or commercial applications.

ELECTRIC PRESSURE WASHER 2100 PSI



3 Year Limited Warranty on tool

BENCHMARK™
MC

BENCHMARK TOOLS CANADA
ST. JACOBS, ONTARIO N0B 2N0
© 2021 Home Hardware Stores Limited

CUSTOMER SERVICE/TECH SUPPORT
1-866-206-0888

5044-035

Made in China



* This Benchmark™ product carries a three (3) year LIMITED warranty against defects in workmanship and materials. See Owner's Manual for full details.



**READ ALL INSTRUCTIONS BEFORE FIRST USE.
KEEP THIS MANUAL FOR FUTURE REFERENCE.
KEEP AWAY FROM CHILDREN.**



**WEAR CSA APPROVED
EYE PROTECTION**



**WEAR EAR
PROTECTION**



**WEAR A
FACE MASK**