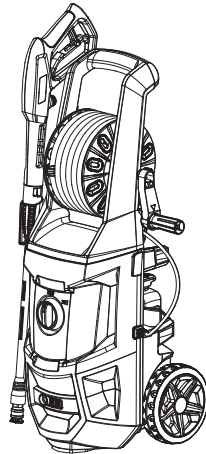


# Radley®

## 1900PSI PRESSURE WASHER

OWNER'S MANUAL



*2 Year  
warranty*

2 Year Limited Warranty on tool



**READ ALL INSTRUCTIONS BEFORE FIRST USE.  
KEEP THIS MANUAL FOR FUTURE REFERENCE.  
KEEP AWAY FROM CHILDREN.**



**WEAR CSA APPROVED  
EYE PROTECTION**



**WEAR EAR  
PROTECTION**



**WEAR FACE  
PROTECTION**

## **PRODUCT SPECIFICATIONS**

<b>1900PSI PRESSURE WASHER</b>	
Rated voltage	AC 120 V , 60 Hz
Rated current	13 A
Rated pressure	1300 PSI
Maximum pressure	1900 PSI
Maximum water inlet pressure	170 PSI
Maximum water inlet temperature	122°F / 50°C
Rated flow	1.4 GPM
Machine weight	18.3 lbs / 8.3 kg

### **NEED ASSISTANCE?**

Call us on our toll free customer support line:

1-866-206-0888 (Monday through Friday, 9am – 5pm, Eastern Standard Time)

- Technical questions
- Replacement parts
- Parts missing from package

**TABLE OF CONTENTS**

Product Specifications .....1  
Table of Contents ..... 2  
Safety Warnings ..... 3  
Included Pieces ..... 7  
Preparation for Operation ..... 8  
Operation .....11  
Maintenance ..... 14  
Troubleshooting .....15  
Exploded View ..... 17  
Parts .....18  
Warranty .....20

## **IMPORTANT!**

### **SAFETY INSTRUCTIONS**

## **ALL OPERATORS MUST READ THESE INSTRUCTIONS BEFORE USE**

### ***SAFETY WARNINGS***

#### **DANGER**

To reduce the risk of fire, electric shock, explosion or injury to people, read the following:

- This product is intended for domestic outdoor use only.
- The water spray must never be directed towards any electric wiring, devices, or directly towards the pressure washer itself, or fatal electric shock may occur.
- The pressure washer should not be used in areas where gas vapours may be present. An electric spark could cause an explosion or fire.
- Risk of explosion. When a combustible liquid is sprayed, there can be danger of fire or explosion, especially in a closed area. Therefore, do not spray flammable liquids.
- Do not use acids or solvents with this product. These products can cause physical injuries to the operator and irreversible damage to the device.
- Risk of electric shock. Inspect the cord before using the device. Do not use it if the cord is damaged.
- Risk of injury. Do not direct the water flow at people. The high-pressure jet can be dangerous if misused, and therefore must not be directed at people, animals, electrical devices or the unit itself.
- This device is capable of producing high pressure as rated in the Technical Specification.

To avoid rupture and injury, do not operate this machine with components rated less than the unit itself (including but not limited to spray guns, hose, and hose connections).

#### **WARNING - INJECTION HAZARD**

- Equipment can cause serious injury if the spray penetrates the skin. Do not point the gun at anyone or any part of the body. In case of penetration, seek medical aid immediately.

#### **CAUTION - DETERGENTS**

- This device has been designed for use with detergents that are specifically approved for pressure washer use. The use of other cleaning detergents may affect the operation of the device and void the warranty.

#### **CAUTION - SPRAY GUN**

- The spray gun kicks back, so hold it with both hands. The trigger gun safety lock prevents the trigger from being engaged accidentally. However, the safety feature DOES NOT lock the trigger in the ON position.

**⚠ CAUTION - WATER CONNECTIONS**

- For use with fresh and clean water only. Do not use this product with other liquids.
- The water supply system must be protected against back flow.
- Never use this product with water contaminated with solvents (e.g. paint thinners, gasoline, oil, etc.).
- Always prevent debris from being drawn into the product by using a clean water source and an additional water filter, if required.

**READ ALL INSTRUCTIONS BEFORE USING THIS PRESSURE WASHER**

- If this device is connected to a potable water system, the system must be protected against backflow.
- Suitable water temperature: from 5 to 40°C/41 to 104°F

**⚠ CAUTION - USE**

- Learn how to stop the device and release the pressure quickly. Familiarize yourself with the controls.
- Keep all connections dry and off the ground.
- Avoid accidental starts. Shut power OFF before connecting or disconnecting the power cord.
- Never carry the pressure washer by the cord.
- Do not pull on the cord to disconnect from the outlet.
- To allow for free air circulation, the pressure washer should not be covered during operation.
- Do not operate the product when tired or under the influence of alcohol or drugs.
- Do not stand on unstable surfaces. Stand with both feet balanced at all times.
- Keep the operating area clear of people and pets.

**⚠ IMPORTANT - MAINTENANCE**

- Any assembly, use or maintenance of the product must be carried out by adults only.
- Follow the maintenance instructions specified the manual.
- If replacement of the power plug or cord is needed, use only identical replacement parts.
- Repairing and replacing parts should be done by a certified technician.
- Before servicing, cleaning or removal of any parts, shut the power OFF and release the pressure.

**INTENDED APPLICATION**

This product is designed for specific residential applications. Do not modify or use this product for any application other than the one it was designed for. This equipment was not designed for industrial use. Please refer to the icons below for suggested applications. For questions regarding other uses, please call us at 1-866-206-0888.



## IMPORTANT



Stairs



Lawn  
equipment



Vehicle



Driveway



Siding



Fencing



Deck or patio



Garage  
floor

## SAVE THESE INSTRUCTIONS FOR REFERENCE

### SAFETY WARNING AND ELECTRICAL INFORMATION

The pressure washer is equipped with a stop device that senses when the trigger on the spray gun is released. It will open the power circuit to the motor and cause the pressure washer motor to stop. The motor will start again when the trigger is pulled.



#### WARNING

- The pressure washer is also equipped with a main power ON/OFF switch. It should always be moved to the OFF position when the pressure washer is not being used to prevent possible injury or damage.

### EXTENSION CORDS

If possible, do not use extension cords with this product. However, if you must use one, observe all warnings and instructions listed below:



#### WARNING

- Extension cords are not recommended unless they are plugged into a ground fault circuit-interrupter (GFCI) found in circuit boxes or protected receptacles.



#### CAUTION - USE A SUFFICIENT GAUGE

- Maximum cable length: 50'/15m. Only use 14 AWG rated extension cords.
- Only use extension cords that are intended for outdoor use. These extension cords are identified by a marking that reads "Acceptable for use with outdoor appliances; store indoors while not in use."
- Only use extension cords that have an electrical rating not less than the rating of the product (13 A).
- Do not use damaged extension cords. Examine the extension cord before using and replace it if damaged. Do not abuse extension cords and do not pull on any cord to disconnect the device.
- Keep cord away from heat and sharp edges.
- Always disconnect the extension cord from the power outlet before disconnecting the extension cord from the product.
- To reduce the risk of electric shock, keep all connections dry and off ground. Do not touch the plug with wet hands.

**SERVICING OF A DOUBLE INSULTATED APPLIANCE**

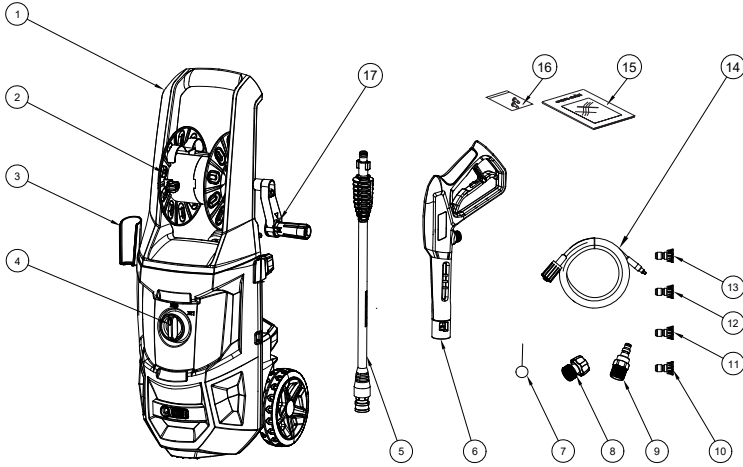
In a double insulated product, two systems of insulation are provided instead of grounding. Grounding means are not provided for a double insulated product, nor should grounding means be added to the product. Servicing a double insulated product requires extreme care and knowledge of the system, and should only be done by qualified service personnel.

Replacement parts for a double insulated product must be identical to the original parts. A double insulated product is marked with the words "Double Insulation" or "Double Insulated". Product may also be marked with symbol shown below.

**READ ALL INSTRUCTIONS BEFORE USING THIS PRESSURE WASHER**

## INCLUDED PIECES

When unpacking this product, check to make sure parts listed below are included and carefully inspect for any damage that may have occurred during transit. If any part is missing and damaged, do not attempt to assemble or use the product.



- |  |                                       |
|--|---------------------------------------|
| 1. Handle  | 2. Hose reel                          |
| 3. Gun holder  | 4. On / Off switch                    |
| 5. Extension Wand                                      | 6. Gun                                |
| 7. Cleaning pin (tapped on the manual)                 | 8. Water inlet connector (on machine) |
| 9. Hose connect adapter (Quick release-thread connect) |                                       |
| 10. 0°Quick-Connect nozzle (red)                       |                                       |
| 11. 25°Quick-Connect nozzle (green)                    | 12. 40°Quick-Connect nozzle (white)   |
| 13. Soap nozzle (black)                                | 14. High pressure hose                |
| 15. Manual   | 16. Screws (ST4.8×20)                 |
| 17. Crank  |                                       |

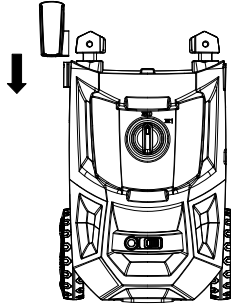


## PREPARATION FOR OPERATION

**ALWAYS USE THE HANDLE TO TRANSPORT.**

### HOW TO SET UP YOUR UNIT

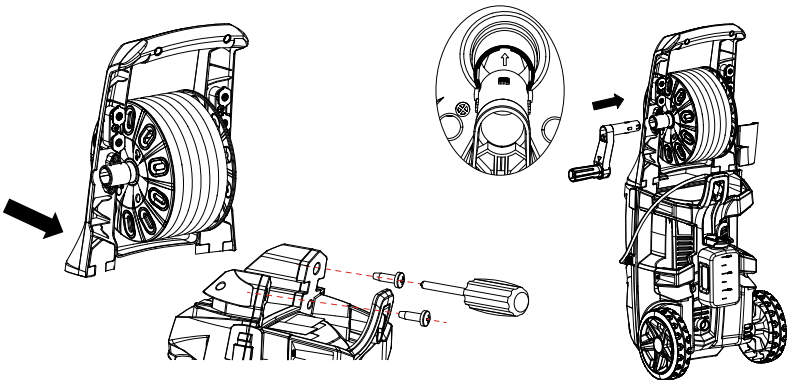
1. Install gun holder.



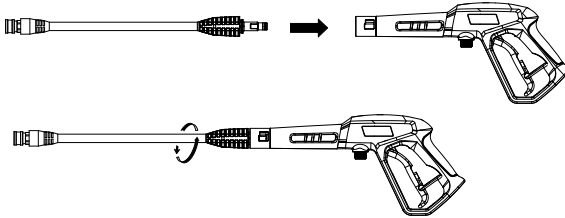
2. Install hose reel handle to machine body with two screws in the package.

**NOTE:** When you have screws assembled, it means that the hose reel handle has been assembled successfully.

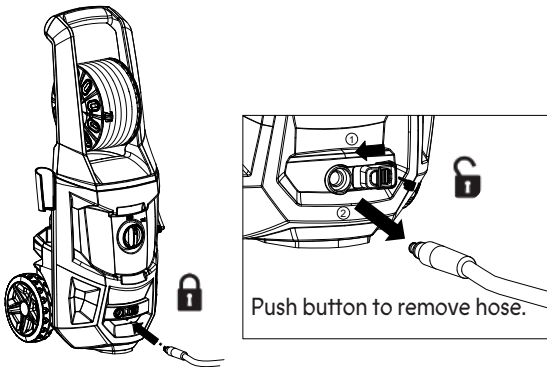
3. Install hose reel crank to hose reel handle after have the grooves aligned.



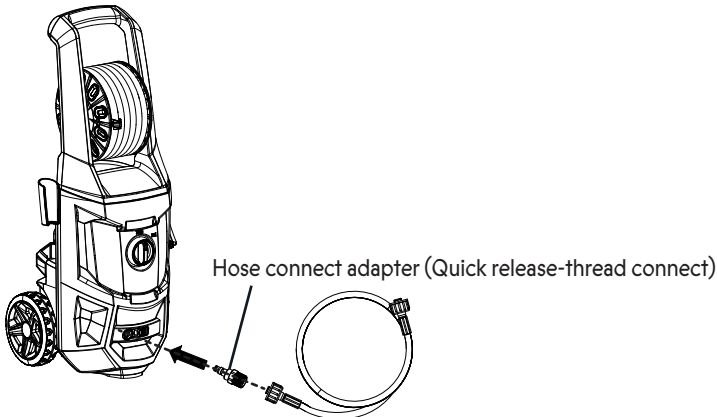
4. Insert the lance into the gun. Push and turn the lance clockwise onto the gun until hand tight to lock it in place. When the pieces are joined properly, you cannot separate the two components by pulling straight out on the lance. All attachments must be inserted into the gun for proper use.



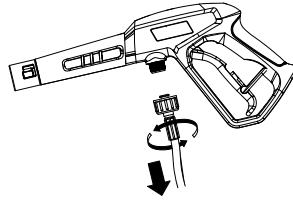
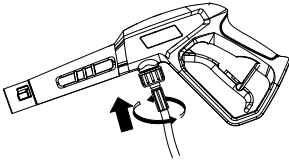
5. Attach the high pressure hose to the pressure water outlet of the machine.



If there is a hose with universal connector at hand to use, attach the hose connect adapter (Quick release-thread connect) to the outlet of the machine, then connect the hose to the thread end of hose connect adapter.

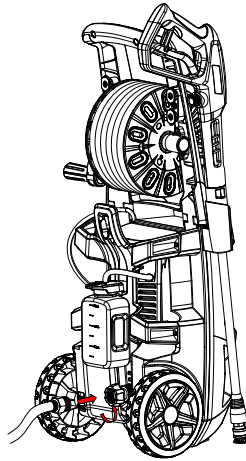


6. Attach the high pressure hose to the gun.



7. Attach the garden hose. Connect one end of the home garden hose (not supplied) to the adapter and another end to water source.

**WARNING:** The appliance is intended to be used at a temperature above 32°F/ 0°C.



8. Connect to the power supply, plug the pressure washer into the power outlet.

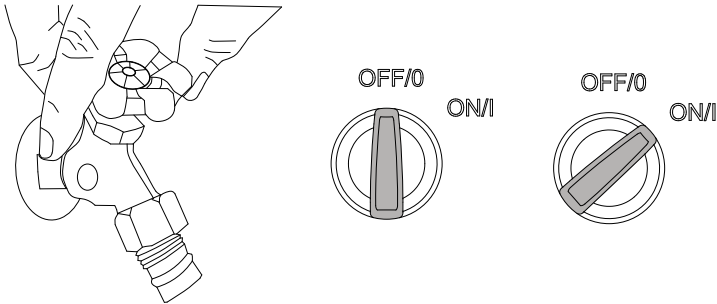
## OPERATION

### TO WASH WITH WATER

1. Turn on the water supply tap. Connect the washer to the power supply and turn the switch to “ON/I” position. Then press trigger.

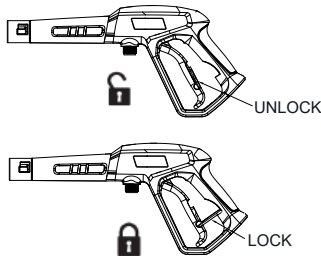
**NOTE:** Before pressing trigger, make sure lock-off switch on the trigger is in “unlock” position.

**WARNING:** Do not start the machine without connecting and turning on the water supply because it may cause damage to high pressure seals and reduce the service life of the pump.



2. Release the trigger and turn the switch to “OFF/O” position. Turn off the water supply tap.

**NOTE:** When not in use, make sure Lock-off switch is in “Lock” position.



3. Select the right nozzles. Attach nozzle into the end of the lance by pressing selected nozzle into place. It will make a click sound when firmly place. To remove nozzle, pull back on the collar on the lance and pull out the nozzle.

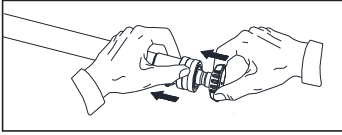
**0°NOZZLE-RED:** This type of nozzle produces a vertical, stratified, high-pressure jet for surface cleaning with particularly severe dirt.

**25°NOZZLE-GREEN, 40°NOZZLE -WHITE:** These types of nozzles can produce the corresponding angle fan-shaped high-pressure jet, cleaning power, for large scale dirt surface cleaning.

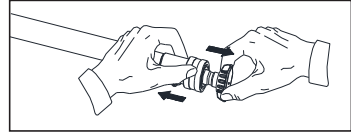
**SOAP NOZZLE-BLACK:** This nozzle is used to apply chemicals or cleaning solutions. It

has the least power stream.

**WARNING!** Remember to change the nozzle when the gun is off, to ensure that they do not accidentally eject with force during removal.



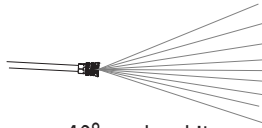
Pull in the nozzle.



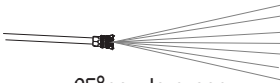
Pull out the nozzle.



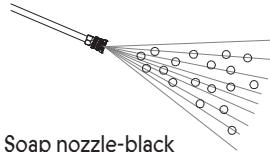
0°nozzle-red



40°nozzle-white



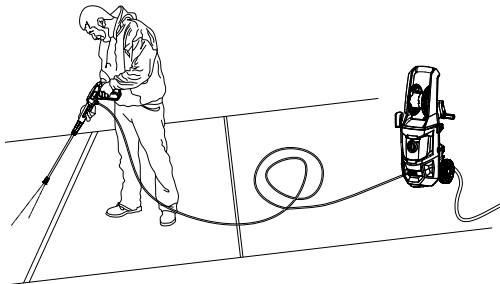
25°nozzle-green



Soap nozzle-black

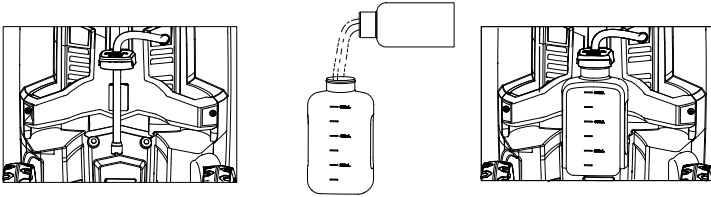
4. Cleaning. Begin with the nozzle 1-2'/30-61 cm away from the surface and approach with caution until it reaches the desired position for overly close spray may do harm to surface.

**WARNING:** Do not connect the machine to water supplies that are dirty, rusty, muddy, or corrosive. (Including window cleaning liquids, plant foods, or fertilizers etc.)



5. Add and use detergent. Detach the soap tank cap and add appropriate detergent. Then install the soap tank cap. Attach the soap nozzle, turn soap adjusting knob left and right to decrease and increase the dosage.

**NOTE :** If necessary, use a funnel (not supplied) to prevent accidental overflows of detergent outside of the tank.

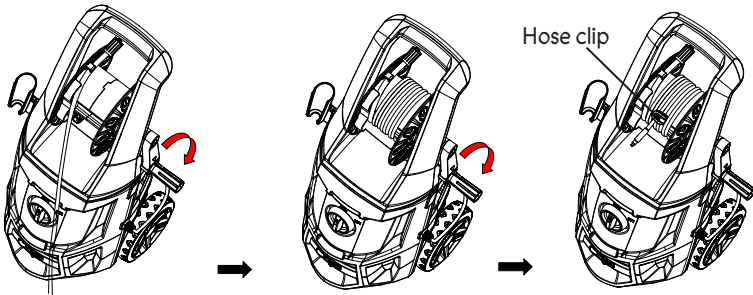


6. Use the hose reel for storage only. Insert thread end of the hose into the hook on the hose reel.

To wind the hose, turn hose reel handle clockwise, then lock the quick-connect end of the hose onto the coiled hose by the hose clip;

To unwind the hose, turn hose reel handle counterclockwise;

**NOTE:** Pull the hose reel handle out and uncoil hose from the hose reel before use.

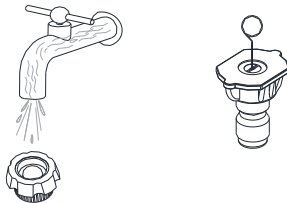


## MAINTENANCE

### WATER FILTER AND NOZZLE CLEANING INSTRUCTIONS

A clogged or partially clogged water filter or nozzle can cause significant reduction of water pressure coming out of the nozzle and/or cause the unit to pulsate while spraying.

1. The water filter was installed inside the water inlet quick connector, should be cleaned periodically. Rinse it with clean tap water, and then place it back into the water inlet quick connector.



2. Using the nozzle tip cleaner provided (or an unfold paper clip), insert the wire into the nozzle hole and move back and forth until debris is dislodged. Back flush water through the nozzles using garden hose and highest pressure available (either standard water nozzle or use your thumb over the nozzle to create water pressure for back flush).

## STORAGE

Do not store pressure washer outdoors.

Do not store pressure washer where it might freeze while there's water inside the machine.

Serious damage will occur to the water system, pump and / or motor.

### TIPS FOR EXTENDING THE LIFE OF YOUR PRESSURE WASHER

1. Never operate machine without water.
2. Pressure washer is not meant to pump hot water. Never connect to hot water supply this will significantly reduce life of the pump.
3. Using detergent other than those formulated for pressure washers may cause damage to pump components (o-rings, etc.). This also applies to chemicals such as bleach, dish soap, etc.
4. Never operate unit for more than one minute without spraying water. Resulting heat buildup will damage pump.

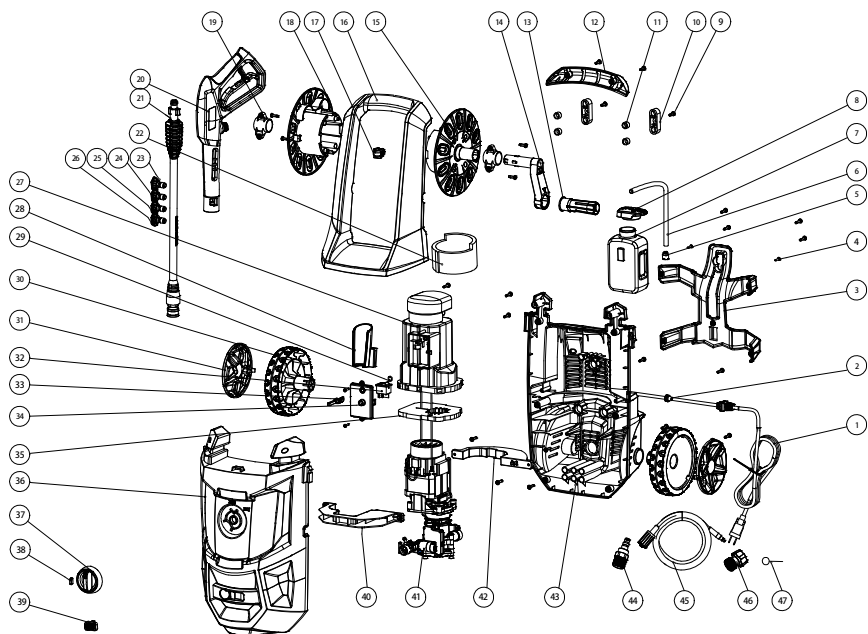
## TROUBLESHOOTING

PROBLEM	POSSIBLE CAUSE AND SOLUTION
<p>Unit will not start.</p>	<p>Make sure the power washer is in the "OFF" position. Plug in the electrical cord, to a grounded 120 volt outlet (no electrical extension cord should be used). If the electrical cord will not plug into your outlet, your electrical outlet is not properly grounded and should not be used. Use another electrical outlet. Press the reset button on GFCI power box. If the color of red is not visible in the little window on the GFCI, unplug and plug in again. Press reset, and look for the red color in the window, this should remain red in color. If the color is staying red,</p> <p>Turn the power switch on the power washer to "ON". Squeeze the trigger on the spray gun and try again.</p> <p>If this did not correct the problem, try plugging into another electrical outlet and repeat the above procedure.</p>
<p>The high pressure (HP) hose will not connect/stay connected to the spray gun. Is this a spray gun problem?</p>	<p>In most cases, the spray gun is not the problem. The problem is the rubber sleeve covering the fitting at the end of the high pressure hose. It has likely slipped up toward the metal tip. The fix: wiggle, twist and/or pull the rubber sleeve down until the entire tip is visible plus an 1/8" / 3.175 mm of the metal fitting below the tip. Now try to insert the hose tip into the spray gun. It should "click" into place and will not come out until the hose is released by pushing in the lever on the underside of the gun. You may cut away the end of the sleeve with a sharp knife if unable to move the sleeve down. Be careful not to cut or puncture the hose</p>
<p>The unit is running but there is not water flow.</p>	<p>Check the water source. Unclog the nozzle on the lance. (See nozzle cleaning instruction under "Cleaning nozzles".) Or take off the lance and just spray out of the spray gun. This will indicate if the problem is with the lance.</p>
<p>Why is water leaking where the high pressure hose connects to the spray gun?</p>	<p>Make sure there is an o-ring at the end of the metal tip of the high pressure hose. If no o-ring is present, the connection between the hose and spray gun will leak.</p>



<p>I can't remove the lance from the spray gun. What should I do?</p>	<p>All lances and detergent tank are attached and removed from the spray gun in the same manner. Insert the quick-release end of the lance together (about <math>1/8''/3.175</math> mm) and turn clockwise. The lance will lock in place. Remove the lance by reversing this procedure. Press the spray gun and lance together and turn counterclockwise. The lance will slide out. Or, hold the spray gun and lance in an upright position with the nozzle end on the floor. Push the whole assembly straight down to loosen the connection, and then follow the removal process again. You may also spray soapy water or a lubricant in the area where the lance connects to the spray gun.</p>
<p>The power washer turns on for 2 seconds, shuts off, and will not turn back on. Do I have a defective unit?</p>	<p>It sounds like your power washer is working just fine. When the water is connected, the accessories are assembled properly, and the power switch is turned on, the power washer may turn on for 1-2 seconds to prime the pump. It automatically shuts off and waits for the spray gun trigger to be pressed. When the trigger is pressed, water starts flowing through the pump. The water sensor in the pump "sense" the moving water and automatically turns the power washer on. Or the power switch to off, hold in the trigger on the spray gun, so that you have a steady stream of water. While you are holding the trigger open on the spray gun, at the same time, turn the power switch on.</p>

## EXPLODED VIEW



**PARTS LIST**

**⚠ WARNING:** When servicing, use only original equipment replacement parts. The use of any other parts may create a safety hazard or cause damage to the Pressure Washer.

Any attempt to repair or replace electrical parts on this Pressure Washer may create a safety hazard unless repairs are performed by a qualified technician. For more information, call the Toll-free Helpline, at 1-866-206-0888 — Monday-Friday, from 9am - 5pm, Eastern Standard Time.

POS. NO	PART SKU	PART NAME	QUANTITY
1	BUAK021001	power cord	1
2	BUAK021002	power cord cover	1
3	BUAK021003	accessory holder	1
4	BUAK021004	screw ST3.5*16	7
5	BUAK021005	detergent tube tip	1
6	BUAK021006	detergent tube	1
7	BUAK021007	detergent tank	1
8	BUAK021008	detergent tank cap	1
9	BUAK021009	screw ST4.8*20	24
10	BUAK021010	quick nozzle holder	2
11	BUAK021011	nozzle cover	4
12	BUAK021012	handle cover	1
13	BUAK021013	crank handle cover	1
14	BUAK021014	crank handle	1
15	BUAK021015	right hose reel	1
16	BUAK021016	handle	1
17	BUAK021017	high pressure hose clip	1
18	BUAK021018	left hose reel	1
19	BUAK021019	hose reel fixed cover	2
20	BUAK021020	gun	1
21	BUAK021021	lance	1
22	BUAK021022	wind inlet filter	1
23	BUAK021023	0° nozzle	1
24	BUAK021024	25° nozzle	11
25	BUAK021025	40° nozzle	11
26	BUAK021026	low pressure nozzle	11

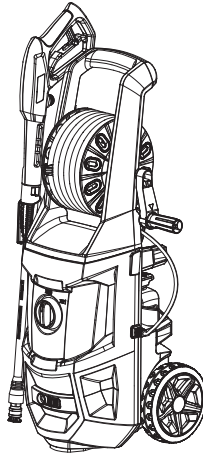
27	BUAK021027	motor fan housing	11
28	BUAK021028	gun holder	1
29	BUAK021029	O-ring 8*2	1
30	BUAK021030	wheel	2
31	BUAK021031	wheel cover	2
32	BUAK021032	main switch	1
33	BUAK021033	switch pole	1
34	BUAK021034	switch cover	1
35	BUAK021035	wind outlet filter	1
36	BUAK021036	front housing	1
37	BUAK021037	knob	1
38	BUAK021038	knob ornamental	1
39	BUAK021039	water outlet button	1
40	BUAK021040	motor upper clamp	1
41	BUAK021041	motor pump kit	1
42	BUAK021042	motor bottom clamp	1
43	BUAK021043	rear housing	1
44	BUAK021044	hose connect adapter (quick release-thread connect)	1
45	BUAK021045	high pressure hose	1
46	BUAK021046	water inlet screw	1
47	BUAK021047	nozzle pin	1

***WARRANTY*****RADLEY PRESSURE WASHER WARRANTY**

If this Radley tool fails due to a defect in material or workmanship within two years from the date of purchase, it has a 2-year repair warranty with the original bill of sale. This warranty does not include expendable parts including but not limited to blades, brushes, belts, light bulbs and or batteries. This warranty covers defects in material or workmanship only. It does not cover normal wear and tear, failure due to abuse misuse, or defects caused by careless or accidental mishandling. If this Radley product is used for commercial or rental purposes, this warranty does not apply. For use at the consumer level. The warranty is not for industrial or commercial applications.

# 1900PSI PRESSURE WASHER

## OWNER'S MANUAL



2 Year Limited Warranty on tool

**Radley®**

**RADLEY TOOLS**  
ST. JACOBS, ONTARIO N0B 2N0  
© 2021 Home Hardware Stores Limited  
**1-866-206-0888**  
Customer Service/Tech Support

**5044-033**

Made in China

**2Year  
warranty**

This Radley® product carries a two (2) year LIMITED warranty against defects in workmanship and materials. See Owner's Manual for full details.



**READ ALL INSTRUCTIONS BEFORE FIRST USE.  
KEEP THIS MANUAL FOR FUTURE REFERENCE.  
KEEP AWAY FROM CHILDREN.**



**WEAR CSA APPROVED  
EYE PROTECTION**



**WEAR EAR  
PROTECTION**



**WEAR FACE  
PROTECTION**