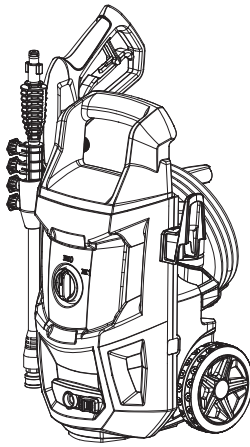


Radley®

1600PSI PRESSURE WASHER

OWNER'S MANUAL



*2 Year
warranty*

2 Year Limited Warranty on tool



**READ ALL INSTRUCTIONS BEFORE FIRST USE.
KEEP THIS MANUAL FOR FUTURE REFERENCE.
KEEP AWAY FROM CHILDREN.**



**WEAR CSA APPROVED
EYE PROTECTION**



**WEAR EAR
PROTECTION**



**WEAR FACE
PROTECTION**

PRODUCT SPECIFICATIONS

1600PSI PRESSURE WASHER	
Rated voltage	AC 120 V , 60 Hz
Rated current	11.5 A
Rated pressure	1150 PSI
Maximum pressure	1600 PSI
Maximum water inlet pressure	170 PSI
Maximum water inlet temperature	122°F / 50°C
Rated flow	1.4 GPM
Machine weight	14.5 lbs / 6.6 kg

NEED ASSISTANCE?

Call us on our toll free customer support line:

1-866-206-0888 (Monday through Friday, 9am – 5pm, Eastern Standard Time)

- Technical questions
- Replacement parts
- Parts missing from package

TABLE OF CONTENTS

Product Specifications	1
Table of Contents	2
Safety Warnings	3
Included Pieces	7
Preparation for Operation	8
Operation	11
Maintenance	14
Troubleshooting	15
Exploded View	17
Parts	18
Warranty	20

IMPORTANT!

SAFETY INSTRUCTIONS

ALL OPERATORS MUST READ THESE INSTRUCTIONS BEFORE USE

SAFETY WARNINGS

DANGER

To reduce the risk of fire, electric shock, explosion or injury to people, read the following:

- This product is intended for domestic outdoor use only.
- The water spray must never be directed towards any electric wiring, devices, or directly towards the pressure washer itself, or fatal electric shock may occur.
- The pressure washer should not be used in areas where gas vapours may be present. An electric spark could cause an explosion or fire.
- Risk of explosion. When a combustible liquid is sprayed, there can be danger of fire or explosion, especially in a closed area. Therefore, do not spray flammable liquids.
- Do not use acids or solvents with this product. These products can cause physical injuries to the operator and irreversible damage to the device.
- Risk of electric shock. Inspect the cord before using the device. Do not use it if the cord is damaged.
- Risk of injury. Do not direct the water flow at people. The high-pressure jet can be dangerous if misused, and therefore must not be directed at people, animals, electrical devices or the unit itself.
- This device is capable of producing high pressure as rated in the Technical Specification.

To avoid rupture and injury, do not operate this machine with components rated less than the unit itself (including but not limited to spray guns, hose, and hose connections).

WARNING - INJECTION HAZARD

- Equipment can cause serious injury if the spray penetrates the skin. Do not point the gun at anyone or any part of the body. In case of penetration, seek medical aid immediately.

CAUTION - DETERGENTS

- This device has been designed for use with detergents that are specifically approved for pressure washer use. The use of other cleaning detergents may affect the operation of the device and void the warranty.

CAUTION - SPRAY GUN

- The spray gun kicks back, so hold it with both hands. The trigger gun safety lock prevents the trigger from being engaged accidentally. However, the safety feature DOES NOT lock the trigger in the ON position.

⚠ CAUTION - WATER CONNECTIONS

- For use with fresh and clean water only. Do not use this product with other liquids.
- The water supply system must be protected against back flow.
- Never use this product with water contaminated with solvents (e.g. paint thinners, gasoline, oil, etc.).
- Always prevent debris from being drawn into the product by using a clean water source and an additional water filter, if required.

READ ALL INSTRUCTIONS BEFORE USING THIS PRESSURE WASHER

- If this device is connected to a potable water system, the system must be protected against backflow.
- Suitable water temperature: from 5 to 40°C/41 to 104°F.

⚠ CAUTION - USE

- Learn how to stop the device and release the pressure quickly. Familiarize yourself with the controls.
- Keep all connections dry and off the ground.
- Avoid accidental starts. Shut power OFF before connecting or disconnecting the power cord.
- Never carry the pressure washer by the cord.
- Do not pull on the cord to disconnect from the outlet.
- To allow for free air circulation, the pressure washer should not be covered during operation.
- Do not operate the product when tired or under the influence of alcohol or drugs.
- Do not stand on unstable surfaces. Stand with both feet balanced at all times.
- Keep the operating area clear of people and pets.

⚠ IMPORTANT - MAINTENANCE

- Any assembly, use or maintenance of the product must be carried out by adults only.
- Follow the maintenance instructions specified the manual.
- If replacement of the power plug or cord is needed, use only identical replacement parts.
- Repairing and replacing parts should be done by a certified technician.
- Before servicing, cleaning or removal of any parts, shut the power OFF and release the pressure.

INTENDED APPLICATION

This product is designed for specific residential applications. Do not modify or use this product for any application other than the one it was designed for. This equipment was not designed for industrial use. Please refer to the icons below for suggested applications. For questions regarding other uses, please call us at 1-833-818-4111.



IMPORTANT



Stairs



Lawn
equipment



Vehicle



Driveway



Siding



Fencing



Deck or patio



Garage
floor

SAVE THESE INSTRUCTIONS FOR REFERENCE

SAFETY WARNING AND ELECTRICAL INFORMATION

The pressure washer is equipped with a stop device that senses when the trigger on the spray gun is released. It will open the power circuit to the motor and cause the pressure washer motor to stop. The motor will start again when the trigger is pulled.



WARNING

- The pressure washer is also equipped with a main power ON/OFF switch. It should always be moved to the OFF position when the pressure washer is not being used to prevent possible injury or damage.

EXTENSION CORDS

If possible, do not use extension cords with this product. However, if you must use one, observe all warnings and instructions listed below:



WARNING

- Extension cords are not recommended unless they are plugged into a ground fault circuit-interrupter (GFCI) found in circuit boxes or protected receptacles.



CAUTION - USE A SUFFICIENT GAUGE

- Maximum cable length: 50' (15 m). Only use 14 AWG rated extension cords.
- Only use extension cords that are intended for outdoor use. These extension cords are identified by a marking that reads "Acceptable for use with outdoor appliances; store indoors while not in use."
- Only use extension cords that have an electrical rating not less than the rating of the product (15 A).
- Do not use damaged extension cords. Examine the extension cord before using and replace it if damaged. Do not abuse extension cords and do not pull on any cord to disconnect the device.
- Keep cord away from heat and sharp edges.
- Always disconnect the extension cord from the power outlet before disconnecting the extension cord from the product.
- To reduce the risk of electric shock, keep all connections dry and off ground. Do not touch the plug with wet hands.

SERVICING OF A DOUBLE INSULTATED APPLIANCE

In a double insulated product, two systems of insulation are provided instead of grounding. Grounding means are not provided for a double insulated product, nor should grounding means be added to the product. Servicing a double insulated product requires extreme care and knowledge of the system, and should only be done by qualified service personnel.

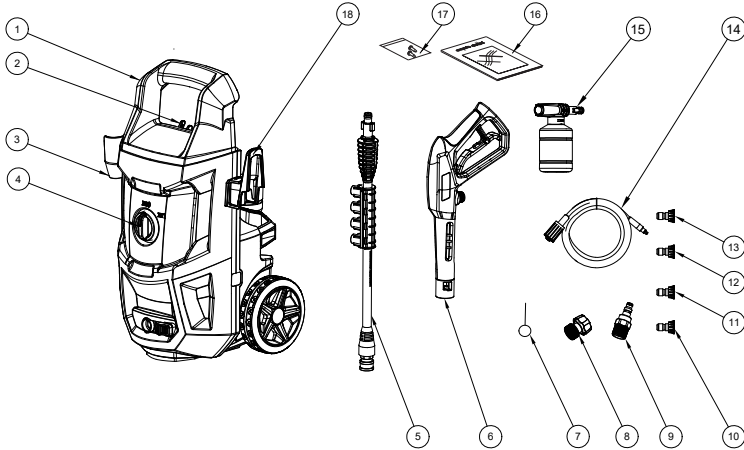
Replacement parts for a double insulated product must be identical to the original parts.

A double insulated product is marked with the words "Double Insulation" or "Double Insulated". Product may also be marked with symbol shown below.

**READ ALL INSTRUCTIONS BEFORE USING THIS PRESSURE WASHER**

INCLUDED PIECES

When unpacking this product, check to make sure parts listed below are included and carefully inspect for any damage that may have occurred during transit. If any part is missing and damaged, do not attempt to assemble or use the product.



- | | |
|--|-------------------------------------|
| 1. Handle | 2. Detergent bottle holder |
| 3. Gun holder | 4. Switch |
| 5. Extension Wand | 6. Gun |
| 7. Cleaning pin | 8. Water inlet connector |
| 9. Hose connect adapter (Quick release-thread connect) | |
| 10. 0°Quick-Connect nozzle (red) | |
| 11. 15°Quick-Connect nozzle (yellow) | 12. 25°Quick-Connect nozzle (green) |
| 13. 40°Quick-Connect nozzle (white) | 14. High pressure hose |
| 15. Detergent bottle | 16. Manual |
| 17. Screws (ST4.8×20) | 18. Power cord hook |

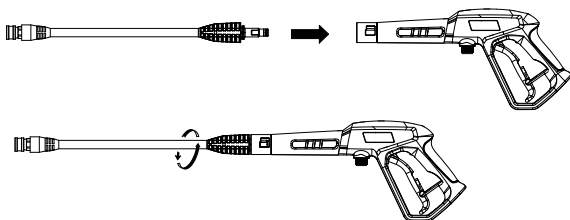
PREPARATION FOR OPERATION

ALWAYS USE THE HANDLE TO TRANSPORT.

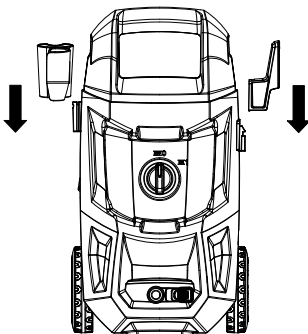
HOW TO SET UP YOUR UNIT

1. Attach the extension wand to the gun.

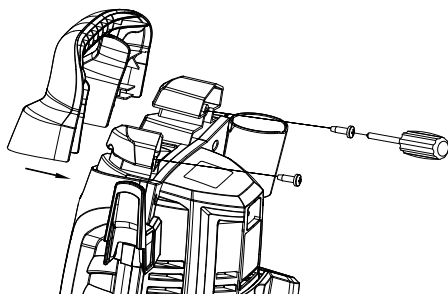
NOTE: When attaching, align the two projections on the wand with the grooves on the gun. Then insert the wand into gun and rotate for assembly securely.



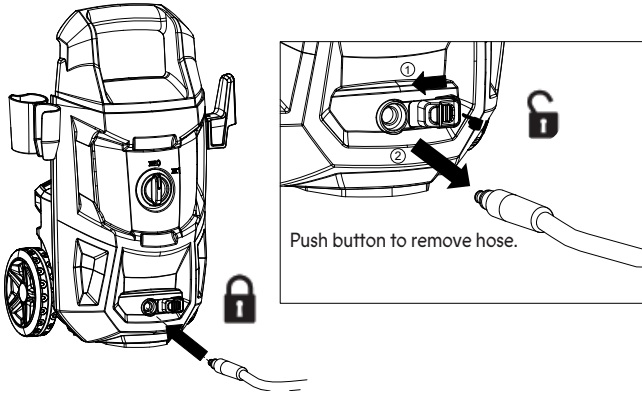
2. Install gun holder, power cord hook.



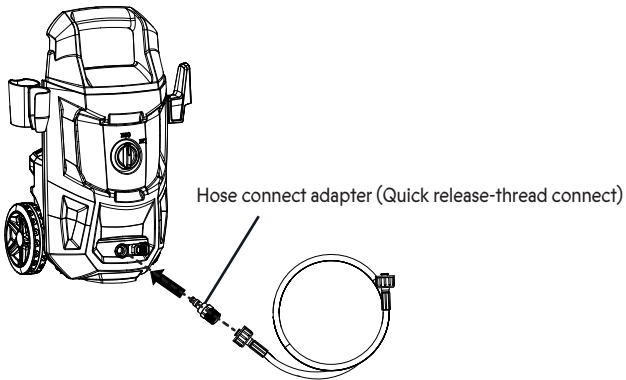
3. Screw the lift handle tight to the main body with two ST4.8×20 screws.



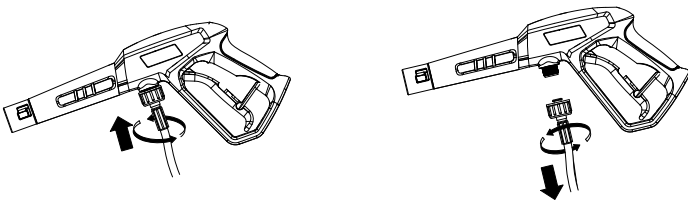
4. Attach the high pressure hose to the pressure water outlet of the machine.



If there is a hose with universal connector at hand to use, attach the hose connect adapter (Quick release-thread connect) to the outlet of the machine, then connect the hose to the thread end of hose connect adapter.

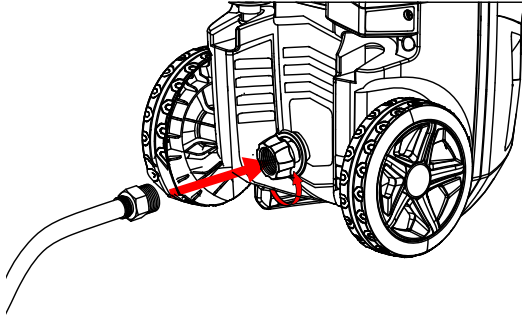


5. Attach the high pressure hose to the gun.



6. Attach the garden hose. Connect one end of the garden hose (not supplied) to the adapter and another end to water source.

WARNING: The appliance is intended to be used at a temperature above 32°F/ 0°C.



7. Connect to the power supply, plug the pressure washer into the power outlet. Before pressing trigger, make sure lock-off switch is in “unlock” position.

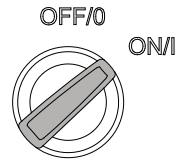
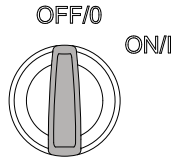
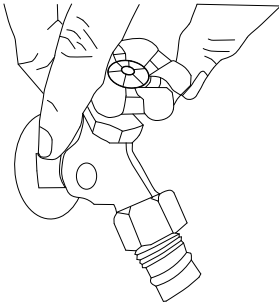
OPERATION

TO WASH WITH WATER

1. Turn on the water supply tap. Connect the washer to the power supply and turn the switch to “ON/I” position. Then press trigger.

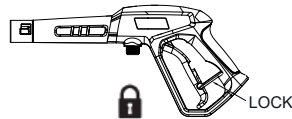
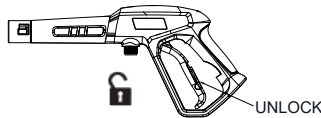
NOTE: Before pressing trigger, make sure lock-off switch on the trigger is in “unlock” position.

WARNING: Do not start the machine without connecting and turning on the water supply because it may cause damage to high pressure seals and reduce the service life of pump.



2. Release the trigger and turn the switch to “OFF/O” position. Turn off the water supply tap.

NOTE: When not in use, make sure Lock-off switch is in “Lock” position.

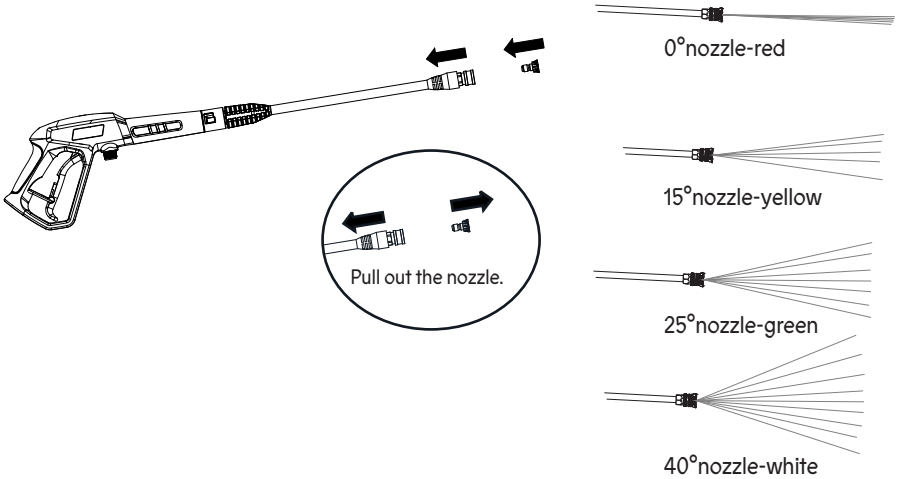


3. Select the right nozzles. Attach nozzle into the end of the lance by pressing selected nozzle into place. It will make a click sound when firmly place. To remove nozzle, pull back on the collar on the lance and pull out the nozzle.

0°NOZZLE-RED: This type of nozzle produces a vertical, stratified, high-pressure jet for surface cleaning with particularly severe dirt.

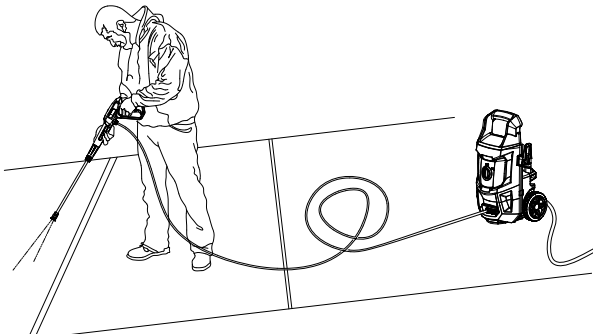
15°NOZZLE-YELLOW, 25°NOZZLE-GREEN, 40°NOZZLE -WHITE: These types of nozzles can produce the corresponding angle fan-shaped high-pressure jet, cleaning power, for large-scale dirt surface cleaning.

WARNING! Remember to change the nozzle when the gun is off, to ensure that they do not accidentally eject with force during removal.



4. Cleaning. Begin with the nozzle 1-2'/30-61 cm away from the surface and approach with caution until it reaches the desired position for overly close spray may do harm to surface.

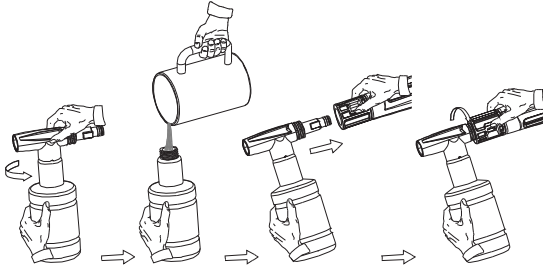
WARNING: Do not connect the machine to water supplies that are dirty, rusty, muddy, or corrosive. (Including window cleaning liquids, plant foods, or fertilizers etc.)



5. Using detergent bottle.

- a. Fill the container with a detergent or detergent of appropriate formula in proportion to water.

Connect the nozzle to the spray gun.



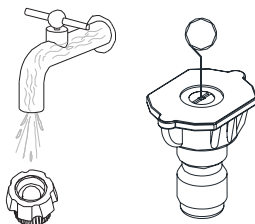
- b. Squeeze the trigger, detergent will come out through the detergent bottle nozzle.
- c. Apply detergent so it thoroughly covers cleaning surface.
- d. Allow detergent to remain on the surface for a few minutes. This is a good time to use a brush to lightly scrub heavily soiled areas.
- e. Change to spray nozzle, rinse detergent from surface.
- f. Cleaning up: Always draw fresh water through the detergent bottle when done to flush any remaining detergents from the injection system. The bottle could be detached if necessary in this process.

MAINTENANCE

WATER FILTER AND NOZZLE CLEANING INSTRUCTIONS

A clogged or partially clogged water filter or nozzle can cause significant reduction of water pressure coming out of the nozzle and/or cause the unit to pulsate while spraying.

1. The water filter was installed inside the water inlet quick connector, should be cleaned periodically. Rinse it with clean tap water, and then place it back into the water inlet quick connector.



2. Using the nozzle tip cleaner provided (or an unfold paper clip), insert the wire into the nozzle hole and move back and forth until debris is dislodged. Back flush water through the nozzles using garden hose and highest pressure available (either standard water nozzle or use your thumb over the nozzle to create water pressure for back flush).

STORAGE

Do not store pressure washer outdoors.

Do not store pressure washer where it might freeze while there's water inside the machine.

Serious damage will occur to the water system, pump and / or motor.

TIPS FOR EXTENDING THE LIFE OF YOUR PRESSURE WASHER

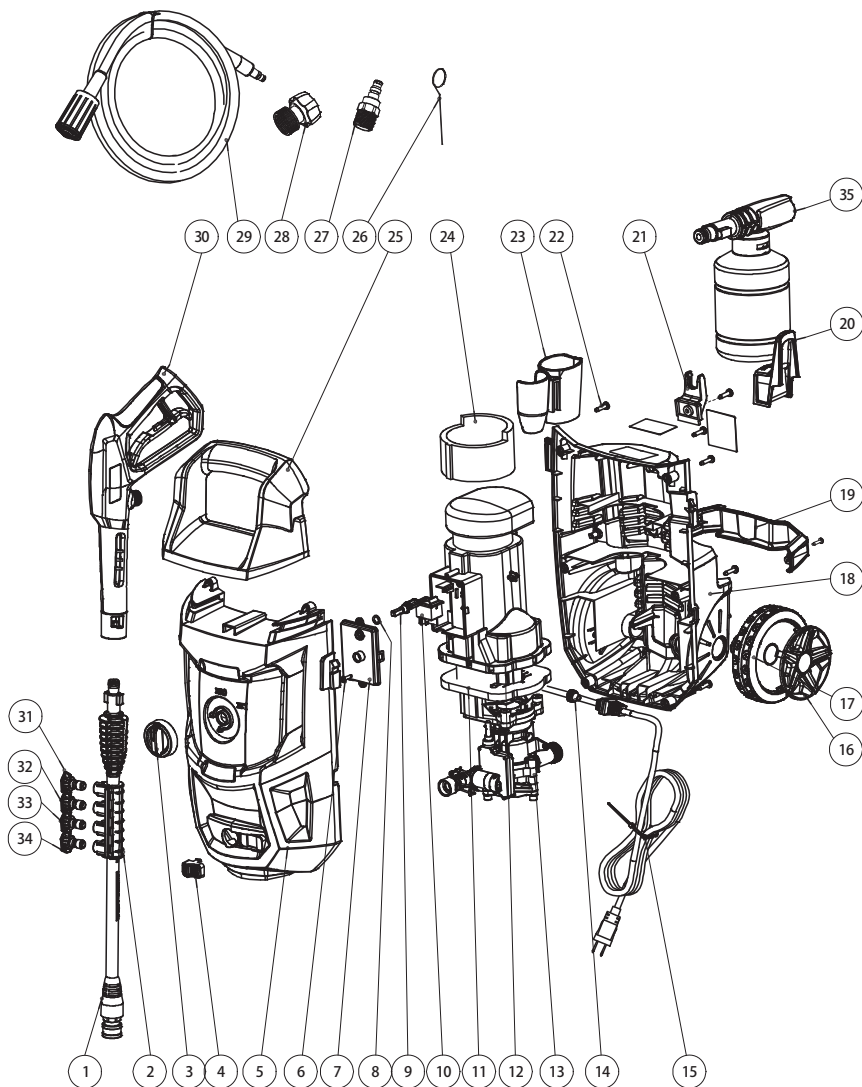
1. Never operate machine without water.
2. Pressure washer is not meant to pump hot water. Never connect to hot water supply this will significantly reduce life of the pump.
3. Using detergent other than those formulated for pressure washers may cause damage to pump components (o-rings, etc.). This also applies to chemicals such as bleach, dish soap, etc.
4. Never operate unit for more than one minute without spraying water. Resulting heat buildup will damage pump.

TROUBLESHOOTING

PROBLEM	POSSIBLE CAUSE AND SOLUTION
Unit will not start.	<p>Make sure the power washer is in the "OFF" position. Plug in the electrical cord to a grounded 120 volt outlet (no electrical extension cord should be used). If the electrical cord will not plug into your outlet, your electrical outlet is not properly grounded and should not be used. Use another electrical outlet. Press the reset button on GFCI power box. If the color of red is not visible in the little window on the GFCI, unplug and plug in again. Press reset, and look for the red color in the window, this should remain red in color. If the color is staying red, turn the power switch on the power washer to "ON". Squeeze the trigger on the spray gun and try again.</p> <p>If this did not correct the problem, try plugging into another electrical outlet and repeat the above procedure.</p>
The high pressure(HP) hose will not connect/stay connected to the spray gun. Is this a spray gun problem?	<p>In most cases, the spray gun is not the problem. The problem is the rubber sleeve covering the fitting at the end of the high pressure hose. It has likely slipped up toward the metal tip. The fix:wiggle, twist and/or pull the rubber sleeve down until the entire tip is visible plus an 1/8" / 3.175 mm of the metal fitting below the tip. Now try to insert the hose tip into the spray gun. It should "click" into place and will not come out until the hose is released by pushing in the lever on the underside of the gun. You may cut away the end of the sleeve with a sharp knife if unable to move the sleeve down. Be careful not to cut or puncture the hose</p>
The unit is running but there is not water flow.	<p>Check the water source. Unclog the nozzle o the lance. (See nozzle cleaning instruction under "Cleaning nozzles".) Or take off the lance and just spray out of the spray gun. This will indicate if the problem is with the lance.</p>
Why is water leaking where the high pressure hose connects to the spray gun?	<p>Make sure there is an o-ring at the end of the metal tip of the high pressure hose. If no o-ring is present, the connection between the hose and spray gun will leak .</p>

<p>I can't remove the lance from the spray gun. What should I do?</p>	<p>All lances and detergent tank are attached and removed from the spray gun in the same manner. Insert the quick-release end of the lance together (about a 1/8"/3.175 mm) and turn clockwise. The lance will lock in place. Remove the lance by reversing this procedure. Press the spray gun and lance together and turn counterclockwise. The lance will slide out. Or, hold the spray gun and lance in an upright position with the nozzle end on the floor. Push the whole assembly straight down to loosen the connection, and then follow the removal process again. You may also spray soapy water or a lubricant in the area where the lance connects to the spray gun.</p>
<p>The power washer turns on for 2 seconds, shuts off, and will not turn back on. Do I have a defective unit?</p>	<p>It sounds like your power washer is working just fine. When the water is connected, the accessories are assembled properly, and the power switch is turned on, the power washer may turn on for 1-2 seconds to prime the pump. It automatically shuts off and waits for the spray gun trigger to be pressed. When the trigger is pressed, water starts flowing through the pump. The water sensor in the pump "sense" the moving water and automatically turns the power washer on. Or the power switch to off, hold in the trigger on the spray gun, so that you have a steady stream of water. While you are holding the trigger open on the spray gun, at the same time, turn the power switch on.</p>

EXPLODED VIEW



PARTS LIST

⚠ WARNING: When servicing, use only original equipment replacement parts. The use of any other parts may create a safety hazard or cause damage to the Power Washer.

Any attempt to repair or replace electrical parts on this Pressure Washer may create a safety hazard unless repairs are performed by a qualified technician. For more information, call the Toll-free Helpline, at 1-866-206-0888 — Monday-Friday, from 9am - 5pm, Eastern Standard Time.

POS. NO	PART SKU	PART NAME	QUANTITY
1	BUAK011001	lance	1
2	BUAK011002	quick nozzle holder	1
3	BUAK011003	knob	1
4	BUAK011004	water outlet button	1
5	BUAK011005	front housing	1
6	BUAK011006	screw ST3.5*16	4
7	BUAK011007	switch cover	1
8	BUAK011008	O-ring 8*2	1
9	BUAK011009	short pole	1
10	BUAK011010	main swtich	1
11	BUAK011011	motor cover filter	1
12	BUAK011012	motor cover	1
13	BUAK011013	motor pump kit	1
14	BUAK011014	power cord cover	1
15	BUAK011015	power cord	1
16	BUAK011016	Wheel hole cover	2
17	BUAK011017	wheel	2
18	BUAK011018	rear housing	1
19	BUAK011019	accessory holder	1
20	BUAK011020	cord hook	1
21	BUAK011021	detergent tank holder	1
22	BUAK011022	screw ST4.8*20	11
23	BUAK011023	gun holder	1
24	BUAK011024	wind inlet filter	1
25	BUAK011025	short handle	1
26	BUAK011026	needle	1

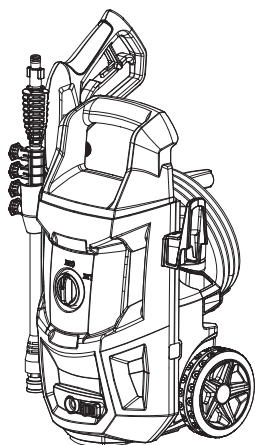
27	BUAK011027	hose connect adapter (quick release-thread connect)	1
28	BUAK011028	water inlet screw	1
29	BUAK011029	high pressure hose	1
30	BUAK011030	high pressure hose	1
31	BUAK011031	15° nozzle	1
32	BUAK011032	25° nozzle	1
33	BUAK011033	40° nozzle	1
34	BUAK011034	0° nozzle	1
35	BUAK011035	detergent tank	1

WARRANTY**RADLEY PRESSURE WASHER WARRANTY**

If this Radley tool fails due to a defect in material or workmanship within two years from the date of purchase, it has a 2-year repair warranty with the original bill of sale. This warranty does not include expendable parts including but not limited to blades, brushes, belts, light bulbs and or batteries. This warranty covers defects in material or workmanship only. It does not cover normal wear and tear, failure due to abuse misuse, or defects caused by careless or accidental mishandling. If this Radley product is used for commercial or rental purposes, this warranty does not apply. For use at the consumer level. The warranty is not for industrial or commercial applications.

1600PSI PRESSURE WASHER

OWNER'S MANUAL



2 Year Limited Warranty on tool

Radley®

RADLEY TOOLS
ST. JACOBS, ONTARIO N0B 2N0
© 2021 Home Hardware Stores Limited
1-866-206-0888
Customer Service/Tech Support

5044-032

Made in China

**2Year
warranty**

This Radley® product carries a two (2) year LIMITED warranty against defects in workmanship and materials. See Owner's Manual for full details.



**READ ALL INSTRUCTIONS BEFORE FIRST USE.
KEEP THIS MANUAL FOR FUTURE REFERENCE.
KEEP AWAY FROM CHILDREN.**



**WEAR CSA APPROVED
EYE PROTECTION**



**WEAR EAR
PROTECTION**



**WEAR FACE
PROTECTION**