

BENCHMARKTM MC

WALL MOUNTED AUTO GARDEN REEL WITH HYBRID HOSE

Item # 5038-085



2 year limited warranty

**READ ALL INSTRUCTIONS BEFORE FIRST USE.
KEEP THIS MANUAL FOR FUTURE REFERENCE.
KEEP AWAY FROM CHILDREN.**



**WEAR CSA APPROVED
EYE PROTECTION**



**WEAR EAR
PROTECTION**



**WEAR A
FACE MASK**

PRODUCT SPECIFICATIONS

WALL MOUNTED AUTO GARDEN REEL WITH HYBRID HOSE	
Hose length	25.9 m (85 ft.)
Hose diameter	11.5mm (1/2")
Pressure rating	116 psi (8 bar) working / 435 psi (30 bar) burst
Operating temperature range	-5°C- 45°C
Inlet hose length	2m (approx. 6.6ft)
Weight	17.6 LBS./8 KG

IMPORTANT INFORMATION

- Read all instructions prior to assembly.
- Prior to assembly, lay out all parts on a flat, non-abrasive surface and verify that there are no pieces missing.

NEED ASSISTANCE?

- Technical questions
- Replacement parts
- Parts missing from package

Scan here for support



Email us at: customerservice@powertoolsplus.ca
Call us on our toll-free customer support line:
1-866-349-8665 (9-5pm Monday-Friday EST)

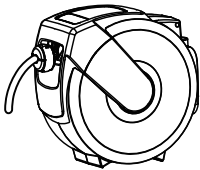





WARNING!

- It is not safe to drink water from this hose.
- Do not pump liquids and/or chemical solutions such as salt water which may cause corrosion.
- Connect only to a water source with a pressure of 116 psi (8 bar) or less.
- Release water pressure when not in use.
- Product contains charged spring. Do not disassemble housing.

PARTS LIST

⚠ WARNING: When servicing, use only original equipment replacement parts. The use of any other parts may create a safety hazard or cause damage to the garden reel.

For more information, call the Toll-free Helpline, at 1-866-349-8665 – Monday-Friday from 9am to 5pm Eastern Standard Time or email us at customerservice@powertoolsplus.ca.

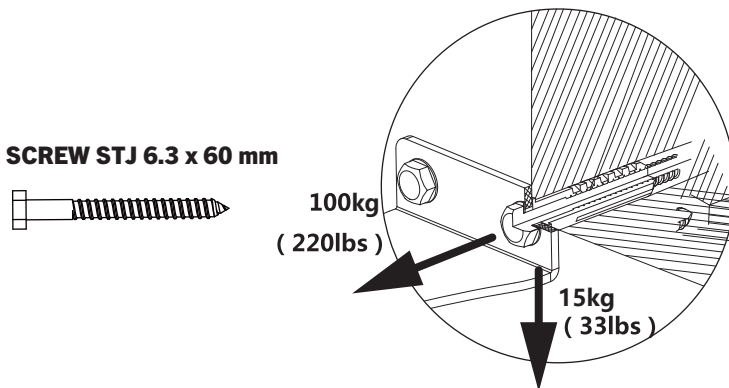
Key	Part	Description	Qty.
A		REEL & PRE-INSTALLED LEADER HOSE & GARDEN HOSE	1 ea.
B		MOUNTING BRACKET	1
C		GARDEN NOZZLE	1
D		SCREW STJ 6.3 x 60 mm	4
E		ANCHOR	4
F		WASHER	4

INSTALLATION INSTRUCTIONS

MOUNTING LOCATION

When choosing a mounting location for your retractable hose reel, consider the following:

1. Proximity to Garden: Ensure the reel is positioned within easy reach of your garden, and that the hose—when fully unwound—can reach all areas of the yard. The reel includes a 25.9 m (85 ft) outlet hose (garden hose).
2. Proximity to Water Supply: Ensure the reel is placed so the leader hose (2m or approx 6.6 ft) can comfortably connect to the water source without strain or kinks.
3. Out of Direct Sunlight: Avoid placing the reel in direct sunlight to protect the hose and reel from UV damage.
4. Secure Mounting: The mounting bracket must be installed on a sturdy vertical surface—such as concrete, brick, or a wooden post—strong enough to support the weight of the hose reel when filled with water, as indicated by the screw specifications below. Mounting to a weaker wall may result in failure to support the load.
5. Hose Height: Consider the most comfortable height for accessing the hose, especially since it may be used frequently. Aim to mount it at a level that allows for easy reach and operation.
6. Ensure the location chosen allows for the hose reel to swivel the full 180° without pulling on the leader hose.



⚠ WARNING: If not properly installed, there is a risk of the reel falling. Make sure you installation can support the loads above.

⚠ WARNING: Ensure there are no live electrical wires or plumbing in the wall at the location you are drilling.

ASSEMBLY INSTRUCTIONS

DIRECT MOUNT TO WOOD STUD

1. Locate the Studs: Using a stud finder (not included), locate two adjacent studs and mark their center locations with a pencil. **For greater flexibility and a stronger mounting surface, it is strongly recommended to consider attaching a horizontal piece of wood (e.g., 2X6") between the studs at the desired height.**
2. Tape the drilling template to the wall at a convenient height, and ensure the mounting holes on the template align with the stud or horizontal board.
3. Use a level (not included) to confirm the template's hole centers are vertically aligned (plumb).
4. Drill four pilot holes at the marked positions using a drill bit (not included).
5. Secure the mounting bracket to the stud or horizontal board using the four screws and washers. Ensure that the screws are driven firmly into solid wood.
6. Hang the hose reel onto the mounted bracket and lock it in place by inserting the mounting tube.
7. Connect the inlet hose to your water source.

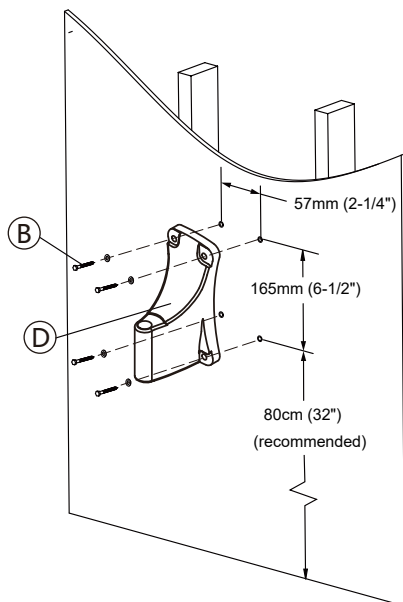
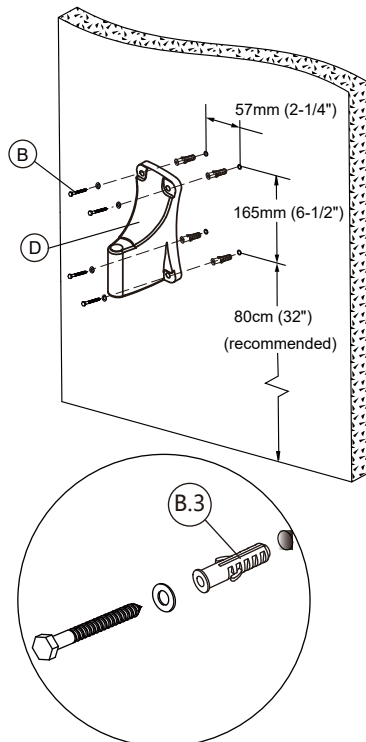


FIG. 1

MOUNT TO HOLLOW WALL AND MASONRY WALL

1. Tape the drilling template to the wall at a convenient height, ensuring it is level and properly aligned.
2. Use a level (not included) to confirm the template's hole centers are vertically aligned (plumb).
3. Drill four holes at the marked positions, using a masonry drill bit and hammer drill (not included), if drilling into masonry wall.
4. Tap the provided plastic wall anchors into the holes with a hammer or mallet (not included) until flush with the wall surface.
5. Secure the mounting bracket to the wall using the four screws and washers. Ensure the screws are driven firmly into the plastic anchors.
6. Hang the hose reel by inserting the mounting tube into the mounting bracket.
7. Connect the inlet hose to your water source.

**FIG. 2**

OPERATING INSTRUCTIONS

⚠ WARNING: Before operating read this entire manual carefully, otherwise personal injury or equipment damage may occur.

⚠ WARNING: Always keep a firm hold on the hose until it has fully retracted into the reel. DO NOT release the hose allowing to rewind on its own.

⚠ WARNING: The yellow tape marks the end of hose length

⚠ WARNING: Release any water pressure in the hose after use.

- Turn on water source.
- Pull the hose to the desired length — it locks automatically (Fig. 3).
- To retract, give it a quick pull and walk hose back to the reel.

NOTE: Pulling hose more than 10 cm may re-lock it.

- Always hold the hose while it retracts to prevent injury or damage.
- If tangled, pull the hose out past the tangle, then guide it slowly back into the reel. Keep the hose clean and untwisted.

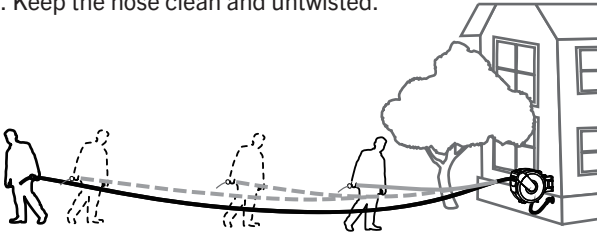


FIG. 3

ADJUSTING THE STOP-BALL

The stop ball controls how far the hose can retract into the reel, keeping part of it always accessible.

1. Pull the hose out to the desired length. The reel will lock and not retract automatically.
2. Open the latch on the stop ball and slide it along the hose to the position where you want the hose to stop retracting.
3. Close the latch to secure the stop ball in place (Fig. 4).

⚠ CAUTION: Always make sure the hose reel is locked before removing the stop ball, and make sure the stop ball is securely fastened before unlocking the reel.



FIG. 4

MAINTENANCE AND STORAGE

While your product has been made with high quality materials, degradation can occur over time. Inspect the hose and housing periodically. If cracking or blisters are visible, discontinue use.

⚠ WARNING: Product contains charged spring. Do not disassemble housing.

1. Clean – Wipe reel and hose; rinse off dirt before retracting.
2. Check Leaks – Inspect fittings; replace worn washers.
3. Lubricate – Use silicone spray on moving parts seasonally.
4. Retract Slowly – Guide hose in; avoid kinks/twists.
5. Winterize – Drain water from hose by unreeling to maximum length and letting remaining water drain out. Retract hose fully back onto reel. Disconnect leader hose from water source and store above 0°C (32°F).
6. Tighten – Check mounting wall screws, tighten if necessary and replace if corroded.
7. Avoid Chemicals – Do not run corrosive or harsh chemicals through the hose; rinse immediately if exposed.

WARRANTY

BENCHMARK WARRANTY FOR WALL MOUNTED AUTO GARDEN REEL WITH HYBRID HOSE

If this Benchmark tool fails due to a defect in material or workmanship within 2 years from the date of purchase, return it to any Home Hardware store with the original bill of sale for exchange. This warranty does not include expendable parts including but not limited to blades, brushes, belts, light bulbs.

This warranty covers defects in material or workmanship only. It does not cover normal wear and tear, failure due to abuse/misuse, or defects caused by careless or accidental mishandling. If this Benchmark product is used for commercial or rental purposes, this warranty does not apply.

WALL MOUNTED AUTO GARDEN REEL WITH HYBRID HOSE



BENCHMARKTM_{MC}

BENCHMARK TOOLS CANADA
ST. JACOBS, ONTARIO N0B 2N0
© 2025 Home Hardware Stores Limited
CUSTOMER SERVICE/TECH SUPPORT
1-866-349-8665

5038-085

Made in China



* This BenchmarkTM product carries a two (2) year LIMITED warranty against defects in workmanship and materials.

READ ALL INSTRUCTIONS BEFORE FIRST USE.
KEEP THIS MANUAL FOR FUTURE REFERENCE.
KEEP AWAY FROM CHILDREN.



**WEAR CSA APPROVED
EYE PROTECTION**



**WEAR EAR
PROTECTION**



**WEAR A
FACE MASK**