

The BBN3 powerpack insert series protects the full bottom of your cabinetry with a flush appearance and depth adjustability. Bright LED lighting enhances your cooking experience, while the 4-speed back-lit soft touch control makes operation easy.

SIZE	STAINLESS	GREASE FILTERS (replacement)	NON-DUCTED FILTERS
29-7/8 in.	BBN3306SS	S99010400-130 (Aluminum)	S99010464-130 (Charcoal)
29-7/8 in.	BBN3306SSC†	S99010400-130 (Aluminum)	S99010464-130 (Charcoal)

† Available in Canada only.

HVI PERFORMANCE											
Duct Orientation	Size	Damper	Sones				CFM				
			Normal	Med/Low*	Med/High*	High	Normal	Med/Low*	Med/High*	High 0.25 in. w.g.	High 0.1 in. w.g.
Vertical - Rectangular	3¼ x 10 in.	Included	0.5	1.0	3.0	9.5	130	190	300	560	580
Horizontal - Rectangular	3¼ x 10 in.	Included	0.5	0.9	3.0	10.0	120	190	300	560	580
Round - Vertical	6 in.	Included	0.5	1.1	3.5	11.0	130	190	290	560	580
Round - Vertical	8 in.	Included	0.5	1.1	3.0	10.0	120	180	300	580	600

FEATURES	
Max. Blower CFM**	650
Control type	Electronic Soft Touch, 4 speeds
Delay off	Yes
Filter Clean Reminder	Yes
Heat Sentry™	Yes
ADA Capable	Yes
Lighting	2-level LED (2 LED modules included)
Grease Filters	Micromesh (Qty. 2)
Installation Hardware	Included
ENERGY STAR®	No
Recirculation	Non-ducted kit sold separately

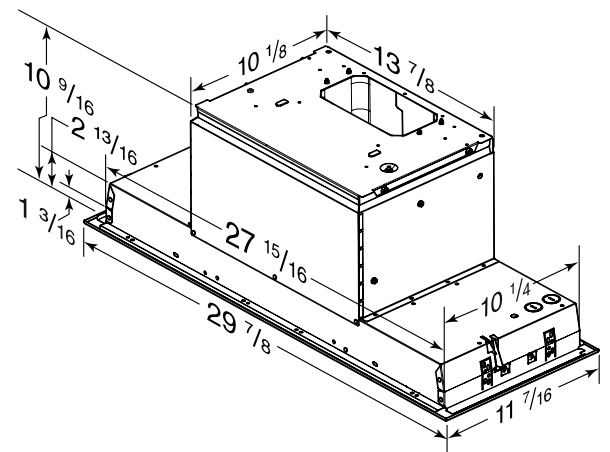
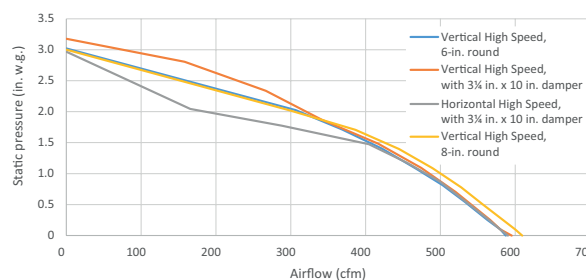
AC INPUT	
120 V, 60 Hz - 4.0 AMPS	

OPTIONAL ACCESSORIES	
Filters (set of 4)	HADTBN30
ADA Kit	HAWRK5
Non Duct Kit	HARKBN30
Power Cord Kit	HCK44
Hybrid Baffle Filters	HPFBN30

MOUNTING HEIGHT	
24 in. to 30 in. from cooktop to bottom of hood	

LIMITED WARRANTY	
1-year	

FOR INDOOR USE ONLY



Dimensions shown in inches.

Can be used to comply with LEED requirements.

HVI-2100 CERTIFIED RATINGS comply with new testing technologies and procedures prescribed by the Home Ventilating Institute, for off-the-shelf products, as they are available to consumers. Product performance is rated at 0.1 and 0.25 in. static pressure at high speed based on tests conducted in an HVI-approved state-of-the-art test laboratory. Sones are a measure of humanly-perceived loudness, based on laboratory measurements.

* Where noted performance rating is not HVI certified but was established in accordance with HVI Standardized test procedure.

** Max. blower CFM indicates the performance of the hood blower in open air.

1106391B

Broan-NuTone LLC | 926 West State Street, Hartford, Wisconsin, USA 53027 | broan-nutone.com | 800-558-1711
Venmar Ventilation ULC | 550 Lemire Blvd., Drummondville, Québec, Canada J2C 7W9 | broan-nutone.ca | 800-567-3855

