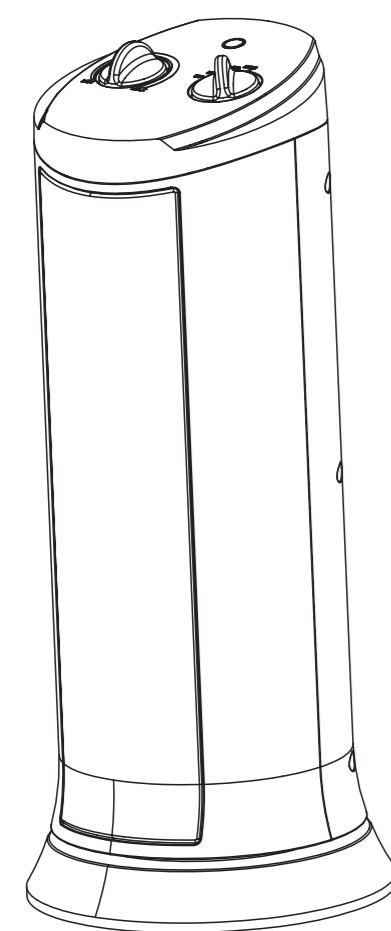


OWNER'S MANUAL

PTC FAN HEATER MODEL: NTH15-17L



READ AND SAVE THESE INSTRUCTIONS

Attention: Pictures in the IM are for reference only.

IMPORTANT INSTRUCTIONS

PLEASE READ AND SAVE THESE IMPORTANT SAFETY INSTRUCTIONS

When using electrical appliances, basic precautions should always be followed to reduce the risk of fire, electric shock, and injury to persons, including the following:

1. Read all instructions before using heater.
2. This heater is hot when in use. To avoid burns, do not let bare skin touch hot surface. If provided, always use handles when moving this heater. Keep combustible materials such as furniture, pillows, bedding, papers, clothes and curtains at least 3 feet (0.9m) from the front of the heater and keep them away from the sides and rear.
3. Extreme caution is necessary when any heater is used by or near children or invalids and whenever the heater is left operating and unattended.
4. Always unplug the heater when not in use.
5. Do not operate any heater with a damaged cord or plug or after the heater malfunctions, has been dropped or damaged in any manner. Discard heater or return heater to authorized service facility for examination, electrical or mechanical adjustment, or repair.
6. Do not use the heater outdoors.
7. This heater is not intended for use in bathroom, laundry areas and similar moist indoor locations. Never locate heater where it may fall into a bathtub or other water container.
8. Do not run cord under carpeting. Do not cover cord with throw rugs, runners, or similar coverings. Do not route cord under furniture or appliances. Arrange cord away from traffic area and where it will not be tripped over.
9. CAUTION: This appliance has a polarized plug (one blade is wider than the other). To reduce the risk of shock, this plug is intended to fit only one way in a polarized outlet. If the plug does not fit fully in the outlet, reverse the plug. If it still does not fit, contact a qualified electrician. DO NOT attempt to defeat this safety feature. To do so could result in an electric shock hazard.
10. This heater draws 12.5 amps during operation. To prevent overloading a circuit, do not plug the heater into a circuit that already has other appliances working.
11. CAUTION: It is normal for the plug to feel warm to the touch; however, a loose fit between the AC outlet (receptacle) and plug may cause overheating and distortion of the plug. Contact a qualified electrician to replace loose or worn outlet.

1

12. To disconnect the heater, first turn controls to off, then remove plug from outlet. Never pull by the cord.
13. Do not insert or allow foreign objects to enter any ventilation or exhaust opening as this may cause an electric shock or fire, or damage the heater.
14. To prevent a possible fire, do not block air intakes or exhaust in any manner. Do not use on soft surface, like a bed, where openings may become blocked.
15. A heater has hot and arcing or sparking parts inside. Do not use it in the areas where gasoline, paint, or flammable liquids are used or stored.
16. Use this heater only as described in this manual. Any other use not recommended by the manufacturer may cause fire, electric shock, or injury to persons.
17. CAUTION: Always plug heaters directly into a wall outlet/receptacle. Never use with an extension cord or reloadable power tap (outlet/power strip).
18. The output of this heater may vary and its temperature may become intense enough to burn exposed skin. Use of this heater is not recommended for persons with reduced sensitivity to heat or an inability to react to avoid burns.
19. Disposal of oil contained within should be in accordance with applicable regional, national, and local laws and regulations.
20. CAUTION: TO PREVENT ELECTRIC SHOCK, MATCH WIDE BLADE OF PLUG TO WIDE SLOT AND FULLY INSERT.

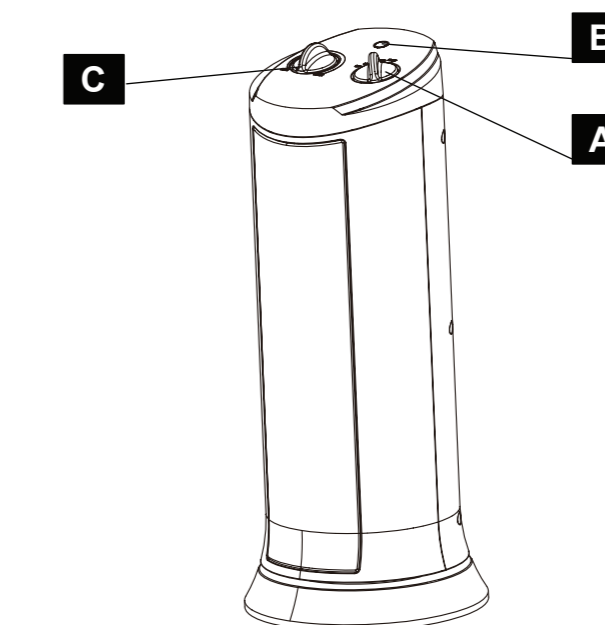
21. "SAVE THESE INSTRUCTIONS"

2

OPERATION INSTRUCTIONS

IMPORTANT!

Your heater is equipped with a polarized alternating current line plug (a plug having one blade wider than the other). This plug will fit into the power outlet only one way. This is a safety feature. If you are unable to insert the plug fully into the outlet, try reversing the plug. If the plug should still fail to fit, contact your electrician to replace your outlet. DO NOT defeat the safety purpose of the polarized plug.



Control Panel Functions

- A** Power and Setting Control
- B** Power Indicator Light
- C** Thermostat Control

- Place the heater on a firm level surface that is free of obstructions, and at least 3' (0.9m) away from all walls and other objects such as furniture, curtains, plants or combustible material.

- With the Power and Setting Control "A" in the "OFF" position, plug the heater into a grounded 120V outlet.

- Turn the heater "ON" by turning the Power and Setting Control "A" clockwise to the desired power setting (LO, HI, LO & OSC or HI & OSC). The Power Indicator Light "B" will illuminate. The power settings operate as follows:

LO: The Fan and heating elements operate at Lo setting.
HI: The Fan and heating elements operate at 1500 W.
LO&OSC: The Fan and heating elements operate at Lo setting
HI&OSC: The Fan and heating elements operate at 1500 W.

- Turn the Thermostat Control "C" to the desired setting between "MIN" and "MAX".
- This heater cannot achieve accurate temperature control of the environment, and thus cannot be used as insulation device for storage environment, items, animals and plants.

3

Caution: This heater includes a Thermal Cut-Off Overheat Protection System that shuts the heater off if it overheats due to abnormal conditions. If this occurs, turn the heater "OFF", unplug it, and inspect and remove any objects on or adjacent to the heater. Allow it to cool for a few minutes, plug it back in, and resume normal operation.

TROUBLE SHOOTING

If your heater fails to operate, please follow these instructions:

- Ensure that your circuit breaker or fuse is working properly.
- Be sure the heater is plugged in and that the electrical outlet is working properly.
- Check for any obstruction. If you find any obstruction, turn the heater "OFF". Unplug the heater and wait a few minutes for it to cool down. Carefully remove the obstruction. Plug the heater in and turn it on again by referring to the **OPERATING INSTRUCTIONS**.

NOTE: IF YOU EXPERIENCE A PROBLEM WITH YOUR HEATER, PLEASE SEE THE WARRANTY INFORMATION FOR INSTRUCTIONS. PLEASE DO NOT ATTEMPT TO OPEN OR REPAIR THE HEATER YOURSELF. DOING SO MAY VOID THE WARRANTY AND COULD CAUSE DAMAGE OR PERSONAL INJURY. IF THE PROBLEM STILL PERSISTS, PLEASE CONTACT US BY REFERRING TO THE SERVICE & SUPPORT INFORMATION ON THE FOLLOWING PAGE.

CLEANING AND STORAGE

It is recommended that the heater be cleaned at least one time during the operating season in order to provide the optimum level of performance.

ALWAYS TURN THE POWER SWITCH OFF AND UNPLUG THE HEATER BEFORE CLEANING.

Be sure to save the box for off-season storage.

- Turn the heater "OFF", unplug it and wait for the heater to cool down.
- Use a dry cloth to clean only external surfaces of the heater.
- Do not use any cleaning agents or detergents.
- Never immerse the heater in water.
- Pack the heater in the original carton and store it in a cool and dry place.

SPECIFICATIONS

Model No: NTH15-17L
Voltage: 120V, 60Hz
Current: Maximum continuous draw: 12.5Amps.
Output: 5200 BTUs
Power: LOW=900 Watts, HIGH=1500 Watts

Tolerances on all specifications: Approximately +5%, -10%

4