

设计 DESIGN	李淳 2022.02.25	图纸名称 PART NAME 加拿大 Omnimax UR-BCD520WE1-SQ 22031020008561				图号/物料编码 PART NO. 16131000A45389				
校对 CO. BY	王雅霞					说明书				材料 MATERIAL 80g双胶纸
标准化 STANDARD										业务 SELLER 郝秋霞
批准 AUTHORIZE		版本号 REV. NO.	重量(g) WEIGHT	比例 scale	2	1:1				
		共页 TOTAL SHEETS		第页 NO. OF SHEETS		美的冰箱事业部 MIDEA REFRIGERATION DIVISION				

技术要求:
Technical requirements:

尺寸/size: 32K, 40P

印刷颜色/printing Color: 单黑色

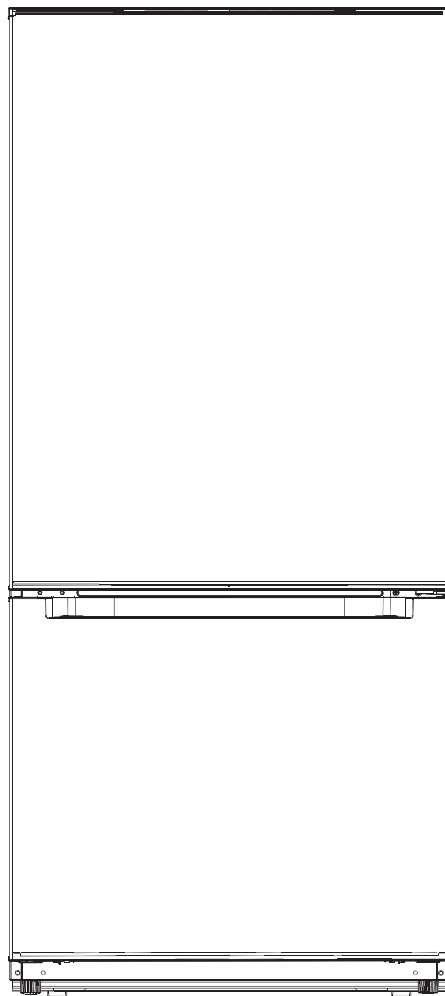
1. 材质、性能必须符合QMB-J036.1008规定的产品说明书及其它类似印刷件技术规范;
1. The material and performance shall meet the requirements of QMB-J036.1008 Technical Specification for Instructions and other similar printed copies;
2. 标贴表面应平整、厚薄均匀、切边整齐, 无破损等不合格;
2. The surface of parts shall be flat, uniform in thickness, neat in cutting edge, and free of damage and other nonconformities;
3. 表面不能有凹坑、划伤、雾状、黑点、白点或其他杂质;
3. The surface shall be free of pits, scratches, fogs, black spots, white spots or other impurities;
4. 除客户特别要求外均参照美的冰箱最新版相关企业标准执行;
4. In addition to the special requirements of customers, all refer to the latest version of the relevant enterprise standards of Midea refrigerator;

标记 MARKER	变更内容	修改日期	签名
1	即日起, 更改压力单位	2022. 5. 06	李淳
2	自X更新版本。	2025. 3. 6	黄志胜



Instruction Manual

Refrigerator-Freezer



MODEL: 3750-247

CONTENTS

1 Safety warnings

1.1 Warning	1-2
1.2 Meaning of safety warning symbols	3
1.3 Electricity related warnings	3
1.4 Warnings for using	4
1.5 Warnings for placement	4-5
1.6 Warnings for energy	5
1.7 Warnings for disposal	5

2 Proper use of the refrigerator

2.1 Placement	6
2.2 Levelling feet	7
2.3 Installing an optional ice maker	7
2.4 Door right-left change	8-10
2.5 Changing the light	10
2.6 Starting	10
2.7 Energy saving tips	10

3 Structure and functions

3.1 Key components	11
3.2 Functions	12-13

4 Maintenance and care of the refrigerator

4.1 Overall cleaning	14
4.2 Cleaning of door tray	14
4.3 Glass shelf cleaning	15
4.4 Box gull bottom roller groove cleaning	15
4.5 Defrosting	16
4.6 Out of operation	16

5 Trouble shooting

5.1 Trouble shooting	17
----------------------	----

1 Safety warnings

1.1 WARNING



Warning: risk of fire / flammable materials

THIS appliance is intended to be used in household and similar applications such as staff kitchen areas in shops, offices and other working environments; farm houses and by clients in hotels, motels and other residential type environments; bed and breakfast type environments; catering and similar non-retail applications.

THIS appliance is not intended for use by persons (including children) with reduced physical, sensory or mental capabilities, or lack of experience and knowledge, unless they have been given supervision or instruction concerning use of the appliance by a person responsible for their safety.)

CHILDREN should be supervised to ensure that they do not play with the appliance.

If the supply cord is damaged, it must be replaced by the manufacturer, its service agent or similarly qualified persons in order to avoid a hazard.

DO not store explosive substances such as aerosol cans with a flammable propellant in this appliance.

THE appliance has to be unplugged after use and before carrying out user maintenance on the appliance.

WARNING: Keep ventilation openings, in the appliance enclosure or in the built-in structure, clear of obstruction.

WARNING: Do not use mechanical devices or other means to accelerate the defrosting process, other than those recommended by the manufacturer.

WARNING: Do not damage the refrigerant circuit.

WARNING: Do not use electrical appliances inside the food storage compartments of the appliance, unless they are of the type recommended by the manufacturer.

WARNING: Please abandon the refrigerator according to local regulators for its use flammable blowing gas and refrigerant.

WARNING: When positioning the appliance, ensure the supply cord is not trapped or damaged.

WARNING: Do not locate multiple portable socket-outlets or portable power supplies at the rear of the appliance.

DO not use extension cords or ungrounded (two prong) adapters.

WARNING: Risk of child entrapment. Before you throw away your old refrigerator or freezer:

-Take off the doors.

-Leave the shelves in place so that children may not easily climb inside.

THE refrigerator must be disconnected from the source of electrical supply before attempting the installation of accessory.

Children should be supervised to ensure that they do not play with the appliance.

The instructions shall include the substance of the following: To avoid contamination of food, please respect the following instructions:

- Opening the door for long periods can cause a significant increase of the temperature in the compartments of the appliance.
- Clean regularly surfaces that can come in contact with food and accessible drainage systems.
- Clean water tanks if they have not been used for 48 h; flush the water system connected to a water supply if water has not been drawn for 5 days. (note 1)
- Store raw meat and fish in suitable containers in the refrigerator, so that it is not in contact with or drip onto other food
- Two-star ****** frozen-food compartments are suitable for storing pre-frozen food, storing or making ice-cream and making ice cubes. (note 2)
- One ***** - ,two ****** -and three-star ******* compartments are not suitable for the freezing of fresh food. (note 3)
- If the refrigerating appliance is left empty for long periods, switch off, defrost, clean, dry, and leave the door open to prevent mould developing within the appliance.

Note 1,2,3: Please confirm whether it is applicable according to you product compartment type

REFRIGERANT and cyclopentane foaming material used for the appliance are flammable. Therefore, when the appliance is scrapped, it shall be kept away from any fire source and be recovered by a special recovering company with corresponding qualification other than be disposed by combustion, so as to prevent damage to the environment or any other harm.

THE necessity that, for doors or lids fitted with locks and keys, the keys be kept out of the reach of children and not in the vicinity of the refrigerating appliance, in order to prevent children from being locked inside .

WARNING: To avoid a hazard due to instability of the appliance, it must be fixed in accordance with the instructions.




WARNING: Connect to potable water supply only. (Suitable for ice making machine)

TO Prevent A Child From Being Entrapped, Keep Out Of Reach Of Children And Not In The Vicinity Of Freezer (Or Refrigerator). (Suitable for products with locks)

For employed with optional ice maker kit:

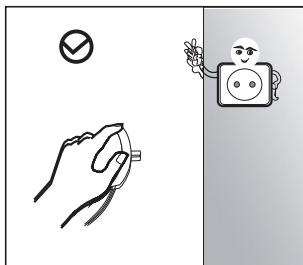
1. Minimum/Maximum inlet water pressure,138/827 kPa (20/120 psig).
2. **WARNING:** Connect to potable water supply only.

1.2 Meaning of safety warning symbols

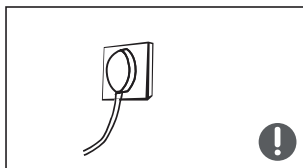
	<p>This is a prohibition symbol. Any incomppliance with instructions marked with this symbol may result in damage to the product or endanger the personal safety of the user.</p>
	<p>This is a warning symbol. It is required to operate in strict observance of instructions marked with this symbol; or otherwise damage to the product or personal injury may be caused.</p>
	<p>This is a cautioning symbol. Instructions marked with this symbol require special caution. Insufficient caution may result in slight or moderate injury, or damage to the product.</p>

This manual contains lots of important safety information which shall be observed by the users.

1.3 Electricity related warnings



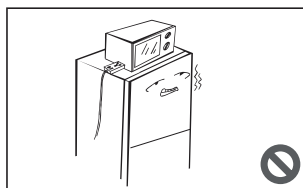
- Do not pull the power cord when pulling the power plug of the refrigerator. please firmly grasp the plug and pull it from the socket directly.
- To ensure safe use, do not damage the power cord or use the power cord when it is damaged or worn.



- Please use a dedicated power socket and the power socket shall not be shared with other electrical appliances. The power cord should be firmly contacted with the socket or else fires might be caused.
- Please ensure that the grounding electrode of the power socket is equipped

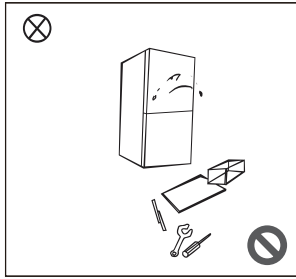


- Please turn off the valve of the leaking gas and then open the doors and windows in case of leakage of gas and other flammable gases.
- Do not unplug the refrigerator and other electrical appliances considering that spark may cause a fire.



- Do not use electrical appliances on the top of the appliance, unless they are of the type recommended by the manufacturer.

1.4 Warnings for using



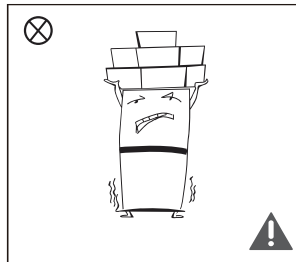
- Do not arbitrarily disassemble or reconstruct the refrigerator, nor damage the refrigerant circuit; maintenance of the appliance must be conducted by a specialist
- Damaged power cord must be replaced by the manufacturer, its maintenance department or related professionals in order to avoid danger.



- The gaps between refrigerator doors and between doors and refrigerator body are small, be noted not to put your hand in these areas to prevent from squeezing the finger. Please be gentle when close the refrigerator door to avoid falling articles.
- Do not pick foods or containers with wet hands in the freezing chamber when the refrigerator is running, especially metal containers in order to avoid frostbite.

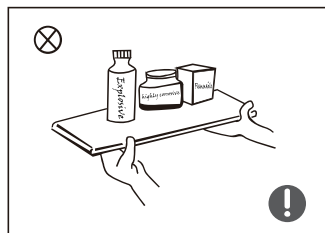


- Do not allow any child to get into or climb the refrigerator; otherwise suffocation or falling injury of the child may be caused.

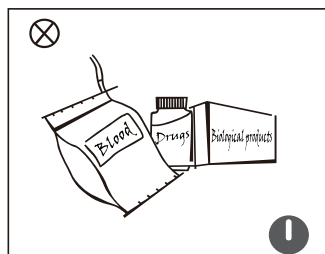


- Do not place heavy objects on the top of the refrigerator considering that objectives may fall when close or open the door, and accidental injuries might be caused.

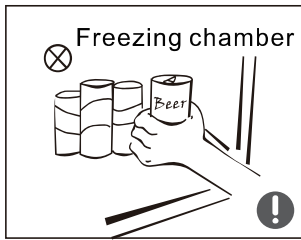
1.5 Warnings for placement



- Do not put flammable, explosive, volatile and highly corrosive items in the refrigerator to prevent damages to the product or fire accidents.
- Do not place flammable items near the refrigerator to avoid fires.



- The refrigerator is intended for household use, such as storage of foods; it shall not be used for other purposes, such as storage of blood, drugs or biological products, etc.



- Do not store beer, beverage or other fluid contained in bottles or enclosed containers in the freezing chamber of the refrigerator; or otherwise the bottles or enclosed containers may crack due to freezing to cause damages.

1.6 Warnings for energy

- 1) Refrigerating appliances might not operate consistently (possibility of defrosting of contents or temperature becoming too warm in the frozen food compartment) when sited for an extended period of time below the cold end of the range of temperatures for which the refrigerating appliance is designed.
- 2) The fact that effervescent drinks should not be stored in food freezer compartments or cabinets or in low-temperature compartments or cabinets, and that some products such as water ices should not be consumed too cold;
- 3) The need to not exceed the storage time(s) recommended by the food manufacturers for any kind of food and particularly for commercially quick-frozen food in food-freezer and frozen-food storage compartments or cabinets;
- 4) The precautions necessary to prevent an undue rise in the temperature of the frozen food while defrosting the refrigerating appliance, such as wrapping the frozen food in several layers of newspaper.
- 5) The fact that a rise in temperature of the frozen food during manual defrosting, maintenance or cleaning could shorten the storage life.

1.7 Warnings for disposal

Refrigerant and cyclopentane foaming material used for the refrigerator are flammable. Therefore, when the refrigerator is scrapped, it shall be kept away from any fire source and be recovered by a special recovering company with corresponding qualification other than be disposed by combustion, so as to prevent damage to the environment or any other harm.



When the refrigerator is scrapped, disassemble the doors, and remove gasket of door and shelves; put the doors and shelves in a proper place, so as to prevent trapping of any child.

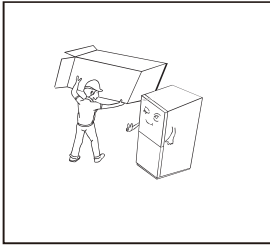


Correct Disposal of this product:

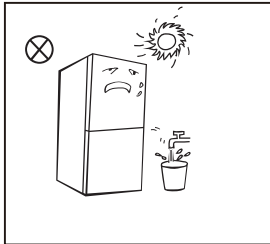
This marking indicates that this product should not be disposed with other household wastes throughout the EU. To prevent possible harm to the environment or human health from uncontrolled waste disposal, recycle it responsibly to promote the sustainable reuse of material resources. To return your used device, please use the return and collection systems or contact the retailer where the product was purchased. They can take this product for environmental safe recycling.

2 Proper use of the refrigerator

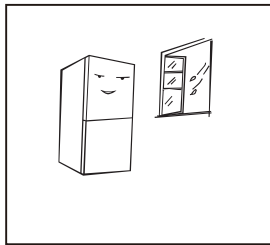
2.1 Placement



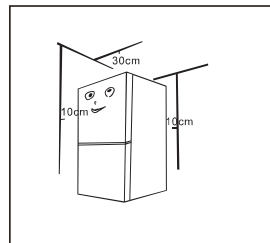
- Before use, remove all packing materials, including bottom cushions, foam pads and tapes inside of the refrigerator; tear off the protective film on the doors and the refrigerator body.



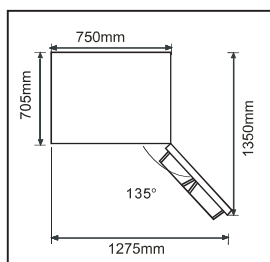
- Keep away from heat and avoid direct sunlight. Do not place the freezer in moist or watery places to prevent rust or reduction of insulating effect.
- Do not spray or wash the refrigerator; do not put the refrigerator in moist places easy to be splashed with water so as not to affect the electrical insulation properties of the refrigerator.



- The refrigerator is placed in a well-ventilated indoor place; the ground shall be flat, and sturdy (rotate left or right to adjust the wheel for leveling if unstable).



- This refrigerator needs to be installed independently and cannot be used as a built-in. Otherwise, it will cause problems such as failure to install into the cabinet, the performance and life of the product are reduced. And the manufacturer does not provide basic product warranty.
- The top space of the refrigerator shall be greater than 30cm, and the refrigerator should be placed against a wall with a free distance more than 10cm to facilitate heat dissipation.

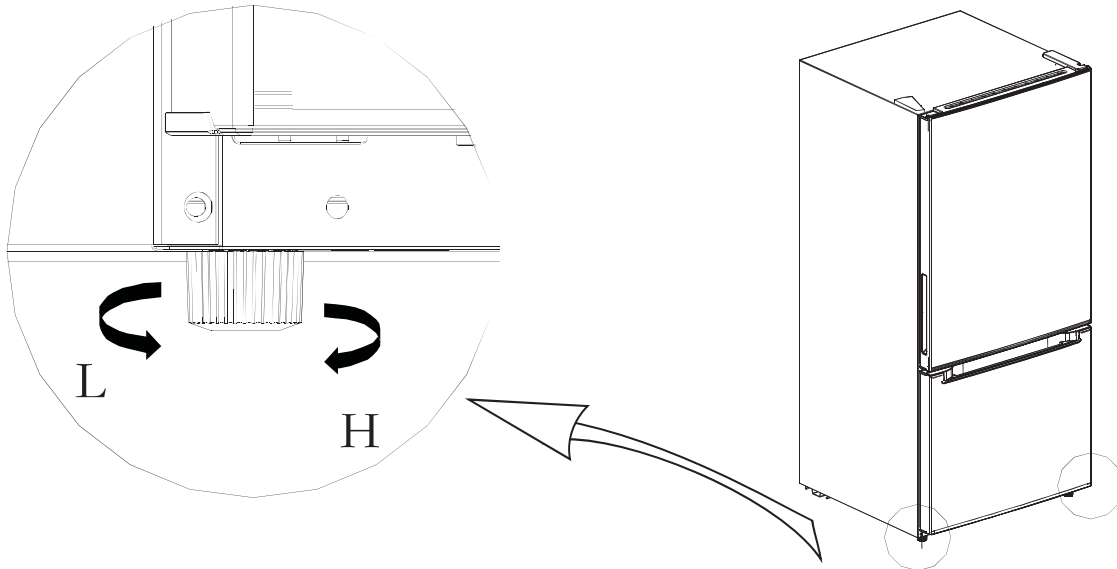


- Spare enough space for convenient opening of the doors and drawers.

The picture above is only for reference. The actual configuration will depend on the physical product or statement by the distributor.

2.2 Levelling feet

Schematic diagram of the levelling feet



(The picture above is only for reference. The actual configuration will depend on the physical product or statement by the distributor)



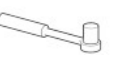

Adjusting procedures:

- a. Turn the feet clockwise to raise the refrigerator;
- b. Turn the feet counterclockwise to lower the refrigerator;
- c. Adjust the right and left feet based on the procedures above to a horizontal level.

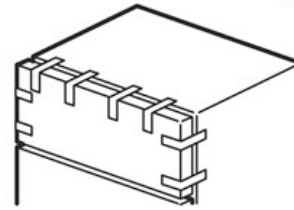
2.3 Installing an Optional Ice Maker

The refrigerator comes set up for ice maker installation, This refrigerator is compatible with IM1900MD ice maker. Please refer to individual ice maker installation instruction manual.

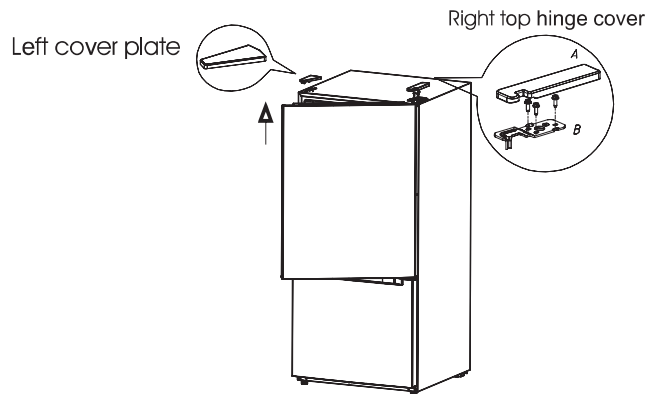
2.4 Door Right-Left Change

List of tools to be provided by the user			
	Cross screwdriver		Putty knife thin-blade screwdriver
	5/16" socket and ratchet		Masking tape

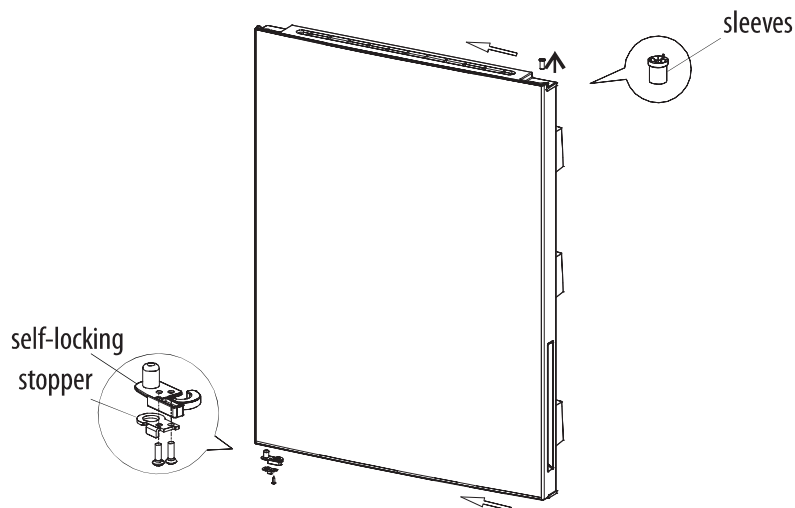
- 1) Unplug your refrigerator and remove all food from the door shelves. Remove all food from the inner door liner. Fix the door by tape.



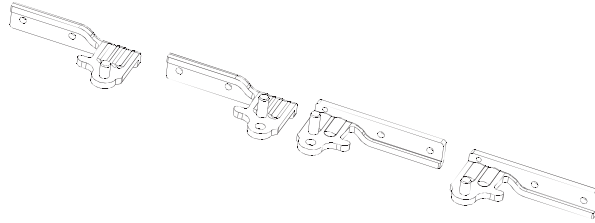
- 2) Remove the left cover plate and the right top hinge cover, then unscrew screws and remove the right top hinge. Keep the screws to reuse.



- 3) Lift the refrigerator door up and away from your refrigerator.
- 4) Dismantle the sleeves from the top right of doors and hole cap from top left of doors, and assemble them on the other side.
- 5) Remove the refrigerator door stopper and self-locking block on the right, take out the left self-locking block and stopper from the accessory bag in the refrigerator and installed on the left of door.

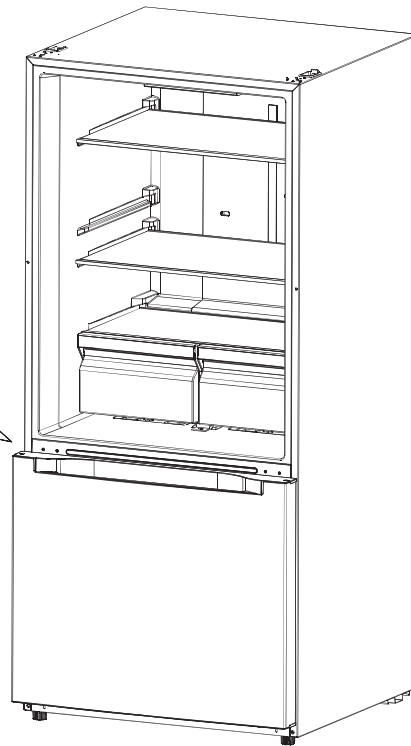
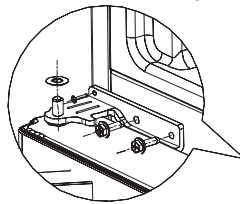


6) Remove the center hinge, remove the center hinge shaft with a slotted screwdriver, install hinge shaft on opposite side of the hinge and install the hinge to the left of the box.

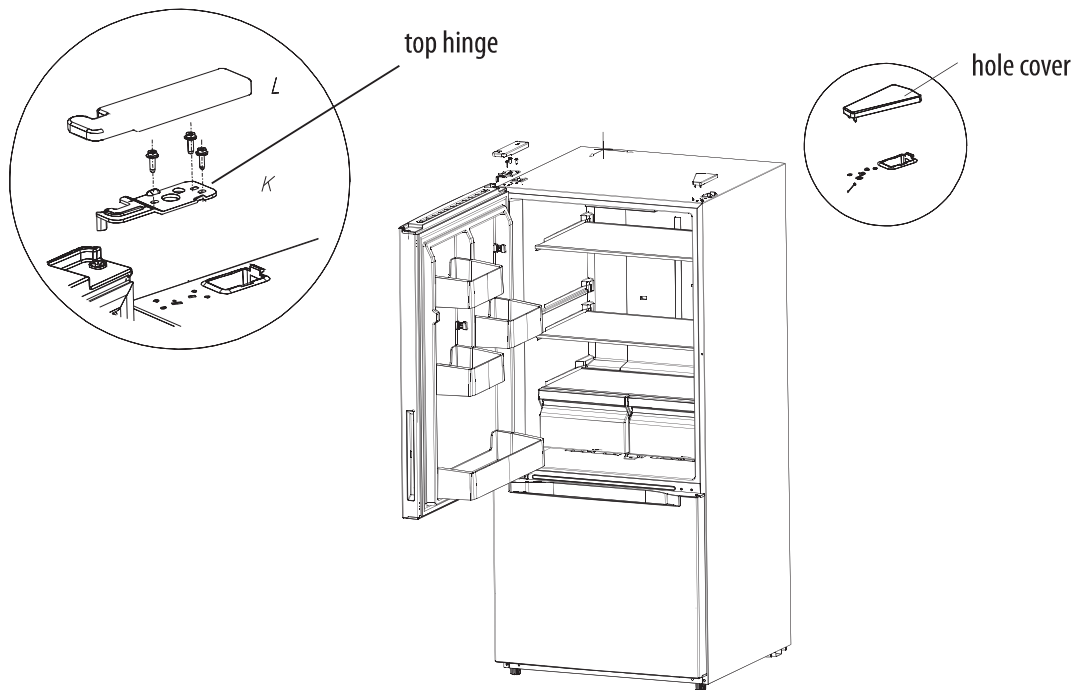


In the order shown above, the center hinge shaft is changed.

Attach the left center hinge

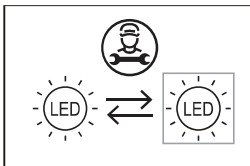


7) Put down the refrigerator door on the middle hinge vertically, then take out the top hinge and cover of other side from accessory bag, assemble top hinge, hinge cover and hole cover.



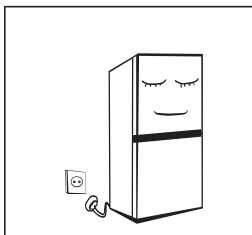
(The picture above is only for reference. The actual configuration will depend on the physical product or statement by the distributor.)

2.5 Changing the Light



- Any replacement or maintenance of the LED lamps is intended to be made by the manufacturer, its service agent or similar qualified person.

2.6 Starting



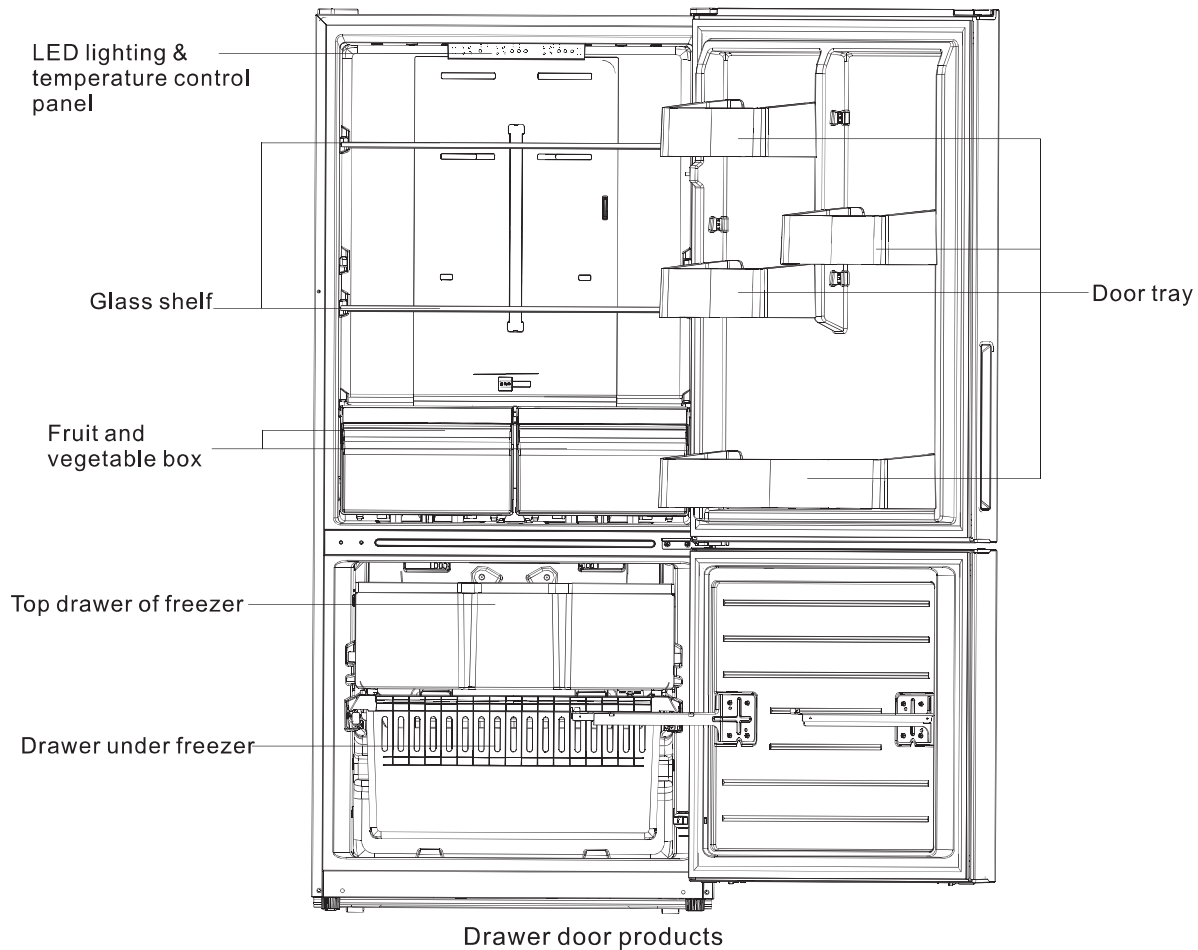
- After transportation, please let the product stay for more than 2 hours before turning on the power, otherwise it will lead to a decrease in cooling capacity or a damage to the product.
- Before putting any fresh or frozen foods, the refrigerator shall have run for 2-3 hours, or for above 4 hours in summer when the ambient temperature is high.
- Please pull out the plug in case of power failure or cleaning. Do not connect the freezer to power supply within five minutes to prevent damages to the compressor due to successive starts.


2.7 Energy saving tips

- The appliance should be located in the coolest area of the room, away from heat producing appliances or heating ducts, and out of the direct sunlight.
- Let hot foods cool to room temperature before placing in the appliance. Overloading the appliance forces the compressor to run longer. Foods that freeze too slowly may lose quality, or spoil.
- Be sure to wrap foods properly, and wipe containers dry before placing them in the appliance. This cuts down on frost build-up inside the appliance.
- Appliance storage bin should not be lined with aluminum foil, wax paper, or paper toweling. Liners interfere with cold air circulation, making the appliance less efficient.
- Organize and label food to reduce door openings and extended searches. Remove as many items as needed at one time, and close the door as soon as possible.

3 Structure and functions

3.1 Key components



 (The picture above is only for reference. The actual configuration will depend on the physical product or statement by the distributor)

Refrigerating chamber

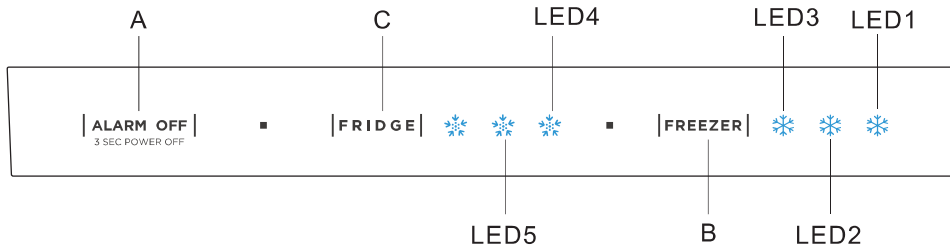
- The Refrigerating Chamber is suitable for storage of a variety of fruits, vegetables, beverages and other food consumed in the short term.
- Cooking foods shall not be put in the refrigerating chamber until cooled to room temperature.
- Foods are recommended to be sealed up before putting into the refrigerator.
- The glass shelves can be adjusted up or down for a reasonable amount of storage space and easy use.

Freezing chamber

- The low temperature freezing chamber may keep food fresh for a long time and it is mainly used to store frozen foods and making ice.
- The freezing chamber is suitable for storage of meat, fish, rice balls and other foods not to be consumed in short term.
- Chunks of meat are preferably to be divided into small pieces for easy access. Please be noted food shall be consumed within the shelf time.

Note: Storage of too much food during operation after the initial connection to power may adversely affect the freezing effect of the refrigerator. Foods stored shall not block the air outlet; or otherwise the freezing effect will also be adversely affected.

3.2 Functions



! (The picture above is only for reference. The actual configuration will depend on the physical product or statement by the distributor)

1 Key

A. Alarm/power off/power on button B. Frozen thermostat button C. Refrigerated thermostat button

2 Display

- When the initial power is up, it is 3 seconds, While the boot bell rings, and then goes into normal operation display. (Refrigerator and freezer are mid-range at the time of first power-up)
- Display fault code in the event of a failure (Loop display); display the set gear of the refrigeration room in the event of trouble-free.
- Under normal circumstances, the current set gear is displayed, and when a "fault code visible" class failure occurs, the fault code is displayed.

3 Operating instructions

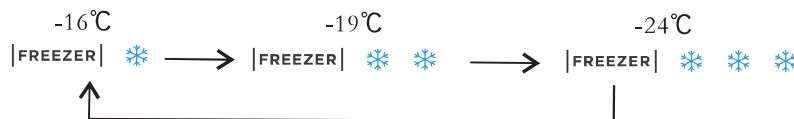
1) Refrigerator settings

Press the refrigeration key to adjust the refrigeration set gear, each press the refrigeration key once, the gear change one gear, the order is as follows:



2) Freezer settings

Press the refrigeration key to adjust the refrigeration set gear, each press the refrigeration key once, the gear change one gear, the order is as follows:



3) Alarm off

When a fault alarm occurs, press the alarm off key short, and the fault alarm sound is canceled.

4) Open the door and alarm

When the freezer door or refrigerator door opens for 120 seconds without shutting down, the buzzer alarms until the freezer door or refrigerator door closes. Or press the alarm off key to cancel the buzzer alarm.

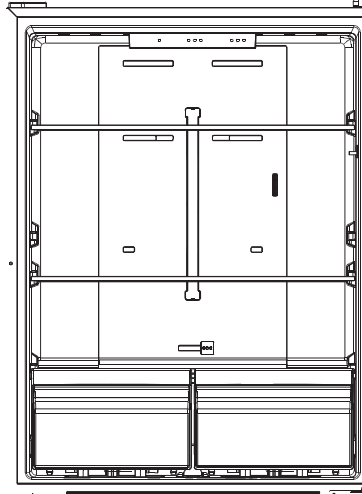
5) Ice maker opens automatically

After 40 seconds of normal operation of the refrigerator, the ice maker opens.

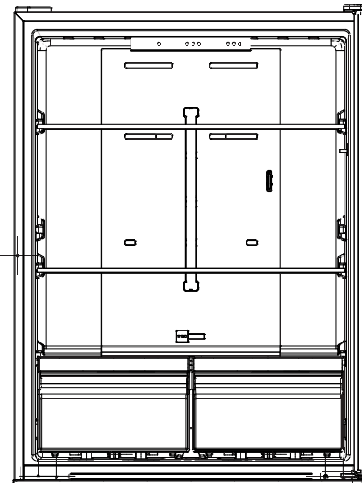
6) Standby mode

Press the alarm off key for 3 seconds to enter standby mode, all loads are turned off and display is off; In standby mode, long press the alarm off for 3 seconds, return to normal control.

- 7) When the freezer frozen humidification paddle is adjusted to the far right, quick-freezing mode close, the freezer fruit and vegetable box can store vegetables, fruits and other items.



- 8) When the freezer frozen humidification paddle is adjusted to the far left, quick-freezing mode open, the freezer fruit and vegetable box can not store vegetables, fruits and other easy to freeze bad items, storage drinks and other items.



4 Fault indication

The following warnings appearing on the display indicate corresponding faults of the refrigerator. Though the refrigerator may still have refrigerator and freezing function with the following faults, the user shall contact maintenance specialist for maintenance, so as to ensure normal use of the refrigerator.

Fault Code	Fault Description
E1	Refrigerator temperature sensor fault LED1/LED2 flashing
E2	Freezer temperature sensor fault LED1/LED5 flashing
E5	Freezing frost sensor faults LED1/LED3 flashing
E6	Communication failure LED2/LED4 flashing
E7	Ring temperature fault LED1/LED4 flashing

4 Maintenance and care of the refrigerator

4.1 Overall cleaning

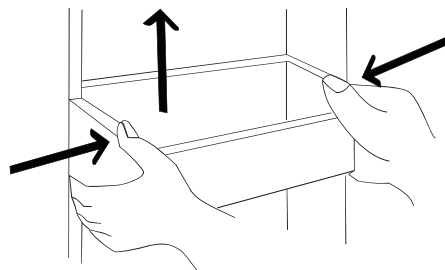
- Dusts behind the refrigerator and on the ground shall be timely cleaned to improve the cooling effect and energy saving.
- Check the door gasket regularly to make sure there are no debris. Clean the door gasket with a soft cloth dampened with soapy water or diluted detergent.
- The interior of the refrigerator should be cleaned regularly to avoid odor.
- Please turn off the power before cleaning interior, remove all foods, drinks, shelves, drawers, etc.
- Use a soft cloth or sponge to clean the inside of the refrigerator, with two tablespoons of baking soda and a quart of warm water. Then rinse with water and wipe clean. After cleaning, open the door and let it dry naturally before turning on the power.
- For areas that are difficult to clean in the refrigerator (such as narrow sandwiches, gaps or corners), it is recommended to wipe them regularly with a soft rag, soft brush, etc. and when necessary, combined with some auxiliary tools (such as thin sticks) to ensure no contaminants or bacterials accumulation in these areas.
- Do not use soap, detergent, scrub powder, spray cleaner, etc., as these may cause odors in the interior of the refrigerator or contaminated food.
- Clean the bottle frame, shelves and drawers with a soft cloth dampened with soapy water or diluted detergent. Dry with a soft cloth or dry naturally.
- Wipe the outer surface of the refrigerator with a soft cloth dampened with soapy water, detergent, etc., and then wipe dry.
- Do not use hard brushes, clean steel balls, wire brushes, abrasives (such as toothpastes), organic solvents (such as alcohol, acetone, banana oil, etc.), boiling water, acid or alkaline items, which may damage the fridge surface and interior. Boiling water and organic solvents such as benzene may deform or damage plastic parts.
- Do not rinse directly with water or other liquids during cleaning to avoid short circuits or affect electrical insulation after immersion.



 Please unplug the refrigerator for defrost and cleaning.

4.2 Cleaning of door tray

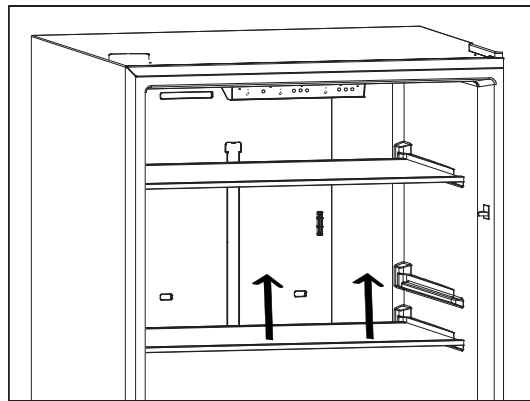
- According to the direction arrow in the figure below, use both hands to squeeze the tray, and push it upward, then you can take it out.
- After washing the tray having been taken out, you can adjust its installing height in accordance with your requirement.



(The picture above is only for reference. The actual configuration will depend on the physical product or statement by the distributor.)

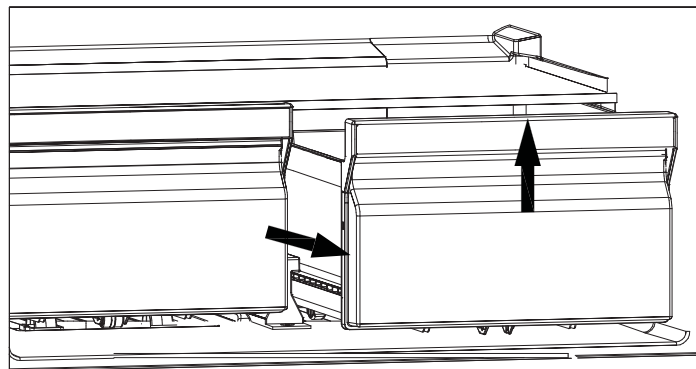
4.3 Glass shelf cleaning

Since the shelf and the box gill have the innermost stop, first lift the shelf up, and then pull out outward can be removed, as needed to adjust or clean,

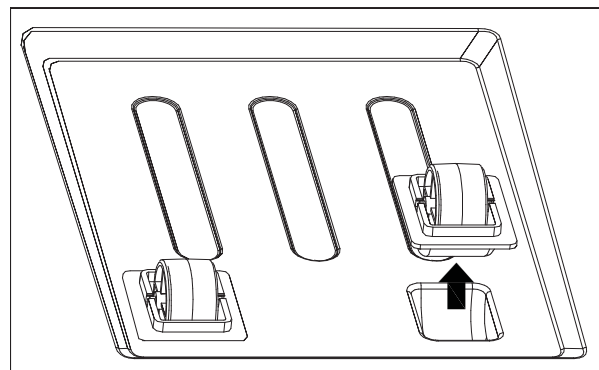


4.4 Box gill bottom roller groove cleaning

1. First pull out the fruit and vegetable box, because the fruit and vegetable box has a stop, it needs to lift be lifted upward before the fruit and vegetable box can be removed.



2. The roller seat is stuck in the box tank groove, press the arrow in the direction of the image, remove the roller seat, clean the box tank groove as needed.




4.5 Defrosting

- The refrigerator is made based on the air-cooling principle and thus has automatic defrosting function. Frost formed due to change of season or temperature may also be manually removed by disconnection of the appliance from power supply or by wiping with a dry towel.

4.6 Out of operation

- Power failure: In case of power failure, even if it is in summer, foods inside the appliance can be kept for several hours; during the power failure, the times of door opening shall be reduced, and no more fresh food shall be put into the appliance.
- Long-time nonuse: The appliance shall be unplugged and then cleaned; then the doors are left open to prevent odor.
- Moving: Before the refrigerator is moved, take all objects inside out, fix the glass partitions, vegetable holder, freezing chamber drawers and etc. with tape, and tighten the levelling feet; close the doors and seal them with tape. During moving, the appliance shall not be laid upside down or horizontally, or be vibrated; the inclination during movement shall be no more than 45°.

 The appliance shall run continuously once it is started. Generally, the operation of the appliance shall not be interrupted; otherwise the service life may be impaired

5 Trouble shooting

You may try to solve the following simple problems by yourself. If them cannot be solved, please contact the after-sales department.

Failed operation	<p>Check whether the appliance is connected to power or whether the plug is in well contact .</p> <p>Check whether the voltage is too low.</p> <p>Check whether there is a power failure or partial circuits have tripped.</p>
Odor	<p>Odorous foods shall be tightly wrapped.</p> <p>Check whether there is any rotten food.</p> <p>Clean the inside of the refrigerator.</p>
Long-time operation of the compressor	<p>Long operation of the refrigerator is normal in summer when the ambient temperature is high.</p> <p>It is not recommended having too much food in the appliance at the same time.</p> <p>Food shall get cool before being put into the appliance.</p> <p>The doors are opened too frequently.</p>
Light fails to get lit	<p>Check whether the refrigerator is connected to power supply and whether the illuminating light is damaged.</p>
Doors cannot be properly closed	<p>The door is stuck by food packages.</p> <p>The refrigerator is tilted.</p>
Loud noise	<p>Check whether the floor is level and whether the refrigerator is placed stably.</p> <p>Check whether accessories are placed at proper locations.</p>
Door seal fails to be tight	<p>Remove foreign matters on the door seal.</p> <p>Heat the door seal and then cool it for restoration (or blow it with an electrical drier or use a hot towel for heating).</p>
Water pan overflows	<p>There is too much food in the chamber or food stored contains too much water,resulting in heavy defrosting.</p> <p>The doors are not closed properly, resulting in frosting due to entry of air and increased water due to defrosting.</p>
Hot housing	<p>Heat dissipation of the built-in condenser via the housing, which is normal.</p> <p>When housing becomes hot due to high ambient temperature and storage of too much food,it is recommended to provide sound ventilation to facilitate heat dissipation.</p>
Surface condensation	<p>Condensation on the exterior surface and door seals of the refrigerator is normal when the ambient humidity is too high. Just wipe the condensate with a clean towel.</p>
Abnormal noise	<p>Buzz: The compressor may produce buzzes during operation, and the buzzes are loud particularly upon start or stop. This is normal.</p> <p>Creak: Refrigerant flowing inside of the appliance may produce creak, which is normal.</p>



ONE YEAR WARRANTY - VALID ONLY WITH ORIGINAL PURCHASE RECEIPT

WARRANTY: Home Hardware Stores Limited warrants this product against defects in any parts or workmanship for a period of 1 year from the original purchase date. This product is for residential use only. It is not intended to be used in commercial or industrial settings. This product warranty covers only the original consumer purchaser of the product.

Contact OMNImax Consumer Services or an authorized OMNImax servicer at 1-866-646 4332.

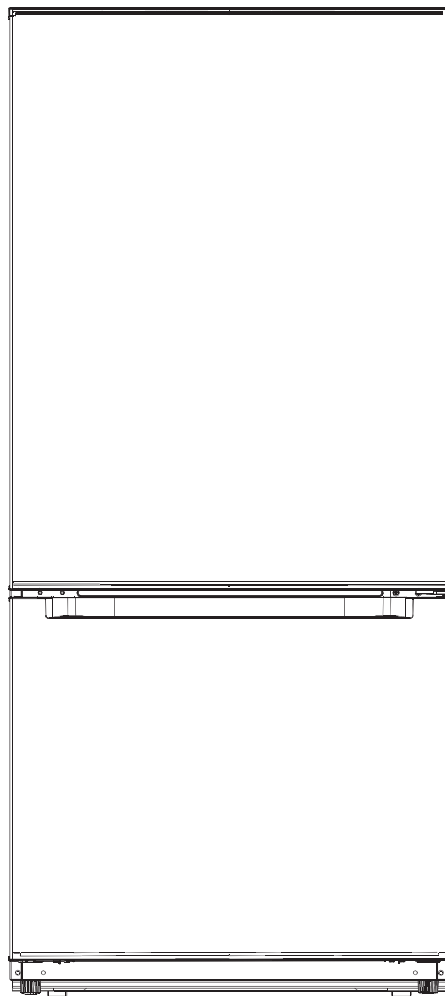
WARRANTY COVERAGE: This warranty is void if the product has been damaged by accident, neglect, improper handling or operation, shipping damage, abuse, misuse, unauthorized repairs made or attempted, alterations, improper assembly/installation or maintenance, commercial use or other causes not arising out of defect in materials or workmanship. This warranty does not extend to any units which have been altered or modified or to damage to products or parts there of which have had the serial number removed, altered, defaced or rendered illegible. Return to the closest Home Hardware store for inspection and/or replacement.

IMPLIED WARRANTIES: Any implied warranties which the purchaser may have are limited in duration to 1 year from the date of purchase. This limited warranty is in lieu of all other warranties expressed or implied, including warranties of merchantability and fitness for a particular purpose and excludes all liability for incidental or consequential damages for any cause whatsoever.

WARRANTY PERFORMANCE: During the above 1 year warranty period, a product with a defect will be replaced when the product is returned to an authorized dealer. The replacement product will be in warranty for the balance of the 1 year warranty period and an additional one month period. No charge will be made for such replacement.



Manuel d'instructions
Réfrigérateur-Congélateur



MODÈLE : 3750-247

SOMMAIRE

1 Avertissements de sécurité	
1.1 Avertissement	1-2
1.2 Significations des symboles d'avertissement de sécurité.....	3
1.3 Avertissements liés à l'électricité	3
1.4 Avertissements liés à l'utilisation	4
1.5 Avertissements liés au déplacement	4-5
1.6 Avertissements liés à l'énergie	5
1.7 Avertissements liés à l'élimination	5
2 Utilisation correcte du réfrigérateur	
2.1 Emplacement.....	6
2.2 Pieds de nivellement	7
2.3 Installation d'une machine à glaçons en option	7
2.4 Changement de porte de droite à gauche	8-10
2.5 Changement de la lampe	10
2.6 Démarrage	10
2.7 Conseils d'économie d'énergie.....	10
3 Structure et fonctions	
3.1 Composants clés.....	11
3.2 Fonctions.....	12-13
4 Maintenance et entretien du réfrigérateur	
4.1 Nettoyage global.....	14
4.2 Nettoyage du plateau de la porte	14
4.3 Nettoyage de l'étagère en verre	15
4.4 Nettoyage des rainures des rouleaux du fond de la boîte.....	15
4.5 Dégivrage	16
4.6 Hors service.....	16
5 Dépannage	
5.1 Dépannage.....	17

1 Avertissements de sécurité

1.1 Avertissement



Avertissement : risque d'incendie / de matériaux inflammables

CET appareil est destiné à être utilisé dans des applications domestiques et similaires telles que les cuisines du personnel dans les magasins, les bureaux et autres environnements de travail ; les maisons de ferme et par les clients dans les hôtels, les motels et autres environnements de type résidentiel ; les environnements de type chambres d'hôtes ; la restauration et autres applications similaires non commerciales.

CET appareil n'est pas destiné à être utilisé par des personnes (y compris des enfants) dont les capacités physiques, sensorielles ou mentales sont réduites ou qui manquent d'expérience et de connaissances, sauf si elles ont été supervisées ou ont reçu des instructions concernant l'utilisation de l'appareil par une personne responsable de leur sécurité).

LES enfants doivent être surveillés pour assurer qu'ils ne jouent pas avec l'appareil.

Si le câble d'alimentation est endommagé, ce câble doit être remplacé par le fabricant, son agent de service ou des personnes de qualification similaire pour éviter tout risque.

Ne stockez pas dans cet appareil des substances explosives telles que des bombes aérosols contenant un propergol inflammable.

LE présent appareil doit être débranché après utilisation et avant la mise en place de la maintenance d'utilisateur.

AVERTISSEMENT : Maintenez la ventilation dans l'enveloppe ou dans la structure interne de l'appareil en bon état.

AVERTISSEMENT : N'utilisez pas des appareils mécaniques ou d'autres moyens pour accélérer le processus de dégivrage, autres que ceux recommandés par le fabricant.

AVERTISSEMENT : N'endommagez pas le circuit du fluide frigorigène.

AVERTISSEMENT : N'utilisez pas d'appareils électriques dans des compartiments de stockage des aliments de l'appareil, sauf s'ils sont du type recommandé par le fabricant.

AVERTISSEMENT : Mettez en rebut le fluide frigorigène conformément aux réglementations locales car il utilise du gaz expansé inflammable et du fluide frigorigène.

AVERTISSEMENT : Lors du positionnement de l'appareil, s'assurer que le câble d'alimentation n'est pas coincé ou endommagé.

AVERTISSEMENT : Ne placez pas plusieurs prises ou blocs d'alimentation portables à l'arrière de l'appareil.

N'utilisez pas le câble d'extension ou l'adaptateur non mis à la terre (deux broches).

AVERTISSEMENT : Risque de piégeage des enfants. Avant de jeter votre vieux réfrigérateur ou congélateur :

- Démontez les portes.

- Mettez les étagères à l'endroit approprié afin que les enfants ne puissent pas facilement grimper à l'intérieur.

LE réfrigérateur doit être déconnecté de l'alimentation avant de tenter l'installation des accessoires.

Les enfants doivent être surveillés pour assurer qu'ils ne jouent pas avec l'appareil.

Les instructions doivent comprendre la substance de ce qui suit : Pour éviter la contamination des aliments, veuillez respecter les instructions suivantes :

- L'ouverture de la porte pendant longtemps peut entraîner une augmentation importante de la température dans les compartiments de l'appareil.
 - Nettoyez régulièrement les surfaces qui peuvent entrer en contact avec les aliments et les systèmes de drainage accessibles.
 - Nettoyez les réservoirs d'eau s'ils n'ont pas été utilisés pendant 48 h ; rincez le circuit d'eau connecté à l'alimentation d'eau si l'eau n'a pas été pompée depuis 5 jours. (Note 1)
 - Stockez la viande et le poisson crus dans des récipients appropriés dans le réfrigérateur, pour qu'ils ne soient pas en contact avec ou ne coulent pas sur d'autres aliments.
 - Les compartiments pour aliments surgelés à deux étoiles ****** sont adaptés au stockage d'aliments pré-congelés, au stockage ou à la fabrication de glaces et à la fabrication de glaçons. (Note 2)
 - Les compartiments à une *****, deux ****** et trois étoiles ******* ne sont pas adaptés à la congélation des aliments frais. (Note 3)
 - Si le réfrigérateur est laissé vide pendant une longue période, éteignez, dégivrez, nettoyez, séchez et laissez la porte ouverte pour éviter la formation de moisissures à l'intérieur de l'appareil.
- Notes 1, 2, 3 : Confirmez s'il est applicable selon le type de compartiment de votre produit.

LE réfrigérant et le matériel expansé cyclopentane utilisés pour l'appareil sont inflammables. Par conséquent, les appareils doivent être mis au rebut loin de toute source d'incendie et être récupérés par des entreprises de recyclage spécialisées ayant les qualifications requises, autre que d'être éliminé par incinération, afin d'éviter les dommages à l'environnement ou tout autre dommage.

LA nécessité que, pour les portes ou les couvercles munis de serrures et de clés, les clés soient tenues hors de portée des enfants et non à proximité de l'appareil frigorifique, afin d'éviter que les enfants ne soient enfermés à l'intérieur.

AVERTISSEMENT : Pour éviter tout danger dû à l'instabilité de l'appareil, l'appareil doit être fixé conformément aux instructions.




AVERTISSEMENT : Ne raccordez qu'à l'alimentation en eau potable (convient à la machine à glace).

POUR éviter le coincement de l'enfant, veuillez tenir hors de portée des enfants et non à proximité d'un congélateur (ou d'un réfrigérateur). (Applicable aux produits avec serrures)

Pour les employés avec le kit de fabrication de glace en option :

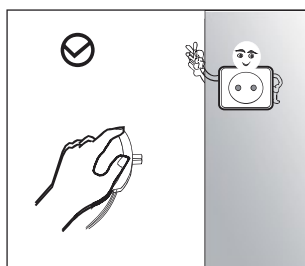
1. Pression de l'eau d'entrée minimale/maximale, 138/827 kPa (20/120 psig).
2. **AVERTISSEMENT** : Connectez uniquement à l'alimentation en eau potable.

1.2 Signification des symboles d'avertissement de sécurité

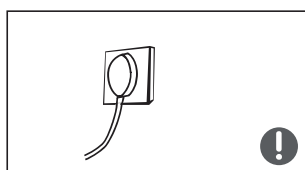
 Symboles d'interdiction	Il s'agit d'un symbole de prohibition. Toute inobservation des instructions marquées de ce symbole peut entraîner des dommages au produit ou mettre en danger la sécurité personnelle de l'utilisateur.
 Symboles d'avertissement	Il s'agit d'un symbole d'avertissement. Il est tenu de fonctionner dans le strict respect des instructions marquées de ce symbole ; sinon les dommages au produit ou de blessures corporelles peuvent être causés.
 Symboles de note	Il s'agit d'un symbole de mise en garde. Les instructions marquées de ce symbole nécessitent une attention particulière. Une prudence insuffisante peut entraîner des blessures légères ou modérées, ou des dommages au produit.

Ce manuel contient de nombreuses informations de sécurité importantes qui doivent être respectées par les utilisateurs.

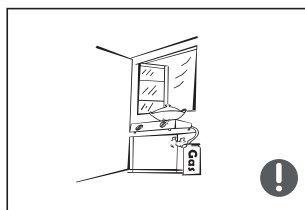
1.3 Avertissements liés à l'électricité



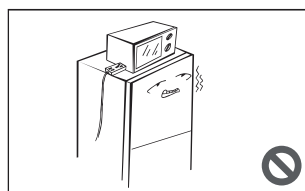
- Ne débranchez pas le câble d'alimentation si vous débranchez la fiche d'alimentation du réfrigérateur. Prenez la prise fermement en main et débranchez-la directement de la prise femelle.
- Pour assurer une utilisation sûre, n'endommagez pas le câble d'alimentation ou n'utilisez pas le câble d'alimentation s'il est endommagé ou usé.



- Veuillez utiliser une prise de courant dédiée et la prise de courant ne doit pas être partagée avec d'autres appareils électriques. La corde d'alimentation doit être fermement connectée à la prise, faute de quoi un incendie pourrait se produire.
- Assurez-vous que l'électrode de mise à la terre de la prise est équipée.

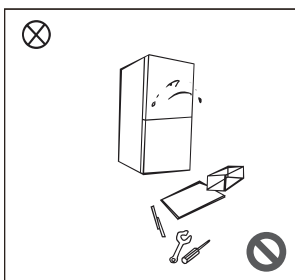


- Fermez la vanne du gaz qui fuit, puis ouvrez les portes et les fenêtres, en cas de fuite de gaz et d'autres gaz inflammables.
- Ne débranchez pas le réfrigérateur ni les autres appareils électriques car une étincelle pourrait provoquer un incendie.

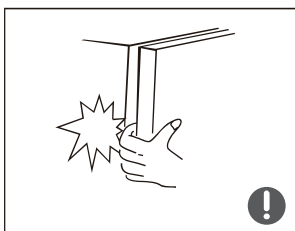


- N'utilisez pas d'appareils électriques au-dessus de l'appareil, sauf s'ils sont du type recommandé par le fabricant.

1.4 Avertissements liés à l'utilisation



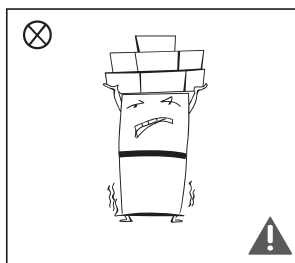
- Ne démontez pas ou modifiez le réfrigérateur à volonté, et n'endommagez pas le circuit de réfrigération ; la maintenance de l'appareil doit être effectuée par un professionnel.
- Le câble d'alimentation endommagé doit être remplacé par le fabricant, son service de maintenance ou des professionnels connexes afin d'éviter tout danger.



- Les espaces entre les portes le réfrigérateur et entre les portes et le corps du réfrigérateur sont petits, et il faut noter de ne pas mettre la main dans ces zones pour éviter de pincer le doigt. Ouvrez la porte du réfrigérateur de manière douce pour éviter de faire tomber des articles.
- Ne prenez pas d'aliments ou de récipients avec les mains mouillées dans la chambre de congélation lorsque le réfrigérateur est en marche, en particulier les récipients métalliques afin d'éviter les gelures.

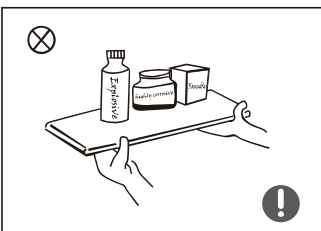


- Aucun enfant n'est permis d'entrer dans le réfrigérateur ou d'y grimper, sinon il risque de s'étouffer ou de se blesser en tombant.

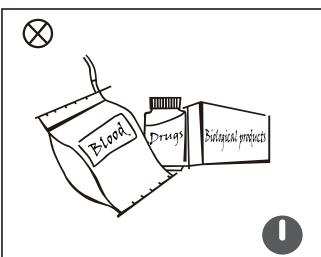


- Ne placez pas d'objets lourds sur le dessus du réfrigérateur, car des objets peuvent tomber lors de la fermeture ou de l'ouverture de la porte en provoquant des blessures accidentelles.

1.5 Avertissements liés au déplacement



- Ne mettez pas d'objets inflammables, explosifs, volatils et hautement corrosifs dans le réfrigérateur pour éviter d'endommager le produit ou de provoquer un incendie.
- Ne mettez pas d'objets inflammables près du réfrigérateur pour éviter les incendies.



- Le réfrigérateur est destiné à un usage domestique, par exemple pour le stockage des aliments ; il ne doit pas être utilisé à d'autres fins, telles que le stockage de sang, de médicaments ou de produits biologiques, etc.



- Ne stockez pas la bière, la boisson ou tout autre liquide dans des bouteilles ou des récipients fermés dans la chambre de congélation du réfrigérateur ; sinon, les bouteilles ou les récipients fermés peuvent se fissurer en raison du gel et causer des dommages.

1.6 Avertissements liés à l'énergie

Avertissements liés à l'énergie

- 1) Les appareils de réfrigération ne peuvent pas fonctionner de manière constante (possibilité de décongélation du stockage ou de température trop élevée dans le compartiment des aliments congelés) lorsqu'ils sont placés pendant une période prolongée en dessous de la partie froide de la plage de températures pour laquelle l'appareil de réfrigération est conçu.
- 2) Le fait que les boissons effervescentes ne doivent pas être stockées dans des compartiments ou armoires de congélation des aliments ou dans des compartiments ou armoires à basse température, et que certains produits tels que les glaces à l'eau ne doivent pas être consommés à une température trop basse ;
- 3) La nécessité de ne pas dépasser le temps de stockage recommandé par les fabricants d'aliments pour tout type d'aliment et en particulier pour les aliments surgelés dans des congélateur d'aliment ou des compartiments ou des armoires de stockage d'aliments surgelés ;
- 4) Les précautions nécessaires pour éviter une élévation excessive de la température des aliments surgelés lors dégivrage de l'appareil de réfrigération, par exemple l'emballage des aliments surgelés avec plusieurs couches de papier de journal.
- 5) Le fait qu'une élévation de la température des aliments surgelés lors du dégivrage manuel, de la maintenance ou du nettoyage puisse raccourcir la durée de conservation.

1.7 Avertissements liés à l'élimination

Le réfrigérant et le matériel expansé cyclopentane utilisés pour le réfrigérateur sont inflammables. Par conséquent, le réfrigérateur doit être mis au rebut loin de toute source d'incendie et être récupérés par des entreprises de recyclage spécialisées ayant les qualifications requises, autre que d'être éliminé par incinération, afin d'éviter les dommages à l'environnement ou tout autre dommage.

Lorsque le réfrigérateur est mis au rebut, démontez les portes et retirez le joint de la porte et des étagères; placez les portes et les étagères dans un endroit approprié, de manière à éviter le piégeage de tout enfant.

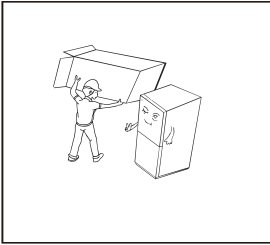


Élimination correcte du produit :

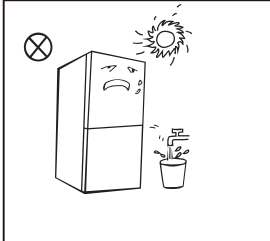
Ce marquage indique que ce produit ne doit pas être éliminé avec les autres déchets ménagers dans toute l'UE. Pour éviter tout dommage possible à l'environnement ou à la santé humaine résultant d'une élimination incontrôlée des déchets, recyclez cet appareil de manière responsable afin de promouvoir la réutilisation durable des ressources matérielles. Pour retourner votre appareil usagé, utilisez le système de retour et de collecte ou contactez le détaillant où le produit a été acheté. Ils peuvent prendre ce produit pour un recyclage respectueux de l'environnement.

2 Utilisation correcte du réfrigérateur

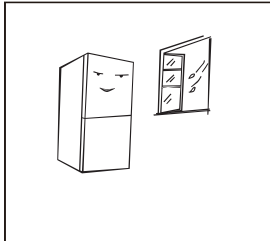
2.1 Emplacement



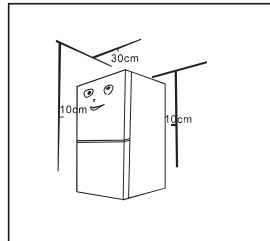
- Avant utilisation, retirez tous les matériaux d'emballage, y compris les coussins de fond, les coussins en mousse et les rubans adhésifs à l'intérieur du réfrigérateur ; déchirez le film de protection des portes et du corps du réfrigérateur.



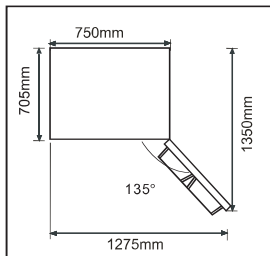
- Tenez à l'écart de la chaleur et évitez la lumière directe du soleil. Ne placez pas le congélateur dans les endroits humides ou mouillés pour éviter la rouille ou la réduction de l'effet isolant.
- Ne vaporisez pas ou ne lavez pas le réfrigérateur ; ne placez pas le réfrigérateur dans des endroits humides et faciles à éclabousser avec de l'eau afin de ne pas affecter les propriétés d'isolation électrique du réfrigérateur.



- Le réfrigérateur est placé dans un endroit intérieur bien ventilé; le sol doit être plat et solide (tournez à gauche ou à droite pour régler la roue pour la mise à niveau si elle est instable).



- Ce réfrigérateur doit être installé de manière indépendante et ne peut pas servir d'un appareil encastré. Sinon, il causera des problèmes tels que l'échec de l'installation dans l'armoire, la réduction des performances et de la durée de vie du produit. Et le fabricant ne fournit pas de garantie de base sur le produit.
- L'espace supérieur du réfrigérateur doit être supérieur à 30cm, et le réfrigérateur doit être placé contre un mur avec une distance libre de plus de 10cm pour faciliter la dissipation de la chaleur.

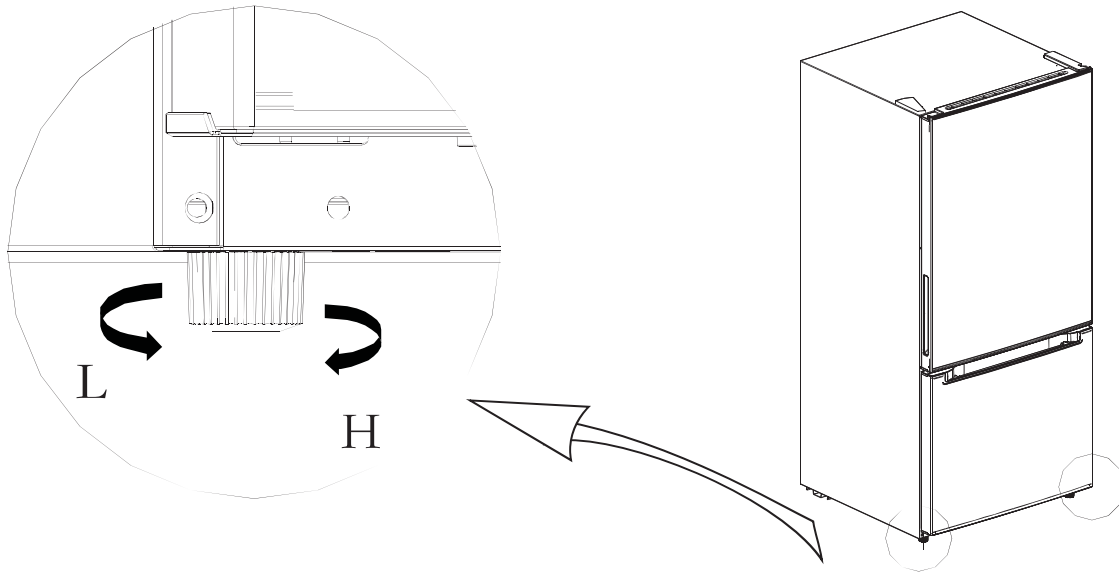


- Prévoyez suffisamment d'espace pour faciliter l'ouverture des portes et des tiroirs.

La figure ci-dessus est seulement à titre indicatif. La configuration réelle dépendra du produit physique ou de la déclaration du distributeur.

2.2 Pieds de nivellement

Diagramme schématique du pieds de nivellement



(La figure ci-dessus est seulement à titre indicatif. La configuration réelle dépendra du produit physique ou de la déclaration du distributeur)


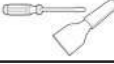
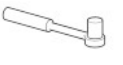

Procédures d'ajustement :

- Tournez les pieds dans le sens des aiguilles d'une montre pour soulever le réfrigérateur ;
- Tournez les pieds dans le sens inverse des aiguilles d'une montre pour abaisser le réfrigérateur ;
- Ajustez les pieds droit et gauche selon les procédures ci-dessus à un niveau horizontal.

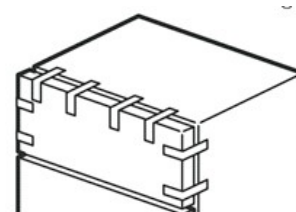
2.3 Installation D'une Machine à Glaçons en Option

Le réfrigérateur est configuré pour l'installation de la machine à glaçons. Ce réfrigérateur est compatible avec la machine à glaçons IM1900MD. Veuillez vous référer au manuel d'instructions d'installation de la machine à glaçons individuelle.

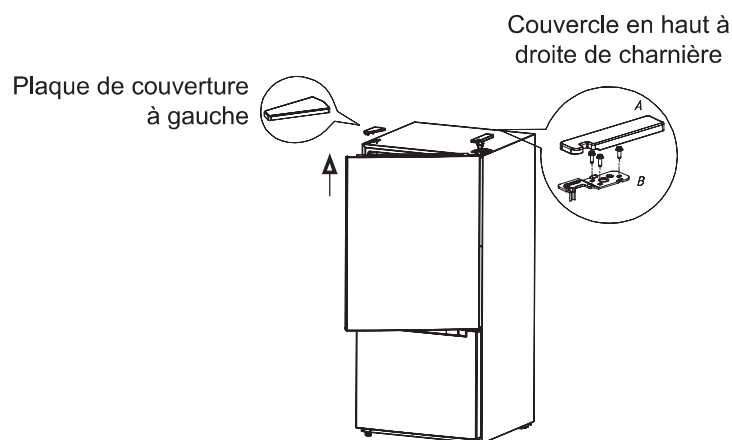
2.4 Changement de porte de droite à gauche

Liste des outils à fournir par l'utilisateur			
	Tournevis cruciforme		Couteau à mastic Tournevis à lame fine
	5/16" douille et cliquet		Ruban de masquage

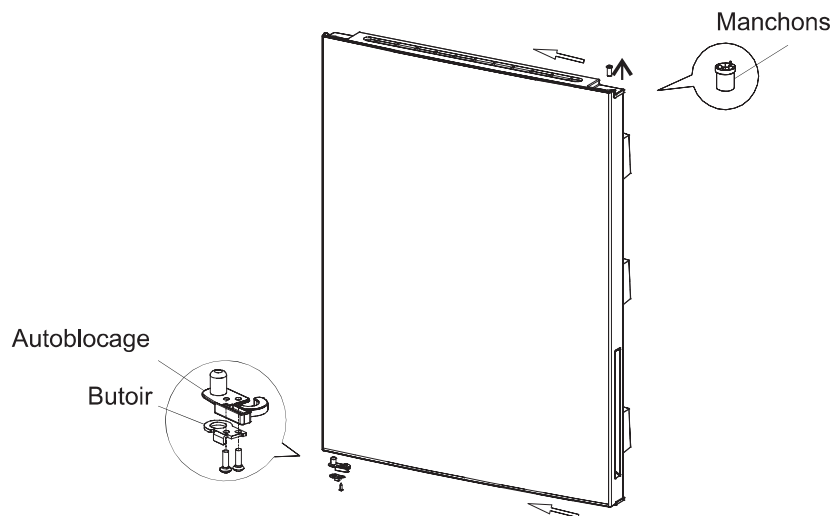
- 1) Débranchez votre réfrigérateur et retirez tous les aliments des balconnets de la porte.
Retirez tous les aliments du revêtement intérieur de la porte.
Fixez la porte avec du ruban adhésif.



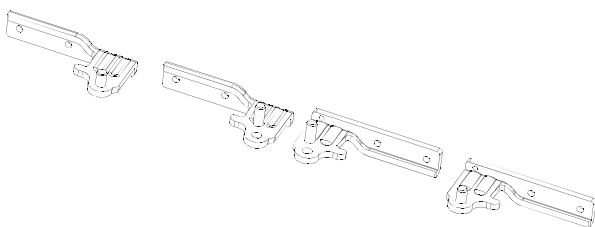
- 2) Retirez le couvercle gauche et le couvercle de la charnière supérieure droite, puis dévissez les vis et retirez la charnière supérieure droite. Gardez les vis pour les réutiliser.



- 3) Soulevez la porte du réfrigérateur et éloignez-la de votre réfrigérateur.
- 4) Démontez les manchons en haut à droite des portes et le capuchon de trou en haut à gauche des portes, et assemblez-les de l'autre côté.
- 5) Retirez la butée de la porte du réfrigérateur et le bloc autobloquant de droite, sortez le bloc autobloquant et la butée de gauche du sac d'accessoires dans le réfrigérateur et installez-les sur la gauche de la porte.

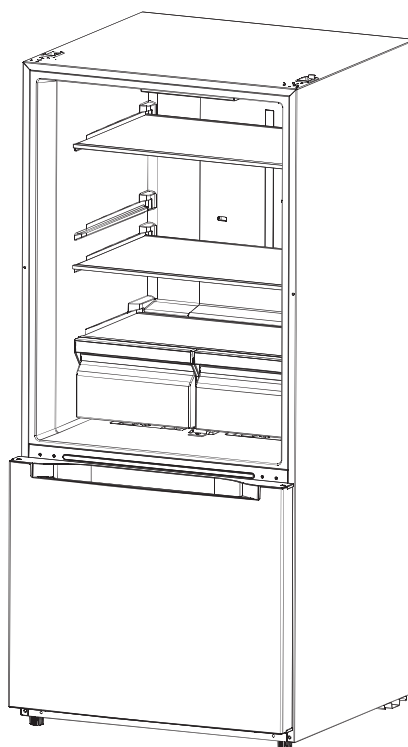
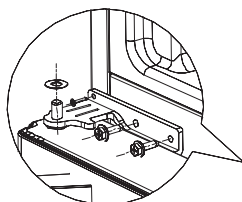


- 6) Retirez la charnière centrale, retirez l'axe de la charnière centrale avec un tournevis à fente, installez l'axe de la charnière sur le côté opposé de la charnière et installez la charnière à gauche de la boîte.

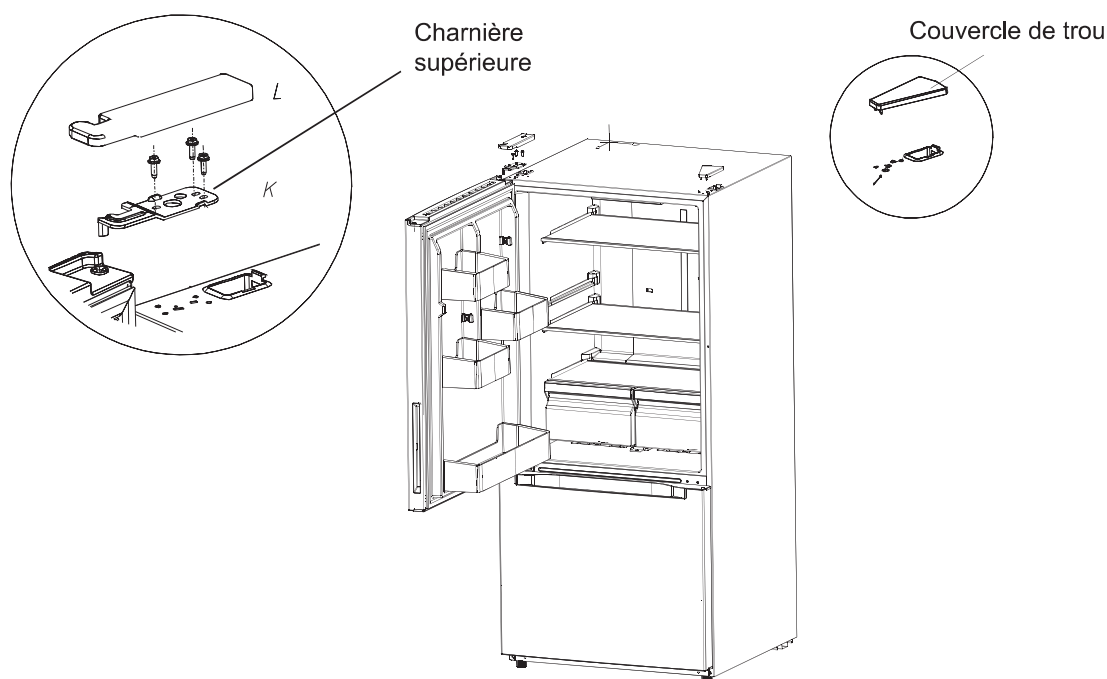


Dans l'ordre indiqué ci-dessus, l'arbre de charnière central peut être changé.

Fixez la charnière
centrale gauche.

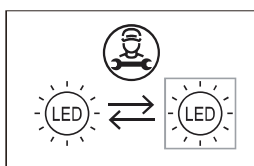


- 7) Posez verticalement la porte du réfrigérateur sur la charnière centrale, puis sortez la charnière supérieure et le couvercle de l'autre côté du sac d'accessoires, assemblez la charnière supérieure, le couvercle de la charnière et le couvercle du trou.



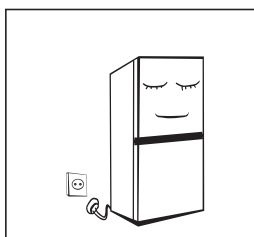
(La figure ci-dessus est seulement à titre indicatif. La configuration réelle dépendra du produit physique ou de la déclaration du distributeur)

2.5 Changement de la lampe



- Tout remplacement ou entretien des lampes LED doit être effectué par le fabricant, son agent de service ou une personne qualifiée similaire.

2.6 Démarrage



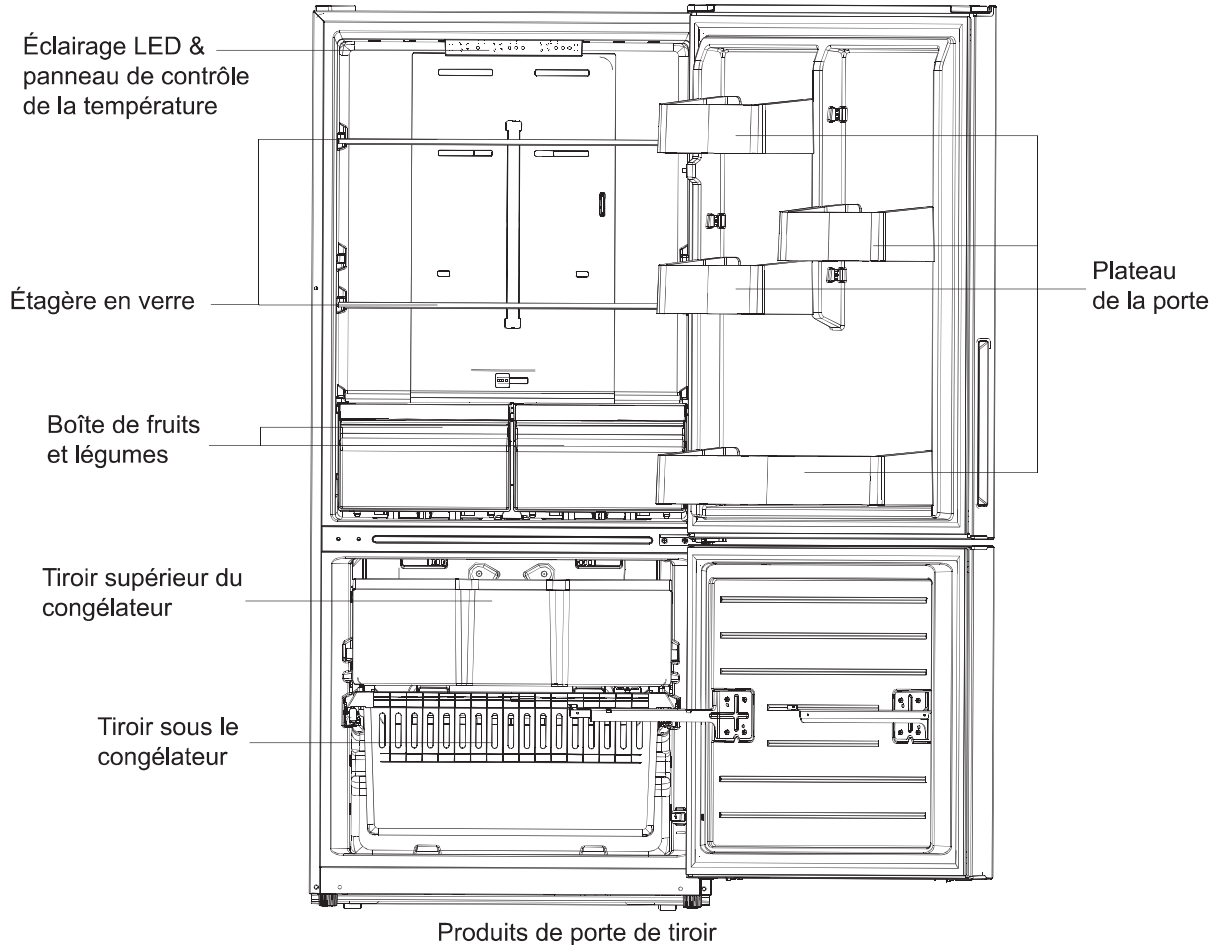
- Après le transport, veuillez laisser le produit reposer pendant plus de 2 heures avant de le mettre sous tension, sinon cela entraînera une diminution de la capacité de refroidissement ou un endommagement du produit.
- Avant de mettre des aliments frais ou congelés, le réfrigérateur doit avoir fonctionné pendant 2 à 3 heures, ou pendant plus de 4 heures en été lorsque la température ambiante est élevée.
- Débranchez la prise en cas de coupure d'électricité ou de nettoyage. Ne connectez pas le congélateur à l'alimentation électrique dans les cinq minutes pour éviter d'endommager le compresseur en raison de démarrages successifs.


2.7 Conseils d'économie d'énergie

- L'appareil doit être placé à l'endroit le plus frais de la pièce, loin des appareils produisant de la chaleur ou des conduits de chauffage, et à l'abri de la lumière directe du soleil.
- Laissez les aliments chauds refroidir à température ambiante avant de les mettre dans l'appareil. Une surcharge de l'appareil force le compresseur à fonctionner plus longtemps. Les aliments qui congèlent trop lentement peuvent perdre en qualité ou se gâter.
- Les aliments doivent être correctement emballés et séchés avant d'être mis dans l'appareil. Cela peut réduire l'accumulation de givre à l'intérieur de l'appareil.
- Le bac de stockage de l'appareil ne doit pas être couvert de papier d'aluminium, de papier ciré ou de serviettes en papier. Les doublures interfèrent avec la circulation de l'air froid, ce qui réduit l'efficacité de l'appareil.
- Organisez et étiquetez les aliments pour réduire les ouvertures de porte et les recherches pour longtemps. Retirez autant d'objets que nécessaire en une seule fois et fermez la porte dès que possible.

3 Structure et fonctions

3.1 Composants clés



 (La figure ci-dessus est seulement à titre indicatif. La configuration réelle dépendra du produit physique ou de la déclaration du distributeur)

Chambre de réfrigération

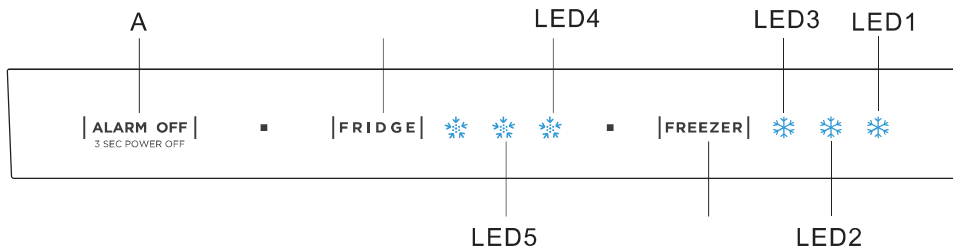
- La chambre de réfrigération est adaptée au stockage d'une variété de fruits, de légumes, de boissons et d'autres aliments consommés à court terme.
- Les aliments cuits ne doivent pas être mis dans la chambre de réfrigération avant d'avoir été refroidis à température ambiante.
- Il est recommandé de sceller les aliments avant de les mettre au réfrigérateur.
- Les étagères en verre peuvent être ajustées vers le haut ou vers le bas pour un espace de rangement raisonnable et une utilisation facile.

Chambre de congélation

- La basse température de la chambre de congélation peut maintenir les aliments frais pendant une longue période et il est principalement utilisé pour stocker les aliments congelés et fabriquer de la glace.
- La chambre de congélation est adaptée au stockage de la viande, du poisson, des boulettes de riz et d'autres aliments qui ne doivent pas être consommés à court terme.
- Les morceaux de viande doivent de préférence être divisés en petits morceaux pour en faciliter l'accès. Il faut noter que les aliments doivent être consommés dans le délai de conservation.

Remarque : Le stockage d'une trop grande quantité d'aliments pendant le fonctionnement après la première mise sous tension peut nuire à l'effet de congélation du réfrigérateur. Les aliments stockés ne doivent pas bloquer la sortie d'air ; sinon, l'effet de congélation sera également affecté.

3.2 Fonctions



! (La figure ci-dessus est seulement à titre indicatif. La configuration réelle dépendra du produit physique ou de la déclaration du distributeur)

1 Touche

- A. Bouton alarme/mise hors tension/mise sous tension B. Bouton du thermostat de congélation C. Bouton du thermostat de réfrigération

2 Affichage

- Lors de la mise sous tension initiale, il s'écoule 3 secondes, tandis que la sonnerie de démarrage retentit, puis l'affichage du fonctionnement normal. (Le réfrigérateur et le congélateur sont de gamme moyenne au moment de la première mise sous tension)
- Affichage du code d'erreur en cas de panne (affichage en boucle) ; affichage de la vitesse de réglage de la chambre frigorifique en cas d'absence de panne.
- Dans des circonstances normales, le rapport de réglage actuel est affiché, et lorsqu'une défaillance de classe « code de défaut visible » se produit, le code de défaut est affiché.

3 Instructions d'utilisation

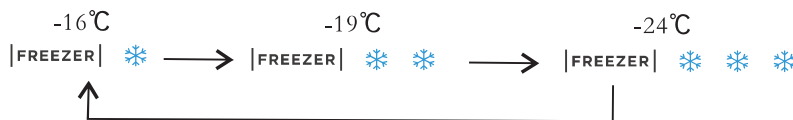
1) Réglages du réfrigérateur

Appuyez sur la touche de réfrigération pour régler le rapport de réglage de la réfrigération, chaque fois que vous appuyez une fois sur la touche de réfrigération, le rapport change d'une vitesse, l'ordre est le suivant :



2) Réglages du congélateur

Appuyez sur la touche de réfrigération pour régler le rapport de réglage de la réfrigération, chaque fois que vous appuyez une fois sur la touche de réfrigération, le rapport change d'une vitesse, l'ordre est le suivant :



3) Arrêt de l'alarme

Lorsqu'une alarme de défaut se produit, appuyez brièvement sur la touche d'arrêt de l'alarme, et le son de l'alarme de défaut est annulé.

4) Ouvrir la porte et l'alarme

Lorsque la porte du congélateur ou du réfrigérateur s'ouvre pendant 120 secondes sans se refermer, l'avertisseur sonore se déclenche jusqu'à ce que la porte du congélateur ou du réfrigérateur se referme. Ou appuyez sur la touche d'arrêt de l'alarme pour annuler l'alarme sonore.

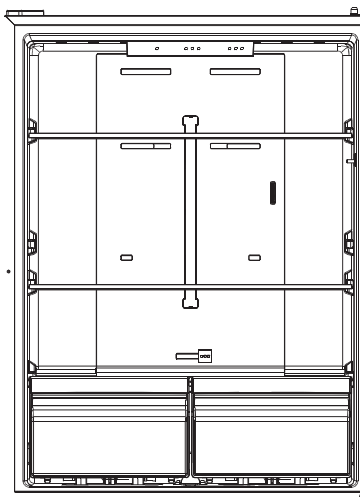
5) La machine à glaçons s'ouvre automatiquement

Après 40 secondes de fonctionnement normal du réfrigérateur, la machine à glaçons s'ouvre.

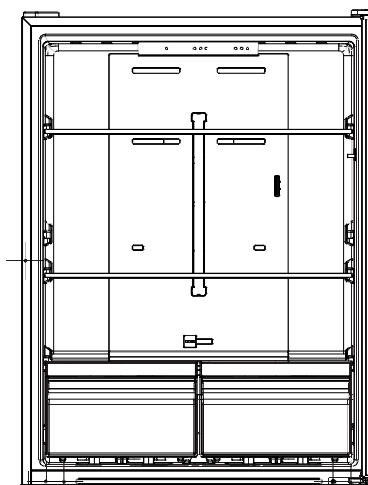
6) Mode veille

Appuyez sur la touche d'arrêt d'alarme pendant 3 secondes pour passer en mode veille, toutes les charges sont éteintes et l'écran est éteint. En mode veille, appuyez longuement sur la touche d'arrêt d'alarme pendant 3 secondes pour revenir au contrôle normal.

- 7) Lorsque la palette d'humidification du congélateur est réglée à l'extrême droite, le mode de congélation rapide se ferme, la boîte à fruits et légumes du congélateur peut stocker des légumes, des fruits et d'autres objets.



- 8) Lorsque la palette d'humidification du congélateur est réglée à l'extrême gauche, le mode de congélation rapide est ouvert, la boîte de fruits et légumes du congélateur ne peut pas stocker des légumes, des fruits et d'autres articles faciles à congeler, des boissons de stockage et d'autres articles.



4) Indication des défauts

Les avertissements suivants apparaissant sur l'écran indiquent les défauts correspondants du réfrigérateur. Bien que le réfrigérateur puisse encore avoir une fonction de réfrigération et de congélation avec les défauts suivants, l'utilisateur doit contacter le spécialiste de l'entretien pour l'entretien, afin d'assurer une utilisation normale du réfrigérateur.

Code de Défaut	Description de Défaut
E1	Panne du capteur de température du réfrigérateur LED1 / LED2 clignotant
E2	Panne du capteur de température du congélateur LED1 / LED5 clignotant
E5	Panne du capteur de gel de glace LED1 / LED3 clignotant
E6	Panne de communication LED2 / LED4 clignotant
E7	Panne de température de l'anneau LED1/LED4 clignotant

4. Maintenance et entretien du réfrigérateur

4.1 Nettoyage global

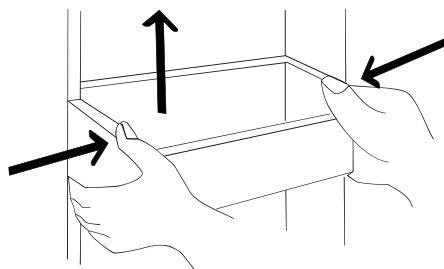
- Les poussières derrière du réfrigérateur et au sol doivent être nettoyées en temps opportun pour améliorer l'effet de refroidissement et économiser l'énergie.
- Vérifiez régulièrement le joint de la porte pour s'assurer qu'il n'y a pas de débris. Nettoyez le joint de la porte avec un chiffon doux imbibé d'eau savonneuse ou de détergent dilué.
- L'intérieur du réfrigérateur doit être nettoyé régulièrement pour éviter les odeurs.
- Veuillez couper l'alimentation électrique avant de nettoyer l'intérieur, retirer tous les étagères et tiroirs pour les aliments, les boissons, etc.
- Nettoyez l'intérieur du réfrigérateur avec un chiffon doux ou une éponge, en ajoutant deux cuillères de bicarbonate de sodium et un litre d'eau tiède. Ensuite, rincez à l'eau et essuyez. Après le nettoyage, ouvrez la porte et laissez l'appareil sécher naturellement avant de mettre l'appareil sous tension.
- Pour les zones difficiles à nettoyer dans le réfrigérateur (telles que les sandwichs étroits, les fissures ou les coins), il est recommandé de les essuyer régulièrement avec un chiffon doux, une brosse douce, etc. et si nécessaire, à l'aide de certains outils auxiliaires (tels que des bâtons minces) pour éviter toute accumulation de contaminants ou de bactéries dans ces zones.
- N'utilisez pas de savon, de détergent, de poudre à récurer, de nettoyant en vaporisateur, etc., car ils peuvent produire des odeurs à l'intérieur du réfrigérateur ou des aliments contaminés.
- Nettoyez le cadre de bouteille, les étagères et les tiroirs avec un chiffon doux imbibé d'eau savonneuse ou de détergent dilué. Séchez avec un chiffon doux ou séchez naturellement.
- Essuyez la surface extérieure du réfrigérateur avec un chiffon doux humecté d'eau savonneuse, de détergent, etc.
- N'utilisez pas de brosses dures, de billes d'acier propres, de brosses métalliques, d'abrasifs (tels que des dentifrices), de solvants organiques (tels que de l'alcool, de l'acétone, de l'huile de banane, etc.), de l'eau bouillante, des éléments acides ou alcalins, qui pourraient endommager la surface et l'intérieur du réfrigérateur. L'eau bouillante et les solvants organiques tels que le benzène peuvent déformer ou endommager les pièces en plastique.
- Ne rincez pas directement avec de l'eau ou d'autres liquides pendant le nettoyage pour éviter les courts-circuits ou d'affecter l'isolement électrique après l'immersion.



⚠ Veuillez débrancher le réfrigérateur pour le dégivrage et le nettoyage.

4.2 Nettoyage du plateau de la porte

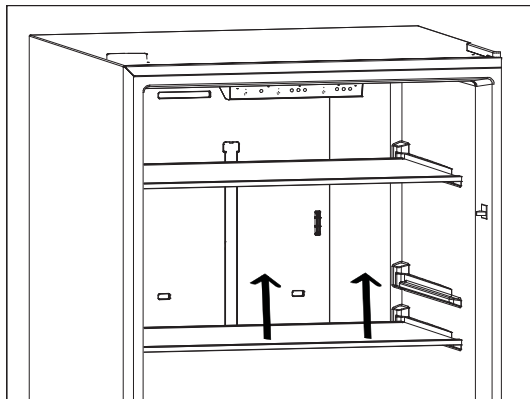
- Selon la flèche de direction de la figure ci-dessous, utilisez les deux mains pour presser le plateau, et poussez-le vers le haut, puis vous pouvez le retirer.
- Après avoir lavé le plateau qui a été retiré, vous pouvez ajuster sa hauteur d'installation en fonction de vos besoins.



(La figure ci-dessus est seulement à titre indicatif. La configuration réelle dépendra du produit physique ou de la déclaration du distributeur)

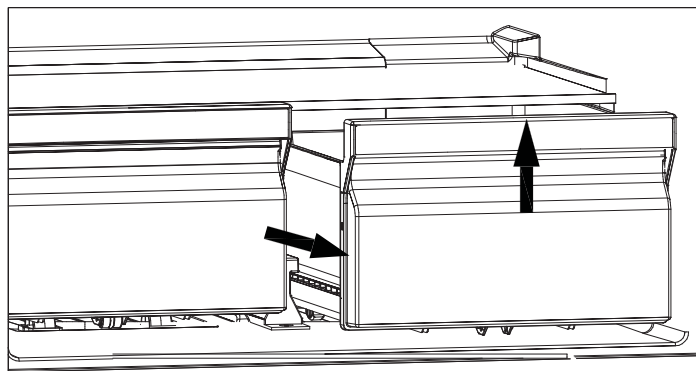
4.3 Nettoyage de l'étagère en verre

Puisque l'étagère et la boîte ont la butée la plus intérieure, soulevez d'abord l'étagère, et puis tirez vers l'extérieur pour ajuster ou nettoyer au besoin,

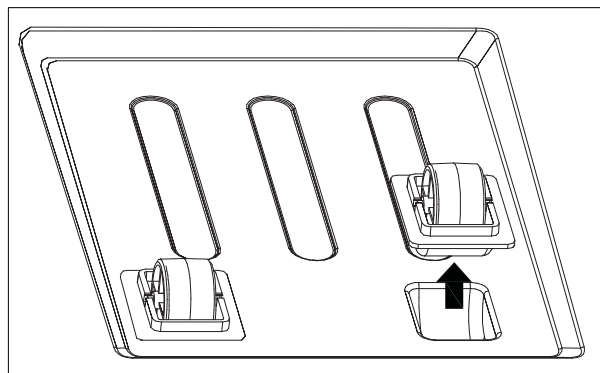


4.4 Nettoyage des rainures des rouleaux du fond de la boîte

1. Retirez d'abord le bac à fruits et légumes. Comme le bac à fruits et légumes est muni d'une butée, il faut le soulever vers le haut avant de pouvoir retirer le bac à fruits et légumes.



2. Le support du rouleau est coincé dans la fente de boîte, appuyez sur la flèche dans le sens de l'image, retirez le support du rouleau et nettoyez la fente de boîte si nécessaire.



4.5 Dégivrage

- Le réfrigérateur est fabriqué selon le principe du refroidissement par air et dispose donc d'une fonction de dégivrage automatique.
Le givre formé en raison d'un changement de saison ou de température peut également être enlevé manuellement en débranchant l'appareil de l'alimentation électrique ou en l'essuyant avec une serviette sèche.

4.6 Hors service

- Coupure d'électricité : En cas de panne de courant, même si en été, les aliments à l'intérieur de l'appareil peuvent être conservés pendant plusieurs heures ; pendant la panne de courant, les temps d'ouverture de la porte sont réduits, et plus aucun aliment frais ne doit être mis dans l'appareil.
- Non utilisation pendant une longue durée : L'appareil doit être débranché puis nettoyé ; les portes sont alors laissées ouvertes pour éviter les odeurs.
- Déplacement : Avant de déplacer le réfrigérateur, retournez tous les objets, fixez les cloisons vitrées, le porte-légumes, les tiroirs de la chambre de congélation, etc. avec du ruban adhésif, et serrez les pieds de nivellement ; fermez les portes et fixez-les avec du ruban adhésif. Pendant le déplacement, l'appareil ne doit pas être placé à l'envers ou à l'horizontale, ni être soumis à des vibrations ; l'inclinaison pendant le déplacement ne doit pas dépasser 45°.



L'appareil doit fonctionner en continu une fois démarré. En général, le fonctionnement de l'appareil ne doit pas être interrompu, faute de quoi sa durée de vie peut être réduite.

5 Dépannage

Vous pouvez essayer de résoudre les problèmes simples suivants par vous-même. S'ils ne peuvent être résolus, veuillez contacter le service après-vente.

Échec de l'opération	Vérifiez si l'appareil est branché à l'alimentation ou si la fiche est bien en contact ; Vérifiez si la tension est trop basse. Vérifiez s'il y a une panne de courant ou si des circuits partiels se sont déclenchés.
Odeur	Les aliments odorants doivent être emballés hermétiquement. Vérifiez s'il y a des aliments pourris. Nettoyez l'intérieur du réfrigérateur.
Fonctionnement à long terme du compresseur	Le fonctionnement prolongé du réfrigérateur est normal en été lorsque la température ambiante est élevée. Il n'est pas recommandé de stocker trop de nourriture dans l'appareil en même temps. Les aliments doivent être refroidis avant d'être mis dans l'appareil. Les portes sont ouvertes trop fréquemment.
La lumière ne s'allume pas	Vérifiez si le réfrigérateur est branché sur l'alimentation électrique et si la lampe d'éclairage est endommagée.
Les portes ne peuvent pas être correctement fermées	La porte du réfrigérateur est bloquée par des emballages alimentaires. Le réfrigérateur est incliné.
Bruits forts	Vérifiez si le sol est de niveau et si le réfrigérateur est placé de manière stable. Vérifiez si les accessoires sont placés aux bons endroits.
Le joint de porte n'est pas étanche	Enlevez les matières étrangères sur le joint de la porte. Chauffez le joint d'étanchéité de la porte, puis refroidissez-le pour le restaurer (ou soufflez-le avec un séchoir électrique ou utilisez une serviette chaude pour le chauffage).
Débordement de l'eau dans le bac d'eau	Il y a trop de nourriture dans la chambre ou la nourriture stockée contient trop d'eau, ce qui entraîne une décongélation importante. Les portes ne sont pas correctement fermées, ce qui entraîne un givrage dû à l'entrée d'air et une augmentation de l'eau due au dégivrage.
Logement de chaleur	La dissipation de la chaleur du condensateur intégré via le boîtier, ce qui est normal. Lorsque le logement devient chaud en raison d'une température ambiante élevée et du stockage d'une trop grande quantité de nourriture, il est recommandé de prévoir une bonne ventilation pour faciliter la dissipation de la chaleur.
Condensation de surface	La condensation sur la surface extérieure et les joints de porte du réfrigérateur est normale lorsque l'humidité ambiante est trop élevée. Il suffit d'essuyer le condensat avec une serviette propre.
Bruit anormal	Bourdonnement : Le compresseur peut produire des bourdonnements pendant son fonctionnement, et ces bourdonnements sont particulièrement forts au démarrage ou à l'arrêt. C'est normal. Grincement : Le réfrigérant qui circule à l'intérieur de l'appareil peut produire un grincement, ce qui est normal.



GARANTIE D'UN AN - VALIDE UNIQUEMENT SI ACCOMPAGNÉE DU REÇU ORIGINAL

GARANTIE : Home Hardware Stores Limited garantit ce produit contre tout vice de matière et de fabrication pendant une période d'un an à compter de la date d'achat initiale. Ce produit est destiné à un usage résidentiel seulement. Il n'est pas conçu pour des applications commerciales ou industrielles. La présente garantie couvre uniquement l'acheteur initial du produit.

Contactez le Service aux Consommateurs OMNImax ou un service agréé OMNImax au 1-866-646 4332.

COUVERTURE : La présente garantie est nulle si le produit a été endommagé à la suite d'un accident, d'une négligence, d'une manutention ou d'une utilisation inappropriée, de dommages subis lors de l'expédition, d'un usage abusif, d'un mauvais usage, d'une réparation ou tentative de réparation non autorisée, de modifications, d'un assemblage/montage ou entretien inadéquat, d'un usage commercial ou de toute autre cause ne découlant pas d'un vice de matière ou de fabrication. La présente garantie ne s'étend pas aux appareils ayant été modifiés ou altérés, ni aux dommages subis par des produits ou pièces d'appareil dont le numéro de série a été enlevé, altéré, détérioré ou rendu illisible. L'appareil doit être retourné au magasin Home Hardware le plus proche à des fins d'inspection et/ou de remplacement.

GARANTIES IMPLICITES : Toute garantie implicite que pourrait posséder l'acheteur se limite à une durée d'un an à compter de la date d'achat. La présente garantie limitée remplace toute autre garantie expresse ou implicite, y compris toute garantie de qualité marchande et de convenance précise, et exclut toute responsabilité à l'égard de tous dommages indirects ou consécutifs, quelle qu'en soit la cause.

APPLICATION DE LA GARANTIE : Pendant la période de garantie d'un an, tout produit jugé défectueux sera remplacé s'il est retourné à un marchand autorisé. Le produit de remplacement sera alors couvert pendant le reste de la période d'un an de la garantie, augmenté d'une période additionnelle d'un mois. Ce remplacement sera effectué sans frais pour l'acheteur.