

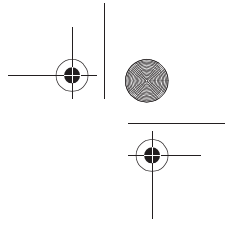
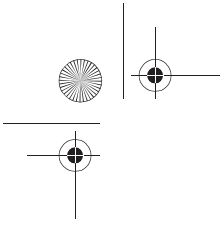
说明书递交文档

设计 DESIGN	黄志胜 2017.12.14	图纸名称 PART NAME				图号/物料编码 PART NO.
校对 CO. BY		Classic 3730-936 UR- BD160CM-DQ 英法文				16131000A29035
标准化 STANDARD						材料 MATERIAL
业务 seller	王胜	图样 标记 REL	版本号 REV. NO	重量 (g)	比例 scale	80g双胶纸
批准 AUTHORIZE	曾磊		0		1:1	美的冰箱事业部 MIDEA REFRIGERATION DIVISION
		共 页 TOTAL SHEETS	第 页 NO. OF SHEETS			

技术要求

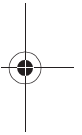
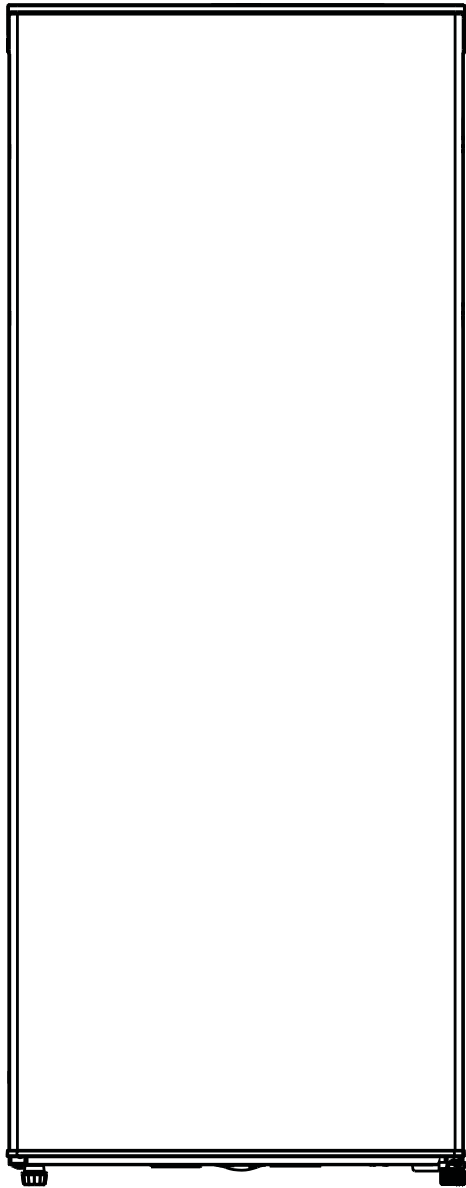
- 1、尺寸：145*210mm, 32P。
- 2、油墨颜色为黑色:黑白印刷，印刷应清晰，不能有印刷缺陷。
- 3、切边应成直角，不能歪斜。
- 4、样板需送设计部门认可方可生产。

标记 MARKER	变更内容	修改日期	签名
1			
2			
3			



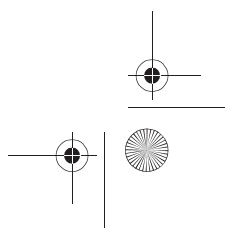
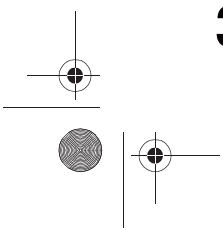
Instruction Manual

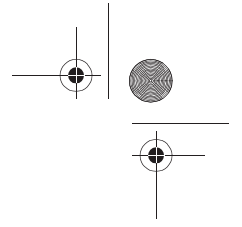
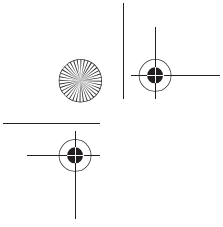
Upright Freezer



MODEL:

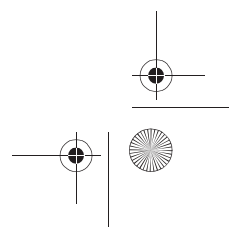
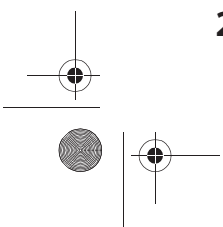
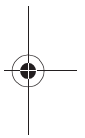
3730-936





Contents

Introduction	3
Important Safety Instructions	3
Grounding requirement	4
Features	5
Package contents	5
Dimensions	5
Interior	6
Setting up your freezer	6
Before using your freezer	6
Finding a suitable location	7
Leveling your freezer	8
Reversing the freezer door	9
Providing the correct power source	12
Using your freezer	12
Cleaning your freezer	13
Defrosting your freezer	13
Storing your freezer	13
Moving your freezer	13
Tips on saving energy	13
Troubleshooting	14





Introduction

Congratulations on your purchase of a high-quality product. Your 3730-936 represents the state of the art in upright freezer design and is designed for reliable and trouble-free performance.

Important Safety Instructions





This symbol indicates that dangerous voltage constituting a risk of electric shock is present within your freezer.



This symbol indicates that there are important operating and maintenance instructions in the literature accompanying your freezer.

WARNING

- 
- 
- 1 Read these instructions.
 - 2 Keep these instructions.
 - 3 Heed all warnings.
 - 4 Follow all instructions.
 - 5 Do not use this appliance near water.
 - 6 Clean only with a damp cloth or sponge using a non-corrosive, neutral detergent. Remove residual detergent with clear water.
 - 7 Do not block any ventilation openings.
 - 8 Install in accordance with the manufacturer's instructions.
 - 9 Do not install near any heat sources, such as radiators, heat registers, stoves, or other apparatus that produce heat.
 - 10 Do not defeat the safety purpose of the polarized or grounding-type plug. A polarized plug has two blades with one wider than the other. A grounding type plug has two blades and a third grounding prong. The wide blade or the third prong are provided for your safety. If the provided plug does not fit into your outlet, consult an electrician for replacement of the obsolete outlet.
 - 11 Protect the power cord from being walked on or pinched, particularly at plugs, convenience receptacles, and the point where it exits from the appliance.
 - 12 Do not attempt to modify or extend the power cord of your freezer.
 - 13 Unplug your freezer during lightning storms or when it will not be used for long periods of time.
 - 14 Make sure that the available AC power matches the voltage requirements of your freezer.
 - 15 Do not handle the plug with wet hands. This could result in an electric shock.
 - 16 Unplug the power cord by holding the plug, never by pulling the cord.
 - 17 Refer all servicing to qualified service personnel. Servicing is required when your freezer has been damaged in any way, such as the power-supply cord or plug is damaged, liquid has been spilled or objects have fallen into your freezer, your freezer has been exposed to rain or moisture, does not operate normally, or has been dropped.
 - 18 To reduce the risk of fire or electric shock, do not expose your freezer to rain, moisture, dripping, or splashing, and no objects filled with liquids should be placed on top of it.
 - 19 Do not use extension cords or ungrounded (two prong) adapters. If the power cord is too short, have a qualified electrician install an outlet near your freezer. Use of an extension cord can negatively affect your freezer's performance.
 - 20 Your freezer is not intended for use by persons (including children) with reduced physical, sensory, or mental capabilities, or lack of experience and knowledge, unless they have been given supervision or instruction concerning use of your freezer by a person responsible for their safety.
 - 21 Children should be supervised to ensure that they do not play with your freezer.
 - 22 If the power cord is damaged, it must be replaced by the manufacturer, its service agent, or similarly qualified person, in order to avoid a hazard.



WARNING

Electric Shock Hazard

Failure to follow these instructions can result in electric shock, fire, or death.

- 1 **WARNING**—Keep ventilation openings, in the appliance enclosure or in the built-in structure, clear of obstruction.
- 2 **WARNING**—Do not touch the interior of your freezer with wet hands. This could result in frostbite.
- 3 **WARNING**—Do not use mechanical devices or other means to accelerate the defrosting process, other than those recommended by the manufacturer.
- 4 **WARNING**—Do not damage the refrigerant circuit.
- 5 **WARNING**—Do not damage the refrigerant tubing when handling, moving, or using your freezer.
- 6 **WARNING**—Never allow children to play with, operate, or crawl inside your freezer.
DANGER—Risk of child entrapment. Before you throw away your old freezer:
 - Take off the doors.
 - Leave the shelves in place so that children may not easily climb inside.
- 7 The appliance has to be unplugged after use and before carrying out user maintenance on the appliance.
- 8 If a component part is damaged, it must be replaced by the manufacturer, its service agent, or similar qualified persons in order to avoid a hazard.
- 9 Follow local regulations regarding disposal of your freezer due to flammable refrigerant and gas. All refrigeration products contain refrigerants, which under the guidelines of federal law must be removed before disposal. It is the consumer's responsibility to comply with federal and local regulations when disposing of this product.
- 10 This appliance is intended to be used in household and similar applications such as staff kitchen areas in shops, offices and other working environments; farm houses and by clients in hotels, motels and other residential type environments; bed and breakfast type environments; catering and similar non-retail applications.
- 11 Do not store explosive substances such as aerosol cans with a flammable propellant in this appliance.
- 12 **WARNING** - Do not use mechanical devices or other means to accelerate the defrosting process, other than those recommended by the manufacturer.
- 13 **WARNING** - Do not use electrical appliances inside the food storage compartments of the appliance, unless they are of the type recommended by the manufacturer.
- 14 **WARNING** - Please abandon the refrigerator according to local regulators for its use of flammable blowing gas and refrigerant.
- 15 **WARNING** - When positioning the appliance, ensure the supply cord is not trapped or damaged.
- 16 **WARNING** - Do not locate multiple portable socket-outlets or portable power supplies at the rear of the appliance.
- 17 **WARNING** - To avoid a hazard due to instability of the appliance, it must be fixed in accordance with the instructions.
- 18 Do not use extension cords or ungrounded (two prong) adapters.
- 19 The refrigerator must be disconnected from the source of electrical supply before attempting the installation of accessory.
- 20 Refrigerant and cyclopentane foaming material used for the refrigerator are flammable. Therefore, when the refrigerator is scrapped, it shall be kept away from any fire source and be recovered by a special recovering company with corresponding qualification other than be disposed by combustion, so as to prevent damage to the environment or any other harm.
- 21 This appliance can be used by children aged from 8 years and above and persons with reduced physical sensory or mental capabilities or lack of experience and knowledge if they have been given supervision or instruction concerning use of the appliance in a safe way and understand the hazards involved. Children shall not play with the appliance. Cleaning and user maintenance shall not be made by children without supervision.



- 22 **WARNING** - risk of fire / flammable materials

Grounding requirement

Your freezer must be grounded. Your freezer is equipped with a cord having a grounding wire with a grounding plug. The plug must be inserted into an outlet that is correctly installed and grounded.

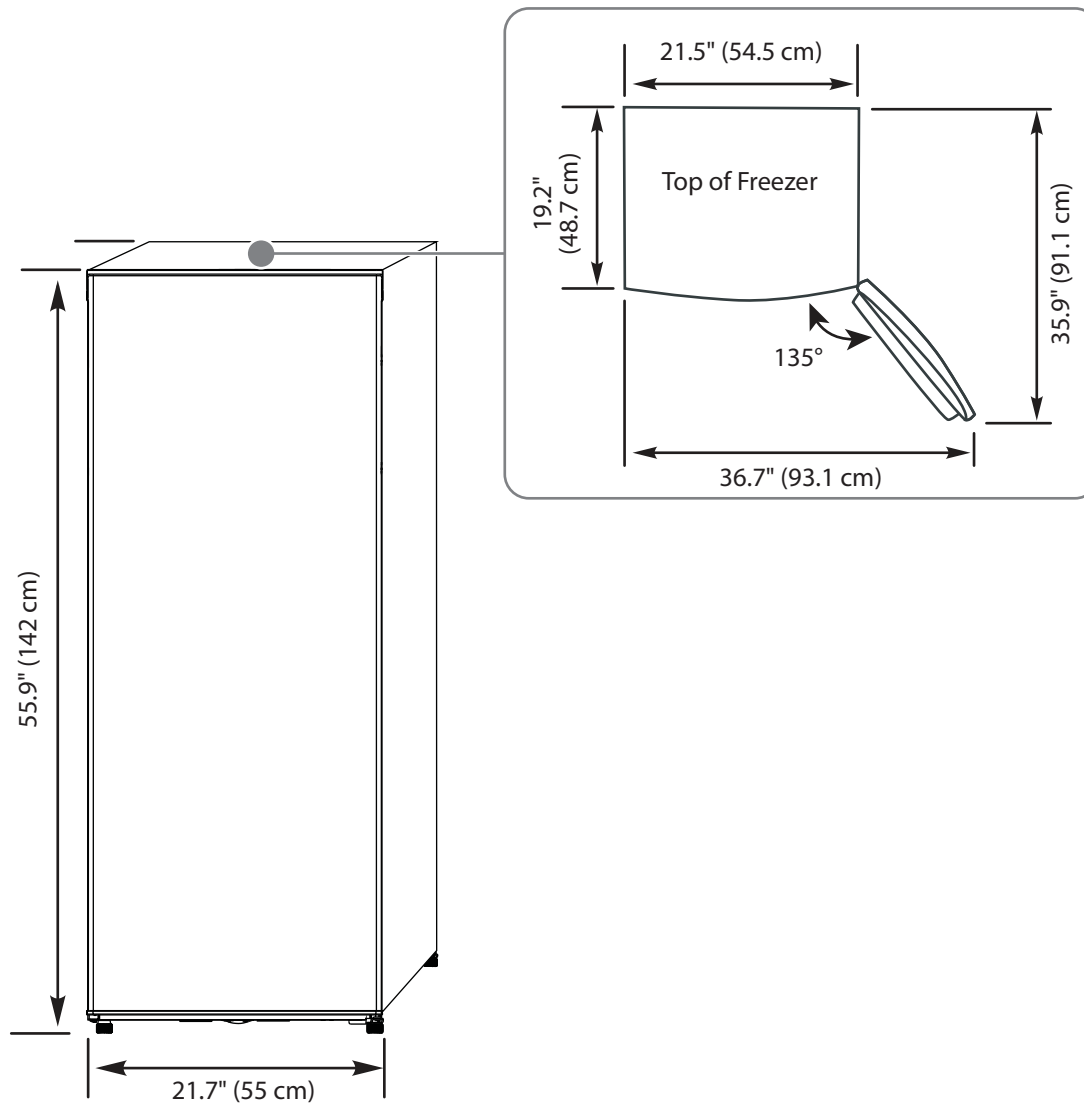
Incorrect use of the grounding plug can result in a risk of electric shock. Consult a qualified electrician or service person if the grounding instructions are not completely understood, or if doubt exists as to whether your freezer is correctly grounded.

Features

Package contents

- 5.3 cubic foot upright freezer
- *User Guide*

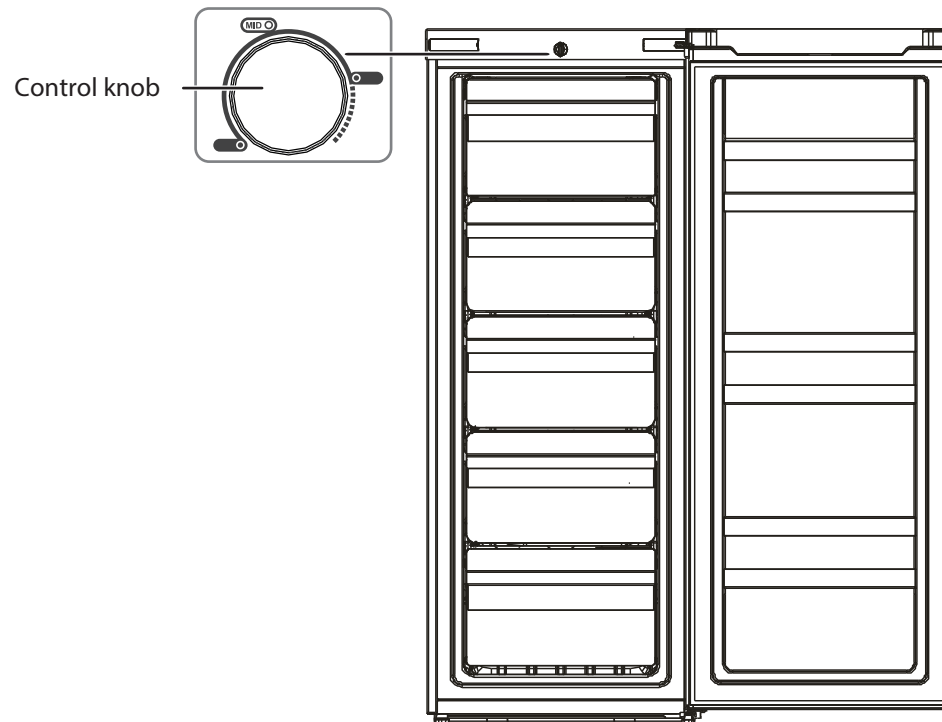
Dimensions



Interior

Note

The illustrations shown in this user guide are only for reference. The actual product may differ slightly.



Notes

- The four upper shelves measure 14.9 × 12.6" (37.8 × 32.1 cm) (W × D)
- The bottom shelf measures 15.2 × 6.6" (38.5 × 16.8 cm) (W × D)
- You can remove the bottom shelf.

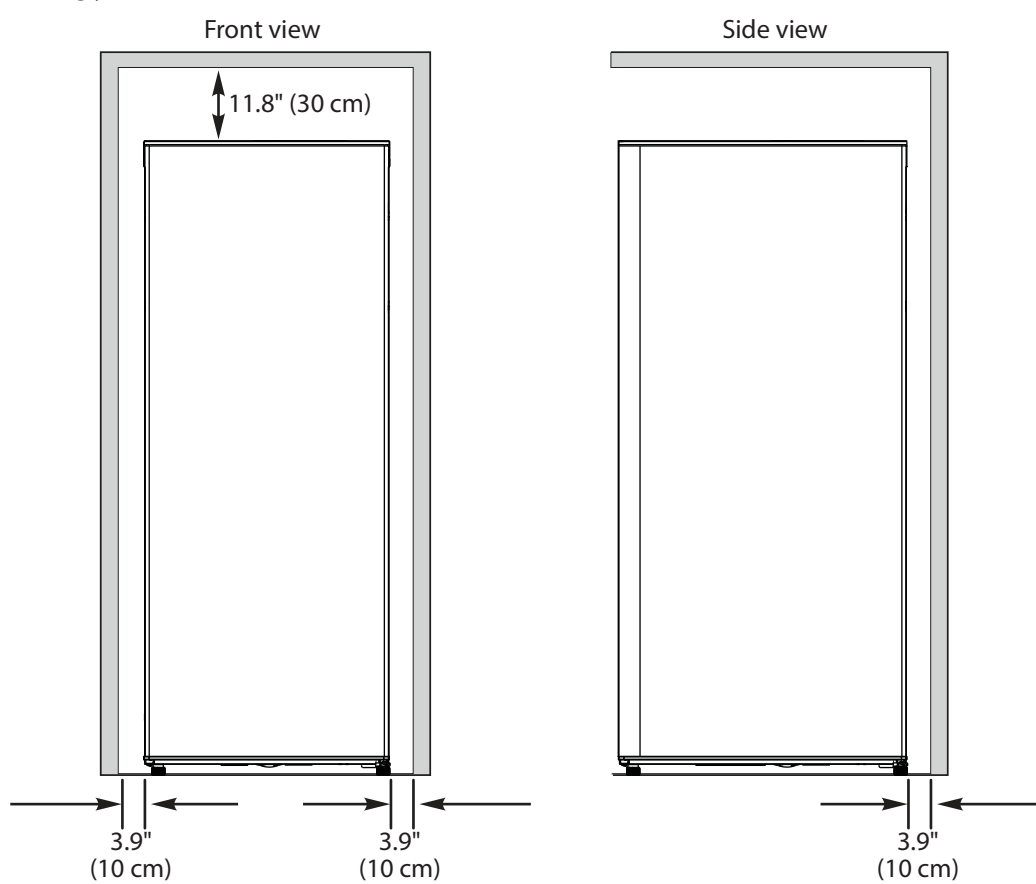
Setting up your freezer

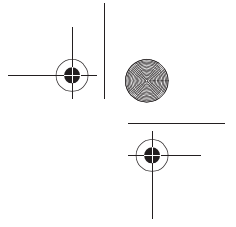
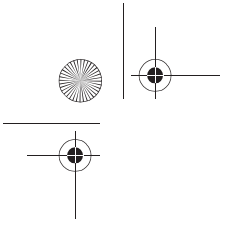
Before using your freezer

- Remove the exterior and interior packing including the bottom cushions, foam pads, and tape inside your freezer. Remove the plastic film from the door and sides.
- Let your freezer stand upright for approximately 30 minutes before connecting it to power. This reduces the possibility of a malfunction in the cooling system from incorrect handling during transportation.
- Before putting any fresh or frozen foods, let your freezer run for two to three hours. If the ambient temperature is high, for example in summer, wait for four or more hours.
- Wash the inside with a damp, warm cloth and a baking soda solution (two tablespoons in a quart of water), then wipe dry with a dry cloth. Do this periodically to keep your freezer looking new.
- For correct operation, you should level your freezer using the leveling feet. If you do not level your freezer, the door may not close or seal correctly, causing cooling, frost, and moisture problems. Turn the leveling feet clockwise to raise or counterclockwise to lower a side. The leveling feet are easier to adjust if you have someone push against the top of your freezer to take some weight off.
- When moving your freezer, do not tilt it beyond 45° from upright.

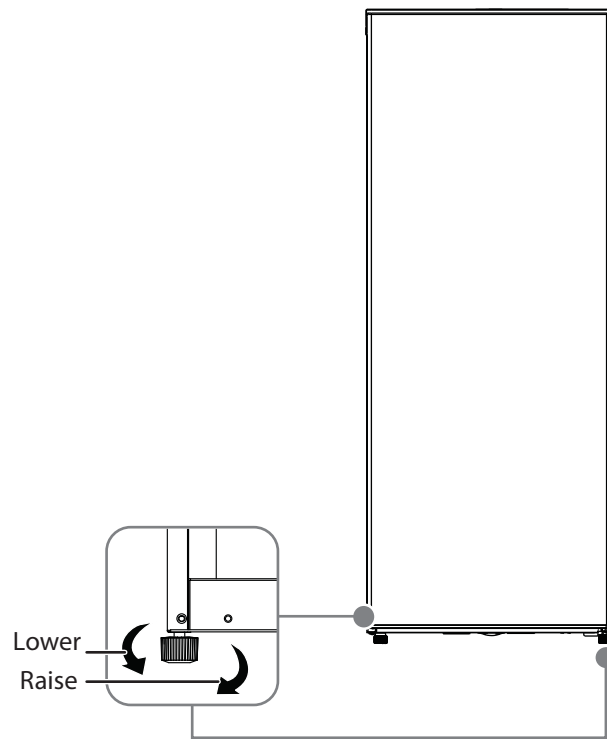
Finding a suitable location

- Place your freezer on a floor that is strong enough to support your freezer when it is fully loaded.
- Do not install your freezer on carpeting or a rug.
- Your freezer is designed to be free standing and should not be recessed or built-in.
- If you use your freezer in a garage, make sure that the ambient temperature is between 5°F and 190°F (-15°C and 43°C).
- Allow 3.9 inches (20 cm) of space between the sides of your freezer and the surrounding walls, 3.9 inches (10 cm) between the back of your freezer and the wall, and 11.8 inches (30 cm) between the top of your freezer and the ceiling. This allows for correct air ventilation. Adjust the feet to keep your freezer level.
- If you locate your freezer next to a fixed wall, allow sufficient space on the hinge side for the door to swing open.
- Position your freezer away from direct sunlight and sources of heat, such as a stove, heater, or radiator. Direct sunlight may affect the acrylic coating and heat sources may increase electrical consumption. Extremely cold temperatures may also prevent your freezer from performing correctly.
- Avoid locating your freezer in moist areas.





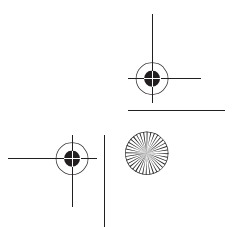
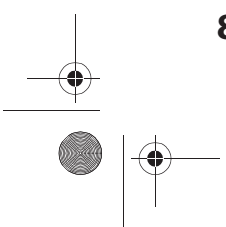
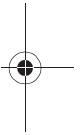
Leveling your freezer



- Leveling your freezer is important. If you do not level your freezer during installation, the doors may not close or seal correctly which can cause cooling, frost, or moisture problems.
- To level your freezer, rotate the leveling feet clockwise (to raise) your freezer or counter-clockwise (to lower).

Note

To make it easier to adjust the feet, have someone push against the top of your freezer to tilt it slightly.

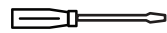


Reversing the freezer door

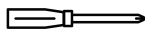
Warnings

- Unplug your freezer before you reverse the door. Failure to unplug your freezer may result in serious injury or death from electrical shock.
- To avoid personal injury and property damage, get another person to help you reverse the door.

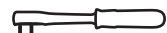
You will need the following tools to reverse the freezer door:



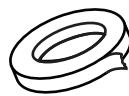
Flat-blade
screwdriver



Phillips
screwdriver



5/16" socket
wrench

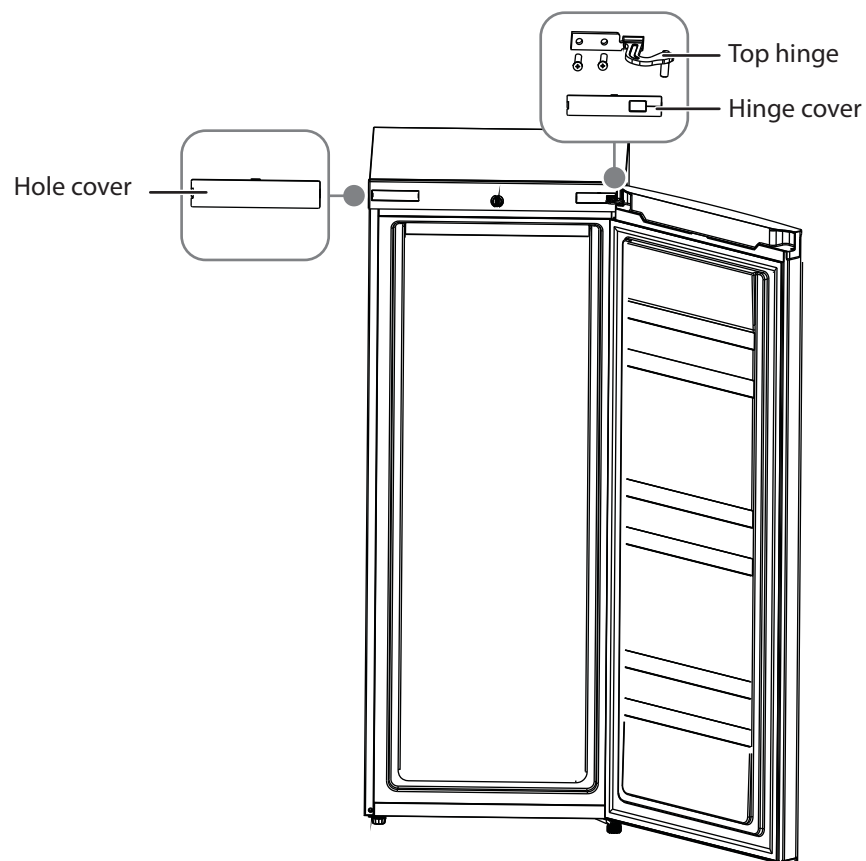


Tape



Putty knife

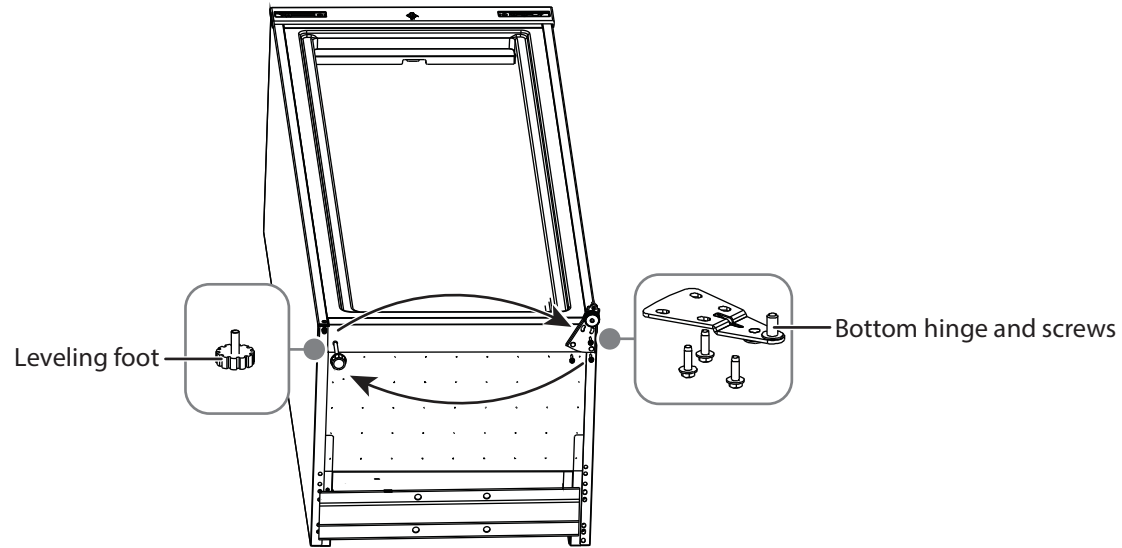
- 1 Unplug your freezer.
- 2 Remove the hinge cover, then remove the top hinge screws and hinge from your freezer. Remove the pin from the top edge of the door, then remove the hole cover from the other side of the freezer.



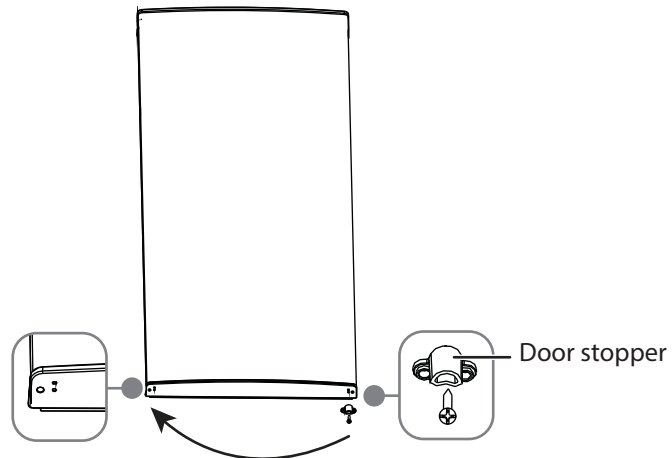
- 3 While one person tilts your freezer backwards, remove the bottom hinge screws and hinge and the two leveling feet. Install the bottom hinge and leveling feet on the other side.

Tip

You can lay your freezer flat on the floor to make removing and installing the bottom hinge easier. If you do lay it flat, when you return it to the upright position, wait two hours before you plug it in.

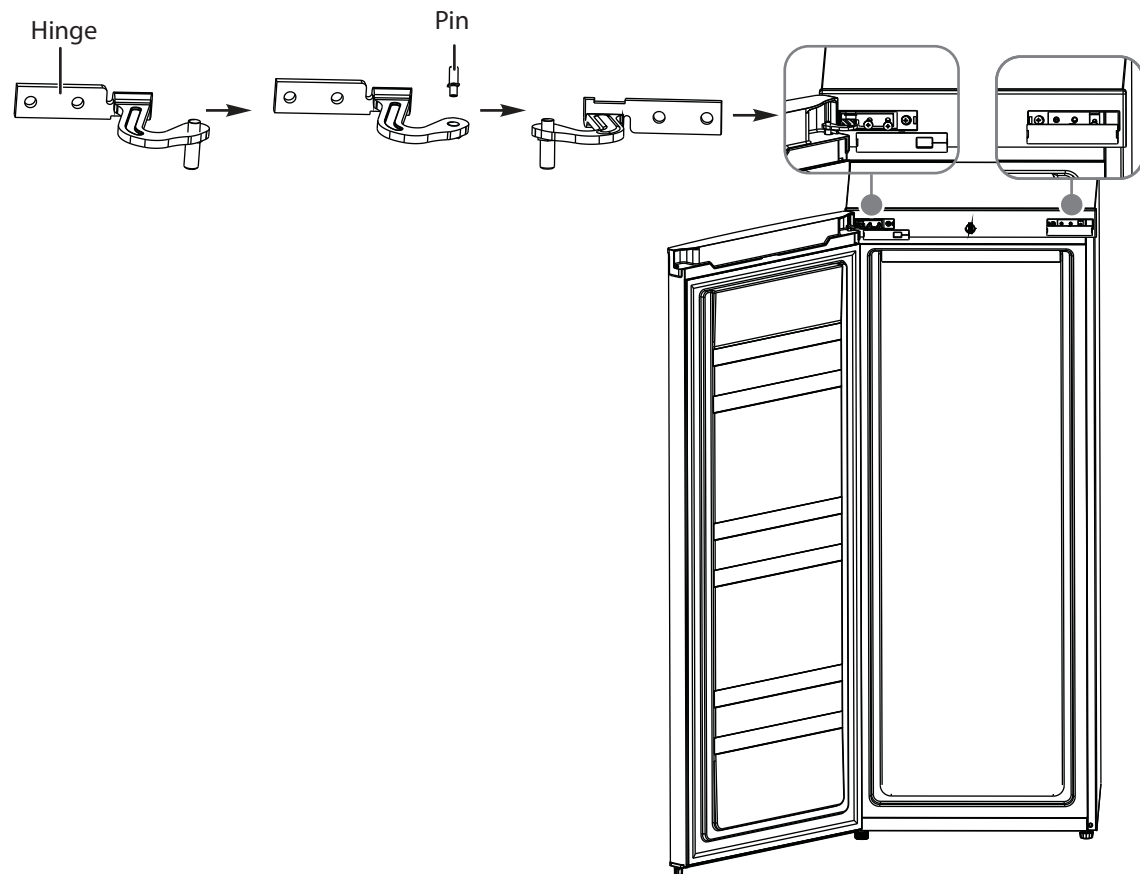


- 4 Remove the door stopper, then install it on the other side.



- 5 Align the door bottom so that the pin on the hinge slides into the hole in the door bottom.

- 6 Align the hinge with the screw holes on the door and the hole in the top edge of the door. Slide the pin through the hole in the hinge and into the hole on the top edge of the door. Use the screws to attach the hinge to your freezer. Place the hole cover over the hinge opening on the other side of the door.



Providing the correct power source

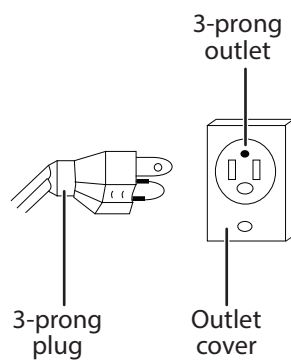
Check your local power source. Your freezer requires a 115V, 60Hz power supply.

Warnings

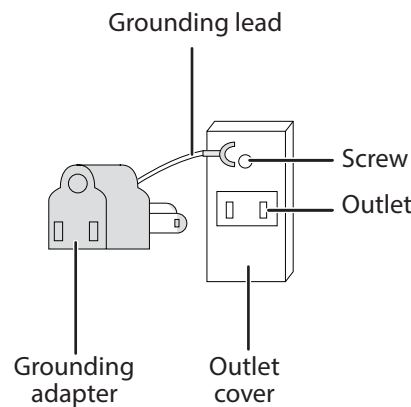
Make sure that:

- The power outlet accepts a 3-prong grounding plug. The third prong on the power cord plug grounds your freezer to minimize the possibility of electric shock. Do not modify the power plug.
- You do NOT plug anything else into the same power outlet as your freezer. You may overload the circuit which can cause a fire.
- You do NOT use an extension cord. If your freezer is too far from the power outlet, move your freezer or have an electrician install a plug closer to your freezer.
- The power outlet cannot be turned off with a switch or pull string.

Using a 3-prong plug and outlet



Using a grounding adapter



Using your freezer

The storage life of frozen foods varies. You should use the food before the recommended storage time expires. Place frozen food into your freezer as quickly as possible after purchase. If there are instructions on the packaging, carefully follow these instructions regarding storage times. Prepackaged, commercially-frozen food should be stored in accordance with the frozen food manufacturer's instructions for a three-star frozen food storage compartment or home freezer. Shelves are provided for the organization of odd-shaped items.

Note

If the power fails, food in your freezer will stay frozen for several hours, even in summer. During a power failure, do not open the door more than you have to and do not add new food.

- 1 Plug in your freezer. Wait for 30 minutes, then open the freezer door to determine if your freezer is working correctly. When your freezer is plugged into a power outlet, it runs continuously.
- 2 Wait two to four hours before putting food into your freezer. If the room temperature is high, wait four or more hours.
- 3 Turn the Control knob to adjust the temperature. Your freezer has three marked temperature settings:
 - MIN: 10.4°F ~ 5°F (-12°C ~ -15°C)
 - MID: -0.4°F ~ -4°F (-18°C ~ -20°C)
 - MAX: -7.6°F ~ -11.2°F (-22°C ~ -24°C)You can set the temperature to one of the setting positions or to a setting position between the marked settings.

Notes

- You may need to adjust the temperature based on the ambient room temperature. If the room temperature is high, (for example, in summer) lower the freezer temperature. If the room temperature is low, (for example, in winter) raise the freezer temperature.
- You may need to adjust the temperature based on how much food is in your freezer.
- If your freezer is unplugged or loses power, you must wait three to five minutes before restarting it. Your freezer will not start if you attempt to restart it sooner.
- If the power fails, unplug your freezer, then wait until the power is back to normal before you plug it in.
- Large amounts of food lower the cooling efficiency of your freezer.
- Do not put bottled food or drinks in your freezer.



Cleaning your freezer

Your freezer is designed for year-round use with only minimal cleaning and maintenance. We recommend that you do the following every time you clean it to keep your freezer running odor-free and efficiently:

Caution

To prevent damage to the finish, do not use gasoline, benzine, thinner, or other solvents, and do not use abrasive cleaners.

- 1 Unplug your freezer from the power outlet.
- 2 Remove all food.
- 3 Wash the shelves with a mild detergent solution.
- 4 Wash the inside and outside with a cloth dampened with a non-corrosive, neutral detergent. If you use a detergent, remove the residual detergent with a cloth dampened with clear water. Do not use excessive detergent or water. Too much liquid may damage the electrical insulation.
- 5 Dry the inside and outside with a soft cloth or towel.
- 6 Make sure that you keep the door gasket (seal) clean so that the door seals tightly. This helps your freezer run efficiently.

Defrosting your freezer

Tip

To avoid standing water when you defrost, place some towels on the floor in front of your freezer.

- 1 Unplug your freezer.
- 2 Remove all food from your freezer, and place the food into containers that will prevent it from melting.
- 3 To speed the defrosting, you can:
 - Place a fan blowing on its highest speed right at the freezer. The ice will melt faster. After the ice melts, use towels to wipe up excess water, then use the fan to speed drying.
 - Place containers with hot water inside the freezer.
 - Use a plastic or wooden ice shovel (like a spatula) to remove thick layers of ice or frost. Do not use a sharp utensil (like a knife) because you may damage your freezer.
- 4 Use a cloth dampened with water or a mild cleaning solution to clean the inside of your freezer.
- 5 When you finish defrosting, wipe the inside with a dry towel.
- 6 Close your freezer, plug it into the power outlet, then put the food back into your freezer.

Storing your freezer

- 1 Unplug your freezer from the power outlet.
- 2 Remove all food.
- 3 Clean your freezer.
- 4 Take off the doors, and leave the shelves in place so that children may not easily climb inside.

Caution

Use extreme caution with children. Make sure that children cannot access your freezer.

Moving your freezer

- 1 Unplug your freezer from the power outlet.
- 2 Remove all food.
- 3 Securely tape down all loose items inside your freezer.
- 4 Tape the door shut.
- 5 Make sure that your freezer does not tilt more than 45° from the upright position during transportation.

Tips on saving energy

- Locate your freezer in the coolest area of the room, away from heat producing appliances or heating ducts and out of direct sunlight.
- Let hot foods cool to room temperature before placing them in your freezer. Overloading your freezer forces the compressor to run longer. Foods that freeze too slowly may lose quality or spoil.
- Wrap foods correctly and wipe containers dry before placing them in your freezer. This cuts down on frost build-up inside your freezer.

- Do not line the freezer storage shelves with aluminum foil, wax paper, or paper toweling. Liners interfere with cold air circulation and make your freezer less efficient.
- Organize and label food to reduce door openings and extended searches. Remove as many items as needed at one time, and close the door as soon as possible.

Troubleshooting

PROBLEM	SOLUTION
My freezer does not work.	<ul style="list-style-type: none"> • Make sure that your freezer is securely plugged into a working outlet. • Make sure that your power source has the correct voltage. Your freezer's voltage rate is on a label on the back of your freezer. • Check the house fuse or circuit breaker box and replace the fuse or reset the circuit breaker.
The freezer has a bad odor.	<ul style="list-style-type: none"> • Make sure that all food with a strong odor (like onions) is wrapped or stored in airtight packaging. • Certain containers and wrapping materials (such as paper, foil, or plastic) can cause odors. If you think this might be the case, try using different containers or a different brand of wrapping material. • Check for spoiled food and remove it. • Clean the inside of your freezer. See Cleaning your freezer on page 13.
The freezer door does not close completely.	<ul style="list-style-type: none"> • Make sure that no food packages are in the way. • Make sure that the door gasket (seal) is clean. See Cleaning your freezer on page 13. • If the door gasket does not seal, try heating then cooling the seal. You can use an electric hair dryer to heat the seal. • Make sure that your freezer is level. See Leveling your freezer on page 8.
The freezer door is hard to open.	<ul style="list-style-type: none"> • When you open the freezer door, warm air rushes inside. When you close the door, the warm air rushes to the condenser which causes a vacuum. This causes the door to be hard to open for about 10 to 15 seconds after closing. • If the door is hard to open at other times, try rubbing paraffin wax or petroleum jelly along the edges of the entire gasket. Paraffin wax is used for canning and is safe for use around food.
The compressor runs for a long time or turns on and off frequently.	<p>The compressor runs longer if:</p> <ul style="list-style-type: none"> • The room temperature is high. • You just added a large amount of food. Wait for the food to freeze, then check again. • You open and close the door frequently. • The door gasket is dirty. Clean the gasket. See Cleaning your freezer on page 13. • Your freezer has been disconnected for a period of time. Wait for your freezer to cool (about four hours) before adding food. • You have the temperature set too low. Set the Control knob to a higher temperature.
The light inside the freezer does not turn on.	<ul style="list-style-type: none"> • Make sure that your freezer is plugged into a working outlet. • Check to see if the light is damaged. If the light is damaged, have it replaced by a qualified service technician.
The freezer makes unusual noises or vibrations.	<ul style="list-style-type: none"> • Metal parts expand and contract as the temperature changes. This is normal. • When the refrigerant is circulating throughout the system, your freezer may make noises. This is normal. • Remove items from the top of your freezer. • Make sure that your freezer is level. See Leveling your freezer on page 8. • If your freezer is touching walls, move it away from the walls. • Make sure that the shelves are installed correctly.
The water pan overflows.	<ul style="list-style-type: none"> • You have too much food in your freezer or stored food contains too much water which results in heavy defrosting. • The doors are not closed correctly, resulting in increased defrosting.

PROBLEM	SOLUTION
The outside of the freezer is hot.	Heat dissipation from the condenser may make the outside feel hot. This is normal and happens if: <ul style="list-style-type: none"> • The room temperature is high. • You have too much food in your freezer. • You open and close the door excessively.
Water condenses on the outside of the freezer.	<ul style="list-style-type: none"> • Condensation on the exterior surface and door seal is normal when the room humidity is high. • When you open the door, warm, moist outside air meets the cold dry air inside your freezer. These are normal. Just wipe off the condensation with a clean towel.



ONE YEAR WARRANTY - VALID ONLY WITH ORIGINAL PURCHASE RECEIPT

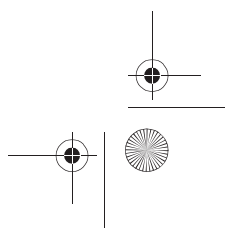
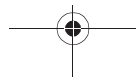
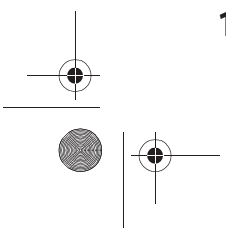
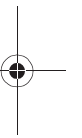
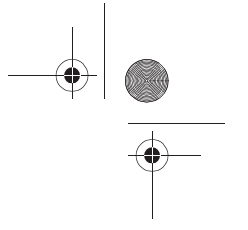
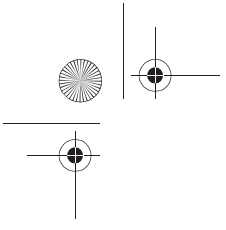
WARRANTY: Home Hardware Stores Limited warrants this product against defects in any parts or workmanship for a period of 1 year from the original purchase date. This product is for residential use only. It is not intended to be used in commercial or industrial settings. This product warranty covers only the original consumer purchaser of the product.

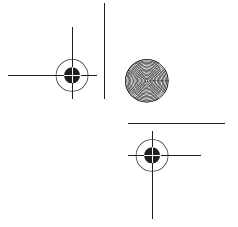
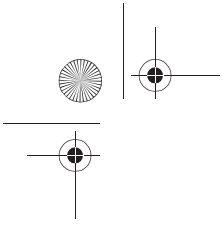
Contact OMNImax Consumer Services or an authorized OMNImax servicer at 1-866-646 4332.

WARRANTY COVERAGE: This warranty is void if the product has been damaged by accident, neglect, improper handling or operation, shipping damage, abuse, misuse, unauthorized repairs made or attempted, alterations, improper assembly/installation or maintenance, commercial use or other causes not arising out of defect in materials or workmanship. This warranty does not extend to any units which have been altered or modified or to damage to products or parts there of which have had the serial number removed, altered, defaced or rendered illegible. Return to the closest Home Hardware store for inspection and/or replacement.

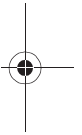
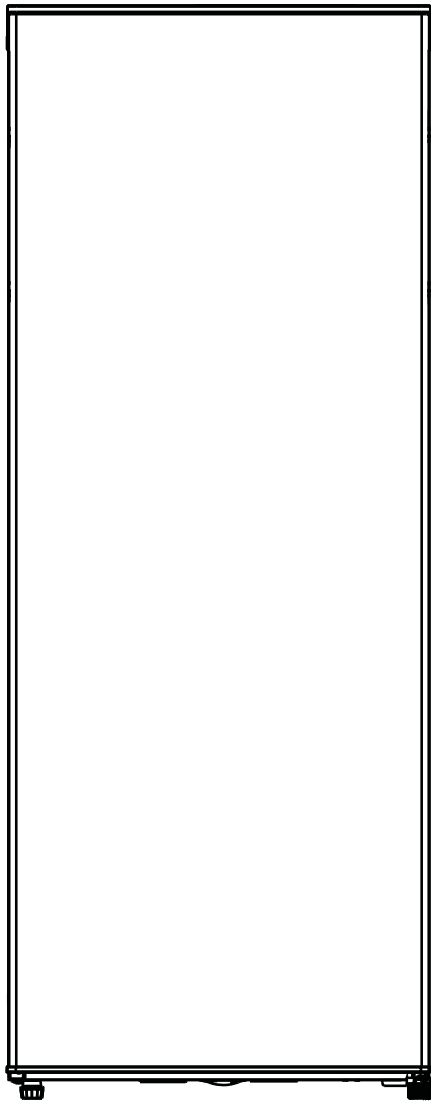
IMPLIED WARRANTIES: Any implied warranties which the purchaser may have are limited in duration to 1 year from the date of purchase. This limited warranty is in lieu of all other warranties expressed or implied, including warranties of merchantability and fitness for a particular purpose and excludes all liability for incidental or consequential damages for any cause whatsoever.

WARRANTY PERFORMANCE: During the above 1 year warranty period, a product with a defect will be replaced when the product is returned to an authorized dealer. The replacement product will be in warranty for the balance of the 1 year warranty period and an additional one month period. No charge will be made for such replacement.



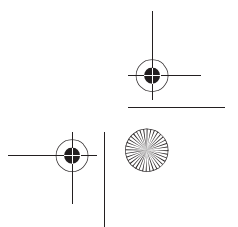
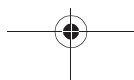
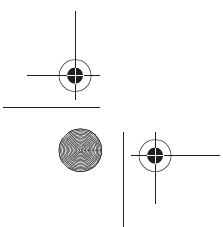


Manuel D'Utilisation
Congélateur vertical



MODELE:

3730-936



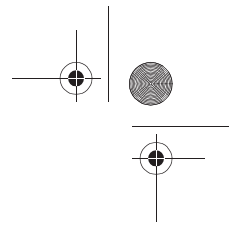
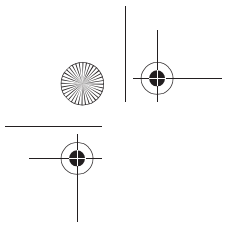
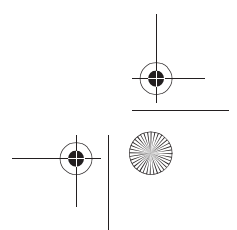
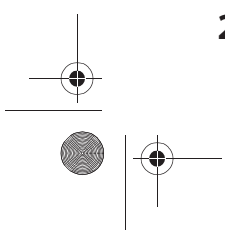
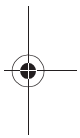


Table des matières

Introduction	3
Instructions de sécurité importantes.....	3
Exigences de la mise à la terre.....	4
Caractéristiques	5
Contenu de l'emballage.....	5
Dimensions.....	5
Intérieur.....	6
Mise en service du congélateur.....	6
Avant l'utilisation du congélateur	6
Trouver un emplacement approprié.....	7
Mise de niveau du congélateur.....	8
Inversion de la porte du congélateur	9
Accès à une source d'alimentation appropriée	11
Utilisation du congélateur.....	12
Nettoyage du congélateur	12
Dégivrage du congélateur	13
Entreposage du congélateur	13
Déplacement du congélateur	13
Conseils pour économiser de l'énergie	13
Problèmes et solutions.....	13



Introduction

Félicitations d'avoir acheté ce produit de haute qualité. Le modèle 3730-936 représente la dernière avancée technologique dans la conception de congélateur vertical et a été conçu pour des performances et une fiabilité exceptionnelles.

Instructions de sécurité importantes



Ce symbole indique qu'une tension dangereuse, constituant un risque de choc électrique, est présente dans ce congélateur.



Ce symbole indique que d'importantes instructions concernant le fonctionnement et l'entretien figurent dans la documentation qui accompagne cet appareil.

AVERTISSEMENT

- 1 Lire ces instructions.
- 2 Conserver ces instructions.
- 3 Respecter tous les avertissements.
- 4 Observer toutes les instructions.
- 5 Ne pas utiliser cet électroménager près de l'eau.
- 6 Nettoyer uniquement avec un chiffon ou une éponge humide à l'aide d'un détergent non corrosif, neutre. Retirer les résidus de détergent avec de l'eau.
- 7 Ne pas obstruer les ouvertures d'aération.
- 8 Installer le produit conformément aux instructions du fabricant.
- 9 Installer l'appareil à l'écart de sources de chaleur, telles que radiateurs, bouches de chaleur, fours ou autres appareils qui produisent de la chaleur.
- 10 Ne pas chercher à modifier le dispositif de sécurité de la prise polarisée ou de type mise à la terre. Une prise polarisée comporte deux plots, un plus large que l'autre. Une prise de type mise à la terre est composée de deux plots et d'un troisième de mise à la terre. La lame large ou le troisième plot ont été prévus pour la sécurité de l'utilisateur. Si la prise fournie ne rentre pas dans la prise secteur, faire appel à un électricien pour qu'il remplace cette dernière qui est obsolète.
- 11 Protéger le cordon d'alimentation afin d'éviter qu'on ne marche dessus ou qu'il ne soit pincé, en particulier au niveau des prises secteur, des plaques multiprises et à l'endroit où il est raccordé à l'appareil.
- 12 Ne pas essayer de modifier ou de prolonger le cordon d'alimentation de cet appareil.
- 13 Débrancher cet électroménager pendant les orages ou quand il n'est pas utilisé pendant une période prolongée.
- 14 Vérifier que l'alimentation c.a. disponible correspond aux exigences de tension de ce congélateur.
- 15 Ne pas manipuler la prise avec les mains humides. Ce qui présenterait des risques de chocs électriques.
- 16 Débrancher le cordon d'alimentation en tenant la prise, jamais en le tirant.
- 17 Toutes les réparations doivent être réalisées par un personnel qualifié. Faire réparer l'appareil s'il a été endommagé, qu'il s'agisse du cordon d'alimentation ou de la prise qui seraient détériorés, d'infiltration de liquide dans l'appareil ou de chute d'objets, d'une exposition à la pluie ou à l'eau, d'un fonctionnement anormal ou d'une chute.
- 18 Afin de réduire le risque d'incendie et de choc électrique, ne pas exposer ce congélateur à la pluie, à l'humidité, aux éclaboussures ou à des gouttes d'eau et ne pas placer de récipients remplis de liquide sur l'appareil.
- 19 Ne pas utiliser de rallonge électrique ou d'adaptateurs non mis à la terre (deux plots). Si le cordon d'alimentation est trop court, contacter un technicien qualifié pour installer une prise à côté du congélateur. L'utilisation d'une rallonge peut avoir des effets négatifs sur le fonctionnement du congélateur.
- 20 Cet appareil n'est pas conçu pour être utilisé par des personnes (y compris des enfants) à capacités physiques, sensorielles ou intellectuelles réduites ou sans expérience et connaissances, à moins qu'elles ne soient sous surveillance ou bien qu'elles aient été informées quant à l'utilisation de l'appareil de manière sûre, par une personne responsable de leur sécurité.
- 21 Les enfants doivent être surveillés pour s'assurer qu'ils ne jouent pas avec l'appareil.
- 22 Si le cordon d'alimentation a été endommagé, il doit être remplacé par le fabricant, son service d'assistance technique ou d'autres personnes disposant des qualifications requises, afin d'éviter tout danger.



AVERTISSEMENT

Risque de choc électrique

L'inobservation de ces instructions peut être source de chocs électriques, d'incendies ou de blessures mortelles.

- 1 **AVERTISSEMENT** : Gardez les ouvertures de ventilation, dans l'enceinte de l'appareil ou dans la structure intégrée, sans d'obstruction.
- 2 **AVERTISSEMENT** : Ne pas toucher l'intérieur du congélateur avec des mains humides. Une engelure pourrait s'ensuivre.
- 3 **AVERTISSEMENT** : N'utilisez pas de dispositifs mécaniques ou des autres moyens d'accélérer la décongélation, autres que ceux recommandés par le fabricant.
- 4 **AVERTISSEMENT** : Ne pas endommager le circuit du réfrigérant.
- 5 **AVERTISSEMENT** : Ne pas endommager le tuyau du réfrigérant lors de la manipulation, du déplacement ou de l'utilisation du congélateur.
- 6 **AVERTISSEMENT** - Ne jamais laisser les enfants jouer avec le congélateur, le faire fonctionner ni y grimper.
DANGER - Un enfant risque d'être piégé à l'intérieur. Avant de mettre au rebut l'ancien congélateur :
 - Enlever les portes
 - Laisser les étagères en place pour éviter que les enfants ne puissent grimper à l'intérieur facilement
- 7 L'appareil doit être débranché après usage et avant de procéder à l'entretien par l'utilisateur sur l'appareil.
- 8 Si une pièce ou un élément a été endommagé, il doit être remplacé par le fabricant, son service d'assistance technique ou d'autres personnes disposant des qualifications requises, afin d'éviter tout danger.
- 9 Observer la réglementation locale concernant la mise au rebut du congélateur en raison du gaz et du réfrigérant inflammables. Tous les appareils de réfrigération contiennent des réfrigérants qui doivent être, sous les directives de la loi fédérale, enlevés avant la mise au rebut. C'est la responsabilité du consommateur de se conformer à la réglementation fédérale et locale lors de la mise au rebut de cet électroménager.
- 10 Cet appareil est destiné à être utilisé dans des applications domestiques et similaires telles que les zones de cuisine du personnel dans les magasins, les bureaux et autres environnements de travail; les maisons de ferme et par les clients dans les hôtels, motels et autres environnements de type résidentiel; les environnements de type chambre d'hôtes; restauration et applications similaires non détaillants.
- 11 Ne stockez pas de substances explosives telles que les contenants d'aérosol avec gaz propulseur inflammable dans cet appareil.
- 12 **AVERTISSEMENT** : Ne pas utiliser d'appareils mécaniques ou d'autres méthodes pour accélérer le processus de décongélation, hormis les recommandations du fabricant.
- 13 **AVERTISSEMENT** : Ne pas utiliser d'appareils électriques dans les compartiments de stockage des aliments de l'appareil, à moins qu'ils ne soient du type recommandé par le fabricant.
- 14 **AVERTISSEMENT** : Veuillez abandonner le réfrigérateur conformément aux réglementations locales pour l'utilisation de gaz inflammable et de réfrigérant.
- 15 **AVERTISSEMENT** : Lors du positionnement de l'appareil, assurez-vous que le câble d'alimentation n'est pas coincé ou endommagé.
- 16 **AVERTISSEMENT** : Ne placez pas plusieurs douilles portatives ou dispositifs d'alimentation d'énergie portatifs à l'arrière de l'appareil.
- 17 **AVERTISSEMENT** : Afin d'éviter tout danger dû à l'instabilité de l'équipement, il est nécessaire de le fixer conformément aux instructions.
- 18 Ne pas utiliser de rallonges ou d'adaptateurs sans mise à la terre (deux broches).
- 19 Le réfrigérateur doit être déconnecté de la source d'alimentation électrique avant de tenter l'installation de l'accessoire.
- 20 Les matériaux moussant de réfrigérant et de cyclopentane utilisé pour le réfrigérateur est inflammable. Par conséquent, lorsque le réfrigérateur est raclé, il doit être gardé à l'écart de toute source de feu et récupéré par une société de récupération spéciale avec une qualification correspondante autre que la combustion, de manière à éviter tout dommage à l'environnement ou autre.
- 21 Cet appareil peut être utilisé par les enfants âgés de 8 ans et plus et les personnes ayant des capacités sensorielles ou mentales physiques réduites ou qu'ils manquent d'expérience et de connaissance s'ils ont été supervisés ou instruits sur l'utilisation de l'appareil en toute sécurité et comprennent les dangers impliqués. Les enfants ne doivent pas jouer avec l'appareil. Le nettoyage et la maintenance par l'utilisateur ne doivent pas être faits par des enfants sans surveillance.



- 22 **AVERTISSEMENT** - Risque d'incendie / de matériaux inflammables

Exigences de la mise à la terre

Cet appareil doit être mis à la terre. Ce congélateur est muni d'un cordon électrique comportant un fil et une prise de mise à la terre. La prise doit être insérée dans une prise secteur qui est correctement installée et mise à la terre.

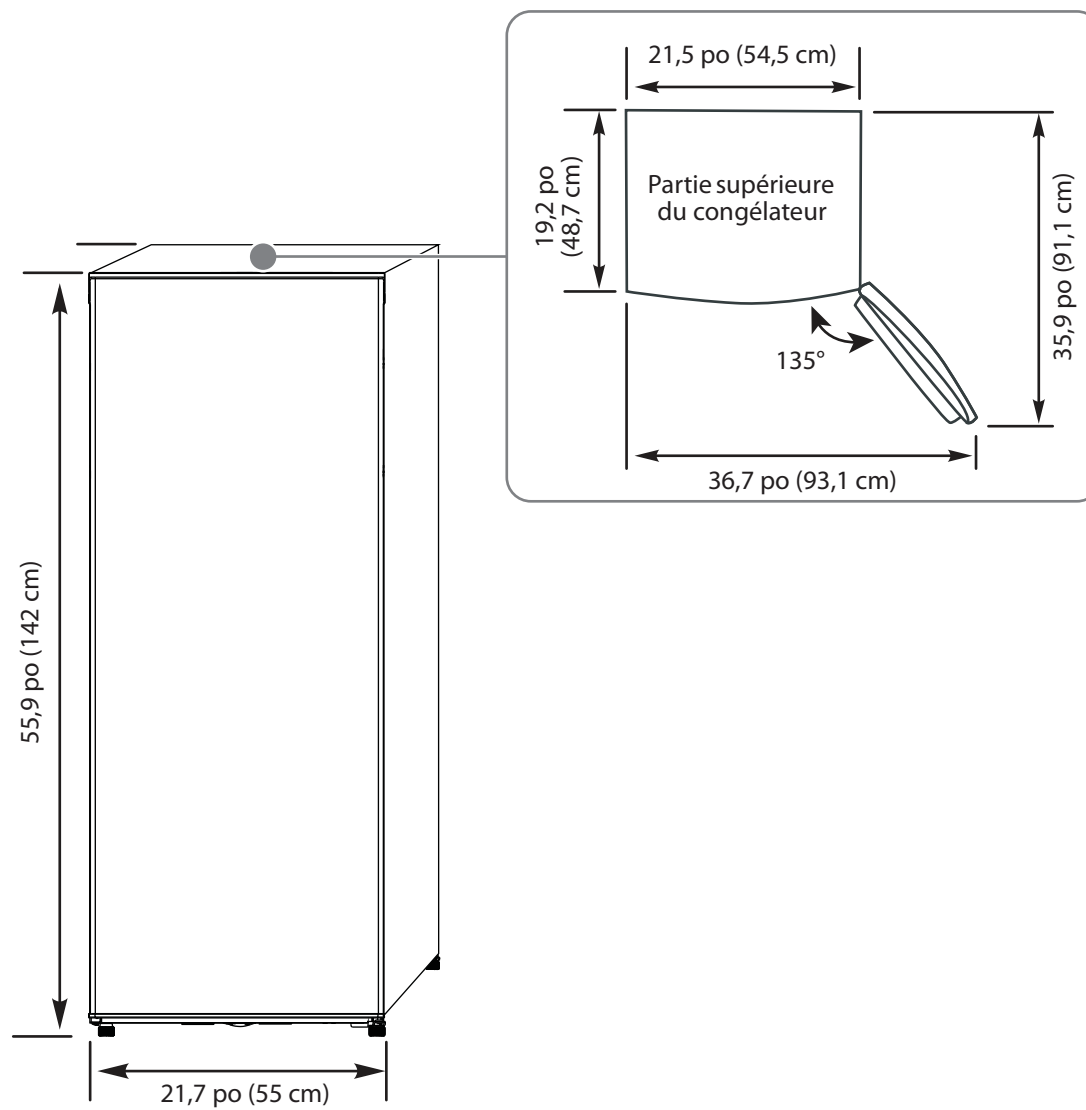
L'utilisation incorrecte de la prise de mise à la terre pourrait présenter un risque d'incendie ou de choc électrique. Vérifier avec un technicien qualifié ou un professionnel d'entretien si les instructions de mise à la terre ne sont pas totalement comprises ou en cas de doute sur la mise à la terre correcte du congélateur.

Caractéristiques

Contenu de l'emballage

- Congélateur vertical de 5,3 pi³
- Guide de l'utilisateur

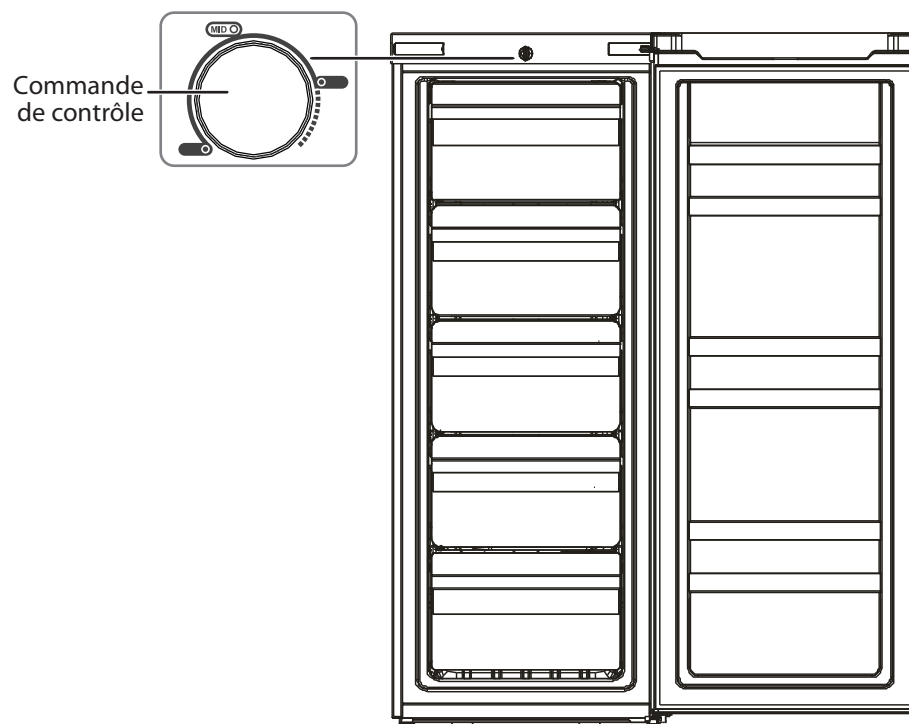
Dimensions



Intérieur

Remarque

Les illustrations de ce Guide de l'utilisateur sont fournies uniquement à titre de référence. Le produit réel peut être légèrement différent.



Remarques

- Les quatre étagères supérieures mesurent 14,9 × 12,6 po (37,8 × 32,1 cm) (L × P)
- L'étagère inférieure mesure 15,2 × 6,6 po (38,5 × 16,8 cm) (L × P)
- Il est possible de retirer l'étagère inférieure.

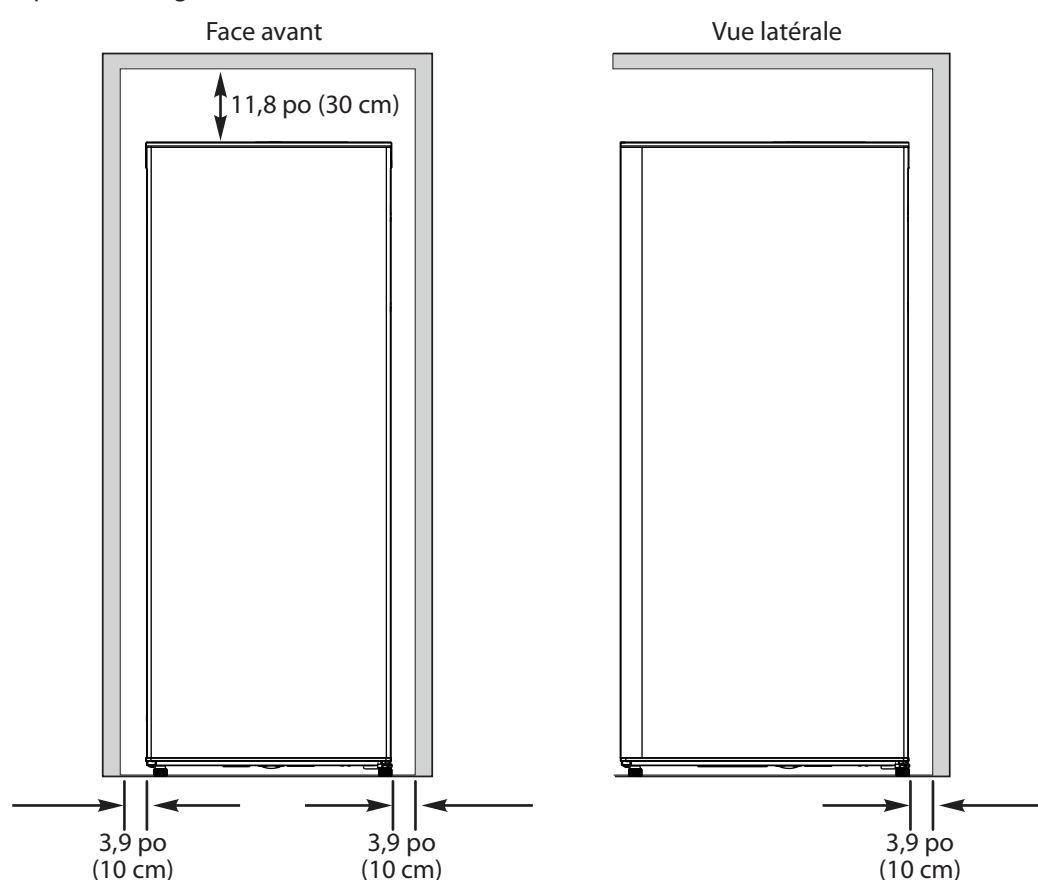
Mise en service du congélateur

Avant l'utilisation du congélateur

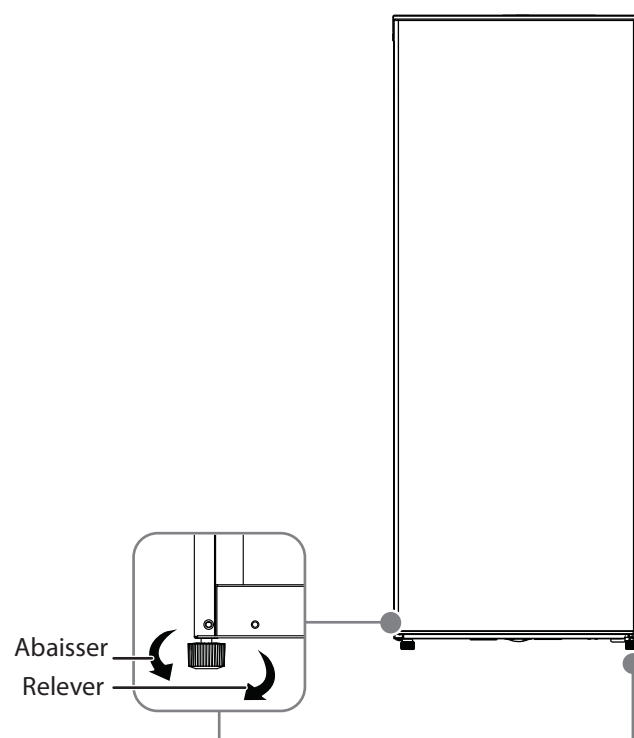
- Retirer l'emballage extérieur et intérieur, y compris les coussinets inférieurs, les supports en mousse et le ruban adhésif à l'intérieur du congélateur. Retirer le film en plastique des portes et des côtés.
- Laisser le congélateur reposer verticalement pendant environ 30 minutes avant de le connecter à l'alimentation. Cela réduit le risque d'un fonctionnement défectueux du système de refroidissement dû à une manutention incorrecte pendant le transport.
- Avant de mettre des aliments frais ou congelés, laisser le congélateur fonctionner pendant deux à trois heures. Si la température ambiante est élevée, par exemple en été, attendre pendant quatre heures ou plus.
- Laver l'intérieur à l'aide d'un chiffon humide tiède, trempé dans une solution de bicarbonate de soude (deux cuillères à soupe dans un quart d'eau tiède), puis sécher avec un chiffon sec. Effectuer cet entretien périodiquement pour conserver le congélateur à l'état neuf.
- Pour un fonctionnement correct, il faut mettre le congélateur de niveau à l'aide des pieds de nivellement. Si le congélateur n'est pas mis de niveau, il se peut que les portes ne se ferment pas ou ne soient pas hermétiques, ce qui pourrait être cause de problèmes de réfrigération, de givre ou d'humidité. Tourner les pieds de nivellement dans le sens horaire pour élever ou antihoraire pour abaisser un des côtés. Les pieds de nivellement peuvent être réglés plus facilement si quelqu'un pousse la partie supérieure du congélateur afin de diminuer son poids.
- Lorsque le congélateur est déplacé, ne pas l'incliner de plus de 45° de sa position verticale.

Trouver un emplacement approprié

- Placer le congélateur sur un sol qui est assez solide pour le soutenir quand il est complètement rempli.
- Ne pas installer le congélateur sur une moquette ou un tapis.
- Ce congélateur est conçu uniquement pour une installation autonome et ne doit pas être encastré ou intégré.
- Si le congélateur est utilisé dans un garage, s'assurer que la température ambiante se maintient entre 5 °F et 190 °F (- 15 °C et 43 °C).
- Laisser 3,9 po (20 cm) d'espace entre les côtés du congélateur et les murs environnants, 3,9 po (10 cm) entre le dos du congélateur et le mur, et 11,8 po (30 cm) entre le dessus du congélateur et le plafond. Cela permet une aération adéquate. Régler les pieds pour maintenir le congélateur de niveau.
- Si le congélateur est disposé à proximité d'un mur fixe, laisser un espace suffisant pour que la partie avec charnière de la porte puisse s'ouvrir sans problème.
- Installer le congélateur à l'écart de la lumière directe du soleil et d'autres sources de chaleur, telles qu'un four, le chauffage ou un radiateur. La lumière directe du soleil peut endommager le revêtement acrylique et les sources de chaleur peuvent augmenter la consommation électrique. Des températures extrêmement froides peuvent aussi empêcher le congélateur de fonctionner correctement.
- Éviter de placer le congélateur dans des endroits humides.



Mise de niveau du congélateur



- La mise de niveau du congélateur est importante. Si le congélateur n'est pas mis de niveau, il se peut que les portes ne se ferment pas ou ne soient pas hermétiques, ce qui pourrait être cause de problèmes de réfrigération, de givre ou d'humidité.
- Pour mettre le congélateur de niveau, il est nécessaire de tourner le pied de mise de niveau dans le sens horaire pour relever ce côté du congélateur ou de le tourner dans le sens antihoraire pour abaisser ce côté.

Remarque

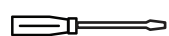
Les pieds peuvent être réglés plus facilement si quelqu'un pousse la partie supérieure du congélateur afin de l'incliner légèrement.

Inversion de la porte du congélateur

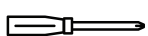
Avertissements

- Débrancher le congélateur avant d'inverser la porte. Si le congélateur n'est pas débranché, il peut en résulter des blessures graves voire mortelles par suite d'un choc électrique.
- Pour éviter des blessures ou des dommages matériels, rechercher l'aide d'un tiers pour inverser la porte.

Les outils suivants sont nécessaires pour inverser la porte du congélateur :



Tournevis à
lame plate



Tournevis
cruziforme



Clé à douille
de 5/16 po

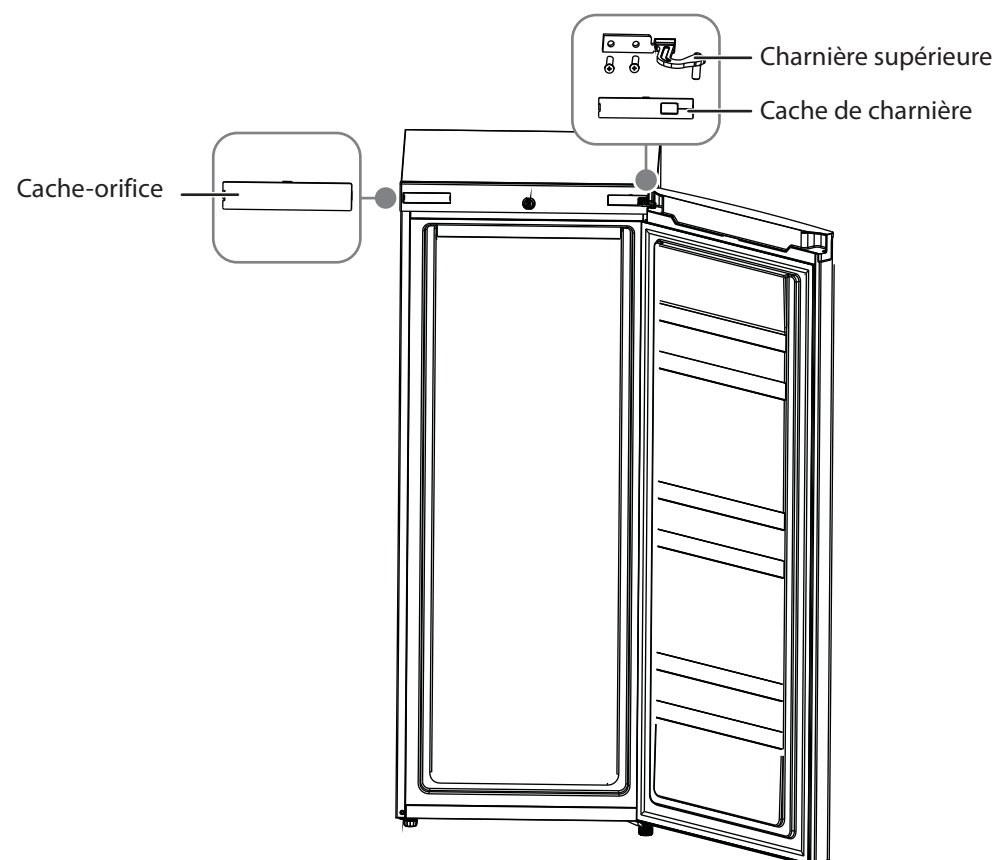


Ruban
adhésif



Couteau à
mastic

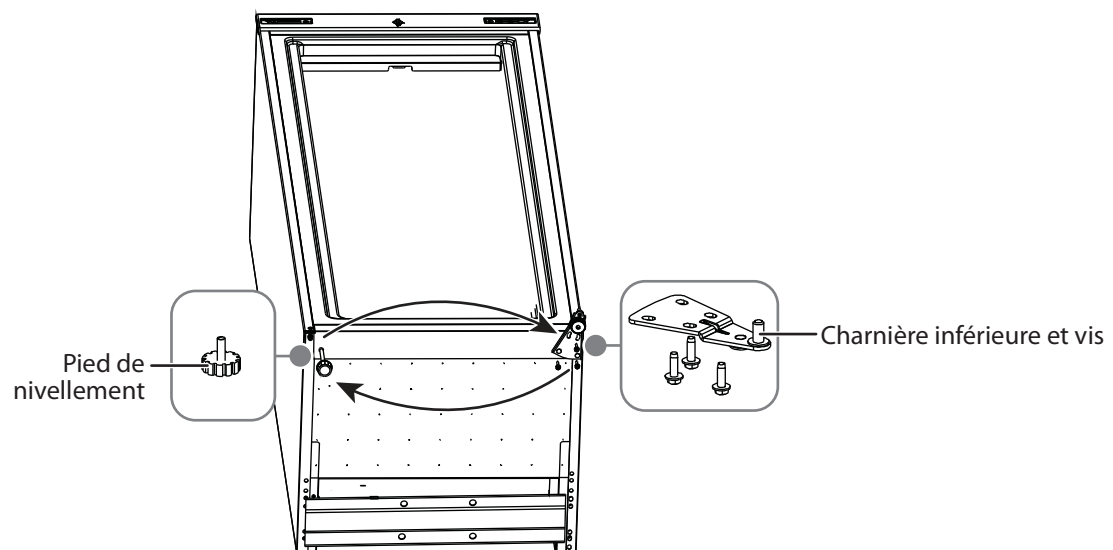
- 1 Débrancher le congélateur.
- 2 Retirer le cache de la charnière, puis retirer les vis de la charnière supérieure et la charnière du congélateur. Retirer l'axe de la bordure supérieure de la porte, puis retirer le cache de l'orifice de l'autre côté de la porte du congélateur.



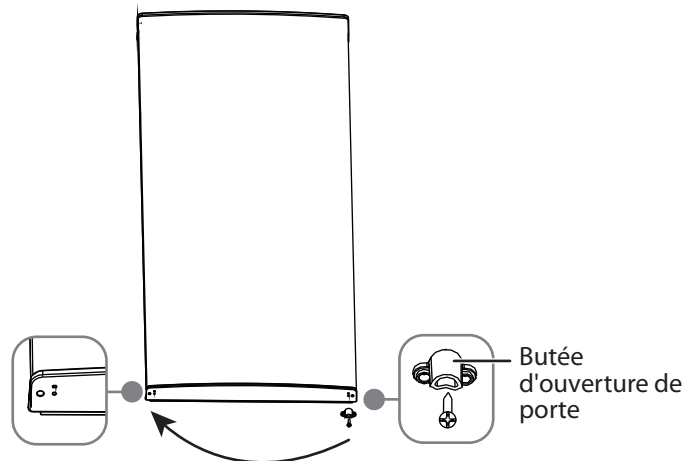
- 3 En même temps qu'un tiers incline le congélateur vers l'arrière, retirer les vis de la charnière inférieure et la charnière, ainsi que les deux pieds de nivellement. Installer la charnière inférieure et les pieds de nivellement de l'autre côté.

Conseil

Il est également possible de faire reposer le congélateur à plat sur le sol pour retirer et installer la charnière inférieure plus facilement. S'il est disposé à plat sur le sol et lorsqu'il est remis en position verticale, attendre deux heures avant de le rebrancher.

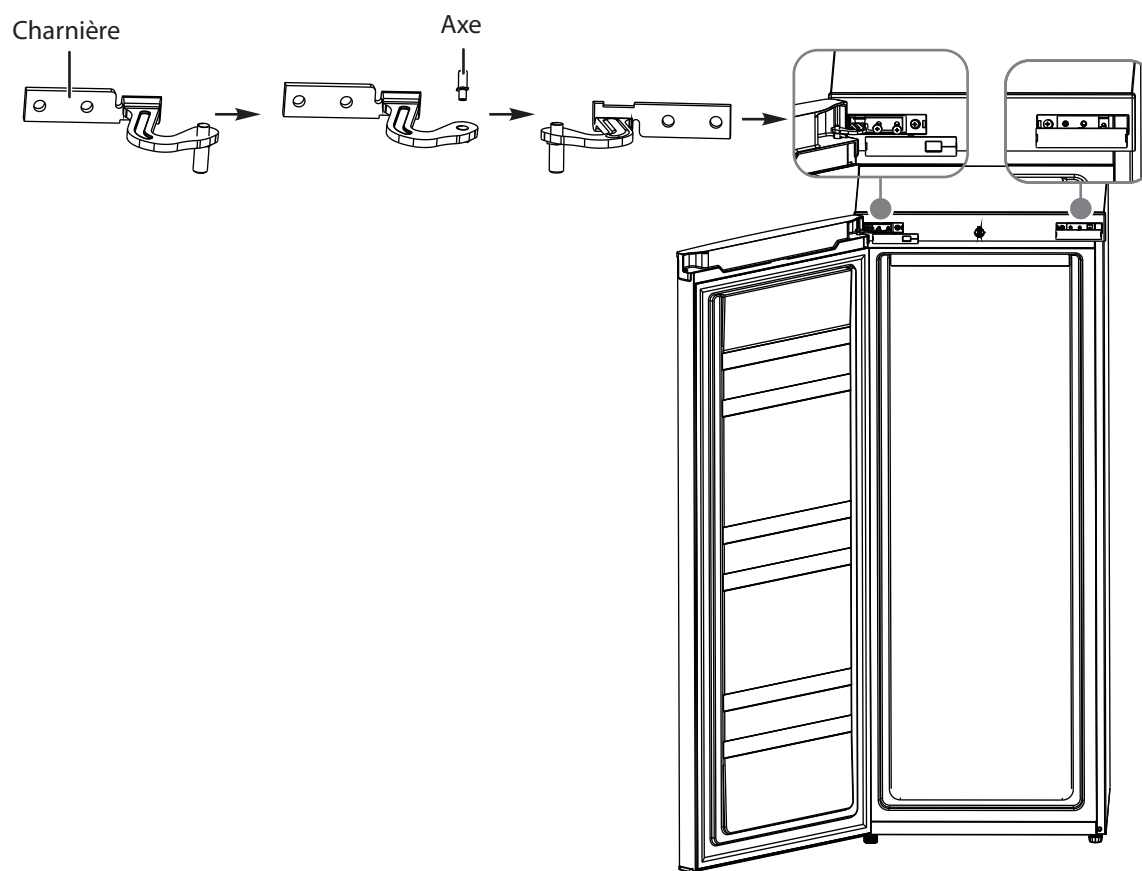


- 4 Retirer la butée d'ouverture de la porte, puis l'installer de l'autre côté.



- 5 Aligner la partie inférieure de la porte afin que l'axe de la charnière s'insère dans l'orifice de la partie inférieure de la porte.

- 6 Aligner la charnière avec les orifices des vis sur la porte et l'orifice de la bordure supérieure de la porte. Faire glisser l'axe dans l'orifice de la charnière et dans l'orifice de la bordure supérieure de la porte. Utiliser les vis pour fixer la charnière au congélateur. Placer le cache de l'orifice par-dessus l'ouverture de la charnière de l'autre côté de la porte.



Accès à une source d'alimentation appropriée

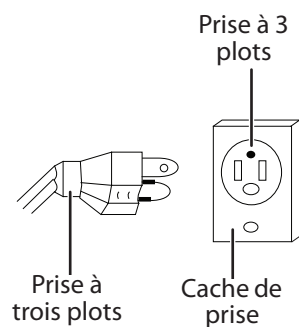
Vérifier la source d'alimentation locale. Ce congélateur requiert une alimentation de 115 V, 60 Hz.

Avertissements

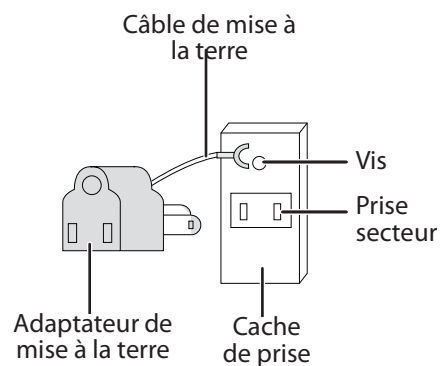
Vérifier que :

- La prise secteur est adaptée à une prise mise à la terre à 3 plots. Le troisième plot de la prise du câble d'alimentation met le congélateur à la terre pour réduire le risque de choc électrique. Ne pas modifier la prise d'alimentation.
- AUCUN autre appareil ne doit être branché sur la même prise secteur que le congélateur. Cela pourrait surcharger le circuit et être cause d'incendie.
- NE PAS utiliser de rallonge. Si le congélateur est trop éloigné d'une prise secteur, déplacer le congélateur ou demander à un électricien d'installer une prise plus proche de celui-ci.
- La prise secteur ne doit pas pouvoir être mise hors tension à l'aide d'un interrupteur ou d'un cordon.

Utilisation d'une prise à trois plots et d'une prise secteur



Utilisation d'un adaptateur de mise à la terre





Utilisation du congélateur

La durée de conservation des aliments congelés varie. Les aliments doivent être utilisés avant l'expiration de la durée de conservation recommandée.

Placer des aliments congelés dans le congélateur dès que possible après leur achat. Si l'emballage contient des instructions, les suivre avec attention pour la durée de conservation.

Les aliments commercialement surgelés pré-emballés doivent être conservés conformément aux directives du fabricant de ces aliments dans un compartiment de rangement de trois étoiles ou dans un congélateur domestique.

Les étagères sont fournies pour faciliter l'organisation des aliments de forme irrégulière.

Remarque

En cas de panne d'alimentation, les aliments dans le congélateur resteront congelés pendant plusieurs heures, même en été. En cas de panne d'alimentation, ne pas ouvrir la porte plus que nécessaire et ne pas ajouter de nouveaux aliments.

- 1 Brancher le congélateur. Attendre 30 minutes, puis ouvrir la porte du congélateur pour déterminer s'il fonctionne correctement. Quand le congélateur est branché sur une prise secteur, il fonctionne en continu.
- 2 Attendre deux à quatre heures avant de mettre des aliments dans le congélateur. Si la température de la pièce est élevée, attendre quatre heures ou plus.
- 3 Tourner la commande de contrôle pour régler la température. Ce congélateur a trois réglages de température indiqués :
 - MIN. : 10,4 °F à 5 °F (- 12 °C à - 15 °C)
 - MID (Moyenne) : - 0,4 °F à - 4 °F (- 18 °C à - 20 °C)
 - MAX. : - 7,6 °F à - 11,2 °F (- 22 °C à - 24 °C)

Il est possible de régler la température sur l'une des positions de réglage ou sur une position intermédiaire de celles indiquées.

Remarques

- Il peut être nécessaire de régler la température en fonction de la température ambiante de la pièce. Si la température de la pièce est élevée (p. ex., en été), baisser la température du congélateur. Si la température de la pièce est basse (p. ex., en hiver), augmenter la température du congélateur.
- Il peut être nécessaire de régler la température en fonction de la quantité d'aliments dans le congélateur.
- Si le congélateur est débranché ou n'est plus alimenté, il est nécessaire d'attendre trois à cinq minutes avant de le remettre en marche. En cas de tentative de remise en marche avant ce délai, le congélateur ne redémarrera pas.
- En cas de panne d'électricité, débrancher le congélateur et attendre que l'électricité soit rétablie avant de le rebrancher.
- De grandes quantités d'aliments diminueront les capacités de refroidissement du congélateur.
- Ne pas stocker des aliments en bouteille ou des boissons dans le congélateur.



Nettoyage du congélateur

Ce congélateur a été conçu pour être utilisé tout au long de l'année avec un minimum de nettoyage et de maintenance. Il est recommandé d'effectuer ce qui suit chaque fois que le congélateur est nettoyé, afin qu'il fonctionne sans odeur et de façon efficace :

Attention

Pour éviter d'endommager la finition, ne pas utiliser d'essence, de benzène, de diluant ou d'autres solvants et ne pas utiliser de nettoyants abrasifs.

- 1 Débrancher le congélateur de la prise secteur.
- 2 Retirer tous les aliments.
- 3 Utiliser une solution détergente douce pour laver les étagères.
- 4 Nettoyer l'intérieur et l'extérieur avec un chiffon humide à l'aide d'un détergent non corrosif, neutre. En cas d'utilisation d'un détergent, retirer le détergent résiduel à l'aide d'un chiffon mouillé avec de l'eau claire. Ne pas utiliser de grosses quantités de détergent ou d'eau. Trop de liquide peut endommager l'isolation électrique.
- 5 Sécher l'intérieur et l'extérieur avec un chiffon doux ou un torchon.
- 6 S'assurer de conserver le joint de la porte propre, afin que la porte se ferme hermétiquement. Cela permet un fonctionnement efficace du congélateur.

Dégivrage du congélateur

Conseil

Pour éviter les fuites d'eau lors du dégivrage, placer quelques torchons devant le congélateur.

- 1 Débrancher le congélateur.
- 2 Retirer tous les aliments du congélateur et les placer dans des récipients qui les empêcheront de fondre.
- 3 Pour un dégivrage plus rapide, il est possible :
 - de placer un ventilateur à sa vitesse la plus élevée à côté du congélateur. La glace fondra plus rapidement. Lorsque la glace est fondue, utiliser des torchons pour essuyer l'excès d'eau, puis utiliser le ventilateur pour sécher plus rapidement;
 - de placer des récipients avec de l'eau chaude à l'intérieur du congélateur.
 - d'utiliser une raclette en plastique ou en bois (comme une spatule) pour enlever les couches épaisses de glace ou de givre. Ne pas utiliser d'ustensile acéré (comme un couteau), car cela pourrait endommager le congélateur.
- 4 Utiliser un chiffon mouillé avec de l'eau ou une solution douce de nettoyage pour nettoyer l'intérieur du congélateur.
- 5 Quand le dégivrage est terminé, essuyer l'intérieur avec un torchon sec.
- 6 Fermer le congélateur, le brancher sur une prise secteur et replacer les aliments à l'intérieur.

Entreposage du congélateur

- 1 Débrancher le congélateur de la prise secteur.
- 2 Retirer tous les aliments.
- 3 Nettoyer le congélateur.
- 4 Démontez les portes et laissez les étagères en place pour éviter que les enfants n'y grimpent à l'intérieur facilement

Attention

Être très prudent avec les enfants. S'assurer que les enfants ne peuvent pas accéder au congélateur.

Déplacement du congélateur

- 1 Débrancher le congélateur de la prise secteur.
- 2 Retirer tous les aliments.
- 3 Fixer fermement tous les éléments amovibles à l'intérieur du congélateur avec du ruban adhésif.
- 4 Maintenir la porte fermée avec du ruban adhésif.
- 5 S'assurer que le congélateur n'est pas incliné de plus de 45° par rapport à sa position verticale pendant le transport.

Conseils pour économiser de l'énergie

- Installer le congélateur dans l'endroit le plus frais de la pièce, à l'écart des électroménagers produisant de la chaleur ou des tuyauteries de chauffage et à l'abri de la lumière directe du soleil.
- Laisser les aliments chauds se refroidir avant de les placer dans le congélateur. Surcharger le congélateur force le compresseur à fonctionner plus longtemps. Les aliments qui se refroidissent plus lentement peuvent perdre en qualité ou s'abîmer.
- Envelopper les aliments correctement et essuyer les récipients pour qu'ils soient secs avant de les placer dans le congélateur. Cela empêche l'accumulation de givre à l'intérieur du congélateur.
- Les étagères de rangement du congélateur ne doivent pas être doublées de papier aluminium, de papier paraffiné ou de papier essuie-tout. Les revêtements interfèrent avec la circulation d'air froid, ce qui rend le congélateur moins efficace.
- Organiser et étiqueter les aliments pour réduire les ouvertures de la porte et les recherches prolongées. Retirer tous les éléments nécessaires en une fois et fermer la porte dès que possible.

Problèmes et solutions

PROBLÈME	SOLUTION
Le congélateur ne fonctionne pas.	<ul style="list-style-type: none">• Vérifier que le congélateur est fermement connecté à une prise secteur qui fonctionne.• Vérifier que la tension de la source d'alimentation est correcte. La tension du congélateur est indiquée sur l'étiquette à l'arrière du congélateur.• Vérifier la boîte de fusibles ou de disjoncteurs du domicile et remplacer le fusible ou réinitialiser le disjoncteur.

PROBLÈME	SOLUTION
Le congélateur émet une mauvaise odeur.	<ul style="list-style-type: none"> • S'assurer que tous les aliments avec une forte odeur (comme les oignons) sont enveloppés et rangés dans un emballage hermétique. • Certains récipients et matériaux d'emballage (tels que le papier, le papier aluminium ou le plastique) peuvent être source d'odeurs. Si cela peut être le cas, essayer d'utiliser des récipients ou des matériaux d'emballage d'une marque différente. • Rechercher la présence éventuelle d'aliments avariés et les retirer. • Nettoyer l'intérieur du congélateur. Voir Nettoyage du congélateur à la page 12.
La porte du congélateur ne se ferme pas complètement.	<ul style="list-style-type: none"> • Vérifier qu'aucun emballage d'aliments ne gêne la fermeture. • Vérifier si le joint de la porte est propre. Voir Nettoyage du congélateur à la page 12. • Si le joint de la porte n'est pas suffisamment hermétique, essayer de le chauffer puis de le refroidir. Il est possible d'utiliser un sèche-cheveux électrique pour chauffer le joint. • Vérifier que le congélateur est de niveau. Voir Mise de niveau du congélateur à la page 8.
La porte du congélateur s'ouvre difficilement.	<ul style="list-style-type: none"> • Lorsque la porte du congélateur est ouverte, de l'air chaud pénètre à l'intérieur. Quand la porte est fermée, l'air chaud pénètre dans le condensateur ce qui crée un effet de vide. C'est pourquoi la porte est difficile à ouvrir pendant environ 10 à 15 secondes après la fermeture. • Si la porte s'ouvre difficilement dans d'autres conditions, essayer d'enduire de paraffine ou de vaseline les bords du joint de porte. La paraffine est utilisée pour la mise en boîte et peut être utilisée sans danger à proximité des aliments.
Le compresseur fonctionne pendant une longue durée ou s'allume et s'éteint fréquemment.	<p>Le compresseur fonctionne pendant plus longtemps si :</p> <ul style="list-style-type: none"> • la température de la pièce est élevée; • une quantité importante d'aliments vient d'être ajoutée. Attendre que les aliments soient congelés et vérifier de nouveau; • la porte est ouverte et fermée fréquemment; • le joint de la porte est sale. Nettoyer le joint. Voir Nettoyage du congélateur à la page 12; • le congélateur a été débranché pendant un certain temps. Attendre que le congélateur refroidisse (environ quatre heures) avant d'y ajouter des aliments; • la température est réglée à un niveau trop bas. Régler la commande de contrôle à une température plus élevée.
La lumière à l'intérieur du congélateur ne s'allume pas.	<ul style="list-style-type: none"> • Vérifier que le congélateur est connecté à une prise secteur qui fonctionne. • Vérifier si la lumière est grillée. Si la lumière est grillée, la faire remplacer par un technicien compétent.
Le congélateur émet des bruits inhabituels ou des vibrations.	<ul style="list-style-type: none"> • Les parties métalliques se dilatent et se contractent avec les changements de température. Cela est normal. • Pendant la circulation du réfrigérant dans le circuit, le congélateur peut émettre des bruits. Cela est normal. • Retirer des éléments de la partie supérieure du congélateur. • Vérifier que le congélateur est de niveau. Voir Mise de niveau du congélateur à la page 8. • Si le congélateur touche les murs, l'écarter des murs. • Vérifier que les étagères sont correctement installées.
Le plateau d'eau déborde.	<ul style="list-style-type: none"> • La quantité d'aliments dans le congélateur est trop importante ou les aliments entreposés contiennent trop d'eau ce qui se traduit par un dégivrage important. • Les portes ne sont pas fermées correctement, créant un dégivrage important.
L'extérieur du congélateur est chaud.	<p>La dissipation de chaleur du condensateur peut être responsable d'une sensation de chaleur de l'extérieur. Ceci est normal et se produit si :</p> <ul style="list-style-type: none"> • la température de la pièce est élevée; • la quantité d'aliments dans le congélateur est trop importante; • la porte est ouverte et fermée de façon excessive.

PROBLÈME	SOLUTION
De la condensation se forme à l'extérieur du congélateur.	<ul style="list-style-type: none"> • De la condensation sur la surface extérieure et le joint de la porte est normale lorsque l'humidité de la pièce est élevée. • Quand la porte est ouverte, la chaleur et l'humidité de l'air extérieur rencontrent l'air froid venant de l'intérieur du congélateur. Ceci est normal. Il suffit d'essuyer la condensation avec un torchon propre.



GARANTIE D'UN AN - VALIDE UNIQUEMENT SI ACCOMPAGNÉE DU REÇU ORIGINAL

GARANTIE : Home Hardware Stores Limited garantit ce produit contre tout vice de matière et de fabrication pendant une période d'un an à compter de la date d'achat initiale. Ce produit est destiné à un usage résidentiel seulement. Il n'est pas conçu pour des applications commerciales ou industrielles. La présente garantie couvre uniquement l'acheteur initial du produit.

Contactez le Service aux Consommateurs OMNImax ou un service agréé OMNImax au 1-866-646 4332.

COUVERTURE : La présente garantie est nulle si le produit a été endommagé à la suite d'un accident, d'une négligence, d'une manutention ou d'une utilisation inappropriée, de dommages subis lors de l'expédition, d'un usage abusif, d'un mauvais usage, d'une réparation ou tentative de réparation non autorisée, de modifications, d'un assemblage/montage ou entretien inadéquat, d'un usage commercial ou de toute autre cause ne découlant pas d'un vice de matière ou de fabrication. La présente garantie ne s'étend pas aux appareils ayant été modifiés ou altérés, ni aux dommages subis par des produits ou pièces d'appareil dont le numéro de série a été enlevé, altéré, détérioré ou rendu illisible. L'appareil doit être retourné au magasin Home Hardware le plus proche à des fins d'inspection et/ou de remplacement.

GARANTIES IMPLICITES : Toute garantie implicite que pourrait posséder l'acheteur se limite à une durée d'un an à compter de la date d'achat. La présente garantie limitée remplace toute autre garantie expresse ou implicite, y compris toute garantie de qualité marchande et de convenance précise, et exclut toute responsabilité à l'égard de tous dommages indirects ou consécutifs, quelle qu'en soit la cause.

APPLICATION DE LA GARANTIE : Pendant la période de garantie d'un an, tout produit jugé défectueux sera remplacé s'il est retourné à un marchand autorisé. Le produit de remplacement sera alors couvert pendant le reste de la période d'un an de la garantie, augmenté d'une période additionnelle d'un mois. Ce remplacement sera effectué sans frais pour l'acheteur.

