

# BENCHMARK<sup>TM</sup> MC

## 20V MAX LED WORKLIGHT



5 Year Limited Warranty on tool  
3 Year on battery and chargers  
Battery and charger sold separately

**READ ALL INSTRUCTIONS BEFORE FIRST USE.  
KEEP THIS MANUAL FOR FUTURE REFERENCE.  
KEEP AWAY FROM CHILDREN.**

Maximum initial battery voltage (measured without a load)  
is 20 volts. Nominal voltage is 18 volts.



**WEAR CSA APPROVED  
EYE PROTECTION**



**WEAR EAR  
PROTECTION**



**WEAR A  
FACE MASK**

## PRODUCT SPECIFICATIONS

20V MAX LED LIGHT	
Voltage	20V
LED Light levels	2
Wattage	3W LED (Equals 130 LUMENS)
Rotation	360°
Tilts	90°
Weight	0.5Lb (0.2KG) Worklight Only
Batteries (Sold Separately)	5350-023 (2.5Ah), 5350-011 (4Ah), 5350-012 (5Ah)
Charger (Sold Separately)	5350-010 2.4Amp

### NEED ASSISTANCE?

Call us on our toll-free customer support line:  
1-866-349-8665 (Monday through Friday 9am – 5pm Eastern Standard Time)

- Technical questions
- Replacement parts
- Parts missing from package

**TABLE OF CONTENTS**

Product Specifications ..... 1  
Table of Contents ..... 2  
General Safety Instructions ..... 3  
Work Area Safety ..... 3  
Electrical Safety ..... 3  
Personal Safety ..... 3  
Power Tool Use and Care ..... 4  
Battery Tool Use and Care ..... 5  
Service ..... 5  
Symbols ..... 5  
Know Your 20V Max LED Light ..... 6  
Tool Assembly ..... 6  
Installing the Belt Clip ..... 6  
How to Use the 20v Max LED Light ..... 7  
Maintenance ..... 7  
Warranty ..... 7  
Exploded View ..... 8  
Parts List ..... 8

## GENERAL SAFETY INSTRUCTIONS

**⚠️ WARNING: Read all safety warnings and all instructions.** Failure to follow the warnings and instructions may result in electric shock, fire and/or serious injury. **Save all warnings and instructions for future reference.** The term “power tool” in the warnings refers to your mains-operated (corded) power tool or battery-operated (cordless) power tool.

### WORK AREA SAFETY

- a) **Keep work area clean and well lit.** Cluttered or dark areas invite accidents.
- b) **Do not operate power tools in explosive atmospheres, such as in the presence of flammable liquids, gases or dust.** Power tools create sparks which may ignite the dust or fumes.
- c) **Keep children and bystanders away while operating a power tool.** Distractions can cause you to lose control.

### ELECTRICAL SAFETY

- a) **Power tool plugs must match the outlet. Never modify the plug in any way.** Do not use any adapter plugs with earthed (grounded) power tools. Unmodified plugs and matching outlets will reduce risk of electric shock.
- b) **Avoid body contact with earthed or grounded surfaces, such as pipes, radiators, ranges and refrigerators.** There is an increased risk of electric shock if your body is earthed or grounded.
- c) **Do not expose power tools to rain or wet conditions.** Water entering a power tool will increase the risk of electric shock.
- d) **Do not abuse the cord. Never use the cord for carrying, pulling or unplugging the power tool. Keep cord away from heat, oil, sharp edges or moving parts.** Damaged or entangled cords increase the risk of electric shock.
- e) **When operating a power tool outdoors, use an extension cord suitable for outdoor use.** Use of a cord suitable for outdoor use reduces the risk of electric shock.
- f) **If operating a power tool in a damp location is unavoidable, use a residual current device (RCD) protected supply.** Use of an RCD reduces the risk of electric shock.

### PERSONAL SAFETY

- a) **Stay alert, watch what you are doing and use common sense when operating a power tool. Do not use a power tool while you are tired or under the influence of drugs, alcohol or medication.** A moment of inattention while operating power tools may result in serious personal injury.
- b) **Use personal protective equipment. Always wear eye protection.** Protective equipment such as dust mask, non-skid safety shoes, hard hat, or hearing protection used for appropriate conditions will reduce personal injuries.

- c) **Prevent unintentional starting. Ensure the switch is in the off position before connecting to power source and/or battery pack, picking up or carrying the tool.** Carrying power tools with your finger on the switch or energising power tools that have the switch on invites accidents.
- d) **Remove any adjusting key or wrench before turning the power tool on.**  
A wrench or a key left attached to a rotating part of the power tool may result in personal injury.
- e) **Do not overreach. Keep proper footing and balance at all times.** This SYMBOLS enables better control of the power tool in unexpected situations.
- f) **Dress properly. Do not wear loose clothing or jewellery. Keep your hair, clothing and gloves away from moving parts.** Loose clothes, jewellery or long hair can be caught in moving parts.
- g) **If devices are provided for the connection of dust extraction and collection facilities, ensure these are connected and properly used.** Use of dust collection can reduce dust-related hazards.

#### **POWER TOOL USE AND CARE**

- a) **Do not force the power tool. Use the correct power tool for your application.**  
The correct power tool will do the job better and safer at the rate for which it was designed.
- b) **Do not use the power tool if the switch does not turn it on and off.** Any power tool that cannot be controlled with the switch is dangerous and must be repaired.
- c) **Disconnect the plug from the power source and/or the battery pack from the power tool before making any adjustments, changing accessories, or storing power tools.** Such preventive safety measures reduce the risk of starting the power tool accidentally.
- d) **Store idle power tools out of the reach of children and do not allow persons unfamiliar with the power tool or these instructions to operate the power tool.**  
Power tools are dangerous in the hands of untrained users.
- e) **Maintain power tools. Check for misalignment or binding of moving parts, breakage of parts and any other condition that may affect the power tool's operation. If damaged, have the power tool repaired before use.** Many accidents are caused by poorly maintained power tools.
- f) **Keep cutting tools sharp and clean.** Properly maintained cutting tools with sharp cutting edges are less likely to bind and are easier to control.
- g) **Use the power tool, accessories and tool bits etc. in accordance with these instructions, taking into account the working conditions and the work to be performed.** Use of the power tool for operations different from those intended could result in a hazardous situation.

## BATTERY TOOL USE AND CARE






- a) **Recharge only with the charger specified by the manufacturer.** A charger that is suitable for one type of battery pack may create a risk of fire when used with another battery pack.
- b) **Use power tools only with specifically designated battery packs.** Use of any other battery packs may create a risk of injury and fire.
- c) **When battery pack is not in use, keep it away from other metal objects, like paper clips, coins, keys, nails, screws or other small metal objects, that can make a connection from one terminal to another.** Shorting the battery terminals together may cause burns or a fire.
- d) **Under abusive conditions, liquid may be ejected from the battery; avoid contact. If contact accidentally occurs, flush with water. If liquid contacts eyes, additionally seek medical help.** Liquid ejected from the battery may cause irritation or burns.

## SERVICE

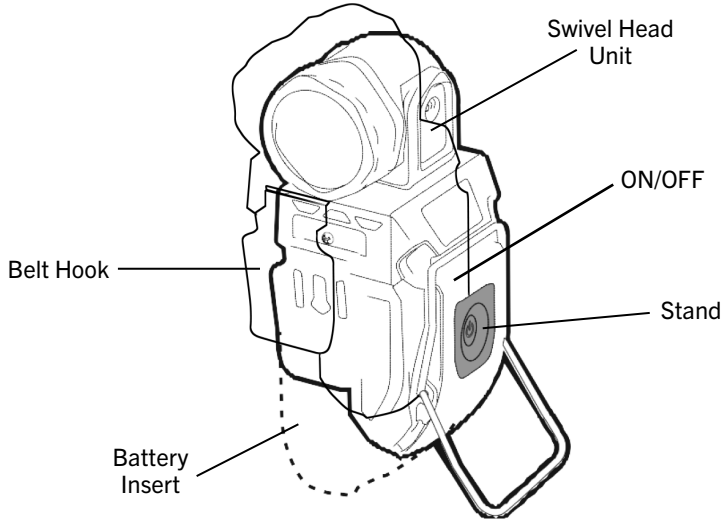
- a) **Have your power tool serviced by a qualified repair person using only identical replacement parts.** This will ensure that the safety of the power tool is maintained.

## SYMBOLS

The rating plate on your tool may show symbols. These represent important information about the product or instructions on its use.

	Direct current, DC		Waste electrical products should not be disposed of with household waste. Please recycle where facilities exist. Check with your Local Authority or retailer for recycling advice.
	Refer to instruction manual/ booklet		
	General warning		Regulator compliance mark

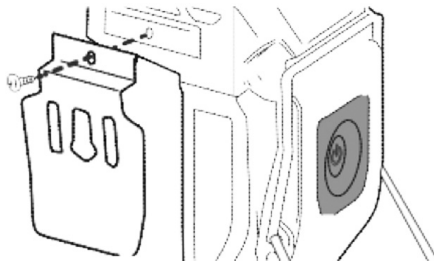
## KNOW YOUR 20V MAX LED LIGHT



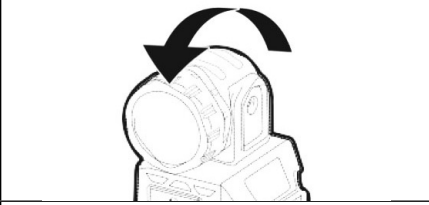
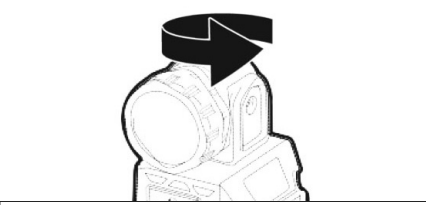
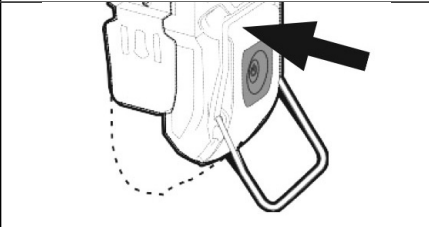
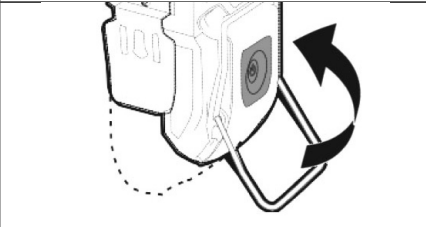
## TOOL ASSEMBLY

### INSTALLING THE BELT CLIP

Place provided belt clip (4) in the desired position on the side of the torch. Using a Phillips head #2 screwdriver, place screw through clip into screw hole & hand tighten until you feel resistance & clip is adequately tight.



## HOW TO USE THE 20V MAX LED LIGHT

	
<b>VERTICAL SWIVEL (180°)</b>	<b>HORIZONTAL SWIVEL (360°)</b>
	
<b>HOW TO TURN THE LIGHT ON</b> To turn on the light, press the on/off switch (2) once for low light and twice for full light.	<b>HOW TO USE THE STAND</b> The hanger/stand (3) has three available positions: Position 1: Closed Position 2: Used as a stand to hold up the light Position 3: Used to hang the light up allowing for handsfree use

## MAINTENANCE

Avoid using solvents when cleaning plastic parts. Most plastics are susceptible to damage from various types of commercial solvents and may be damaged by their use. Use clean cloths to remove dirt, dust, oil, grease, etc.

**⚠️ WARNING:** Do not at any time let brake fluids, gasoline, petroleum based products, penetrating oils, etc., come in contact with plastic parts. Chemicals can damage, weaken or destroy plastic which may result in serious personal injury.

## WARRANTY

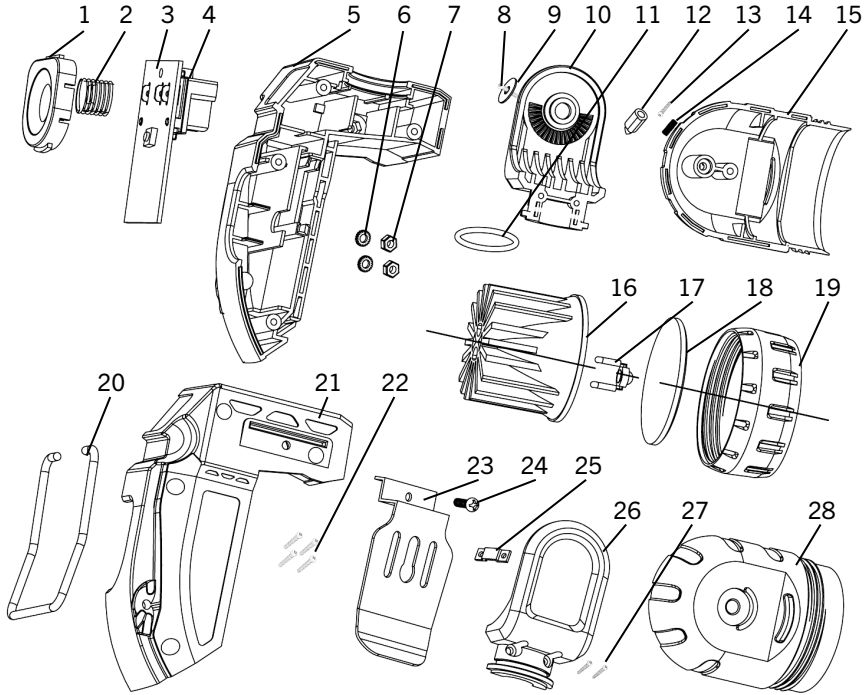
### BENCH MARK 20V MAX LED LIGHT

If this Benchmark tool fails due to a defect in material or workmanship within five years from the date of purchase, return it to any Home Hardware store with the original bill of sale for exchange. 3-year warranty for the battery and charger. This warranty does not include expendable parts including but not limited to blades, brushes, belts, light bulbs.

This warranty covers defects in material or workmanship only. It does not cover normal wear and tear, failure due to abuse/misuse, or defects caused by careless or accidental mishandling. If this Benchmark product is used for commercial or rental purposes, this warranty does not apply.



**EXPLODED VIEW**



**PARTS LIST**

KEY #	PART #	PART NAME / QUANTITY	KEY #	PART #	PART NAME
1	3120010084	Switch Button / 1	15	3010120027	Revolving Housing (Left) / 1
2	2050030017	Spring / 1	16	2030030232	Reflector / 1
3	1130030062	Pcb Assembly / 1	17	1220040003	LED Light / 1
4	3150170018	Terminal Plate / 1	18	3180010019	Lens / 1
5	3010120034	Left Housing / 1	19	3160060064	Lens Retainer / 1
6	2030020305	Washer / 2	20	4030010034	Steel Wire / 1
7	4060010039	Nut / 2	21	3010120034	Right Housing / 1
8	4030010034	Screw St 2.9x16 / 1	22	4030010034	Screw St 2.9x16 / 4
9	2030020288	Washer / 1	23	2030090031	Belt Loop / 1
10	3010120025	Left Revolving Support / 1	24	4020010168	Screw M 3x12 / 1
11	3140020046	O Ring / 1	25	3150020008	Cord Clamp / 1
12	3150130127	Pin / 1	26	3010120025	Right Revolving Support / 1
13	4030010012	Screw St 2.5x10 / 1	27	4030010012	Screw St 2.5x10 / 2
14	2050060209	Spring / 1	28	3010120027	Revolving Housing (Right) / 1



*20V MAX LED WORKLIGHT*

**3646-430**

# 20V MAX LED WORKLIGHT



5 Year Limited Warranty on tool  
3 Year on battery and chargers  
Battery and charger sold separately

**BENCHMARK**™  
MC

**BENCHMARK TOOLS CANADA**

ST. JACOBS, ONTARIO N0B 2N0

© 2020 Home Hardware Stores Limited

**CUSTOMER SERVICE/TECH SUPPORT**

1-866-349-8665

**3646-430**

Made in China



\* This Benchmark™ product carries a five (5) year LIMITED warranty against defects in workmanship and materials. The charger and batteries carry a three (3) year LIMITED warranty. See Owner's Manual for full details.



**READ ALL INSTRUCTIONS BEFORE FIRST USE.  
KEEP THIS MANUAL FOR FUTURE REFERENCE.  
KEEP AWAY FROM CHILDREN.**

Maximum initial battery voltage (measured without a load)  
is 20 volts. Nominal voltage is 18 volts.



**WEAR CSA APPROVED  
EYE PROTECTION**



**WEAR EAR  
PROTECTION**



**WEAR A  
FACE MASK**