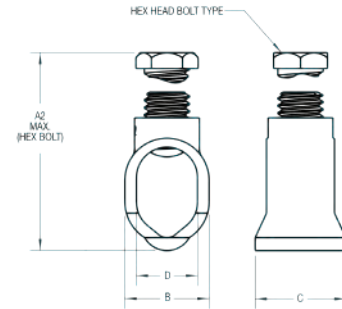


## Type JAB



- Cast of high-strength corrosion resistant copper alloy.
- Both hex head and socket set-screws available.
- Long bearing surface of clamp on ground wire secures ground connection.
- Listed for direct burial.



**SB SERIES**



Cat. No.	Nominal Rod Dia.		Wire Range				Dimensions (in.)				
	(in.)	(mm)	max.	min.	max. (mm <sup>2</sup> )	min. (mm <sup>2</sup> )	A (max.) Hex Bolt	Screw Thread Size UNC-2A	B	C	D
<b>TYPE JAB — GROUND ROD CLAMP</b>											
JAB34C	3/4 + 5/8	15.8 to 19.0	3/0 str.	8 sol.	95.0	8.3	2-11/32	7/16-14	1-1/8	1-1/32	13/16

Add suffix P to Cat. No. for tin-plated clamp.

Cat. No.	Description	Packaging
<b>SPLIT BOLTS</b>		
SB2HM1	Split bolt, 3 sol. - 6 sol range for equal main and tap, 14 sol. min. tap or max. main, bronze	Clamshell of 1 unit
SB4HM1	Split bolt, 4 sol. - 8 sol. range for equal main and tap. 14 sol. min. tap for max. main, bronze.	
SB6HM2	Split bolt, 6 sol. - 8 sol. range for equal main and tap, 14 sol. min. tap for max. main, bronze.	Clamshell of 2 units
SB8HM2	Split bolt, 8 str. - 10 sol. range for equal main and tap, 14 sol. min. tap for max. main, bronze.	



**3106-CP**



**CI3108**



**3110-U-CP**



**BR34-UPC**



Cat. No.	Water Pipe Size (in.)	Ground Wire Size (AWG)		Galvanized Steel	Copper Clad	Packaging
		Min.	Max.			
<b>GROUND CLAMPS (ZINC ALLOY BODY / STEEL SCREWS)</b>						
3106-CP	1/2 to 1	10 sol.	2 str.	5/8 to 1*	N/A	Bag of 1 unit
3106M1						Clamshell of 1 unit
<b>GROUND CLAMP (ZINC / STEEL)</b>						
CI3108	1/2 to 1	10 sol.	2 str.	5/8 to 1*	N/A	
For connecting grounding conductor to either galvanized steel rod or water pipe. CSA approved for wet locations and for direct burial.						
<b>GROUND CLAMPS (BRONZE BODY / BRONZE SCREWS)</b>						
3110UBP-15	1/2 to 1	10 sol.	2 str.	5/8 to 1*	N/A	Box of 15 units
3110-U-CP						Bag of 1 unit
3110UM1						Clamshell of 1 unit
For connecting grounding conductor to either galvanized steel rod, copper clad or water pipe. CSA approved for wet locations and for direct burial.						
<b>GROUND ROD CLAMPS (BRONZE BODY / BRASS SCREWS)</b>						
CIGRC-34	N/A	8 sol.	1/0 str.	3/4	3/4	
BR58-UPC	5/8					
BR34-UPC	3/4					
For connecting grounding conductor to either galvanized steel rod or copper clad rod. CSA approved for wet locations and for direct burial.						

\*Reversible



**TT586**



**ADR25M3**



**ADR2M3**



**BTC0614M1**



Cat. No.	Description
<b>GROUND RODS</b>	
TT340C-UPC	Copper clad pointed ground rod - 3/4 inch x 10 feet
TT346-UPC	Hot-dip galvanized steel pointed ground rod - 3/4 inch x 6 feet
TT580-UPC	Hot-dip galvanized steel pointed ground rod - 5/8 inch x 10 feet
TT586-UPC	Hot-dip galvanized steel pointed ground rod - 5/8 inch x 6 feet



Cat. No.	Description	Conductor Range	Packaging
<b>GROUNDING CONDUCTORS</b>			
ADR25M3	Single conductor, one-hole mount (Tin-plated)	250 KCMIL - 6 AWG	Clamshell of 3 units
ADR2M3		2-14 AWG	
<b>GROUNDING MECHANICAL LUG</b>			
BTC0614M1	Mechanical lug (Copper only)	6-14 AWG	Clamshell of 1 unit