

RAVENNA® 3 RIGHT HEIGHT® ELONGATED COMPLETE TOILET WITH AQUAGUARD LINER

7419.756ST

- Vitreous china
- Meets definition for HET (High Efficiency Toilet)
- High Efficiency (1.28 gpf/4.8 Lpf)
- Meets EPA WaterSense® criteria
- EverClean® surface inhibits the growth of stain and odor causing bacteria, mold and mildew on the surface
- Includes AquaGuard Liner
- 16-1/2" rim height for accessible application
- Elongated siphon action jetted bowl
- Fully-glazed 2-1/8" trapway with 2" ball pass
- Generous 9" x 8" water surface area
- Close-coupled tank with flat tank cover for superior storage
- 12" (305mm) Rough-in
- Oversized 3" flush valve with chemical resistant flapper
- Chrome trip lever
- Speed Connect® tank-to-bowl coupling system
- Sanitary dam on bowl with four point tank stabilization
- Includes color-matched plastic toilet seat and cover
- Wax ring gasket with closet bolts
- 2 color-matched bolt caps
- 100% factory flush tested
- 5 year warranty



Nominal Dimensions:

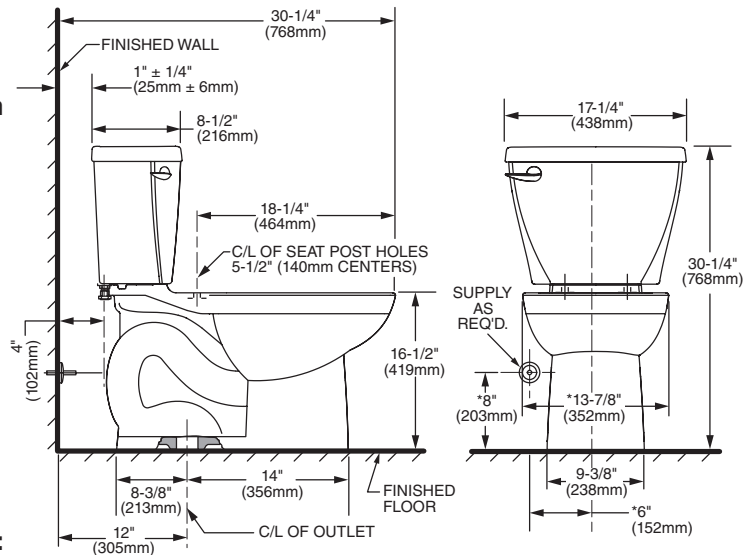
768 x 438 x 768mm
(30-1/4" x 17-1/4" x 30-1/4")

Compliance Certifications - Meets or Exceeds the Following Specifications:

- ASME A112.19.2-2008/CSA B45.1-08 for Vitreous China Fixtures
- US EPA WaterSense® Specification for HET's

To Be Specified:

- Color: White
- Supply with stop:



NOTES:

THIS TOILET IS DESIGNED TO ROUGH-IN AT A MINIMUM DIMENSION OF 305MM (12") FROM FINISHED WALL TO C/L OF OUTLET. SUPPLY NOT INCLUDED WITH FIXTURE AND MUST BE ORDERED SEPARATELY.
* DIMENSION SHOWN FOR LOCATION OF SUPPLY IS SUGGESTED.

IMPORTANT: Dimensions of fixtures are nominal and may vary within the range of tolerances established by ANSI Standard A112.19.2. These measurements are subject to change or cancellation. No responsibility is assumed for use of superseded or voided pages.

MEETS THE AMERICANS WITH DISABILITIES ACT GUIDELINES AND ANSI A117.1 REQUIREMENTS FOR ACCESSIBLE AND USABLE BUILDING FACILITIES-CHECK LOCAL CODES.



PART OF **LIXIL**