

WASHLET® G5A Integrated Smart Toilet - 1.2 GPF / 1.0 GPF

FEATURES

- High-efficiency dual flush functionality 1.2 GPF / 1.0 GPF (4.5 LPF / 3.8 LPF)
- TORNADO FLUSH® system utilizes 360° cleaning power to reach every part of the hole-free rim design bowl
- Auto flush - with back-up manual flush for power outages
- Auto open/close lid
- PREMIST® automatically mists the bowl before each use
- CEFIONTECT® ceramic glaze minimizes waste from sticking to porous ceramic surfaces
- Gentle aerated, warm water, dual-action spray with oscillating and pulsating features
- Instantaneous water heater for continuous warm water and energy savings
- Adjustable spray position, water temperature, and water pressure
- EWATER+® auto-cleans wand
- Seamless seat design eliminates the gap where dirt collects
- Warm air dryer with five variable temperature settings
- Automatic air deodorizer
- Automatic and programmable energy saving systems
- Multifunction remote control with 4-users personalized memory settings
- Universal Height, ADA compliant
- Night light

COMPONENTS

- SN7631M - Top Unit
- CT7631CEMFG - Elongated Bowl Unit

COLORS/FINISHES

- #01 Cotton

PRODUCT SPECIFICATION

The WASHLET G5A with the TORNADO FLUSH system toilet shall be 1.2 GPF / 1.0 GPF (4.5 LPF / 3.8 LPF). Toilet shall have CEFIONTECT ceramic glaze. Toilet shall be of skirted design, elongated front bowl with auto open and close seat. Toilet shall be TOTO Model MS7631CEMFG#01.



TORNADO FLUSH



CEFIONTECT



WASHLET



PREMIST

CODES/STANDARDS

- Meets and exceeds ASME A112.4.2, ASME A112.19.2/CSA B45.1, ASME A112.18.1/CSA B125.1, UL 1431, CSA C22.2 # 68
- Certifications: IAPMO(cUPC), State of Massachusetts, City of Los Angeles and others
- Code Compliance: UPC, IPC, NSPC, and others
- ADA Compliant
- Complies with CA Prop 65 warning requirements



CALGreen

AL7631

WASHLET® G5A Integrated Smart Toilet - 1.2 GPF / 1.0 GPF

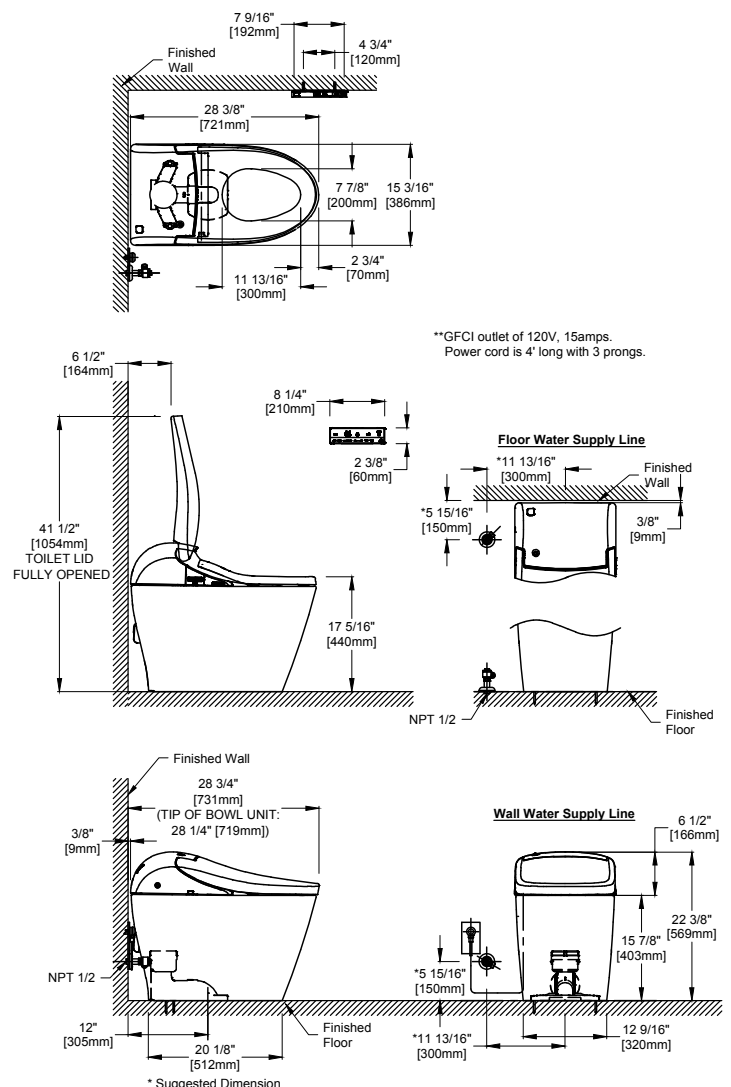
SPECIFICATIONS

Water Use	1.2 GPF / 1.0 GPF (4.5 LPF / 3.8 LPF)
Flush System	TORNADO FLUSH®
Water Pressure	Min: 7.25 PSI (0.05MPa) Flowing Max: 108.75 PSI (0.75MPa) Static
Water Surface	8-5/8" x 7-1/4"
Trap Diameter	2" (51 mm)
Trap Seal	2-1/8" (54 mm)
Rough-in	12"
Warranty	One Year Limited (Residential) One Year Limited (Commercial)
Material	Bowl: Vitreous China Seat + Cover: Plastic
Shipping Weight	SN7631M: 19 lbs CT7631CEMFG: 94 lbs
Shipping Dimensions	SN7631M: 31-3/16" L x 17-1/2" W x 10-3/4" H CT7631CEMFG: 31-5/8" L x 15-3/4" W x 22-5/8" H
Power Rating	AC 120 V, 60 Hz, 1276 W
Power Cord Length	3.9ft
Water Pressure	Min: 7.25 PSI (0.05MPa) Flowing Max: 108.75 PSI (0.75MPa) Static
Drying Feature	Air Temperature: Approx. 95°F - 140°F (35°C - 60°C)
Rear Washing	Approx. 0.07- 0.11 gal/min
Rear Soft Washing	Approx. 0.07- 0.11 gal/min
Front Washing	Approx. 0.08 - 0.11 gal/min
Washing Spray Feature	Approx. 95°F - 104°F (35°C - 40°C)
Safety Feature	Temperature Fuse
Drying Feature	Air Temperature: Approx. 95°F - 140°F (35°C - 60°C)
Airflow Volume	8.83 ft3/min
Dryer Safety Feature	Temperature Fuse
Seat Warming Feature	Surface Temperature: Approx. 82°F - 97°F (28°C - 36°C)
Seat Heater Capacity	50 W
Air Volume	Normal mode: Approx. 3.17 ft3/min Power mode: Approx. 5.65 ft3/min
Air Purifying Feature	O ₂ Deodorizer
Ambient Temp.	32°F - 104°F (0°C - 40°C)
Size	28-7/16" L x 15-1/4" W x 22-3/8" H
Weight	99lbs

INSTALLATION NOTES

- For use with potable water only. Do not use with recycled water.
- Warning: If there is a base board in the restroom, the center of the floor drain should be a minimum of 12" from the base board.
- It is highly recommended to use a surge protector to prevent damage in the event of a power surge.
- The following factors may affect IR signal strength and top unit operation: product and remote control location, room size, shape, construction materials, and degree of darkness (color) of ceiling and walls.
- Consult local electric code for GFCI location and installation requirements.

DIMENSIONS



TOTO®

These dimensions and specifications are subject to change without notice