

**Aspirations Skirted Two-Piece
Chair Height Elongated Toilet with Seat**

785AA801

- Vitreous china
- High Efficiency Toilet (4.8 Lpf/1.28 gpf)
- Meets EPA WaterSense® criteria
- 12" (305 mm) rough-in
- 16-1/2" rim height for accessible applications
- EasyMount Installation System, makes installation easy
- EverClean® Antimicrobial Surface inhibits the growth of stain and odor causing bacteria, mold and mildew on the surface
- Elongated siphon action jetted bowl with smooth-sided, concealed trapway
- Generous 9" x 8" water surface area
- CleanCurve Rim eliminates the rim area where dirt and buildup hide
- Chrome trip lever included (Matte Black, Cool Brush Sunrise and Brushed Nickel option available)
- Includes slow-close seat and cover with easy lift-off feature
- 2 color-matched bolt hole covers
- Lifetime warranty on chinaware, 10 year warranty on all mechanical parts, and 1 year warranty on seat
- Design coordinates with Aspirations suite

Left-hand trip lever

Finishes: 0020A - Polished Chrome
2430A - Matte Black
2950A - Brushed Nickel
GN00A - Cool Brush Sunrise

Nominal Dimensions:

29-13/16" x 14-3/4" x 30-11/16"
(757 x 375 x 779 mm)

Fixture and toilet seat only.
Supply line sold separately

To Be Specified:

- Color: White
 Supply with stop:



SEE NEXT PAGE FOR ROUGHING-IN DIMENSIONS

Compliance Certifications -

Meets or Exceeds the Following Specifications:

- ASME A112.19.2/CSA B45.1-08 for Vitreous China Fixtures
- US EPA WaterSense® Specification for HETs



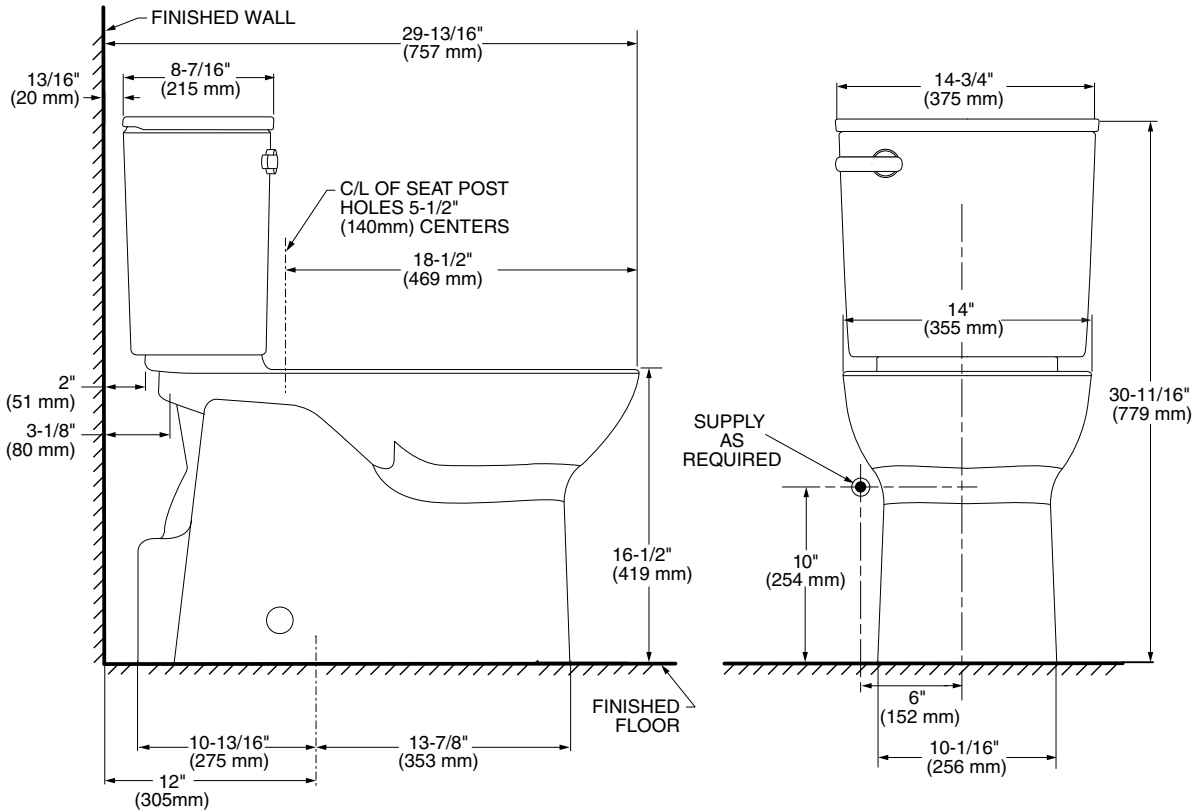
Meets B651-12 Barrier Free code. Check local codes.



Meets the American Disabilities Act Guidelines and ANSI A117.1 Requirements for the physically challenged.



American Standard®, the American Standard logo and all associated product names are exclusively owned by AS America, Inc., and are registered or unregistered trademarks in the U.S. and internationally. © 2023 AS America Inc. All rights reserved.



NOTES:

THIS COMBINATION IS DESIGNED TO ROUGH-IN AT A MINIMUM DIMENSION OF 305MM (12") FROM FINISHED WALL TO C/L OF OUTLET.
 * DIMENSIONS SHOWN FOR LOCATION OF SUPPLY ARE SUGGESTED.
 SUPPLY NOT INCLUDED WITH FIXTURE AND MUST BE ORDERED SEPARATELY.

IMPORTANT: Dimensions of fixtures are nominal and may vary within the range of tolerance established by ANSI Standard A112.19.2. These measurements are subject to change or cancellation. No responsibility is assumed for use of superseded or voided pages.