

**Reliant® Chair Height  
Round Front Toilet with Seat**

**□ 726BA101**

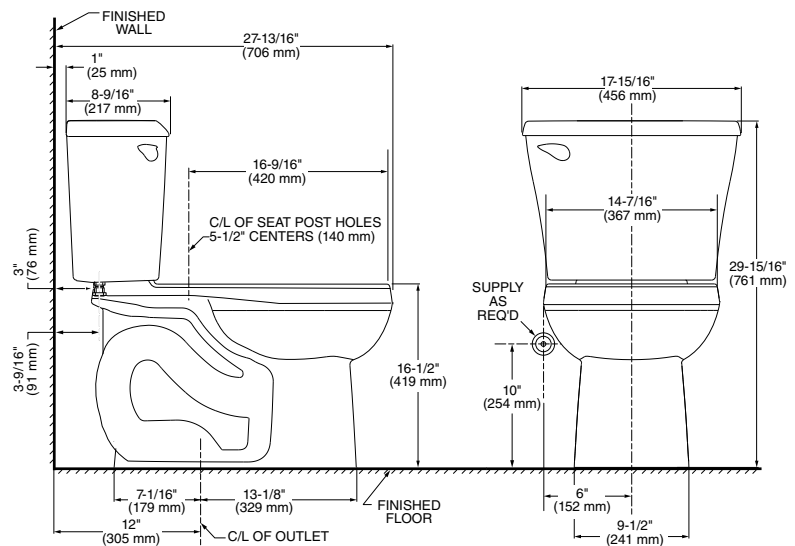
- Optimal flush Reliant toilet from American Standard
- Vitreous china
- High Efficiency Toilet (HET), ultra-low consumption (1.28 gpf/4.8Lpf), utilizes 20% less water and meets EPA WaterSense® Criteria
- 16-1/2" rim height for ADA accessible applications
- 12" (305 mm) rough-in
- Round Front siphon action bowl with direct-fed jet
- Generous 9" x 8" water surface area with PowerWash® rim that scrubs the bowl with each flush
- Fully glazed 2" trapway with 3" flush valve
- Includes Chrome finish trip lever
- Includes slow-close seat, floor bolts, wax ring, and color match bowl caps kit
- Lifetime warranty on chinaware, 2 year warranty on all mechanical parts, 1 year warranty on seat



**Nominal Dimensions:**

27-13/16" x 17-15/16" x 29-15/16"  
(706 x 456 x 761 mm)

Supply line sold separately



**Compliance Certifications -  
Meets or Exceeds the Following  
Specifications:**

- ASME A112.19.2-2008/CSA B45.1-08 for Vitreous China Fixtures
- US EPA WaterSense® Specification for HET's

**To Be Specified:**

- Color:  White
- Supply with stop:

**NOTES:**

THIS COMBINATION IS DESIGNED TO ROUGH-IN AT A MINIMUM DIMENSION OF 305MM (12") FROM FINISHED WALL TO C/L OF OUTLET.

\* DIMENSION SHOWN FOR LOCATION OF SUPPLY IS SUGGESTED. SUPPLY NOT INCLUDED WITH FIXTURE AND MUST BE ORDERED SEPARATELY.

**IMPORTANT:** Dimensions of fixtures are nominal and may vary within the range of tolerance established by ANSI Standard A112.19.2

These measurements are subject to change or cancellation. No responsibility is assumed for use of superseded or voided pages.



Meets B651-12 Barrier Free code. Check local codes.



Meets the American Disabilities Act Guidelines and ANSI A117.1 Requirements for the physically challenged.



EPA  
WATERSENSE®  
CERTIFIED



WATER  
EFFICIENT  
CERTIFIED

American Standard®, the American Standard logo and all associated product names are exclusively owned by AS America, Inc., and are registered or unregistered trademarks in the U.S. and internationally. © 2023 AS America, Inc. All rights reserved.