

**Reliant® Standard Height
Round Front Toilet with Seat**

726DA101

- Optimal flush Reliant toilet from American Standard
- Vitreous china
- High Efficiency Toilet (HET), ultra-low consumption (1.28 gpf/4.8Lpf), utilizes 20% less water and meets EPA WaterSense® Criteria
- 15" rim height
- 12" (305 mm) rough-in
- Round Front siphon action bowl with direct-fed jet PowerWash® rim that scrubs the bowl with each flush
- Fully glazed 2" trapway with 3" flush valve
- Sanitary dam on bowl with three point tank stabilization
- Includes Chrome finish trip lever
- Includes slow-close seat, floor bolts, wax ring, and color match bowl caps kit
- Lifetime warranty on chinaware, 2 year warranty on all mechanical parts, 1 year warranty on seat



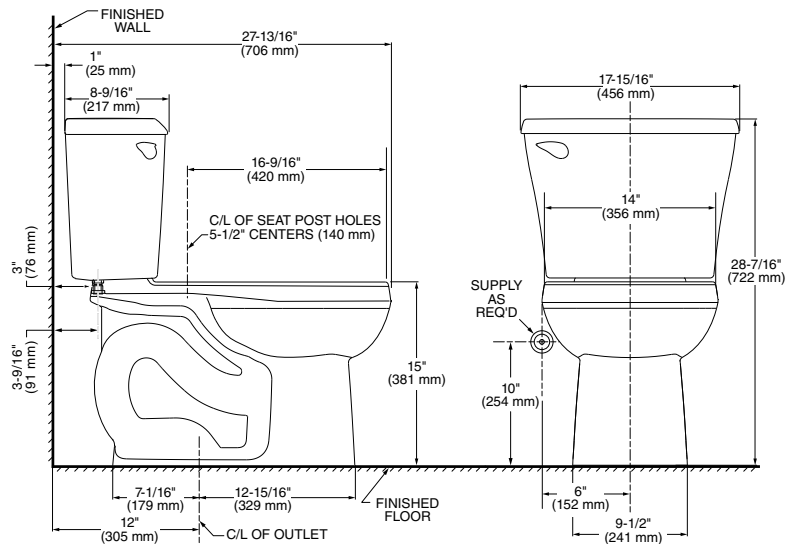
Nominal Dimensions:

27 13/16" x 17-15/16" x 28-7/16"
(706 x 456 x 722 mm)

Supply line sold separately

**Compliance Certifications -
Meets or Exceeds the
Following Specifications:**

- ASME A112.19.2-2008/CSA B45.1-08 for Vitreous China Fixtures
- US EPA WaterSense® Specification for HET's



To Be Specified:

- Color: White
- Supply with stop:

NOTES:
THIS COMBINATION IS DESIGNED TO ROUGH-IN AT A MINIMUM DIMENSION OF 305MM (12") FROM FINISHED WALL TO C/L OF OUTLET.
* DIMENSION SHOWN FOR LOCATION OF SUPPLY IS SUGGESTED. SUPPLY NOT INCLUDED WITH FIXTURE AND MUST BE ORDERED SEPARATELY.

IMPORTANT: Dimensions of fixtures are nominal and may vary within the range of tolerance established by ANSI Standard A112.19.2. These measurements are subject to change or cancellation. No responsibility is assumed for use of superseded or voided pages.



EPA
WATERSENSE®
CERTIFIED