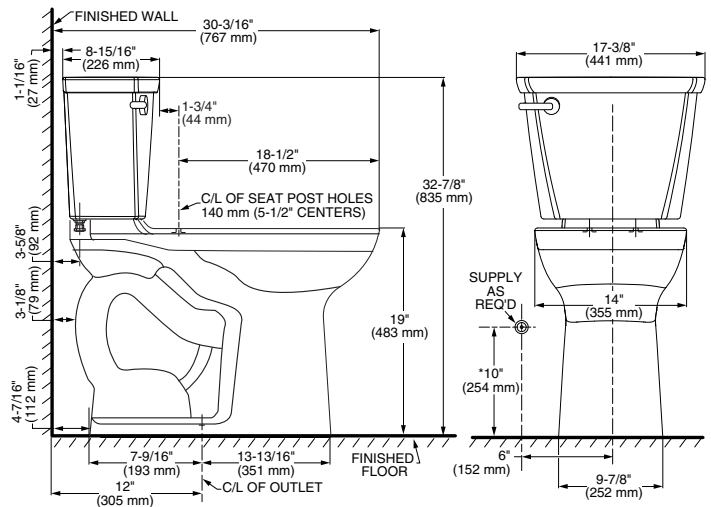


**Elevation Extra Tall Height
Elongated Toilet with Seat**

746TA101

- Vitreous china
- High Efficiency Toilet (HET), ultra-low consumption (1.28 gpf/4.8Lpf), utilizes 20% less water and meets EPA WaterSense® Criteria
- Includes Antimicrobial surface protection with EverClean® which inhibits the growth of stain and odor causing bacteria, mold, and mildew on the surface
- Extra-tall 19" bowl height: Provides added comfort and easy accessibility
- PowerWash® Rim Scrubs the bowl clean with every flush
- Elongated siphon action bowl with direct-fed jet
- 12" (305 mm) rough-in
- Fully glazed 2-1/8" trapway with 3" flapper flush valve
- Generous 9" x 8" water surface area helps prevent dirt from sticking to the bowl
- Includes Chrome finish trip lever
- Sanitary bar on bowl helps omit buildup of dust and dirt in the crevice between the tank and the bowl
- No tools required; EZ-Install Kit is included
- Includes slow-close seat, floor bolts, wax ring gasket with closet bolts, and color match bowl caps kit
- Warranty: Limited lifetime on chinaware, 5 years on mechanical parts, 1 year on seat



Nominal Dimensions:

30-3/16" x 16-11/16" x 33-3/16"
(767 x 424 x 843 mm)

Supply line sold separately

Compliance Certifications -

Meets or Exceeds the Following Specifications:

- ASME A112.19.2-2008/CSA B45.1-08 for Vitreous China Fixtures
- US EPA WaterSense® Specification for HET's

To Be Specified:

- Color: White
- Supply with stop:

NOTES:

THIS COMBINATION IS DESIGNED TO ROUGH-IN AT A MINIMUM DIMENSION OF 305MM (12") FROM FINISHED WALL TO C/L OF OUTLET.
* DIMENSION SHOWN FOR LOCATION OF SUPPLY IS SUGGESTED. SUPPLY NOT INCLUDED WITH FIXTURE AND MUST BE ORDERED SEPARATELY.

IMPORTANT: Dimensions of fixtures are nominal and may vary within the range of tolerance established by ANSI Standard A112.19.2. These measurements are subject to change or cancellation. No responsibility is assumed for use of superseded or voided pages.



American Standard®, the American Standard logo and all associated product names are exclusively owned by AS America, Inc., and are registered or unregistered trademarks in the U.S. and internationally. © 2023 AS America Inc. All rights reserved.