

SPECIFICATIONS:

- Vitreous china
- High efficiency toilet
- 4.8Lpf / 1.28Gpf
- Elongated bowl
- 17" Plus Height bowl with concealed trapway
- Siphon jet flush action
- Soft white trip lever
- Standard 12" rough-in
- Water surface: 8 $\frac{1}{4}$ " x 5 $\frac{7}{8}$ " (210mm x 151mm)
- Plastic smooth close toilet seat and floor mounting bracket included
- 100% factory flush tested

OVERALL DIMENSIONS:

17" (W) x 29 $\frac{1}{2}$ " (D) x 33 $\frac{1}{4}$ " (H)

431mm (W) x 749mm (D) x 844mm (H)

SHIPPING:

Cube 7.90

GW 110 lbs

COMPLIANCE CERTIFICATIONS:

Meets or exceeds the following specs:

- IAPMO cUPC
- ASME A112.19.2 / CSA B45.1-2008
- US EPA WaterSense
- ADA Guidelines & ANSI A117.1
- MaP tested 1000g

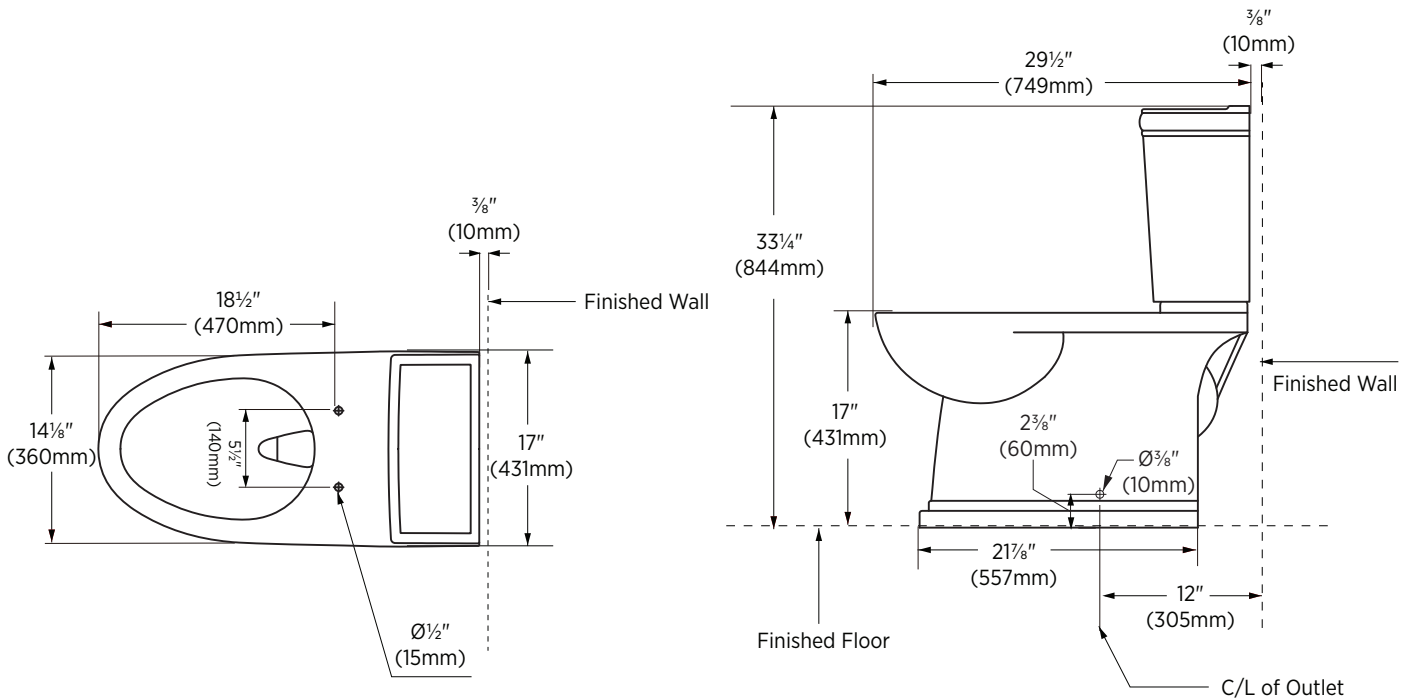


ITEM TO BE SPECIFIED:

SOFT WHITE:

TL-7227-WL (Lined Tank)

UPC: 721015423539



Notes:

Important: Dimensions of product are nominal and may vary within the range of tolerances allowed. These measurements are subject to change or cancellation. No responsibility is assumed for use of superseded or voided pages.