



NOTICE SH53RS - 3 Piece right hand model with seat shown

SH51L/R 1 Piece Shower without seat
 SH51LS/RS 1 Piece Shower with seat
 Size: 60 x 33.25 x 88" (152.4 x 84.5 x 223.5 cm)
 SH53L/R 3 Piece Shower without seat
 SH53LS/RS 3 Piece Shower with seat
 Size: 60 x 34.25 x 84.5" (152.4 x 87.0 x 214.6 cm)
 Left or Right is determined by plumbing



Product Features & Benefits

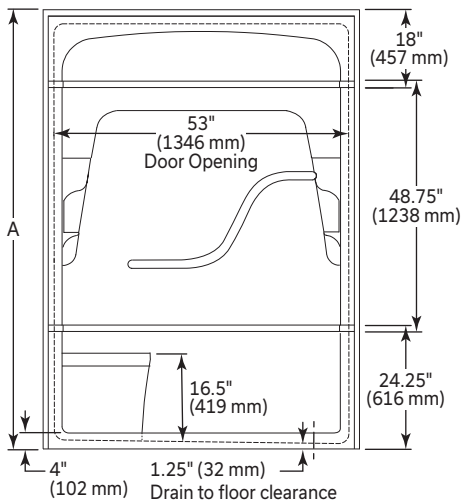
Shower

- Vacuum formed acrylic reinforced with fiberglass
- Scratch, stain and fade resistant high gloss finish
- 4 shelves
- Stainless steel grab bar 1¼" (32 mm) Dia. powder coated white and factory installed with concealed mounting
- Faster assembly with the "Snap-Fit" system (3 - pieces)
- FD2 chrome drain included
- Built in 1" (25 mm) tile flange on 3 sides
- Patterned bottom

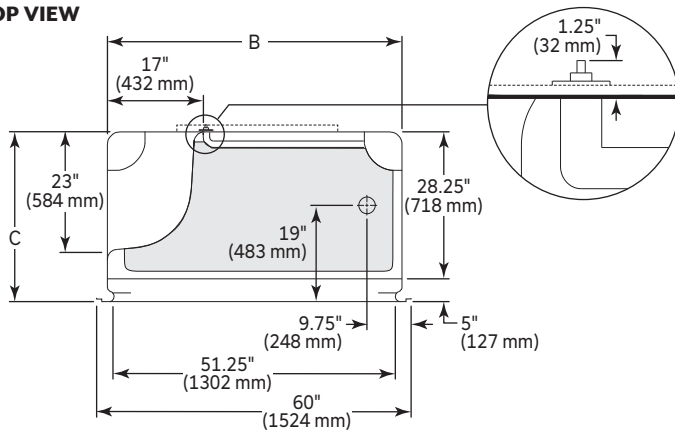
Optional Accessories

- Door(s) - Refer to price book / website for coordinating shower door options
- Dome Light
- Curtain Rod
- Matte black finish drains
- Flame Retardant drains

FRONT VIEW



TOP VIEW



	SH51L/R and SH51LS/RS		SH53L/R and SH53LS/RS	
A	88"	2235 mm	84½"	2146 mm
B	54"	1372 mm	55½"	1410 mm
C	33¼"	845 mm	34¼"	870 mm

General Specifications

Average Weight: 192 lb (87 kg)
 Drain Opening (dia.): 3.25" (83 mm)
 Drain to Floor Clearance: 1.25" (32 mm)

Compliance Certifications

Meets or Exceeds the following Specifications

- CSA B45.5/IAPMO Z124

NOTICE

- Drawings are not to scale. These measurements are subject to change at manufacturer's discretion.
- Dimensions of fixtures are nominal and may vary ± 0.25" (6 mm). Weight may vary ± 5 lb (2.3 kg).
- Please confirm measurements on actual product to ensure proper identification. Shower base to be installed on the floor supported by feet and front edge. Shim if required to level for adequate drainage. Refer to installation instructions for additional information.

© 2026 Masco Canada Limited
 350 South Edgeware Road, St. Thomas, ON N5P 4L1
 Telephone: 519-633-5050 Toll Free: 1-800-345-3358
 Customer Service: support@mirolin.com
 Telephone: 416-231-5790 800 MIROLIN (647-6546)
 Fax: 519-633-0777 1-800-567-9100

