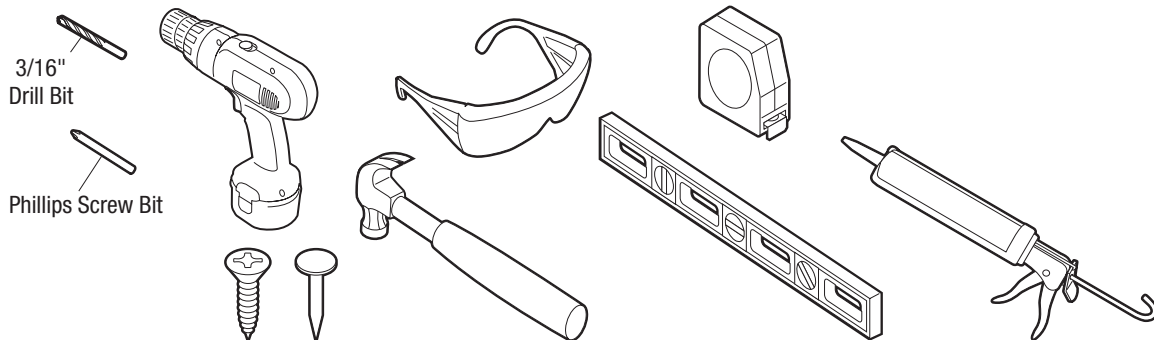


Olio Collection Installation Guide

141429 • 141431

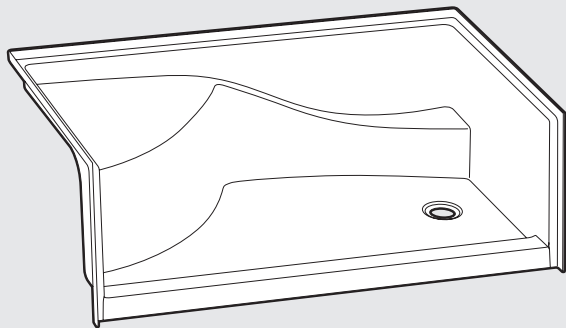
Read and follow all instructions prior to installing your Maax Bath fixture. Save these instructions for future reference. Failure to comply with these instructions may invalidate your warranty. For questions concerning installation and maintenance of your Maax Bath shower or tub/shower, contact Technical Services at 1-877-GET-MAAX (1-877-438-6229).

Tools Needed



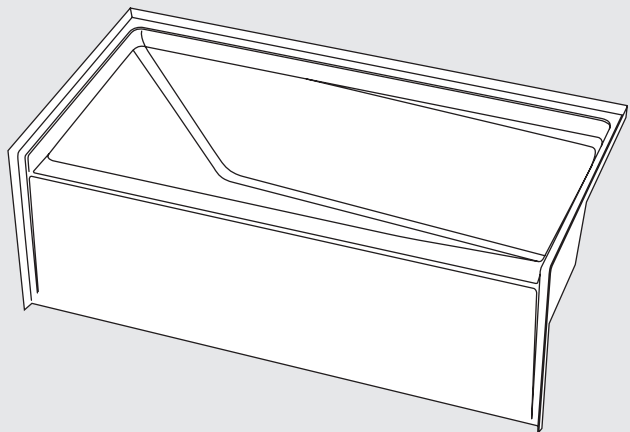
Items Included

OLIO 6030 PAN



Included – Shower Pan or Tub

OLIO 6030 BATHTUB



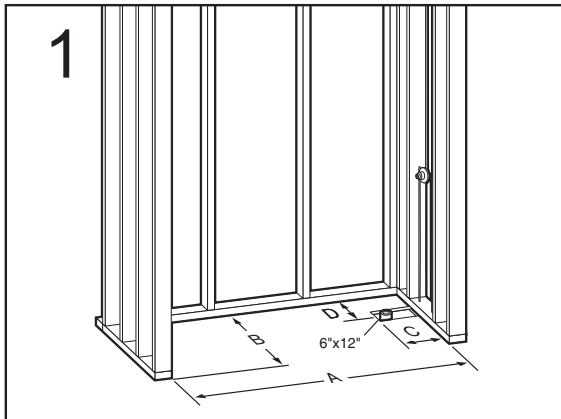
NOTICE: Please inspect the unit thoroughly before installation to make sure it has not been damaged during transportation. Under no circumstances should a damaged unit be installed. Neither Maax Bath nor the distributor will be responsible for removal or reinstallation costs should a replacement be necessary due to installation of a damaged unit.

Pre-Installation Planning

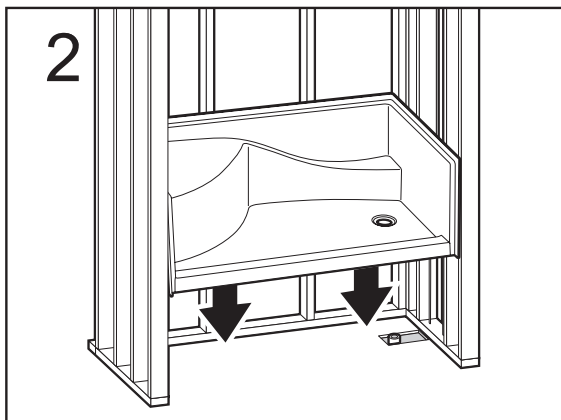
*Please read ALL installation instructions completely before beginning.

1. Review job print and Maax rough-in dimensions; verify all key dimensions against actual job conditions.
2. In remodeling, if necessary, add studs at each end to provide a vertical nailing surface for the side nailing flanges of bath fixture product.
3. Make sure framed-in framing pocket is of proper size, square and plumb; check floor for level. Some shimming between the stud frame and fixture may be required.
4. If fire-rated framing pocket is required, approved finish material must be in place prior to unit installation to meet fire safety requirements of local building code and/or FHA/HUD Minimum Property Standards.
NOTE: Finished framing pocket must have interior dimensions shown on rough-in diagram to permit installation of unit.
5. Foundation materials are not required for these units.
6. DO NOT install the product over open floor joist. Shimming may be required for additional support, if subfloor is uneven.
7. Tubs require a 6" x 12" floor opening for the 2" IPS drain connection (See diagram 1 for location). Shower pans require a 6" diameter floor opening. **NOTE: Be sure floor opening location matches left-hand or right-hand bath fixture drain location.**
8. Make sure all plumbing is complete and to code.
9. To avoid obstruction, make sure that supply lines and valve plumbing do not project into framing pocket during the installation process.
10. To prevent scuffing while installing unit, cover the floor of the unit with a piece of cardboard or other protective material.
11. Fasteners for:
Wood framing – 1 1/2" galvanized roofing nails or #10 x 1 1/2" self-tapping washer head screws.
Concrete or block walls – 1" concrete nails and nailing tool.
Steel studs (18 ga.) – drill flanges and studs with 5/32" carbide bit and use #12 x 1" sheet metal screws.

Pre-Installation Instructions



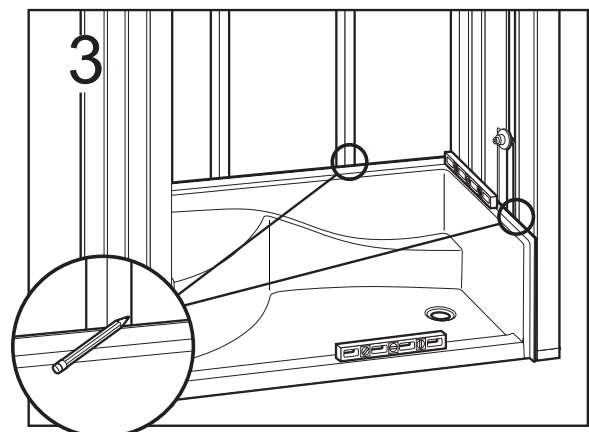
Check dimensions. **NOTE: If you're adding additional accessories such as a grab bar—additional framing or backing may be needed for support.** Pre-install unit to ensure framing pocket is plumb, square, and a level installation can be achieved. (See steps 2 and 3.) Adjust framing as needed – shim where necessary.



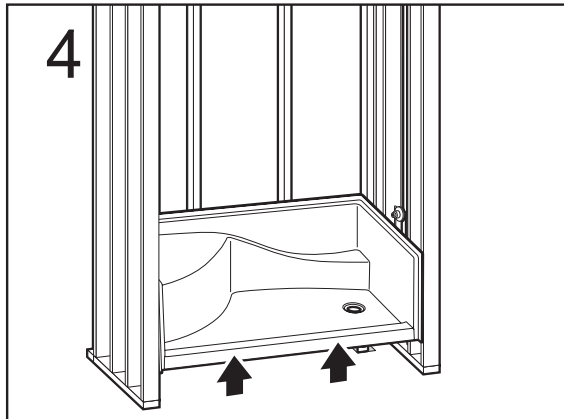
Lift and place the base into framing.

Models	A	B	C	D
OLIO 6030 PAN	60 1/8"	31 1/4"	8 1/2"	14 1/2"
OLIO 6030 BATHTUB	60 1/8"	31 1/4"	2"	13 3/8"

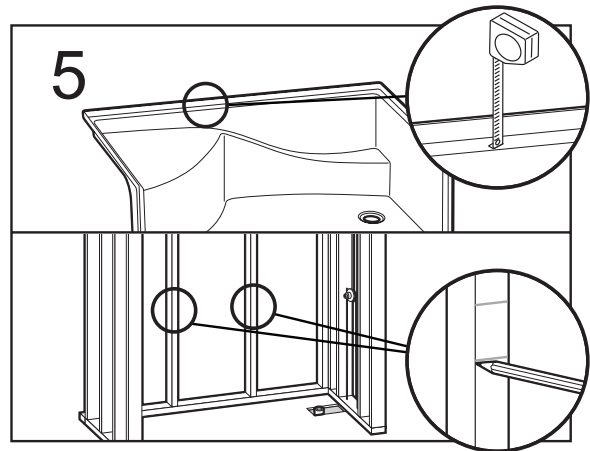
*Review Tech Data at maax.com for more detail. **NOTE: OLIO 6030 PAN is shown for illustrational purposes**



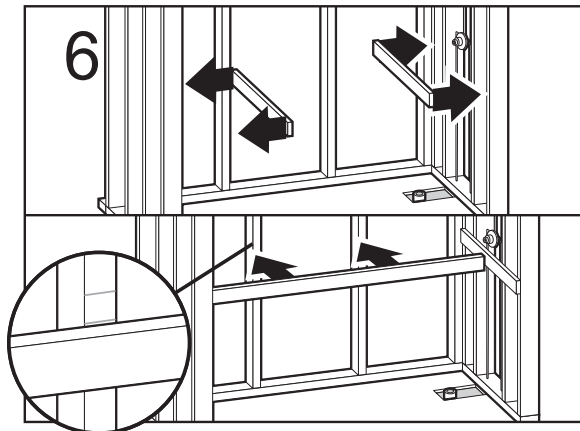
Level and mark all sides. Front apron should be firmly on the floor. **NOTE: If unit is not level, the joints and seams will not align properly.**



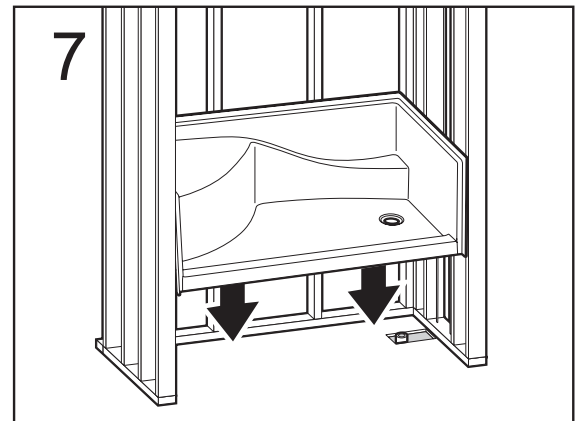
Remove base.



Measure the distance between the top of the back horizontal flange and the bottom of the pan ledge, approximately 1-1/2". Mark this dimension on the back studs (or wall), below the first mark.

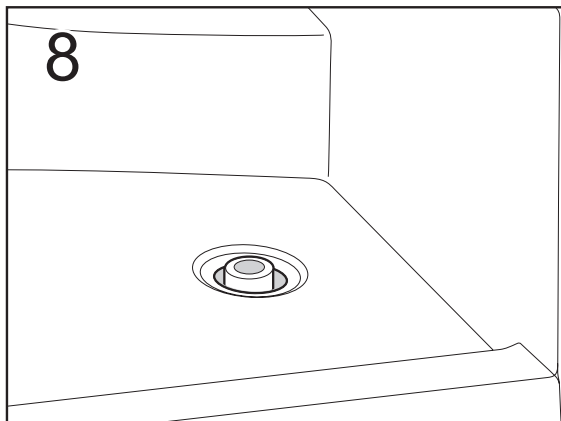


Fasten a 1" x 3" ledger strip along the rear and sides of framing (immediately below marks).

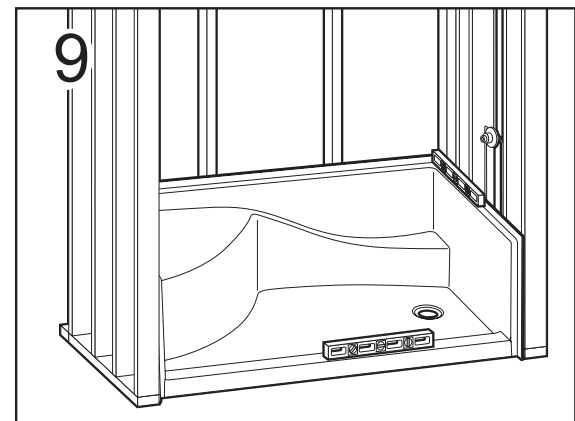


Install drain assembly per manufacturer's instructions. Place base into framing pocket.

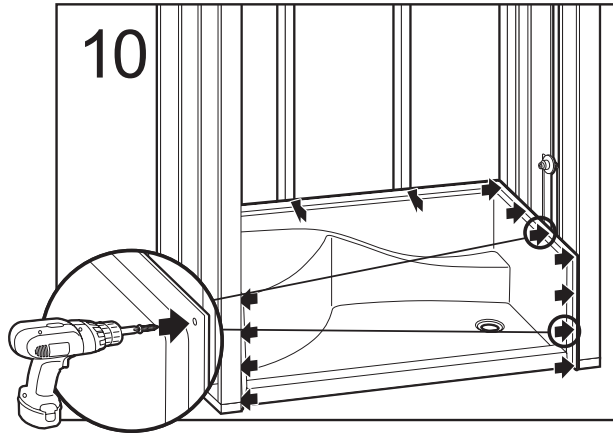
Installation Instructions



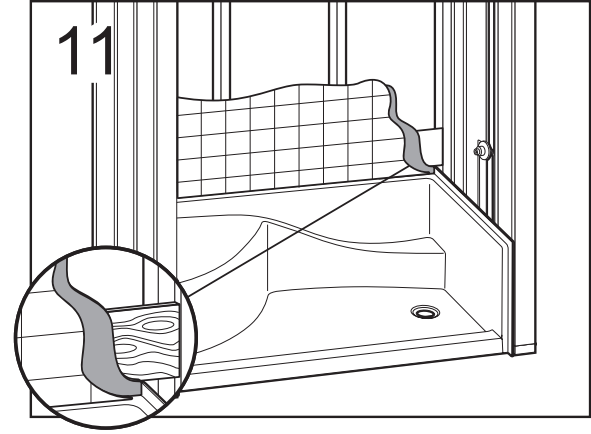
Assure waste pipe protrudes well into drain fitting. (pan install only)



Tap down until level. Level lengthwise and widthwise using 3 ft. (915mm) level by shimming, if necessary. The unit must be set level. Front apron should be firmly on the floor.



10 Pre-drill horizontal flanges along top of base section and fasten into each corresponding stud. Pre-drill both (vertical) side flanges and fasten to side studs 8" (200mm) on center. Place cardboard to protect finish.



11 When other than cementitious backer board plaster is to be used, furring strips as thick as nailing flanges are recommended for installation on studs above the installed unit to assure walls will be flush. 100% silicone sealant with mildew resistant properties should be applied between the backer board and horizontal surface of unit. Finishing of other trades should be done in conformance with applicable codes and general accepted building practices.

Clean-up

CAUTION: DO NOT USE heat or solvent based cleaning fluids. NOTE: Do not remove warranty/maintenance adhered label. Warranty/User maintenance label must be left for occupant (Required by ANSIZ124).

1. Prevent staining. Remove all debris before plumbing leak test. Drain and wipe clean immediately after the inspection process. Use sponge with warm water and liquid detergent. Rinse, drain and wipe clean. Do not use abrasive cleansers such as scouring powders, steel wool, metal scrapers, sandpaper or anything else that might mar, dull or scratch the finish. Roofing tar or paints may be removed with rubbing alcohol or paint thinner (not lacquer thinner).
2. Plaster and latex paint may be removed with warm water, liquid detergent and brittle brush or plastic scraper. Do not use metal scraper or utensil to remove plaster or paint from finish.

3. Dull areas and light scratches can be restored to high gloss with white or cream-colored automotive rubbing compound, followed by application of coat of good quality white automotive polish (or similar) and buff with a soft cloth. **DO NOT WAX** standing surfaces of the unit bottom (this includes textured, slip resistant standing surfaces), which could result in greater risk of slipping and personal injury.
4. Major gouges require professional repair.
5. See user maintenance label for more details.

User Maintenance Instructions

IMPORTANT! Use only recommended cleaners and procedures described herein. Use of other materials and methods may damage your bath fixture and void the warranty.

1. For normal cleaning, never use abrasive cleaners such as scouring powders or pads, steel wool, scrapers, sandpaper or anything else that could scratch or dull the surface of your Maax unit. Instead, use warm water and liquid detergents or non-abrasive cleansers, especially those bathroom cleansers recommended for fiberglass.
2. To keep your Maax bath fixture sparkling clean, apply a coat of good quality automotive paste wax or polish and buff to a high shine with a soft cloth or towel. Repeat every six months for easier cleaning and long lasting protection. **DO NOT WAX** standing surfaces of the unit bottom (this includes textured, slip resistant standing surfaces), which could result in greater risk of slipping and personal injury.
3. To restore a scratched or dull unit, use an automotive polishing compound applied with a clean cotton rag. Rub scratches and dull areas vigorously. Wipe off residues. Follow with automotive wax treatment described above. **DO NOT WAX** standing surfaces of the unit bottom (this includes textured, slip resistant standing surfaces), which could result in greater risk of slipping and personal injury.

4. To remove adhesive, try 3-M® natural cleaner, De-Solv-It® or similar materials. If residues remain, saturate small white cotton rag with nail polish remover and rub vigorously until the adhesive dissolves and disappears. These solvents are highly flammable and must be used sparingly and with caution. Do not allow solvent to go down the drain. Make sure not to contact plastic drain grates or other synthetic materials.
5. Rubber mats: If you use rubber "anti-skid" mat, make sure to remove it from the unit after each use to avoid harm to the surface finish.
6. Hard Water: Water in certain regions, if not wiped up after bathing/showering, may cause fading of some bath fixture colors. This is a natural occurrence beyond Maax's control. (See Warranty)

CAUTION: When using any cleaning or polishing materials, make sure to read and follow all package instructions carefully. Wear rubber gloves at all times and avoid contact with eyes, skin, clothing, rugs and furnishings. Make sure all residues are rinsed off thoroughly.