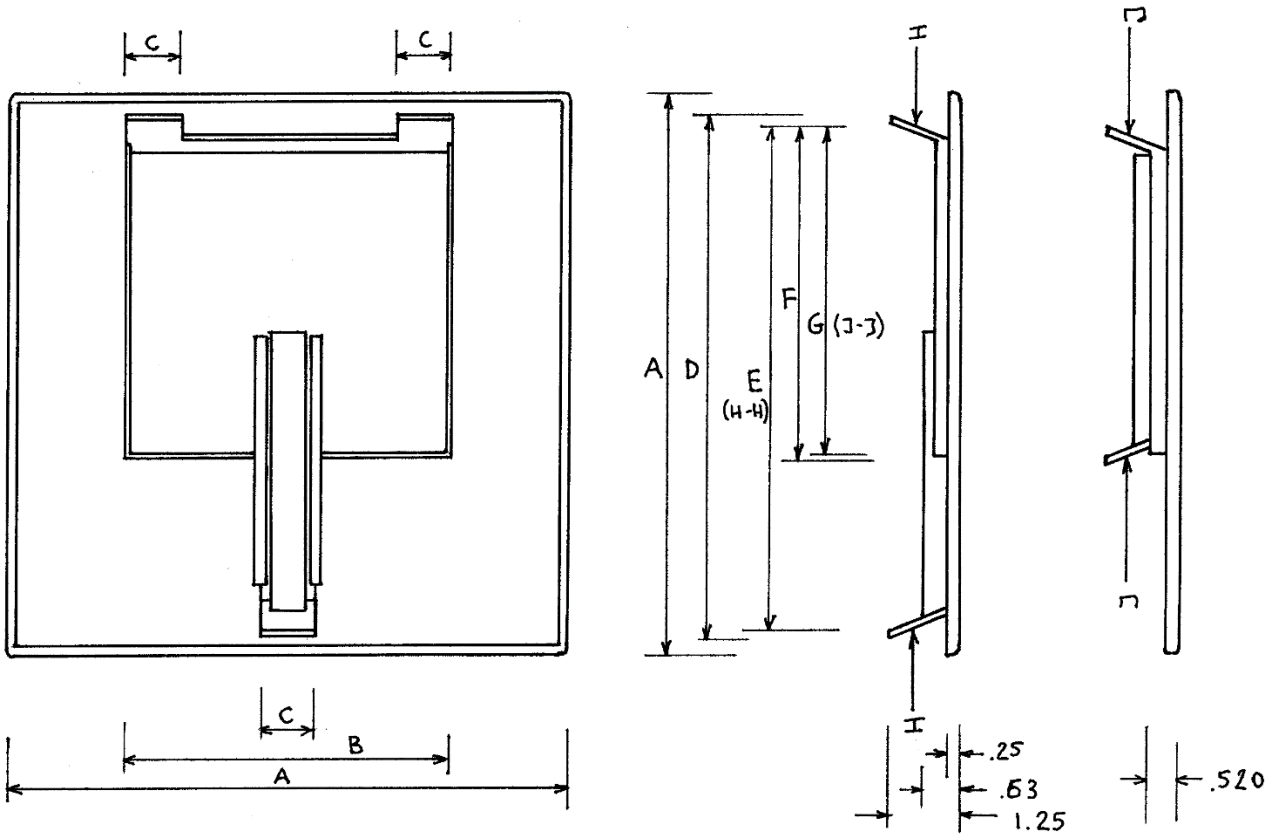


Maxess FlexFit

Non-rated Plastic Access Panel

For installations in walls and ceilings



CODE	SIZE	WEIGHT	A	B	C	D	E MAX OPENING SIZE (H-H)	F	G MIN. OPENING SIZE (J-J)	MIN. SPRING TENSION	MAX SPRING TENSION
APF 8	8"	½ LB	10" x 10"	6" x 6"	1"	9 ½"	8¾" x 8¾"	6"	6" x 6"	2 LB	5 LB
		230 G	254x254 MM	150x150 MM	25.4 MM	240 MM	220x220 MM	150 MM	150x150 MM	1000 G AT MAX OPENING	2500 G AT MIN OPENING
APF12	12"	1 LB	14" x 14"	10" x 10"	1"	13.5"	12¾" x 12¾"	10"	10" x 10"	2 LB	5 LB
		450 G	355x355 MM	254x254 MM	25.4 MM	343 MM	324x324 MM	254 MM	254x254 MM	1000 G AT MAX OPENING	2500 G AT MIN OPENING

MATERIAL: HIGH IMPACT STYRENE

FINISH: TEXTURED OUTER SURFACE

COLOR: WHITE

PROPERTY OF: NOVERA PRODUCTS INC.

www.noveraproducts.ca