

Mikah™ Technical Specification

18" Towel Bar

Y0718

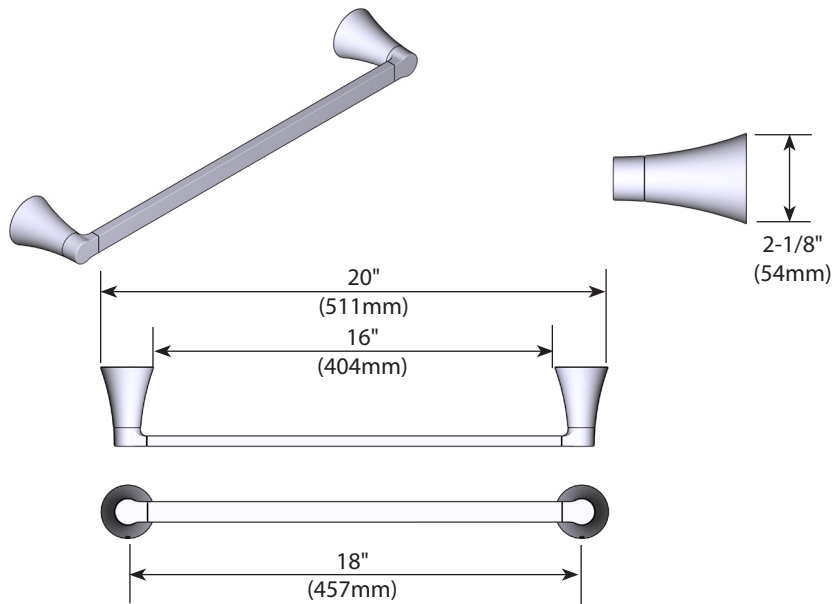
Stock Numbers:

- Y0718CH – Towel Bar
Chrome
- Y0718BN – Towel Bar
Brushed Nickel
- Y0718BL – Towel Bar
Matte Black
- Y0718BZG – Towel Bar
Bronzed Gold

Materials:

Towel Bar is constructed of zinc.

Dimensions:



Installation Instructions:

Tools Required: Phillips screwdriver, drill, 5/16" drill bit, hammer, level, tape
Hardware Kit Contents: 4 dry wall anchors, 4 wood/anchor screws, 1 plastic pin, 1 hex wrench.

Note: Directions below are for installation into drywall. If installing product into a stud, use the wood screws only.

1. Remove mounting plate from hardware pack.
2. Position the mounting plate on the wall at desired location with **"UP" facing you**. Mark hole locations.
3. Drill 2 holes as marked using 5/16" drill bit.
4. Fold ends of the plastic toggle anchor together and insert into each hole in the wall.
5. Lightly tap anchors until flush with the wall.
6. One at a time, insert plastic pin into each anchor and lightly tap to activate anchor. Remove pin and repeat on other anchor.
7. Place the mounting plate on the wall over the installed wall anchors with **"UP" facing you**.
8. Tighten screws.
9. Place decorative product over the mounting plate with setscrew facing down and tighten setscrew

Cleaning Instructions:

To preserve the fine finish of this product, clean only with a soft damp cloth. Dry well. Do not use commercial or abrasive cleaners.

Stock Number: Y0718 18" Towel Bar

25300 AL MOEN DRIVE • NORTH OLMSTED, OH 44070
CORPORATE HEADQUARTERS: (800) 321-8809 • FAX: (800) 848-6636
INTERNATIONAL: (440) 962-2000 • FAX: (440) 962-2726
CUSTOMER SERVICE (USA): 800-882-0116 • FAX: (888) 379-2720
WWW.MOEN.COM

© 2021 Moen Incorporated. Moen is a registered trademark and Mikah is a trademark of Moen Incorporated. All rights reserved.

MOEN®