

# Mikah™ Technical Specification

## Robe Hook

Y0703

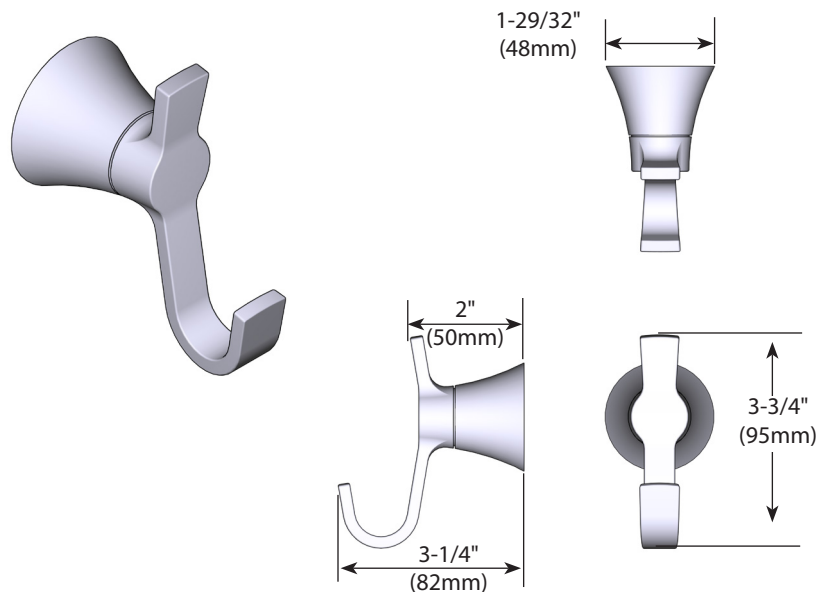
### Stock Numbers:

- Y0703CH – Robe Hook  
Chrome
- Y0703BN – Robe Hook  
Brushed Nickel
- Y0703BL – Robe Hook Matte  
Black
- Y0703BZG – Robe Hook  
Bronzed Gold

### Materials:

Robe Hook is constructed of zinc.

### Dimensions:



### Installation Instructions:

Tools Required: Phillips screwdriver, drill, 5/16" drill bit, hammer, level, tape  
Hardware Kit Contents: 2 anchors, 1 hex wrench.

Note: Directions below are for installation into drywall. If installing product into a stud, use the wood screws only.

1. Remove mounting plate from hardware pack.
2. Position the mounting plate on the wall at desired location with **"UP"** facing you.  
Mark hole locations.
3. Drill 2 holes as marked using 5/16" drill bit.
4. Fold ends of the plastic toggle anchor together and insert into each hole in the wall.
5. Lightly tap anchors until flush with the wall.
6. One at a time, insert plastic pin into each anchor and lightly tap to activate anchor.  
Remove pin and repeat on other anchor.
7. Place the mounting plate on the wall over the installed wall anchors with **"UP"** facing you.
8. Tighten screws.
9. Place decorative product over the mounting plate with setscrew facing down and tighten setscrew

### Cleaning Instructions:

To preserve the fine finish of this product, clean only with a soft damp cloth.  
Dry well. Do not use commercial or abrasive cleaners.

**Stock Number:** Y0703 Robe Hook

25300 AL MOEN DRIVE • NORTH OLMSTED, OH 44070  
CORPORATE HEADQUARTERS: (800) 321-8809 • FAX: (800) 848-6636  
INTERNATIONAL: (440) 962-2000 • FAX: (440) 962-2726  
CUSTOMER SERVICE (USA): 800-882-0116 • FAX: (888) 379-2720  
WWW.MOEN.COM

© 2021 Moen Incorporated. Moen is a registered trademark and Mikah is a trademark of Moen Incorporated. All rights reserved.

**MOEN**®