

Mikah™ Technical Specification

Pivoting Paper Holder

Y0708

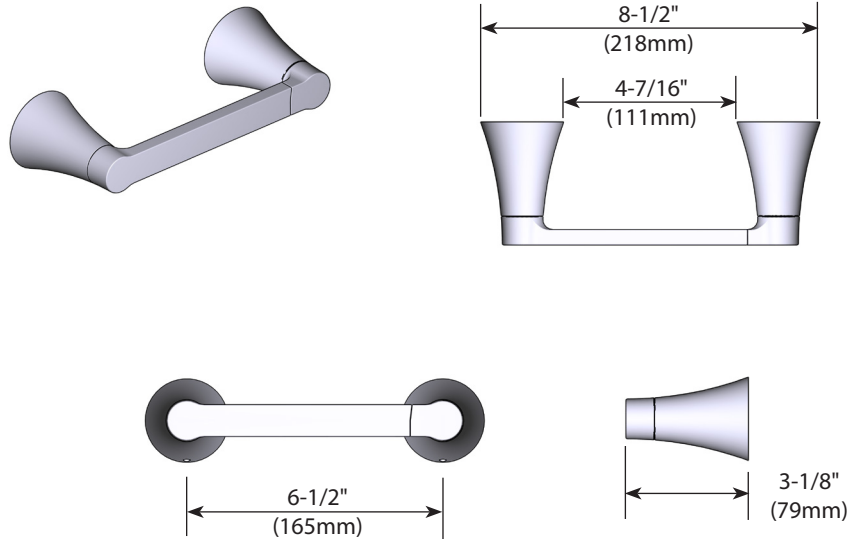
Stock Numbers:

- Y0708CH – Pivoting Paper Holder Chrome
- Y0708BN – Pivoting Paper Holder Brushed Nickel
- Y0708BL – Pivoting Paper Holder Matte Black
- Y0708BZG – Pivoting Paper Holder Bronzed Gold

Materials:

Paper Holder is constructed of zinc.

Dimensions:



Installation Instructions:

Tools Required: Phillips screwdriver, drill, 5/16" drill bit, hammer, level, tape
Hardware Kit Contents: 4 dry wall anchors, 4 wood/anchor screws, 1 plastic pin, 1 hex wrench.

For Drywall Installation follow the below steps:

- 1) Position the mounting template on the wall in the desired location.
- 2) Using a level, align the template and tape it to the wall.
- 3) Drill four 5/16" holes at each mounting post location for plastic toggle anchors that corresponds to your product.
- 4) Remove the template from the wall.
- 5) Fold ends of the plastic toggle together and insert into each hole in the wall.
- 6) One at a time, insert plastic pin into each of the anchors and lightly tap to activate anchor. Remove pin and repeat on all anchors.
- 7) One at a time, place each mounting plate over anchors (with arrow pointing up) and insert screws through post into anchors.
- 8) Tighten screws.
- 9) Assemble decorative product if necessary and place over mounting post(s) with set screw(s) facing down.
- 10) Tighten setscrew

Cleaning Instructions:

To preserve the fine finish of this product, clean only with a soft damp cloth. Dry well. Do not use commercial or abrasive cleaners.

Stock Number: Y0708 Pivoting Paper Holder

25300 AL MOEN DRIVE • NORTH OLMSTED, OH 44070
CORPORATE HEADQUARTERS: (800) 321-8809 • FAX: (800) 848-6636
INTERNATIONAL: (440) 962-2000 • FAX: (440) 962-2726
CUSTOMER SERVICE (USA): 800-882-0116 • FAX: (888) 379-2720
WWW.MOEN.COM

© 2022 Moen Incorporated. Moen is a registered trademark and Mikah is a trademark of Moen Incorporated. All rights reserved.

MOEN®