

#### LIMITED WARRANTY - DRILL PUMPS:

Manufacturer warrants that the products specified in this warranty are free from defects in material or workmanship for ninety (90) days from date of purchase. During the time period and subject to the terms and conditions, Manufacturer will repair or replace to the original user or consumer any portion of this product which proves to be defective due to materials or workmanship. At all times Manufacturer shall have and possess the sole right and option to determine whether to repair or replace defective equipment, parts, or components. Manufacturer has the option to inspect any product returned under warranty to confirm that the warranty applies before repair or replacement under warranty is approved. This warranty sets forth Manufacturer's sole obligation and purchaser's exclusive remedy for defective product. Return defective product to the place of purchase or postpaid to Manufacturer, Attn: Warranty Dept., 2301 Traffic Street N.E., Minneapolis, MN 55413 for warranty consideration.

#### WARRANTY PERIOD - PRODUCTS:

If, within the duration of product use by the original user, this product proves to be defective due to materials or workmanship, the product shall be repaired or replaced at Manufacturer's option, subject to the terms and conditions set forth in this warranty statement. Proof of purchase is required for warranty consideration. In the absence of suitable proof of the purchase date, the effective period of this warranty is 12 months from the product's date of manufacture.

#### LABOR, ETC. COSTS:

Manufacturer shall IN NO EVENT be responsible or liable for the cost of field labor or other charges incurred by any customer in removing and/or affixing any product, part, or component thereof.

#### PRODUCT IMPROVEMENTS:

Manufacturer reserves the right to change or improve its products or any portions thereof without being obligated to provide such a change or improvement for units sold and/or shipped prior to such change or improvement.

#### GENERAL TERMS AND CONDITIONS:

This warranty shall not apply to damage due to acts of God, normal wear and tear, normal maintenance services and the parts used in connection with such service, lightning or conditions beyond the control of Manufacturer, nor shall it apply to products which, in the sole judgment of Manufacturer, have been subject to negligence, abuse, accident, misapplication, tampering, alteration; nor due to improper installation, operation, maintenance or storage; nor to excess of recommended maximums as set forth in the instructions. Warranty will be VOID if any of the following conditions are found:

1. Product is used for purposes other than those for which it was designed and manufactured
2. Product not installed in accordance with applicable codes, ordinances, and good trade practices
3. Product connected to voltage other than indicated on nameplate
4. Pump exposed to but not limited to the following: sand, gravel, cement, grease, plaster, mud, tar, oil, gasoline, solvents or other abrasive or corrosive substances
5. Pump has been used for pumping liquids above 120°F
6. Pump allowed to operate dry (liquid supply cut off)

#### DISCLAIMER:

Any oral statements about the product made by the seller, Manufacturer, the representatives, or any other parties do not constitute warranties, shall not be relied upon by the user, and are not part of the contract for sale. Seller's and Manufacturer's only obligation, and buyer's only remedy, shall be the replacement and/or repair by Manufacturer of the product as described above. NEITHER SELLER NOR MANUFACTURER SHALL BE LIABLE FOR ANY INJURY, LOSS OR DAMAGE, DIRECT, INCIDENTAL OR CONSEQUENTIAL (INCLUDING, BUT NOT LIMITED TO, INCIDENTAL OR CONSEQUENTIAL DAMAGES FOR LOST PROFITS, LOST SALES, INJURY TO PERSON OR PROPERTY, OR ANY OTHER INCIDENTAL OR CONSEQUENTIAL LOSS), ARISING OUT OF THE USE OR THE INABILITY TO USE THE PRODUCT, AND THE USER AGREES THAT NO OTHER REMEDY SHALL BE AVAILABLE TO IT. Before using, the user shall determine the suitability of the product for his/her intended use, and user assumes all risk and liability whatsoever in connection therewith.

THE WARRANTY AND REMEDY DESCRIBED IN THIS LIMITED WARRANTY IS AN EXCLUSIVE WARRANTY AND REMEDY AND IS IN LIEU OF ANY OTHER WARRANTY OR REMEDY, EXPRESSED OR IMPLIED, WHICH OTHER WARRANTIES AND REMEDIES ARE HEREBY EXPRESSLY EXCLUDED, INCLUDING BUT NOT LIMITED TO ANY IMPLIED WARRANTY OF MERCHANTABILITY OR FITNESS FOR A PARTICULAR PURPOSE, TO THE EXTENT EITHER APPLIES TO A PRODUCT SHALL BE LIMITED IN DURATION TO THE PERIODS OF THE EXPRESSED WARRANTIES GIVEN ABOVE.

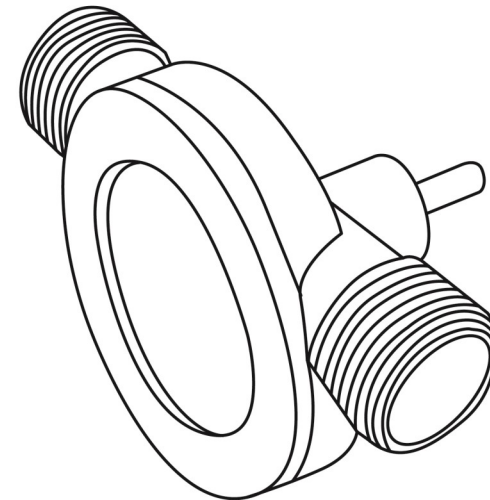
Some states and countries do not allow the exclusion or limitations on how long an implied warranty lasts or the exclusion or limitation of incidental or consequential damages, so the above exclusion or limitations may not apply to you. This warranty gives you specific legal rights, and you may also have other rights which vary from state to state.



## **INSTALLATION & OPERATION MANUAL**

# **DRILL PUMP**

**Model: 90065**



[superiorpump.com](http://superiorpump.com)

## Safety Guidelines

Carefully read, understand and follow all safety instructions in this manual.

**!** This is the safety alert symbol. When you see this symbol, look for one of the following signal words.

**⚠ DANGER** Indicates a hazardous situation which, if not avoided, will result in death or serious injury.

**⚠ CAUTION** Indicates a hazardous situation which, if not avoided, could result in death or serious injury.

**⚠ WARNING** Indicates a hazardous situation which, if not avoided, could result in minor or moderate injury.

## Safety Information

Read these warnings carefully. Know the application and limitations of this pump. Failure to follow these warnings could result in serious bodily injury and/or property damage.

**⚠ DANGER** Fire hazard. Never pump gasoline or other volatile or flammable liquids with this unit.

**⚠ DANGER** Follow all safety precautions recommended by the manufacturer of the electric drill\*.

**⚠ WARNING** Use 3-wire grounded cord or double insulated drill.

**⚠ WARNING** Keep drill\*, hands and feet dry.

**⚠ WARNING** Disconnect the electric drill\* before attempting to service the drill pump.

**⚠ CAUTION** Provide a means of pressure relief in case the discharge line is shut off or obstructed.

**⚠ CAUTION** Always check hoses before using the pump. Replace if worn or weak.

**⚠ CAUTION** Always check all connections for tightness before using the pump.

**NOTICE** The suction tubing should be as short as possible, kink free, and non-collapsible. Be sure inlet line is air tight.

**NOTICE** Do not run pump dry.

## Product Use

Remove non explosive or corrosive liquid from sinks, tanks, water heaters, small pools, aquariums, etc. Drill pump is designed to work with most power drills\* rated at 1200 RPM.

Model #	Max Liquid Temp	Drill RPM	Suction/ Discharge	Construction	Drive Shaft	Max Flow Rate**
90065	120	1200	3/4" GHT	Thermoplastic	Corrosion Resistant Steel	225 GPH

\*Not Included \*\*Tested at 1200 RPM at 0 FT. Head

**⚠ DANGER** Always disconnect drill\* from power source and remove drill pump from drill\* before attempting to install, service or perform maintenance. If the power source is out of sight, lock and tag in the off position to prevent unintended power application. Failure to do so could result in fatal electric shock. All wiring should be performed by a qualified electrician.

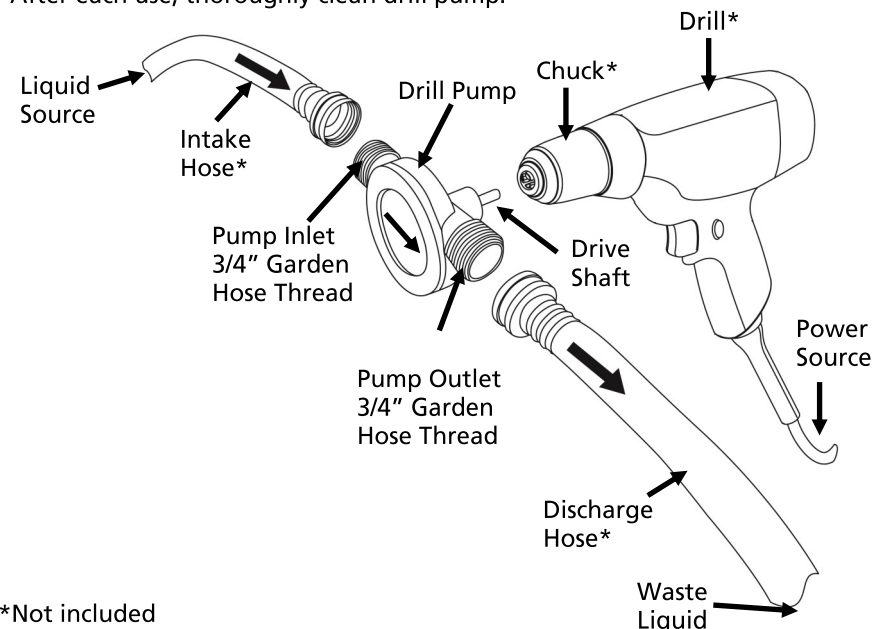
**NOTICE** Do not run the pump dry. The pump housing must be filled with liquid during operation. Running the pump dry will cause damage and result in premature failure of the pump. Running the pump dry will also void the warranty.

## PIPING

1. The inlet and discharge ports are 3/4" garden hose thread. **NOTE:** Standard garden hose\* may collapse under suction pressure. To reduce the possibility of hose collapse, use of a reinforced garden hose\* on the pump inlet is recommended.

## INSTALLATION AND OPERATION

1. Insert the drill pump drive shaft into the chuck of the drill\*. Lock the chuck to secure the drive shaft to the drill\*.
2. Attach the intake and discharge hoses\* to the standard 3/4-inch male garden hose fittings on either side of the drill pump.
3. Place the hose\* attached to the intake side of the drill pump into liquid source.
4. Extend the discharge hose\* of the drill pump to desired waste location.
5. Plug drill\* into grounded power outlet (GFCI is recommended).
6. With drill\* in the forward position (spinning clockwise) depress the trigger of the drill\* to start pumping the nonflammable/noncorrosive fluid with the drill pump. **NOTE:** If pump fails to prime and start pumping, unplug drill\* from power source, fill intake hose with liquid and then restart process.
7. During pumping, make sure that the intake hose\* remains in fluid the entire time that you are using the drill pump to avoid suction loss. Do not run pump dry.
8. Reverse all steps to stop pumping and to remove the drill pump from drill\*.
9. After each use, thoroughly clean drill pump.



\*Not included