



Reversible **PRO-FIT DOOR PAK**

Installation Instructions on Reverse Side

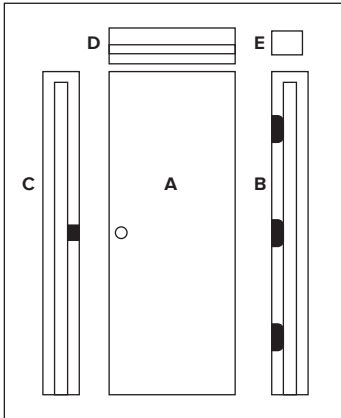


Fig. 1: Components of a Flush Interior Door Pak

STEP 1, Components

Before starting, please check unit for the following:

- a) Flush interior door (pre-machined for a 2-3/4" backset).
- b) Hinge-side jamb with doorstop loose.
- c) Lock-side jamb with doorstop loose, morticed for the strike plate.
- d) Header with doorstop loose.
- e) One box containing chrome hinges.

Note: Rough opening should be 2" wider than door width and 2" higher than door height.

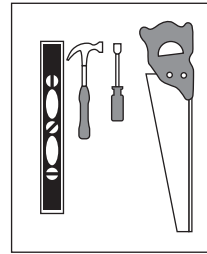


Fig. 2: Tools

STEP 2, Tools

All you need is a hammer, screwdriver, and level or plumb line. It's easy!

For retrofit installations, you may need a handsaw. See Step 6.

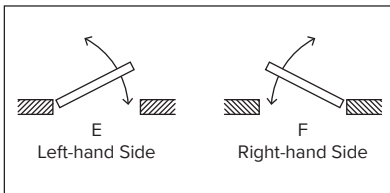


Fig. 3

STEP 3

Withdraw hinge pins from hinges, attach the 5/8" radius leaf to the jamb. Determine the opening direction of the door (Fig. 3) when placing the door against the hinged jamb. Will the door open on the left-hand side (E), or the right-hand side (F).

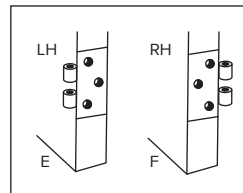


Fig. 4A, panel door

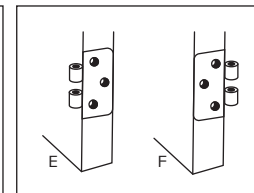


Fig. 4, flush door

STEP 4

Once you have determined the swing of the door, screw the hinges onto the door. For panel door (Fig. 4A) For flush door (Fig. 4)

STEP 5
Assemble Door Frame

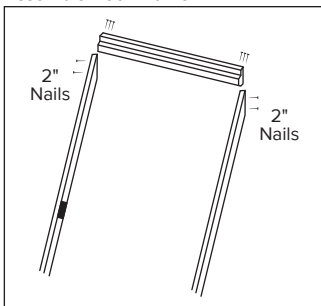


Fig. 6: Nail Header to Side Jambs

NOTE: Before assembly, predrill frame for easy nailing and to eliminate the possibility of the header splitting. Pilot holes should be slightly smaller (1/64") than a nail, and deeper.

Place the door frame jamb components on the floor (Fig. 6). Confirm that the strike mortice on the lock side jamb is correct for the door swing you have determined. Nail the header to the side jambs with 2" finishing nails.

STEP 6
Install Frame into Rough Opening

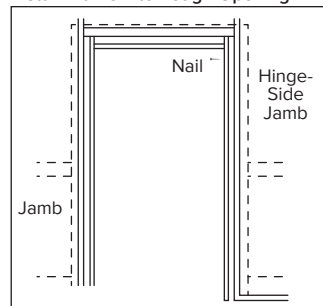


Fig. 7: Install Frame into Rough Opening

Position the assembled frame into the rough opening, double-checking that you have the correct door swing. Using a 2-1/2" finishing nail, tack the hinge-side frame in place at the top of the jamb (Fig. 7).

Keep the same distance at the bottom with a strip of wood (not supplied) same width as the top and tack on temporarily to both sides.

STEP 6
(continued)

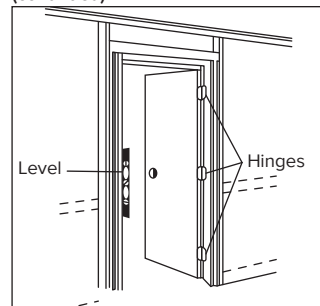


Fig. 8: Hang Door and Adjust Door Swing

Install the door onto the hinges and insert the hinge pins. With a level, adjust the frame so that it is exactly vertical and tack a second nail at the bottom of the hinge jamb. Swing the door carefully to obtain the desired 1/8" gap between the door and frame (Fig. 8).

STEP 7
Shim & Nail Perimeter of Frame

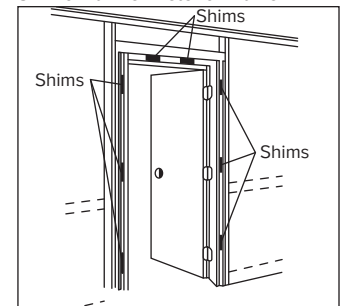


Fig. 9

Once the door is swinging smoothly, shim and nail the perimeter of the frame with 2-1/2" finishing nails. Nail through shims into wall studs (Fig. 9).

Install door stop on the lock side of jamb when the door is closed.

You are now ready to give the final touch to your door by installing the casing, the lockset, and by applying the desired finish.

IMPORTANT NOTICE

Attention Consumer:

- 1) Doors and bifolds must always be stored flat in clean, dry surroundings. When stored on concrete, poly or cardboard must be laid down first.
- 2) Doors and bifolds must be sealed with non-water based sealer or primer on the 6 sides within 48 hours of delivery.
- 3) Doors and bifolds should not be exposed to excessive moisture, heat, dryness, or direct sunlight.