

# How To Install Your Fire Guard™ Suspended Ceiling Panels

## IMPORTANT INFORMATION:

Your Armstrong® Fire Guard™ Suspended ceiling panels and the Prelude® Fire Guard™ Grid System must be used together to comply with applicable UL fire-resistant ceiling assembly requirements.

**NOTE: See UL Fire Resistance Directory for details or specific installation requirements.**

- Use #12 or heavier gauge galvanized steel hanger wire to suspend the grid system.
- Armstrong® Fire Guard™ Ceiling Panels and Prelude Fire Guard™ ceiling components carry the Underwriters' Laboratories, Inc., label and qualify for use in 3/4-, 1-, 1-1/2-, 2-, or 3-hour fire-resistant-rated assemblies.
- Penetrations for lights and air ducts must be within the limitations as stipulated within the applicable Underwriters' Laboratories, Inc. design listing.

## SAFETY TIPS:

- See warning statements elsewhere on this document.
- Work Site Environment: During installation, adequate ventilation of the work area should be maintained without causing the entry of contaminants to other parts of the building.
- Safety glasses and gloves are recommended to be worn during installation. Metal grid components can be sharp.
- When working overhead, make sure your work area is clear of obstructions and that your ladder is stable.

## 3 EASY STEPS TO INSTALL OUR FIRE GUARD™ CEILING SYSTEM

**STEP  
1**

### INSTALL WALL MOLDING AND HANGER WIRES

#### Install Wall Molding

- At desired ceiling height, install steel angle molding along perimeter walls and columns; use metal fastener best suited to wall construction, spacing fasteners maximum 16" on center.

#### Install Hanger Wires

- Lay out ceiling to permit largest possible border-unit size.
- Attach guide strings to wall 1/2" below desired ceiling height to mark location of border units. Keep lines exactly perpendicular.
- Bend hanger wire 6" and attach to fasteners, wrapping securely around itself 3 times.
- Using the guide string parallel to direction of the main beams as a reference, attach #12 or heavier gauge galvanized steel hanger wires to structure above. Space hanger wires 4' on center in each direction.

**NOTE:** Additional hanger wires may be required, depending on your layout, to meet code requirements.

**STEP  
2**

### Install Main Beams and Cross Tees

#### Trim the Main Beam

- Trim end of first main beam, aligning a cross tee slot on main beam with cross tee guide string.

**NOTE:** Code may require hanger wires to be attached within 3" of either side of an expansion joint in a fire rated main beam. **TIP:** Positioning the end of a main beam with an expansion notch within 3" of an installed hanger wire will reduce the amount of additional hanger wires that are needed to meet code.

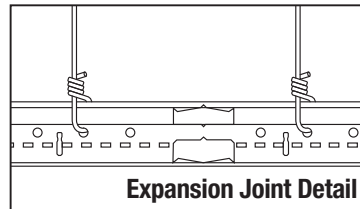
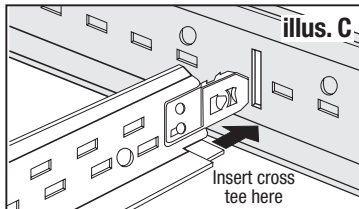
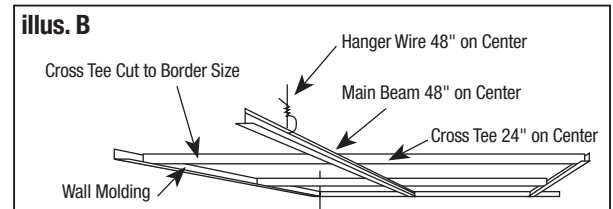
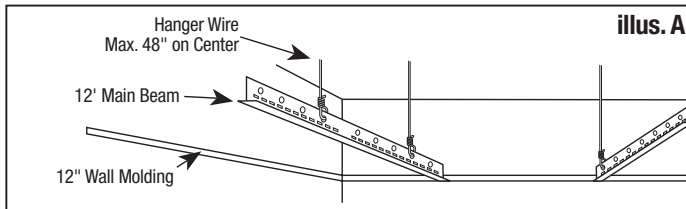
#### Install and Level Main Beams

- Install first main beam at guide string, trimmed end on wall molding and other end hung on prebent wire. **(illus. A)**
- To span room, connect main beam ends (male– female connection). Support main beams with wires every 4'.
- Hang all main beams at 4' intervals. **(illus. B)**
- Insert all hanging wires into main beam support holes. Adjust height using a level.
- Twist wires securely around themselves 3 times.

# How To Install Your Fire Guard™ Suspended Ceiling Panels

## Install Cross Tees

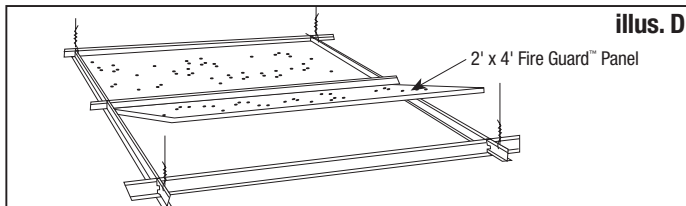
- Trim end of a 4' tee so it reaches from the main beam to the side wall.
- Insert the uncut end of the tee into the cross tee slot on the main beam; the cut end will rest on the molding. **(illus.C)**
- Complete the row of cross tees to the other side wall, cutting the last tee again to rest on the molding.
- Repeat to install all 4' cross tees between main beams at 2' intervals.
- If the system is 2' x 2', install additional tees at midpoint of 4' cross tees to create a 2' x 2' grid.
- Remove guide strings.



## STEP 3

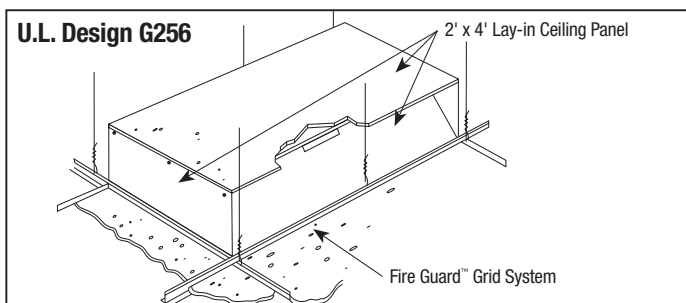
## INSTALL CEILING PANELS

- Install Fire Guard™ Suspended Ceiling Panels, resting flanges on the grid. Cut border panels to a snug fit **(illus. D)**.



## How to Protect Recessed Lights and Diffusers

- Here is one option for protecting recessed lights and diffusers: Use cut Fire Guard ceiling panels to box in the lighting system as shown.
- See UL Fire Resistance Directory for complete details



# How To Install Your Fire Guard™ Suspended Ceiling Panels



For additional information on installing Fire Guard™ ceilings, including special installation tips, please visit our website at [ceilings.com](http://ceilings.com) or call customer service at 1-877-ARMSTRONG (276-7876).

## LIMITED WARRANTY

For warranty information, please visit [ceilings.com](http://ceilings.com)



## DANGER!

**THIS PRODUCT CONTAINS BOUND CRYSTALLINE SILICA WHICH MAY BE RELEASED UPON SAWING, SANDING OR MACHINING**

**Hazard Statements:** Causes skin irritation. Causes eye irritation. May cause damage to lungs through prolonged or repeated exposure. May cause respiratory irritation. Panels do not release respirable dust in their installed state and do not present any known health hazards when installed and properly maintained. ⚠️ **WARNING:** This product can expose you to crystalline silica, which is known to the State of California to cause cancer. For more information go to [www.P65Warnings.ca.gov](http://www.P65Warnings.ca.gov).

**Precautionary Measures:** During the installation, be certain that the work site is well ventilated and avoid breathing dust. Avoid contact with skin or eyes. Wear long-sleeve, loose fitting clothes, gloves, and eye protection. Cut and trim with knife, razor, or hand saw. Do not cut with power equipment unless either a dust collector is used on the equipment or local exhaust is adequate and a NIOSH approved respirator is worn to prevent overexposure to airborne crystalline silica. **For additional information, refer to the Safety Data Sheet at [www.armstrongceilings.com](http://www.armstrongceilings.com).**

**First Aid Measures:** If eye or skin contact occurs, flush with plenty of water for at least 15 minutes and remove contaminated clothing. After installing material, wash with warm water and mild soap. Wash work clothes separately from other clothing. Rinse washer thoroughly.

Armstrong World Industries, Inc. 2500 Columbia Ave, Lancaster, PA 17603; 255 Montpelier Boul. Quebec N4N2G3 1-877-276-7876