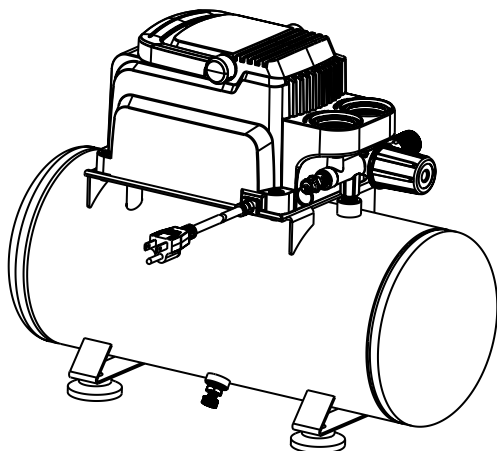


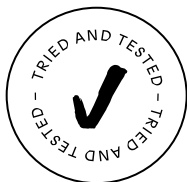
Radley®

3 Gal (11.3 L) Hot Dog Air Compressor

OWNER'S MANUAL



3 Year Limited Warranty



Intertek
3181069

READ ALL INSTRUCTIONS BEFORE FIRST USE.
KEEP THIS MANUAL FOR FUTURE REFERENCE.
KEEP AWAY FROM CHILDREN.



WEAR CSA APPROVED
EYE PROTECTION



WEAR EAR
PROTECTION



WEAR FACE
PROTECTION

PRODUCT SPECIFICATIONS

3 GAL HOT DOG AIR COMPRESSOR	
Model No.	1635-708
Pump	Oil free
Motor	1/3 HP [†]
Voltage/Amps/Hz	120/3/60
Air Tank Capacity	3 Gallon / 11.3 L
Maximum Pressure	100 PSI [†]
CFM @ 40 PSI	0.7*
CFM @ 90 PSI	0.5*
Power Cord	SJT 18 AWG / 72 in. Length

NOTE

Avoid use of extension cords. If use of an extension cord cannot be avoided, the cord should be a minimum wire size of 12 AWG and no longer than 30 feet. Use only a 3-wire extension cord that has a 3-blade grounding plug and a 3-slot receptacle that will accept the plug on the product.

*CFM: Cubic Feet per Minute.

[†]This compressor is rated in accordance with ISO 1217, displacement compressors acceptance tests.



SAVE THESE INSTRUCTIONS

This manual contains important safety and operating instructions. Read all instructions and follow them with use of this product.

TABLE OF CONTENTS

Product Specifications1
Table of Contents2
Safety Guidelines3
Safety Symbols and Meanings.....3
Safety Information4
Key Parts Diagram6
Parts Description7
Operating Instructions8
Care and Maintenance10
Troubleshooting11
Exploded View13
Parts List14
Warranty15

SAFETY GUIDELINES

IMPORTANT SAFETY INFORMATION




The manufacturer cannot possibly anticipate every possible circumstance that might involve a hazard. The warnings in this manual, and the tags and decals affixed to the unit are, therefore, not all-inclusive. If you use a procedure, work method, or operating technique that the manufacturer does not specifically recommend, you must satisfy yourself that it is safe for you and others. You must also make sure that the procedure, work method, or operating technique that you choose does not render the compressor unsafe.

SAFETY SYMBOLS AND MEANINGS

SYMBOL	MEANING
	Toxic Fumes
	Electrical Shock
	Warning
	Fire
	Operator's Manual
	Bursting
	Flying Objects
	Hot Surface
	Hearing

The safety alert symbol indicates a potential hazard to personal injury.

A signal word (DANGER, WARNING, or CAUTION) is used with the alert symbol to designate a degree or level of hazard seriousness. A safety symbol may be used to represent the type of hazard. The signal word NOTICE is used to address practices not related to personal injury.





SYMBOL	MEANING
 DANGER	Indicates a hazard which, if not avoided, will result in death or serious injury.
 WARNING	Indicates a hazard which, if not avoided, could result in death or serious injury.
 CAUTION	Indicates a hazard which, if not avoided, could result in minor or moderate injury.
<i>Notice</i>	Address practices not related to personal injury








SAFETY INFORMATION



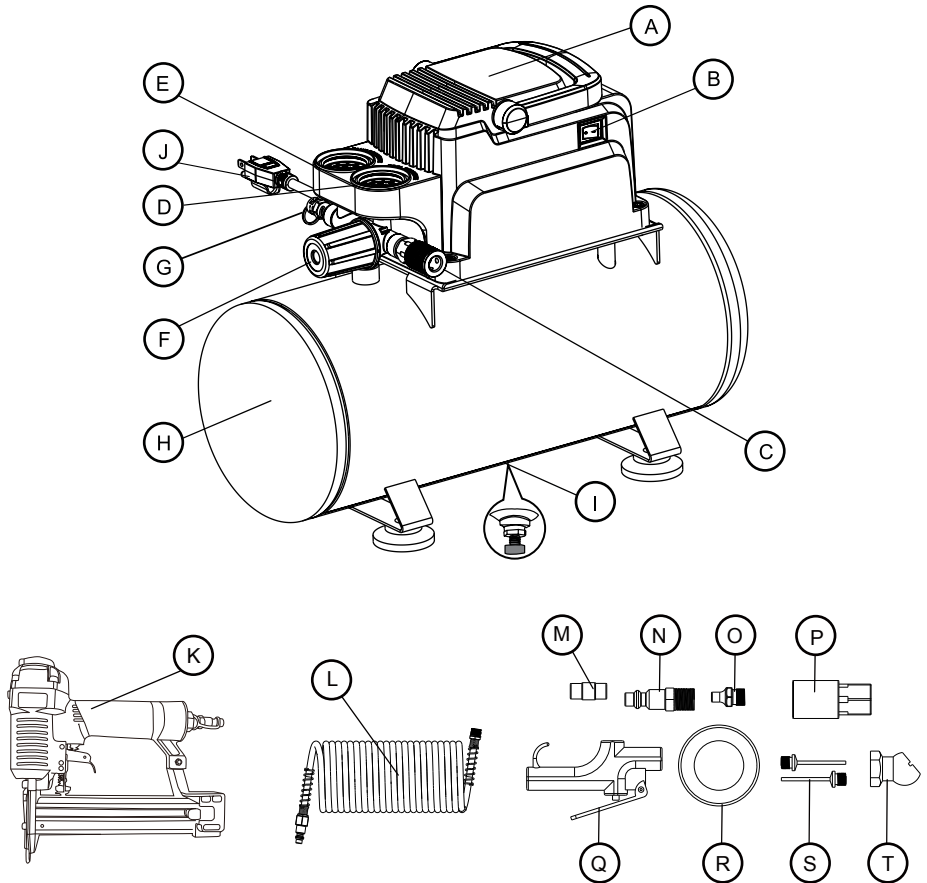
DO NOT OPERATE THIS UNIT UNTIL YOU READ AND UNDERSTAND THIS INSTRUCTION MANUAL FOR SAFETY, OPERATION, AND MAINTENANCE INSTRUCTIONS.

⚠ WARNING

SYMBOL	MEANING
	Risk of fire caused by sparks from motor and pressure switch could result in death or serious injury. Do not operate compressor near flammable gas or vapor. Never store flammable liquids or gases in vicinity of compressor.
	High pressure air could result in death or serious injury. Never operate above maximum operating pressure of the spray gun or tool. Drain water from tank after each use. <ul style="list-style-type: none"> • Do not weld or repair tank. • Do not operate with pressure switch or safety valve set above maximum allowable working pressure.
	Hot compressor surfaces could result in serious injury. Allow compressor to cool before touching.
	Inhalation hazard. Using compressor to supply breathing air could result in death or serious injury. Do not use compressor to supply breathing air.

SYMBOL	MEANING
	<p>Risk of fire could result in death or serious injury.</p> <ul style="list-style-type: none"> • Do not spray flammable materials in vicinity of any flame or ignition sources including the compressor unit. • Do not restrict compressor ventilation openings or place objects against or on top of compressor. Operate compressor only in a clean, dry, well ventilated area. • Do not operate unattended. Always turn off and unplug unit when not in use.
	<p>Risk of serious eye injury. Always wear ANSI Z87.1 approved safety glasses when using air compressor. Do not spray any part of the body.</p>
	<p>Always wear hearing protection when using an air compressor. Failure to do so may result in hearing loss.</p>
	<p>Shock risk could result in death or serious injury. Only connect compressor to a properly grounded receptacle. KEEP CHILDREN AWAY FROM THE AIR COMPRESSOR AT ALL TIMES.</p>
	<p>Dust can be created when cutting, sanding, drilling or grinding materials such as wood, paint, metal, concrete, cement, or other masonry. To reduce your exposure to these chemicals, work in a well ventilated area and ALWAYS wear approved safety equipment.</p>
	<p>To reduce the risk of electric shock, do not expose to rain. Store indoors.</p>
	<p>This air compressor is supposed to be stored in ambient temperature condition: centigrade temperature from -20 to +40°C.</p>

KEY PARTS DIAGRAM



- A. Electric Motor & Pump**
- B. ON/OFF Switch**
- C. Quick Coupler**
- D. Regulated Pressure Gauge**
- E. Tank Pressure Gauge**
- K. 1-1/4" 2 IN 1 Combi Nailer**
- M. Connector**
- O. Gas Nozzle**
- Q. Dust Blow Gun**
- S. 2 Inflation Needles**

- F. Air Pressure Regulator**
- G. Pressure Relief Valve**
- H. Air Tank**
- I. Drain Valve (Invisible)**
- J. Power Cord**
- L. 25 ft Coil Air Hose**
- N. External Thread Quick Insert**
- P. Internal Thread Quick Connector**
- R. Sealant Tape**
- T. Tire Chuck**

PARTS DESCRIPTION

A. ELECTRIC MOTOR: The motor is used to power the pump.

AIR COMPRESSOR PUMP: The pump is used to compress the air and discharge it into the tank via the piston moving up and down in the cylinder.

B. ON/OFF SWITCH: This switch turns on the compressor and is operated manually. When in the ON position, it allows the compressor to start up or shut down automatically, without warning, upon air demand. ALWAYS set this switch to OFF when the compressor is not being used, and before unplugging the compressor.

C. QUICK COUPLER: The quick coupler is connected to a quick connector which is connecting to air hose.

D. REGULATED PRESSURE GAUGE: The gauge is used to measure the regulated outlet pressure.

E. TANK PRESSURE GAUGE: The gauge is used to measure the store air pressure level of the tank. It is not adjustable by the operator, and does not indicate line pressure.

F. AIR PRESSURE REGULATOR: The regulator is used to adjust line pressure to the tool you are using. Turn the knob clockwise to increase pressure and counterclockwise to decrease pressure.

G. PRESSURE RELIEF VALVE: The valve is used to prevent system failures by relieving pressure from the system. When the pressure reaches the preset level the pressure switch will not shut down the motor, it will automatically pop open or you can pull the ring on the valve to open.



WARNING

Never attempt to open the drain valve when the tank pressure is more than 10 PSI.

H. AIR TANK: The tank is used to store the compressed air.

I. DRAIN VALVE: The drain valve is used to remove moisture from the air tank after the unit is shut off.

J. POWER CORD: This product is for use on a nominal 120-volt circuit and should be grounded. A cord with a grounding plug must be used. Make sure the product is connected to an outlet having the same configuration as the plug (see Figure 1). No adapter should be used with this product.

Check with a licensed electrician if the grounding instructions are not understood or there is doubt as to whether the product is properly grounded. Do not modify the plug provided. If it will not fit the outlet, have the proper outlet installed by a licensed electrician.

⚠ DANGER

Improper installation of the grounding plug will result in a risk of electric shock. If repair or replacement of the cord or plug is necessary, do not connect the grounding wire to either flat blade terminal. The grounding wire is in the green outer surface.

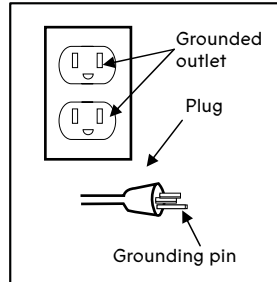


Figure 1

OPERATING INSTRUCTIONS**BEFORE EACH START UP**

1. Set the ON/OFF switch (B) to the O (off) position.
2. Turn the air pressure regulator knob (F) counterclockwise until it stops.
3. Attach air hose/accessories or air tools to the quick coupler (C).

⚠ WARNING**RISK FROM BURSTING**

Too much air pressure causes a hazardous risk of bursting. Check the manufacturer's maximum pressure rating for air tools and accessories. The regulator outlet pressure must never exceed the maximum pressure rating.

HOW TO START UP

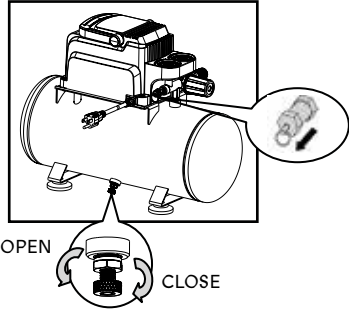
1. Close the drain valve (I) by turning clockwise.
2. Plug in the power cord (J).
3. Set the ON/OFF switch (B) to the I (on) position and allow tank pressure to build. Motor will stop when tank pressure reaches "cut-out" pressure.
4. Turn the air pressure regulator (F) clockwise until desired pressure is reached.
5. The compressor is ready for use.

⚠ WARNING



High temperatures are generated by the electric motor and the pump. To prevent burns or other injuries,

- DO NOT touch the compressor while it is running. Allow it to cool before handling or servicing.
- Keep children away from the compressor at all times. When adjusting from a higher to a lower pressure, turn the knob counterclockwise past the desired setting. Then turn clockwise to reach the desired pressure.
- Do not exceed operating pressure of the tool or accessory being used.



HOW TO SHUT DOWN

1. Set the ON/OFF switch (B) to the O (off) position.
2. Unplug the power cord (J).
3. Reduce the pressure in the tank through the outlet hose. Pulling the pressure relief valve ring (G) and keeping it open will also reduce the pressure in the tank.
4. Tip the compressor so the tank drain valve is at the bottom of the tank, then open the tank drain valve counterclockwise to allow moisture to drain from the tank.

⚠ CAUTION



Escaping air and moisture can propel debris that may cause eye injury. Wear safety glasses when opening the drain valve.

⚠ WARNING



To avoid personal injury, always shut off and unplug the unit and relieve all air pressure from the system before performing any service on the air compressor.



Risk of unsafe operation. Unit cycles automatically when power is on. When performing maintenance, you may be exposed to voltage sources, compressed air or moving parts. Personal injuries can occur. Before performing any maintenance or repair, disconnect power source from the compressor and bleed off all air pressure.



CARE AND MAINTENANCE

WARNING




To avoid personal injury, always shut off and unplug the unit and relieve all air pressure from the system before performing any service on the air compressor.

Regular maintenance will ensure trouble-free operation

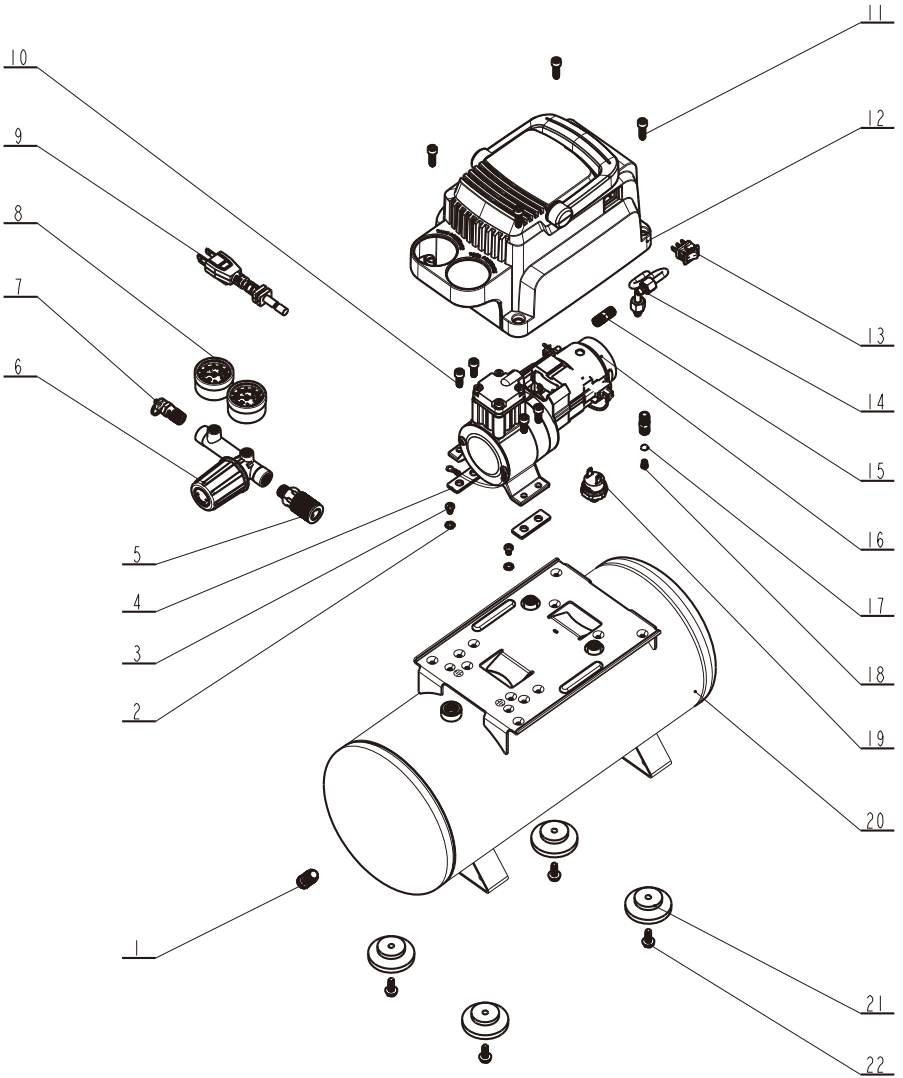
TASK	DESCRIPTION	SERVICE INTERVAL
Drain the tank	<p>To prevent corrosion inside the tank, the condensation must be drained at the end of every workday. Be sure to wear protective goggles. Relieve the air pressure in the system and then open the ball valve on the bottom of the tank.</p> 	Daily
Check the relief valve	<p>Pull the relief valve on the ring daily to ensure that it is operating properly and to clear the valve of any possible obstructions.</p> 	Daily
Test for leakage	<p>Check all connections to see if tight. A small leak of any of part (the tank, hoses, pipe connections or transfer tubes) will reduce the unit's performance. Spray a small amount of soapy water around the area of the suspected leak with a spray bottle. If bubbles appear, repair or replace the faulty component. Do not overtighten any connections.</p>	Monthly
Storage	<p>Before storing the unit for a long period, use an air blow gun to clean all dust and debris from the compressor. Disconnect and coil the power cord. Pull the pressure relief valve to release all pressure from the tank. Drain all moisture from the tank. Cover the entire unit to protect it from moisture and dust.</p>	N/A

TROUBLESHOOTING

PROBLEM	POSSIBLE CAUSE	CORRECTIVE ACTION
Low pressure not enough air or compressor does not stop	<ol style="list-style-type: none"> 1. Tank drain valve is open. 2. Fittings leak. 3. Prolonged or excessive use of air. 4. Compressor not large enough. 5. Hole in air hose. 6. Tank leaks. 7. Blown seals. 8. Valve leaks. 9. Leaking or worn piston. 	<ol style="list-style-type: none"> 1. Close tank drain valve. 2. Check fittings with soapy water. Tighten or reseal leaking fittings. DO NOT OVER TIGHTEN. 3. Decrease amount of air used. 4. Check air requirement of accessory. If it is higher than CFM and pressure supplied by compressor, you need a larger compressor. Most accessories are rated at 25% of actual CFM while running continuously. 5. Check and replace if necessary. 6.  WARNING Immediately replace tank. DO NOT attempt to repair. 7. Replace compressor assembly. 8. Replace compressor assembly. 9. Replace compressor assembly.
Air leaks from regulator, or regulator does not regulate pressure	<ol style="list-style-type: none"> 1. Dirty or damaged regulator internal parts. 	<ol style="list-style-type: none"> 1. Replace regulator or internal parts.
Regulated pressure gauge reading drops when air accessory is being used	<ol style="list-style-type: none"> 1. This is normal. 2. Compressor not large enough. 	<ol style="list-style-type: none"> 1. If pressure drops to low, adjust regulator while accessory is used. 2. Check air requirement of accessory. If it is higher than CFM and pressure supplied by compressor, you need a larger compressor. Most accessories are rated at 25% of actual CFM while running continuously.
Pressure relief valve opens	<ol style="list-style-type: none"> 1. Tank pressure exceeded normal rating pressure. 2. Pressure switch stuck. 	<ol style="list-style-type: none"> 1. Replace pressure switch. 2. Replace pressure switch.

<p>Motor will not run</p>	<ol style="list-style-type: none"> 1. Tank pressure exceeds preset pressure switch limit. 2. Fuse blown or circuit breaker tripped. 3. Check valve is stuck open. 4. Wrong wire gauge in cord or excessive extension cord length. 5. Loose electrical connections. 	<ol style="list-style-type: none"> 1. Motor will start automatically when tank pressure drops below tank cut-in pressure. 2. Replace blown fuse or reset circuit breaker. Do not use fuse or circuit breaker with higher rating than specified for you branch circuit. <ul style="list-style-type: none"> • Check for proper fuse; "Fusetron" type T is acceptable. • Check for low voltage and proper extension cord size. • Disconnect other applications from circuit. Operate compressor on a dedicated circuit. 3. Remove and clean or replace. 4. Check for proper gauge and extension cord length. 5. Contact authorized service center.
---------------------------	---	--

EXPLODED VIEW



PARTS LIST

PART	DESCRIPTION	QTY
1	Drain Valve	1
2	Lock Washer Ø5	2
3	Bolt M5×12	2
4	Rubber Pad	2
5	Quick Coupler	1
6	Header Component	1
7	Pressure Relief Valve	1
8	Pressure Gauge	2
9	Power Cord	1
10	Bolt M6×16	4
11	Hex-Bolt M6x20	4
12	Shroud	1
13	ON/OFF Switch	1
14	Transfer Tube	1
15	Straight Connector	2
16	Motor & Pump Assembly	1
17	Plug	1
18	Spring	1
19	Pressure Switch	1
20	Air Tank	1
21	Rubber Feet	4
22	Hex-Bolt M6×16	4

WARRANTY

RADLEY 3 GAL HOT DOG AIR COMPRESSOR

This warranty covers any defects in materials or workmanship of the enclosed product. Home Hardware will repair or replace any defective materials due to craftsmanship of the product. This warranty does not cover any problem caused by misuse, abuse, accidents, such as floods or hurricanes. Consequential and incidental damages are not covered under this warranty. Coverage terminates if you sell or otherwise transfer the ownership. If you feel you have a defective product, please submit a copy of your receipt to the address below and call 1-888-899-0146 for instructions prior returning this item to the store or sending back to:

RADLEY TOOLS

ST. JACOBS, ONTARIO N0B 2N0

© 2023 Home Hardware Stores Limited

We will inspect the product and contact you within 72 hours to give you the results of our inspection. We reserve the right to repair or replace the product at our discretion. However, we may replace the product with one of similar but not exact features.

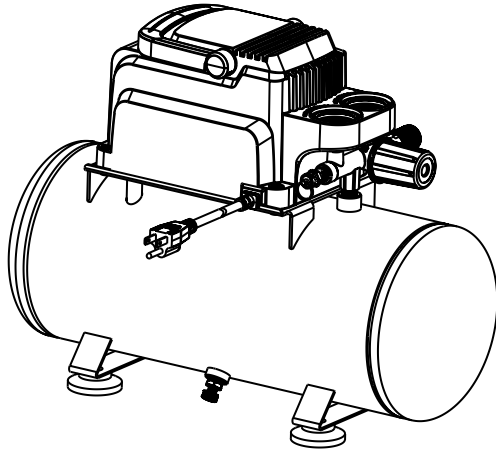
Parts and Service Information available call Home Hardware at 1-888-899-0146. This warranty gives you specific legal rights. You may have other rights which vary from state to state.

SAVE YOUR RECEIPTS

THIS WARRANTY IS VOID WITHOUT THEM

3 Gal (11.3 L) Hot Dog Air Compressor

OWNER'S MANUAL



3 Year Limited Warranty

Radley®

RADLEY TOOLS
ST. JACOBS, ONTARIO N0B 2N0
© 2023 Home Hardware Stores Limited
1-888-899-0146
Customer Service/Tech Support

1635-708

Made in China

**3 Year
warranty**

This Radley® product carries a three (3) year LIMITED warranty against defects in workmanship and materials. See Owner's Manual for full details.



Intertek
3181069

**READ ALL INSTRUCTIONS BEFORE FIRST USE.
KEEP THIS MANUAL FOR FUTURE REFERENCE.
KEEP AWAY FROM CHILDREN.**



**WEAR CSA APPROVED
EYE PROTECTION**



**WEAR EAR
PROTECTION**

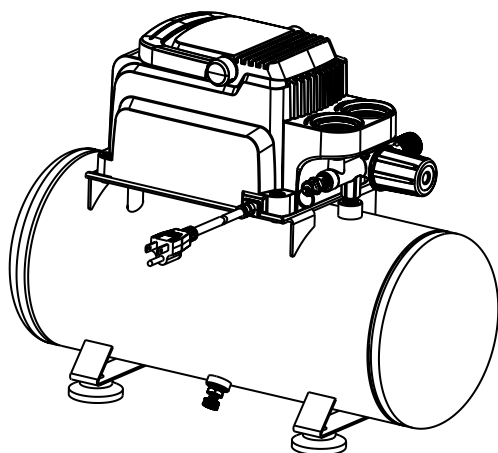


**WEAR FACE
PROTECTION**

Radley®

Compresseur d'air de type hot-dog 3 Gal (11,3 L)

MANUEL DE L'UTILISATEUR



Garantie limitée de 3 ans



Intertek
3181069

LIRE TOUTES LES DIRECTIVES AVANT LA PREMIÈRE UTILISATION.
CONSULTER LE MANUEL POUR TOUTS LES DÉTAILS.
GARDER HORS DE LA PORTÉE DES ENFANTS.



PORTER UNE
PROTECTION OCULAIRE
APPROUVÉE PAR LA CSA



PORTER UNE
PROTECTION
AUDITIVE



PORTER UN
MASQUE DE
PROTECTION

SPÉCIFICATIONS DU PRODUIT

COMPRESSEUR D'AIR DE TYPE HOT-DOG 3 GAL	
N° de modèle	1635-708
Pompe	Sans huile
Moteur	1/3 hp [†]
Tension/intensité/Hz	120/3/60
Capacité du réservoir d'air	3 gallons / 11,3 L
Pression maximale	100 lb/po ^{2†}
PCM à 40 lb/po ²	0,7 *
PCM à 90 lb/po ²	0,5 *
Cordon d'alimentation	SJT de calibre 18/longueur de 72 po

REMARQUE

Évitez d'utiliser des rallonges électriques. Si une rallonge doit être utilisée, la rallonge doit avoir une taille de fil minimale de 12 AWG et ne pas avoir plus de 30 pieds. N'utilisez qu'une rallonge à 3 fils qui comporte 3 lames munies d'une mise à la terre avec une prise à 3 ouvertures qui acceptera la fiche du produit.

* PCM : pieds cubes par minute.

[†]Ce compresseur est évalué conformément à la norme ISO 1217, tests d'acceptation des compresseurs volumétriques.



CONSERVEZ CES INSTRUCTIONS

Ce manuel contient d'importantes consignes de sécurité et d'utilisation. Lisez toutes les instructions et suivez-les lors de l'utilisation de ce produit.

TABLE DES MATIÈRES










Spécifications du produit	1
Table des matières	2
Directives en matière de sécurité	3
Symboles de sécurité et significations	3
Diagramme des pièces clés	6
Description des pièces	7
Mode d'emploi	8
Soins et entretien	10
Dépannage	11
Vue éclatée	13
Liste des pièces	14
Garantie	15


DIRECTIVES EN MATIÈRE DE SÉCURITÉ




RENSEIGNEMENTS IMPORTANTS EN MATIÈRE DE SÉCURITÉ

Le fabricant ne peut pas anticiper toutes les circonstances possibles qui pourraient comporter un danger. Les avertissements dans ce manuel, ainsi que les étiquettes et les autocollants apposés sur l'appareil, ne sont donc pas tout compris. Si vous utilisez une procédure, une méthode de travail ou une technique d'utilisation que le fabricant ne recommande pas spécifiquement, vous devez vous assurer qu'elle est sécuritaire pour vous et les autres. Vous devez également vous assurer que la procédure, la méthode de travail ou la technique d'utilisation que vous choisissez ne rend pas le compresseur dangereux.

SYMBOLES DE SÉCURITÉ ET SIGNIFICATIONS

SYMBOLE	SIGNIFICATION
	Émanations toxiques
	Choc électrique
	Avertissement
	Feu
	Manuel de l'utilisateur
	Éclatement
	Objets volants
	Surface chaude
	Danger pour l'audition





 Le symbole d'alerte de sécurité indique un danger potentiel pour les blessures corporelles. Un mot signal (DANGER, AVERTISSEMENT ou ATTENTION) est utilisé avec le symbole d'alerte pour désigner un degré ou un niveau de gravité du danger. Un symbole de sécurité peut être utilisé pour représenter le type de danger. Le mot signal AVIS est utilisé pour traiter des pratiques non liées aux blessures corporelles.

SYMBOLE	SIGNIFICATION
 DANGER	Indique un danger qui, s'il n'est pas évité, entraînera la mort ou des blessures graves.
 AVERTISSEMENT	Indique un danger qui, s'il n'est pas évité, pourrait entraîner la mort ou des blessures graves.
 MISE EN GARDE	Indique un danger qui, s'il n'est pas évité, pourrait entraîner des blessures mineures ou modérées.
<i>Attention</i>	Aborde les pratiques non liées aux blessures corporelles



N'UTILISEZ PAS CET APPAREIL TANT QUE VOUS N'AVEZ PAS LU ET COMPRIS CE MANUEL DE L'UTILISATEUR POUR LES INSTRUCTIONS DE SÉCURITÉ, D'UTILISATION ET D'ENTRETIEN.

AVERTISSEMENT

SYMBOLE	SIGNIFICATION
	Le risque d'incendie causé par des étincelles provenant du moteur et de l'interrupteur de pression peut entraîner la mort ou des blessures graves. Ne faites pas fonctionner le compresseur à proximité de gaz ou de vapeur inflammables. Ne stockez jamais de liquides ou de gaz inflammables à proximité du compresseur.
	L'air à haute pression peut entraîner la mort ou des blessures graves. N'utilisez jamais le compresseur au-dessus de la pression de service maximale du pistolet ou de l'outil. Égouttez l'eau du réservoir après chaque utilisation. <ul style="list-style-type: none"> • Ne soudez pas ou ne réparez pas le réservoir. • Ne pas l'utiliser avec un interrupteur de pression ou une soupape de sécurité réglé au-dessus de la pression de service maximale admissible.
	Les surfaces chaudes du compresseur peuvent entraîner des blessures graves. Laissez refroidir le compresseur avant de le toucher.
	Risque d'inhalation. L'utilisation du compresseur pour fournir de l'air respirable peut entraîner la mort ou des blessures graves. N'utilisez pas le compresseur pour fournir de l'air respirable.






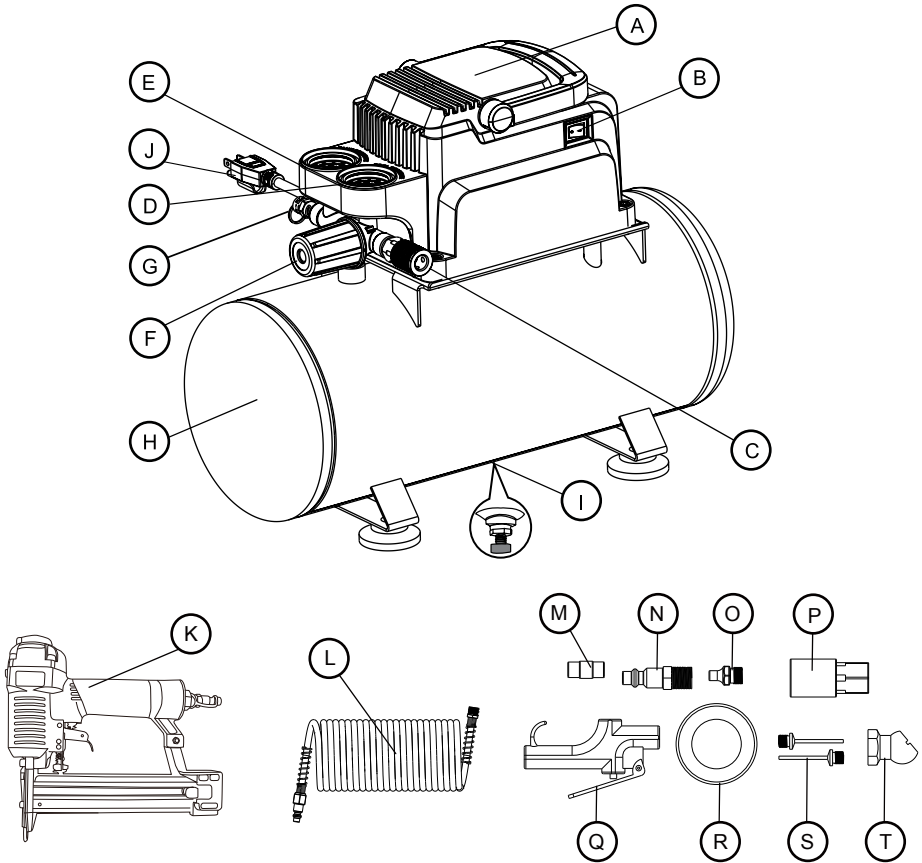
SYMBOLE	SIGNIFICATION
	<p>Un risque d'incendie peut entraîner la mort ou des blessures graves.</p> <ul style="list-style-type: none"> • Ne vaporisez pas de matériaux inflammables à proximité d'une flamme ou d'une source d'inflammation, y compris le compresseur. • Ne pas restreindre les ouvertures de ventilation du compresseur et placer des objets contre ou sur le compresseur. Faites fonctionner le compresseur uniquement dans un endroit propre, sec et bien ventilé. • Ne pas utiliser sans surveillance. Éteignez et débranchez toujours l'appareil lorsqu'il n'est pas utilisé.
	<p>Risque de blessures graves aux yeux. Portez toujours des lunettes de sécurité approuvées ANSI Z87.1 lorsque vous utilisez un compresseur d'air. Ne vaporisez aucune partie du corps.</p>
	<p>Portez toujours une protection auditive lorsque vous utilisez un compresseur d'air. Le non-respect de cette mesure peut entraîner une perte auditive.</p>
	<p>Le risque de choc peut entraîner la mort ou des blessures graves. Ne raccordez le compresseur qu'à une prise correctement mise à la terre.</p> <p>TENEZ LES ENFANTS À L'ÉCART DU COMPRESSEUR D'AIR EN TOUT TEMPS.</p>
	<p>De la poussière peut être créée lors de la coupe, du ponçage, du perçage ou du meulage de matériaux tels que le bois, la peinture, le métal, le béton, le ciment ou toute autre maçonnerie. Pour réduire votre exposition à ces produits chimiques, travaillez dans un endroit bien aéré et portez TOUJOURS un équipement de sécurité approuvé.</p>
	<p>Pour réduire le risque de choc électrique, ne pas exposer à la pluie. Entreposer à l'intérieur.</p>
	<p>Ce compresseur d'air est censé être stocké dans des conditions de température ambiante : température de -20 à +40 °C.</p>

DIAGRAMME DES PIÈCES CLÉS



- | | |
|---|--|
| A. Moteur électrique et pompe | F. Régulateur de pression d'air |
| B. Interrupteur MARCHÉ/ARRÊT | G. Soupape de limitation de pression |
| C. Connecteur rapide | H. Réservoir d'air |
| D. Manomètre réglé | I. Soupape de vidange (non visible) |
| E. Manomètre du réservoir | J. Cordon d'alimentation |
| K. Cloueuse combinée 1-1/4" 2 EN 1 | L. Tuyau d'air en spirale de 25 pi |
| M. Connecteur | N. Insertion rapide de filetage externe |
| O. Buse à gaz | P. Connecteur rapide à filetage interne |
| Q. Pistolet à poussière | R. Ruban d'étanchéité |
| S. 2 aiguilles de gonflage | T. Pneu Chuck |

DESCRIPTION DES PIÈCES

- A. MOTEUR ÉLECTRIQUE :** Le moteur est utilisé pour alimenter la pompe.
- POMPE DE COMPRESSEUR D'AIR :** La pompe est utilisée pour comprimer l'air et le décharger dans le réservoir par l'intermédiaire du piston se déplaçant de haut en bas dans le cylindre.
- B. INTERRUPTEUR MARCHÉ/ARRÊT :** Cet interrupteur allume et éteint manuellement le compresseur. Lorsqu'il est en position MARCHÉ, il permet au compresseur de démarrer ou de s'arrêter automatiquement, sans avertissement, à la demande d'air. TOUJOURS régler ce commutateur sur ARRÊT lorsque le compresseur n'est pas utilisé et avant de débrancher le compresseur.
- C. CONNECTEUR RAPIDE :** Le coupleur rapide est connecté à un connecteur rapide qui se connecte au tuyau d'air.
- D. MANOMÈTRE RÉGLÉ :** Le manomètre est utilisé pour mesurer la pression de sortie régulée.
- E. MANOMÈTRE DU RÉSERVOIR :** Le manomètre est utilisé pour mesurer le niveau de pression d'air du réservoir. Il n'est pas réglable par l'opérateur et n'indique pas la pression de la conduite.
- F. RÉGULATEUR DE PRESSION D'AIR :** Le régulateur est utilisé pour ajuster la pression de ligne à l'outil que vous utilisez. Tournez le bouton dans le sens horaire pour augmenter la pression et dans le sens antihoraire pour diminuer la pression.
- G. SOUPE DE LIMITATION DE PRESSION :** La soupape est utilisée pour prévenir les défaillances du système en limitant la pression du système. Lorsque la pression atteint le niveau préréglé, le commutateur de pression n'arrêtera pas le moteur, il s'ouvrira automatiquement ou vous pourrez tirer l'anneau sur la soupape pour l'ouvrir.

AVERTISSEMENT

N'essayez jamais d'ouvrir la soupape de vidange lorsque la pression du réservoir est supérieure à 10 lb/po².

- H. RÉSERVOIR D'AIR :** Le réservoir est utilisé pour stocker l'air comprimé.
- I. SOUPE DE VIDANGE :** La soupape de vidange est utilisée pour éliminer l'humidité du réservoir d'air après l'arrêt de l'appareil.
- J. CORDON D'ALIMENTATION :** Ce produit est utilisé sur un circuit nominal de 120 volts et doit être mis à la terre. Un cordon avec une fiche de mise à la terre doit être utilisé. Assurez-vous que le produit est connecté à une prise ayant la même configuration que la fiche (figure 1). Aucun adaptateur ne doit être utilisé avec ce produit.

Vérifiez auprès d'un électricien agréé si les instructions de mise à la terre ne sont pas comprises ou s'il y a un doute quant à la mise à la terre du produit. Ne modifiez pas la fiche fournie. S'il ne s'adapte pas à la prise, faites installer la prise appropriée par un électricien agréé.

⚠ DANGER

Une mauvaise installation de la fiche de mise à la terre entraînera un risque de choc électrique. Si la réparation ou le remplacement du cordon ou de la fiche est nécessaire, ne raccordez pas le fil de mise à la terre à l'une ou l'autre des bornes à lame plate. Le fil de mise à la terre se trouve dans la surface extérieure verte.

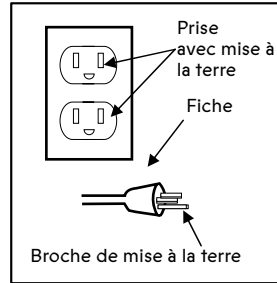


Figure 1

MODE D'EMPLOI**AVANT CHAQUE DÉMARRAGE**

1. Réglez l'interrupteur MARCHE/ARRÊT (B) en position O (arrêt).
2. Tourner le bouton du régulateur de pression d'air (F) dans le sens antihoraire jusqu'à ce qu'il s'arrête.
3. Fixez le tuyau d'air/les accessoires ou les outils pneumatiques au raccord rapide (C).

⚠ AVERTISSEMENT**RISQUE D'ÉCLATEMENT**

Une pression d'air excessive entraîne un risque dangereux d'éclatement. Vérifiez la pression maximale nominale du fabricant pour les outils et accessoires à air. La pression de sortie du régulateur ne doit jamais dépasser la pression nominale maximale.

COMMENT DÉMARRER

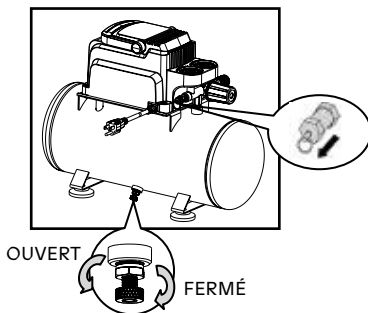
1. Fermez la soupape de vidange (I) en tournant dans le sens horaire.
2. Branchez le cordon d'alimentation (J).
3. Réglez l'interrupteur MARCHE/ARRÊT (B) en position I (MARCHE) et laissez la pression du réservoir augmenter. Le moteur s'arrêtera lorsque la pression du réservoir atteindra la pression de limitation.
4. Tournez le régulateur de pression d'air (F) dans le sens horaire jusqu'à ce que la pression désirée soit atteinte.
5. Le compresseur est prêt à l'utilisation.

⚠ AVERTISSEMENT



Des températures élevées sont générées par le moteur électrique et la pompe. Pour prévenir les brûlures ou autres blessures,

- NE TOUCHEZ PAS le compresseur pendant qu'il fonctionne. Laissez-le refroidir avant de le manipuler ou de l'entretenir.
- Gardez les enfants à l'écart du compresseur en tout temps. Lorsque vous réglez d'une pression plus élevée à une pression inférieure, tournez le bouton dans le sens antihoraire au-delà du réglage désiré. Tournez ensuite dans le sens horaire pour atteindre la pression désirée.
- Ne dépassez pas la pression de service de l'outil ou de l'accessoire utilisé.



COMMENT ARRÊTER

1. Réglez l'interrupteur MARCHE/ARRÊT (B) en position O (arrêt).
2. Débranchez le cordon d'alimentation (J).
3. Réduisez la pression dans le réservoir à travers le tuyau de sortie. Tirez l'anneau de la soupape de limitation de pression (G) et la garder ouverte réduira également la pression dans le réservoir.
4. Inclinez le compresseur de façon à ce que la soupape de vidange du réservoir soit au fond du réservoir, puis ouvrir la soupape de vidange du réservoir dans le sens antihoraire pour permettre à l'humidité de s'écouler du réservoir.

⚠ ATTENTION



L'air et l'humidité qui s'échappent peuvent propulser des débris pouvant causer des blessures aux yeux. Portez des lunettes de sécurité lors de l'ouverture de la soupape de vidange.

⚠ AVERTISSEMENT



Pour éviter des blessures corporelles, arrêtez et débranchez toujours l'appareil et videz toute pression d'air du système avant d'effectuer tout entretien sur le compresseur d'air.



Risque d'une utilisation dangereuse. L'appareil démarre automatiquement lorsque l'appareil est sous tension. Lors de l'entretien, vous pouvez être exposé à des sources de tension, à de l'air comprimé ou à des pièces mobiles. Des blessures corporelles peuvent survenir. Avant d'effectuer tout entretien ou réparation, débranchez la source d'alimentation du compresseur et purgez toute pression d'air.


SOINS ET ENTRETIEN**⚠ AVERTISSEMENT**

Pour éviter des blessures corporelles, arrêtez et débranchez toujours l'appareil et videz toute pression d'air du système avant d'effectuer tout entretien sur le compresseur d'air.

Un entretien régulier assurera un fonctionnement sans problème

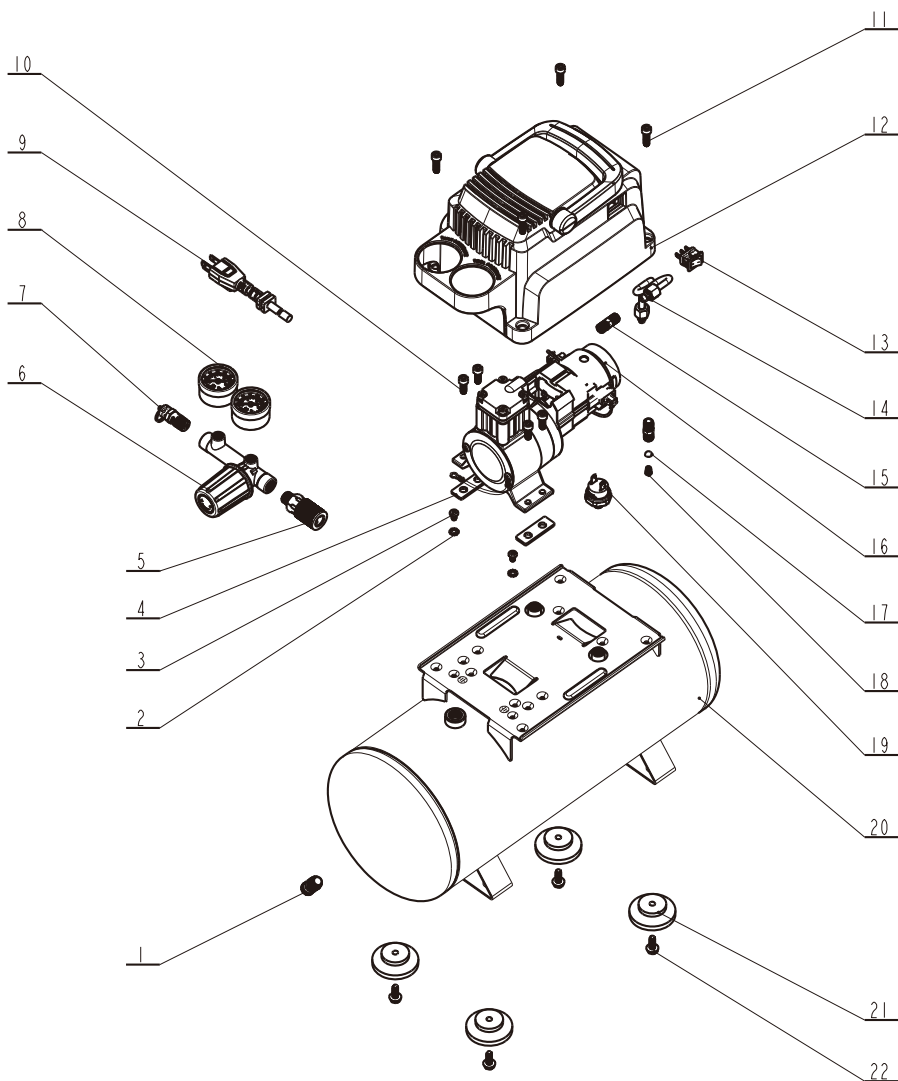
TÂCHE	DESCRIPTION	INTERVALLE D'ENTRETIEN
Vider le réservoir	<p>Pour éviter la corrosion à l'intérieur du réservoir, la condensation doit être vidangée à la fin de chaque journée de travail. Assurez-vous de porter des lunettes de protection. Soulagez la pression d'air dans le système, puis ouvrez la soupape à bille sur le fond du réservoir.</p>	Tous les jours
Vérifier la soupape de limitation	<p>Tirez quotidiennement l'anneau de la soupape de limitation sur pour vous assurer qu'elle fonctionne correctement et pour dégager la soupape de toute obstruction possible.</p>	Tous les jours
Test de fuite	<p>Vérifiez toutes les connexions pour voir si elles sont serrées. Une petite fuite de n'importe quelle pièce (le réservoir, les tuyaux, les raccords de tuyaux ou les tubes de transfert) réduira le rendement de l'appareil. Pulvérisez une petite quantité d'eau savonneuse autour de la zone de la fuite présumée avec un vaporisateur. Si des bulles apparaissent, réparez ou remplacez le composant défectueux. Ne resserrez pas trop les connexions.</p>	Tous les mois
Rangement	<p>Avant d'entreposer l'appareil pendant une longue période, utilisez un pistolet à air comprimé pour nettoyer toute la poussière et les débris du compresseur. Débranchez et enroulez le cordon d'alimentation. Tirez la soupape de limitation de pression pour libérer toute la pression du réservoir. Égouttez toute l'humidité du réservoir. Couvrez tout l'appareil pour le protéger de l'humidité et de la poussière.</p>	S.O.

DÉPANNAGE

PROBLÈME	CAUSE POSSIBLE	MESURES CORRECTIVES
Basse pression, pas assez d'air ou le compresseur ne s'arrête pas	<ol style="list-style-type: none"> 1. La soupape de vidange du réservoir est ouverte. 2. Fuite des connecteurs. 3. Utilisation prolongée ou excessive de l'air. 4. Compresseur pas assez grand. 5. Trou dans le tuyau d'air. 6. Fuites de réservoir. 7. Joints éclatés. 8. Fuites de soupape. 9. Piston qui fuit ou qui est usé. 	<ol style="list-style-type: none"> 1. Fermez la soupape de vidange du réservoir. 2. Vérifiez les connecteurs avec de l'eau savonneuse. Serrez ou scellez les connecteurs qui fuient. NE SERREZ PAS TROP. 3. Diminuez la quantité d'air utilisée. 4. Vérifiez les besoins en air de l'accessoire. S'il est plus élevé que le PCM et la pression fournie par le compresseur, vous avez besoin d'un compresseur plus gros. La plupart des accessoires sont évalués à 25 % du PCM réel tout en fonctionnant sans interruption. 5. Vérifiez et remplacez si nécessaire. 6. ⚠ AVERTISSEMENT  Remplacez immédiatement le réservoir. N'ESSAYEZ PAS de le réparer. 7. Remplacez l'assemblage du compresseur. 8. Remplacez l'assemblage du compresseur. 9. Remplacez l'assemblage du compresseur.
Les fuites d'air provenant du régulateur ou le régulateur ne régulent pas la pression	<ol style="list-style-type: none"> 1. Pièces internes du régulateur sales ou endommagées. 	<ol style="list-style-type: none"> 1. Remplacez le régulateur ou les pièces internes.

<p>La lecture du manomètre régulé chute lorsque l'accessoire pneumatique est utilisé</p>	<ol style="list-style-type: none"> 1. C'est normal. 2. Compresseur pas assez puissant. 	<ol style="list-style-type: none"> 1. Si la pression chute à un niveau bas, ajustez le régulateur pendant que l'accessoire est utilisé. 2. Vérifiez le besoin en air de l'accessoire. S'il est plus élevé que le PCM et la pression fournie par le compresseur, vous avez besoin d'un compresseur plus puissant. La plupart des accessoires sont évalués à 25 % du PCM réel tout en fonctionnant sans interruption.
<p>Ouverture de la soupape de limitation de pression</p>	<ol style="list-style-type: none"> 1. La pression du réservoir dépassait la pression nominale normale. 2. Interrupteur de pression coincé. 	<ol style="list-style-type: none"> 1. Remplacez le commutateur de pression. 2. Remplacez le commutateur de pression.
<p>Le moteur ne fonctionne pas</p>	<ol style="list-style-type: none"> 1. La pression du réservoir dépasse la limite pré réglée du commutateur de pression. 2. Fusible grillé ou disjoncteur déclenché. 3. La soupape antiretour est coincée ouverte. 4. Mauvais calibre de fil dans le cordon ou longueur excessive de rallonge. 5. Connexions électriques lâches. 	<ol style="list-style-type: none"> 1. Le moteur démarre automatiquement lorsque la pression du réservoir descend sous la pression de coupure du réservoir. 2. Remplacez le fusible grillé ou réinitialisez le disjoncteur. N'utilisez pas de fusible ou de disjoncteur ayant une puissance nominale supérieure à celle spécifiée pour votre circuit. <ul style="list-style-type: none"> • Vérifiez si le fusible est approprié; un fusible « Fusetron » de type T est acceptable. • Vérifiez s'il y a une basse tension et une taille de rallonge correcte. • Débranchez d'autres appareils du circuit. Faites fonctionner le compresseur sur un circuit dédié. 3. Retirez et nettoyez ou remplacez. 4. Vérifiez le bon calibre et la longueur de la rallonge. 5. Contactez un centre de service autorisé.

VUE ÉCLATÉE



LISTE DES PIÈCES

PIÈCE	DESCRIPTION	QUANTITÉ
1	Soupape de vidange	1
2	Rondelle de blocage Ø5	2
3	Boulon M5 x 12	2
4	Coussin en caoutchouc	2
5	Attache rapide	1
6	Composant de tête	1
7	Soupape de limitation de pression	1
8	Manomètre	2
9	Cordon d'alimentation	1
10	Boulon M6 x 16	4
11	Boulon hexagonal M6 x 20	4
12	Couvercle	1
13	Interrupteur MARCHE/ARRÊT	1
14	Tube de transfert	1
15	Connecteur droit	2
16	Assemblage moteur et pompe	1
17	Fiche	1
18	Ressort	1
19	Interrupteur de pression	1
20	Réservoir d'air	1
21	Pattes en caoutchouc	4
22	Boulon hexagonal M6 x 16	4

GARANTIE

COMPRESSEUR D'AIR DE TYPE HOT-DOG 3 GAL

Cette garantie couvre tous les défauts de matériaux ou de fabrication du produit ci-joint. Home Hardware réparera ou remplacera tout matériel défectueux en raison d'un défaut de fabrication du produit. Cette garantie ne couvre aucun problème causé par une mauvaise utilisation, un abus, des accidents, tels que des inondations ou des ouragans. Les dommages indirects et accessoires ne sont pas couverts par cette garantie. La couverture prend fin si vous vendez ou transférez l'appareil. Si vous croyez avoir un produit défectueux, veuillez soumettre une copie de votre reçu à l'adresse ci-dessous et composez le 1-888-899-0146 pour obtenir des instructions avant de retourner cet article au magasin ou de le renvoyer à :

RADLEY TOOLS

ST. JACOBS, ONTARIO N0B 2N0

© 2023 Home Hardware Stores Limited

Nous inspecterons le produit et vous contacterons dans les 72 heures pour vous donner les résultats de notre inspection. Nous nous réservons le droit de réparer ou de remplacer le produit à notre discrétion. Cependant, nous pouvons remplacer le produit par un appareil avec des caractéristiques similaires mais pas identiques.

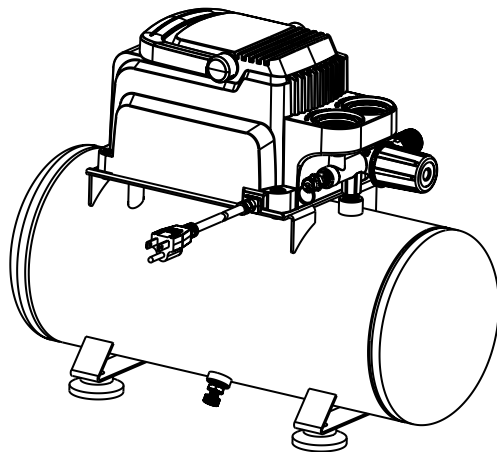
Les renseignements sur les pièces et le service sont disponibles, appelez Home Hardware au 1-888-899-0146. Cette garantie vous donne des droits légaux spécifiques. Vous pouvez avoir d'autres droits qui varient d'un État/d'une province à l'autre.

CONSERVEZ VOS REÇUS

CETTE GARANTIE EST NULLE SANS EUX

Compresseur d'air de type hot-dog 3 Gal (11,3 L)

MANUEL DE L'UTILISATEUR



Garantie limitée de 3 ans

Radley[®]

RADLEY TOOLS
ST. JACOBS, ONTARIO N0B 2N0
© 2023 Home Hardware Stores Limited
1-888-899-0146
Service à la clientèle/Soutien technique

1635-708

Fabriqué en Chine

**Garantie
de 3 ans**

Cet article Radley[®] comporte une garantie LIMITÉE de trois (3) ans contre les défauts de fabrication et de matériau(x).
Voyez les guides d'utilisation pour des renseignements complets.



Intertek
3181069

**LIRE TOUTES LES DIRECTIVES AVANT LA PREMIÈRE UTILISATION.
CONSULTER LE MANUEL POUR TOUTS LES DÉTAILS.
GARDER HORS DE LA PORTÉE DES ENFANTS.**



**PORTER UNE
PROTECTION OCULAIRE
APPROUVÉE PAR LA CSA**



**PORTER UNE
PROTECTION
AUDITIVE**



**PORTER UN
MASQUE DE
PROTECTION**