

Radley®

6 AMP RECIPROCAT



3 Year limited warranty for tool



E114847
JD3515TU

**READ ALL INSTRUCTIONS BEFORE FIRST USE.
KEEP THIS MANUAL FOR FUTURE REFERENCE.
KEEP AWAY FROM CHILDREN.**



**WEAR CSA APPROVED
EYE PROTECTION**



**WEAR EAR
PROTECTION**



**WEAR FACE
PROTECTION**

PRODUCT SPECIFICATIONS

6 AMP RECIPROCATING SAW	
Rating	120V, 60Hz, AC
Amperes	6 AMP
Variable Speed	0–2,700 SPM (no load)
Stroke Length	1" (2,54 mm)
Maximum cutting depth in wood	4" (102 mm)
Maximum cutting depth in metal	1/2" (13 mm)
Blade change system	Tool-less
Weight	6 lbs. (2.71kg)

NEED ASSISTANCE?

Call us on our toll-free customer support line:

1-866-349-8665 (Monday through Friday 9am – 5pm Eastern Standard Time)

- Technical questions
- Replacement parts
- Parts missing from package.

TABLE OF CONTENTS

Product specifications1
Table of contents..... 2
General safety warnings..... 3-5
Eye, ear & lung protection 3
Electrical safety 4
Power tool safety..... 4-5
Specific safety rules for reciprocating saws 6
Extension cord safety 7
Symbols 8
Know your reciprocating saw..... 9
Assembly and operating 9-15
Exploded view 16
Parts listing..... 17-18
Warranty 19

GENERAL SAFETY WARNINGS

WARNING

Before using this tool or any of its accessories, read this manual and follow all Safety Rules and Operating Instructions. The important precautions, safeguards and instructions appearing in this manual are not meant to cover all possible situations. It must be understood that common sense and caution are factors which cannot be built into the product.

EYE, EAR & LUNG PROTECTION

SYMBOL	MEANING
DANGER 	<p>ALWAYS WEAR EYE PROTECTION THAT CONFORMS WITH CSA Z94.3 or ANSI SAFETY STANDARD Z87.1</p> <p>FLYING DEBRIS can cause permanent eye damage. Prescription eyeglasses ARE NOT a replacement for proper eye protection. Non-compliant eyewear can cause serious injury if broken during the operation of a power tool.</p>
WARNING 	<p>Use hearing protection, particularly during extended periods of operation of the tool, or if the operation is noisy.</p>
WARNING 	<p>WEAR A DUST MASK THAT IS DESIGNED TO BE USED WHEN OPERATING A POWER TOOL IN A DUSTY ENVIRONMENT.</p> <p>Dust that is created by power sanding, sawing, grinding, drilling, and other construction activities may contain chemicals that are known to cause cancer, birth defects, or other genetic abnormalities. These chemicals include:</p> <ul style="list-style-type: none"> •Lead from lead-based paints •Crystalline silica from bricks, cement, and other masonry products •Arsenic and chromium from chemically treated lumber . <p>The level of risk from exposure to these chemicals varies, according to how often this type of work is performed. In order to reduce exposure to these chemicals, work in a well-ventilated area, and use approved safety equipment, such as a dust mask that is specifically designed to filter out microscopic particles.</p>
WARNING 	<p>To avoid electrical hazards, fire hazards or damage to the tool, use proper circuit protection.</p> <p>This tool is wired at the factory for 120 Volts AC operation. It must be connected to a 120 Volts AC, 15 Amps circuit that is protected by a time-delayed fuse or circuit breaker. To avoid shock or fire, replace power cord immediately if it is worn, cut or damaged in any way.</p>

SAVE THESE INSTRUCTIONS FOR REFERENCE

POWER TOOL SAFETY

WARNING

Read all safety warnings and instructions. Failure to follow the warnings and instructions may result in electric shock, fire and/or serious injury.

Save all warnings and instructions for future reference.

Work area safety

Keep work area clean and well lit. Cluttered or dark areas invite accidents.

Do not operate power tools in explosive atmospheres, such as in the presence of flammable liquids, gases or dust. Power tools create sparks which may ignite the dust or fumes.

Keep children and bystanders away while operating a power tool. Distractions can cause you to lose control.

Electrical safety

Power tool plugs must match the outlet. Never modify the plug in any way.

Do not use any adapter plugs with earthed (grounded) power tools.

Unmodified plugs and matching outlets will reduce risk of electric shock.

Avoid body contact with earthed or grounded surfaces such as pipes, radiators, ranges and refrigerators. There is an increased risk of electric shock if your body is earthed or grounded.

Do not expose power tools to rain or wet conditions. Water entering a power tool will increase the risk of electric shock.

Do not abuse the cord. Never use the cord for carrying, pulling or unplugging the power tool. Keep cord away from heat, oil, sharp edges or moving parts. Damaged or entangled cords increase the risk of electric shock.

When operating a power tool outdoors, use an extension cord suitable for outdoor use. Use of a cord suitable for outdoor use reduces the risk of electric shock.

If operating a power tool in a damp location is unavoidable, use a residual current device (RCD) protected supply. Use of a ground fault circuit interrupter (GFCI) reduces the risk of electric shock.

Stay alert, watch what you are doing and use common sense when operating a power tool. Do not use a power tool while you are tired or under the influence of drugs, alcohol or medication. A moment of inattention while operating power tools may result in serious personal injury.

Use personal protective equipment. Always wear eye protection. Protective equipment such as dust mask, non-skid safety shoes, hard hat, or hearing protection used for appropriate conditions will reduce personal injuries.

Prevent unintentional starting. Ensure the switch is in the off position before connecting to power source and/or battery pack, picking up or carrying the tool.

Carrying power tools with your finger on the switch or energizing power tools that have the switch on invites accidents.

Power Tool Safety – cont'd

Remove any adjusting key or wrench before turning the power tool on. A wrench or a key left attached to a rotating part of the power tool may result in personal injury.

Do not overreach. Keep proper footing and balance at all times. This enables better control of the power tool in unexpected situations.

Dress properly. Do not wear loose clothing or jewellery. Keep your hair, clothing and gloves away from moving parts. Loose clothes, jewellery or long hair can be caught in moving parts.

If devices are provided for the connection of dust extraction and collection facilities, ensure these are connected and properly used. Use of dust collection can reduce dust-related hazards.

Power tool use and care

Do not force the power tool. Use the correct power tool for your application. The correct power tool will do the job better and safer at the rate for which it was designed.

Do not use the power tool if the switch does not turn it on and off. Any power tool that cannot be controlled with the switch is dangerous and must be repaired.

Disconnect the plug from the power source and/or the battery pack from the power tool before making any adjustments, changing accessories, or storing power tools. Such preventive safety measures reduce the risk of starting the power tool accidentally.

Store idle power tools out of the reach of children and do not allow persons unfamiliar with the power tool or these instructions to operate the power tool. Power tools are dangerous in the hands of untrained users.

Maintain power tools. Check for misalignment or binding of moving parts, breakage of parts and any other condition that may affect the power tool's operation. If damaged, have the power tool repaired before use. Many accidents are caused by poorly maintained power tools.

Keep cutting tools sharp and clean. Properly maintained cutting tools with sharp cutting edges are less likely to bind and are easier to control.

Use the power tool, accessories and tool bits etc. in accordance with these instructions, taking into account the working conditions and the work to be performed. Use of the power tool for operations different from those intended could result in a hazardous situation.

Service

Have your power tool serviced by a qualified repair person using only identical replacement parts. This will ensure that the safety of the power tool is maintained.

Save these instructions for reference

SPECIFIC SAFETY RULES FOR RECIPROCATING SAWS

⚠️ WARNING

Know your reciprocating saw. Do not plug in the tool until you have read and understand this Instruction Manual. Learn the tool's applications and limitations,

as well as the specific potential hazards related to this tool. Following this rule will reduce the risk of electric shock, fire, or serious injury.

Always wear eye protection. Any power tool can throw foreign objects into your eyes and cause permanent eye damage.

ALWAYS wear safety goggles (not glasses) that comply with ANSI safety standard Z87.1.

Everyday glasses have only impact resistant lenses. They ARE NOT safety glasses.

⚠️ WARNING

Glasses or goggles not in compliance with ANSI Z87.1 could cause serious injury when they break.

⚠️ WARNING

Always use hearing protection when sawing, particularly during extended periods of operation.

⚠️ WARNING

Do not wear gloves, neckties or loose clothing.

Hold the tool by its insulated gripping surfaces when performing an operation where the saw blade may contact hidden wiring or its own cord. Contact with a "live" wire will make exposed metal parts of the tool "live" and shock the operator.

Always hold the tool with two hands. Attempting to control the tool with only one hand is dangerous. It could result in loss of control and serious injury.

Never hold the workpiece in one hand and the tool in the other hand when sawing. Never place the hands near or below the cutting surface. Clamp the workpiece and guide the tool with both hands.

Always make sure the work surface is free from nails and other foreign objects. Cutting into a nail can cause the blade and the tool to jump and damage the blade.

Never lay the workpiece on hard surfaces like concrete, stone, etc. The protruding blade may cause tool to jump.

After changing a blade or making adjustments, make sure the blade clamp is holding the blade securely. Loose blades could be violently thrown from the tool.

Never use dull or damaged blades. Sharp blades must be handled with care. Damaged blades can snap during use. Dull blades require more force to cut the workpiece, possibly causing the blade to break.

Never touch the blade during or immediately after use. After use the blade is too hot to be touched.

Save these instructions for reference

GUIDELINES FOR EXTENSION CORDS

Make sure your extension cord is the proper size. When using an extension cord, be sure to use one heavy enough to carry the current the tool will draw. An undersized cord will cause a drop in line voltage resulting in loss of power and overheating. The table on at right shows the correct size to use according to cord length and nameplate ampere rating. If in doubt, use the next heavier gauge. The smaller the gauge number the heavier the cord.

Be sure your extension cord is properly wired and in good condition. Always replace a damaged extension cord or have it repaired by a qualified electrician before using it. Protect your extension cord from sharp objects, excessive heat and damp or wet areas.

Use a separate electrical circuit for your power tools. This circuit must not be less than 14 gauge wire and should be protected with either a 15A time delay fuse or circuit breaker. Before connecting the power tool to the power source, make sure the switch is in the OFF position and the power source is the same as indicated on the nameplate. Running at lower voltage will damage the motor.

When operating a power tool outdoors, use an outdoor extension cord marked "W -A" or "W". These cords are rated for outdoor use and reduce the risk of electric shock.




WARNING: Keep the extension cord clear of the working area. Position the cord so it will not get caught on the workpiece, tools or any other obstructions while you are working with the power tool.










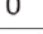



MINIMUM GAUGE (AWG) EXTENSION CORDS (120 V use only)					
Ampere rating		Total length in feet			
More than	Not more than	7.5 m (25 ft)	15 m (50 ft)	30 m (100 ft)	45 m (150ft)
0	6	18	16	16	14
6	10	18	16	14	12
10	12	16	16	14	12
12	16	14	12	Not applicable	

SYMBOLS**⚠ WARNING**

Some of the following symbols may appear on the reciprocating saw.

Study these symbols and learn their meaning. Proper interpretation of these symbols will allow for more efficient and safer operation of this tool.

V	Volts
A	Amperes
Hz	Hertz
W	Watts
kW	Kilowatts
μ F	Microfarads
L	Liters
kg	Kilograms
H	Hours
N/cm ²	Newtons per square centimeter
Pa	Pascals
OPM	Oscillations per minute
Min	Minutes
S	Seconds
 of a.c.	Alternating current
 3	Three-phase alternating current
 3N	Three-phase alternating current with neutral

	Direct Current
	No load speed
	Alternating or direct current
	Class II construction
	Splash-proof construction
	Watertight construction
	Protective grounding at grounding terminal, Class I tools
	Revolutions or Reciprocations per minute
	Diameter
	Off Position
	Directional arrow
	Warning Symbol
	Wear your safety glasses



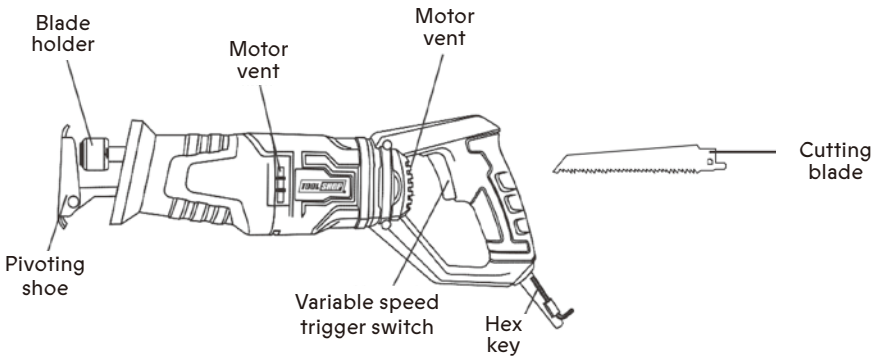
E114847
JD3515TU

This symbol designates that this tool is listed with U.S. requirements by MET Laboratories, Inc.

UL62841-1, UL62841-2-11;

CSA C22.2#62841-1, CSA C22.2#62841-2-11.

KNOW YOUR RECIPROCATING SAW



ASSEMBLY AND OPERATING

⚠️ WARNING

When servicing, use only identical replacement parts. The use of any other part may create a hazard or cause product damage.

DO NOT use solvents when cleaning plastic parts. Plastics are susceptible to damage from various types of commercial solvents and may be damaged by their use. Use a clean cloth to remove dirt, dust, oil, grease etc.

⚠️ WARNING

Do not allow brake fluid, gasoline, petroleum-based products, penetrating oils, etc. to come into contact with plastic parts. They contain chemicals that can damage, weaken or destroy plastic.

DO NOT abuse power tools. Abusive practices can damage the tool and the workpiece.

⚠️ WARNING

DO NOT attempt to modify tools or create accessories. Any such alteration or modification is misuse and could result in a hazardous condition leading to possible serious injury. It will also void the warranty.

It has been found that electric tools are subjected to accelerated wear and possible premature failure when they are used on fiberglass boats and sports cars, wallboard, spackling compounds or plaster. The chips and grindings from these materials are highly abrasive to electric tool parts such as bearings, brushes, commutators, etc.

Consequently, it is not recommended that this tool be used for extended work on any fiberglass material, wallboard, spackling compounds or plaster. During any use on these materials it is extremely important that the tool is cleaned frequently by blowing it out with an air jet.

⚠️ WARNING

Always wear safety goggles or safety glasses with side shields during all cutting operations. It is critical that you also wear safety goggles or safety glasses with side shields and a dust mask while blowing dust out of the reciprocating saw with an air jet. Failure to take these safety precautions could result in permanent eye or lung damage.

ASSEMBLY AND OPERATING

LUBRICATION

All of the bearings in this tool are lubricated with a sufficient amount of high-grade lubricant for the life of the unit under normal conditions. Therefore, no further lubrication is required.

INSTALLING A BLADE

WARNING

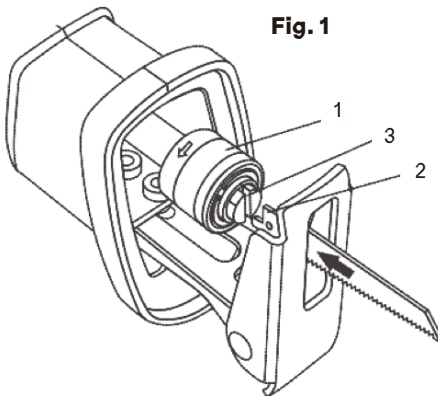
Always remove the plug from the power source before installing or removing a blade or adjusting the saw in any way.

1. To install a blade in the saw, rotate the blade locking sleeve (1) counter-clockwise (Fig. 1).
2. Insert the appropriate blade (2) into the blade slot (3) as far as it will go.
3. Release the blade locking sleeve.

NOTE: The blade will automatically be locked into the blade holder. Pull outward on the blade to ensure it is properly locked into the blade holder.

REMOVING A BLADE

To remove a blade, simply rotate the blade locking sleeve counter-clockwise and remove the blade from the blade holder



ASSEMBLY AND OPERATING – cont'd

ADJUSTING THE PIVOTING SHOE

The pivoting shoe will pivot to follow the angle of the blade to the workpiece. This action ensures the flat surface of the shoe is against the workpiece for better cutting action and easier control of the saw.

The shoe can be adjusted in or out, allowing the use of the blade teeth at different points on the blade. This will provide longer blade life as one section of the blade becomes dull.

1. To adjust the pivoting shoe (1), loosen the pivoting shoe hex screws (2) on the lower side of the saw using the 4 mm hex key (3) (Fig. 2).
2. Slide the pivoting shoe in or out until it is in the appropriate position.
3. Lock the pivoting shoe in place by tightening the pivoting shoe hex screws.
4. Pull outward on the pivoting shoe to ensure it is firmly locked in place.

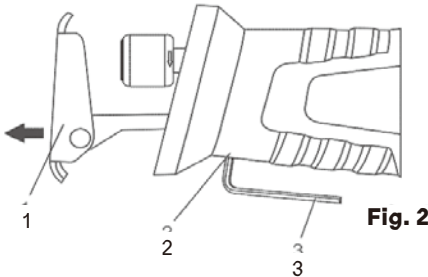


Fig. 2

VARIABLE SPEED TRIGGER SWITCH

The variable speed trigger switch controls both the ON/OFF function and the speed of the tool.

1. To turn the saw ON, squeeze the switch trigger (1) slightly (Fig. 3).
2. **NOTE:** The saw will start at its slowest speed. To increase the speed of the saw, squeeze the switch trigger harder.

NOTE: When the switch trigger is squeezed fully, the saw will run at its maximum speed.

3. To turn the saw OFF, release the switch trigger.

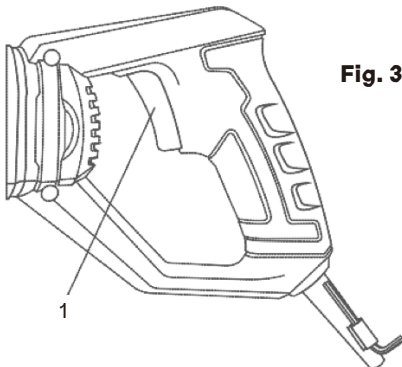


Fig. 3

ASSEMBLY AND OPERATING

MATERIALS YOU CAN CUT

This reciprocating saw is a versatile tool that allows you to cut many different types of materials. Some of these materials include:

- Wood products such as lumber, hardwood, plywood, composite board, and paneling
- Drywall
- Fiber board and plastic
- Metals, such as pipe, steel rods, sheet steel, aluminum, brass, and copper.

NOTE:

There are many different types of blades available. Generally, there are metal cutting blades (fine teeth) and wood cutting blades (coarse teeth). Use the correct blade for your application. The packaging on the blade will indicate the type of materials each blade is designed to cut.

WARNING

For safety reasons, the operator must read the sections of this Owner's Manual entitled "GENERAL SAFETY WARNINGS", "POWER TOOL SAFETY", "SPECIFIC SAFETY RULES", "EXTENSION CORD SAFETY" and "SYMBOLS" before using this reciprocating saw.

Verify the following every time the reciprocating saw is used:

1. The correct blade for the material being cut is installed in the saw.
2. The blade is firmly clamped in the blade holder.
3. The blade is sharp and in good condition.
4. The workpiece is properly secured.
5. Safety glasses and hearing protection are being worn.

ASSEMBLY AND OPERATING

GENERAL CUTTING

1. Clearly mark the workpiece to locate the position of the cut.
2. Hold smaller workpieces with a vice. Clamp larger workpieces to a workbench or table.

DANGER:

Any workpiece that is not adequately clamped in place may come loose and cause serious injury. Never hold the workpiece with your hand.

3. Make sure there are no nails, screws, clamps or foreign materials in the path of the saw blade.
4. Hold the saw away from your body and in front of you (Fig. 4).
5. With both hands firmly gripping the saw, and with the blade NOT in contact with the surface to be cut, start the saw by squeezing the switch trigger.
6. Once the saw has reached the desired speed, place the adjustable pivoting shoe against the workpiece and gradually bring the moving blade into contact with the workpiece at the appropriate location.

CAUTION: Do not force the saw. Use only enough force to keep the blade cutting. Excessive pressure on the blade will cause it to bend and twist, which may result in breaking the blade.

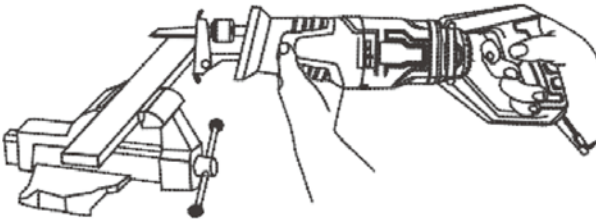


Fig. 4

PLUNGE CUTTING

1. Clearly mark the workpiece to locate the position of the cut.
2. Clamp the workpiece to a workbench or table (Fig. 5).

NOTE: Make sure the area to be cut is clear under the workpiece so that the blade will not come into contact with anything other than the workpiece.

3. Select a convenient starting point in the area to be cut out. Place the tip of the blade over that point.
4. Rest the lower edge of the adjustable pivoting shoe on the workpiece and hold it firmly in that position, maintaining a shallow cutting angle.
5. Squeeze the switch trigger to start the saw.

WARNING

Make sure the blade does not touch the workpiece until the saw reaches full speed. Loss of control and possible injury could result.

6. With the saw running at full speed, slowly tilt the saw until the tip of the blade contacts the workpiece and begins to cut. After the blade cuts through the workpiece, tilt the saw upward until the blade is perpendicular to the workpiece.

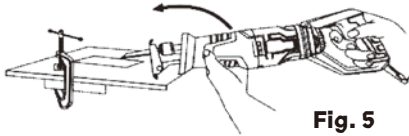


Fig. 5

METAL CUTTING

Metals such as pipe, steel rods, sheet steel, aluminum, brass and copper can be cut with your reciprocating saw (Fig. 6).

- To cut thin sheet material, "sandwich" the material between hardboard or plywood and clamp the layers to limit vibration and material tearing.
- Always use a fine toothed metal cutting blade and run the saw at medium speeds when cutting metal.
- Use cutting oil to keep the blade cool, increase cutting action, and prolong the life of the blade.
- Do not twist or bend the saw blade.
- Do not force the saw blade. Let it cut at its own speed.

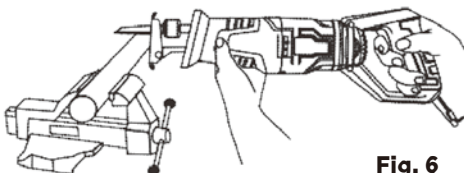


Fig. 6

METAL CUTTING – CONT'D DANGER:

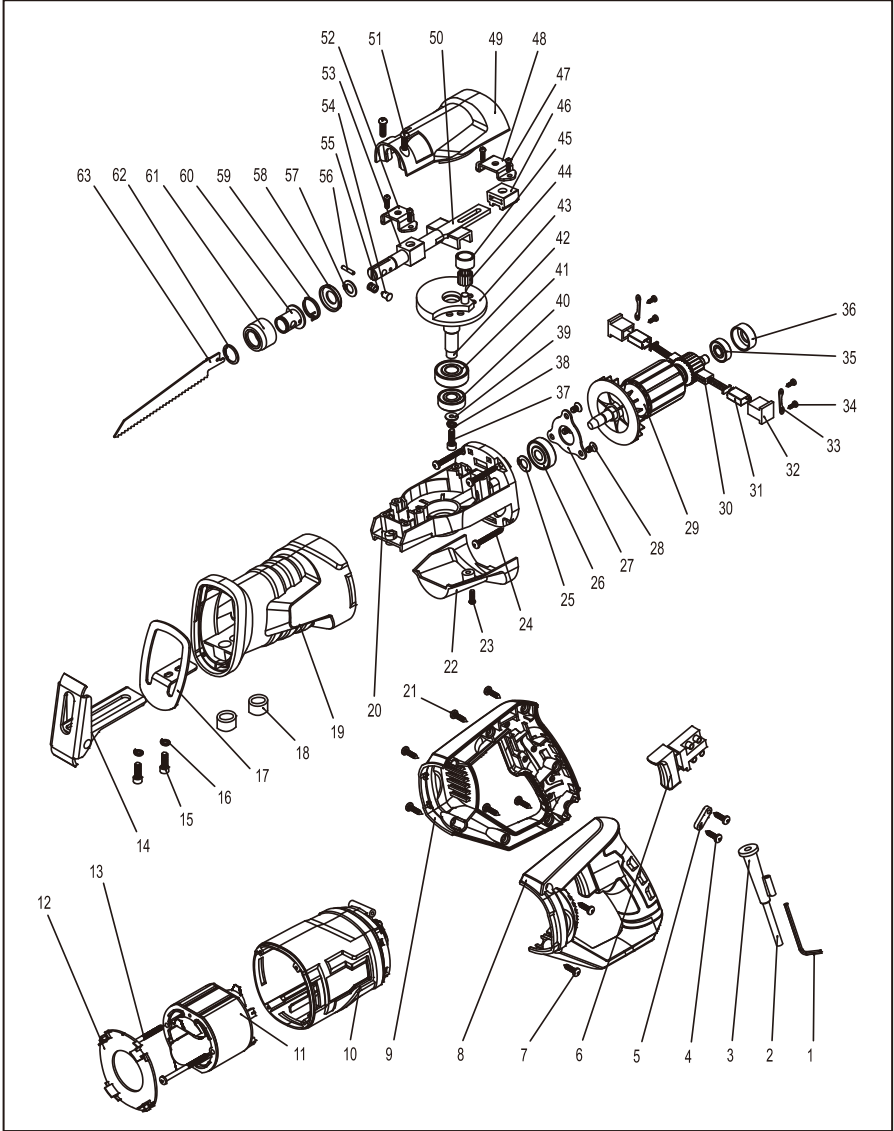
- a) Always clamp the workpiece in a vice, or to a workbench or table.
Do not hold workpiece in your hand.
- b) Never use gasoline as a lubricant or as a cleaning agent. A spark from the motor may cause an explosion. Gasoline will also damage the plastic components of the saw.

DANGER

- c) Always clamp the workpiece in a vice, or to a workbench or table.
Do not hold workpiece in your hand.
- d) Never use gasoline as a lubricant or as a cleaning agent. A spark from the motor may cause an explosion. Gasoline will also damage the plastic components of the saw.

EXPLODED VIEW

Always order by PART NUMBER, not by key number.



PARTS LIST

WARNING

When servicing, use only original equipment replacement parts.

The use of any other parts may create a safety hazard or cause damage to the reciprocating saw. Any attempt to repair or replace electrical parts on this reciprocating saw may create a safety hazard unless repairs are performed by a qualified technician. For more information, call the Toll-free Helpline, at 1-866-349-8665.

Always order by PART NUMBER, not by key number.

Key #	Part #	Part Name	Quantity
1	6140020012	Hex Key	1
2	1190030012	Cord and plug	1
3	3140010053	Cord Sleeve	1
4	4030010099	Tapping screen ST3.9X14	2
5	2030050002	Strain relief	1
6	1061020009	Switch	1
7	4030010106	Tapping screen ST3.9X19	2
8	3011110009	Left hand housing	1
9	3011110009	Right hand housing	1
10	3011110008	Motor housing	1
11	1020110006	Stator	1
12	3150050071	Air guiding ring	1
13	4030010112	Tapping screen ST3.9X50	2
14	1150020092	Base plate assembly	1
15	4020080010	Adjusting screw MX12	1
16	4040030003	Spring washer Ø5	2
17	2030100047	Soft Sheath support	2
18	3160090056	Screw cover	1
19	3140080037	Soft sheath	2
20	2020020029	Gear box	1
21	4030010106	Tapping screen ST3.9X19	7
22	3160090080	Lower cover	1
23	4020010006	Screw M4X12	1
24	4030010106	Tapping screen ST3.9X19	4
25	4100020012	Spring washer Ø5	1
26	4010010044	Bearing 6200-2Z	1
27	2030160076	Bearing clamp	1
28	4020020013	Screw M5X8	3
29	1010110006	Rotor	1
30	1230010039	Carbon brush	2

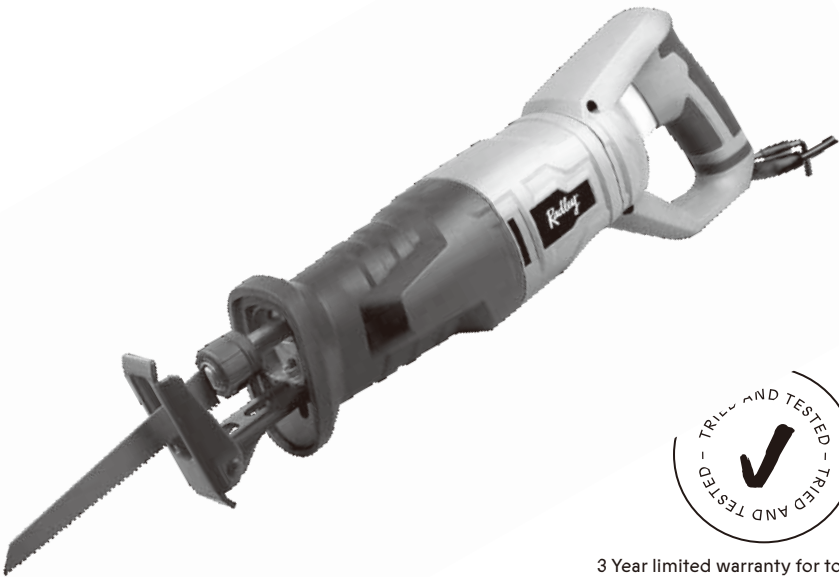
Key #	Part #	Part Name	Quantity
31	2030070007	Brush holder	2
32	3150060011	Brush holder support	2
33	2030160088	Brusher holder support clamp	2
34	4030010136	Tapping screw ST2.9X9	4
35	4010010036	Bearing 608-2Z	1
36	2030160080	Bearing sleeve	1
37	4020080011	Screw M5X12	1
38	4040030003	Spring washer ø5	1
39	4040010009	Bearing washer	1
40	4010010043	Bearing 6000-2Z	1
41	4010010078	Bearing 6201-2Z	1
42	2040040089	Spindle	1
43	2040080028	Big gear	1
44	4110010014	Pin	14
45	2040220026	Ring	1
46	2010150041	Reciprocating lever support	1
47	4020010006	Screw M4x12	4
48	2030160121	Clamping plate	1
49	3160090079	Top cover	1
50	1150010025	Plunger assembly	1
51	4020010006	Screw M4x12	2
52	2030160120	Clamping plate	1
53	2010150040	Reciprocating lever support	1
54	2040160170	Lock pin	1
55	2050060204	Spring	1
56	2040160171	Pin	1
57	4100020002	Spring washer ø11	1
58	3150160186	Bottom cover	1
59	2050050045	Spring	1
60	2040310033	Blade sleeve	1
61	2040310034	Sleeve	1
62	2030110013	Spring washer ø12	1
63	6060030005	Blade	1

WARRANTY

RADLEY 6 AMP RECIPROCATING SAW WARRANTY

If this Radley Tool fails due to a defect in material or workmanship within three years from the date of purchase, return it to any Home Hardware store with the original bill of sale for exchange. Two years for battery and charger. This warranty does not include expendable parts including but not limited to blades, brushes, belts and light bulbs. This warranty covers defects in material or workmanship only. It does not cover normal wear and tear, failure due to abuse/misuse, or defects caused by careless or accidental mishandling. If this Radley product is used for commercial or rental purposes, this warranty does not apply.

6 AMP RECIPROC



3 Year limited warranty for tool

HOME HARDWARE STORES
1100 JACOBS, ONTARIO N0B 2N0
© 2021 Home Hardware Stores Limited
1-866-349-8665
Customer Service/Tech Support

1270-003

Made in China

**3 Year
warranty**

This Radley® product carries a three (3) year LIMITED warranty against defects in workmanship and materials. See Owner's Manual for full details.



E114847
JD3515TU

**READ ALL INSTRUCTIONS BEFORE FIRST USE.
KEEP THIS MANUAL FOR FUTURE REFERENCE.
KEEP AWAY FROM CHILDREN.**



**WEAR CSA APPROVED
EYE PROTECTION**



**WEAR EAR
PROTECTION**



**WEAR FACE
PROTECTION**