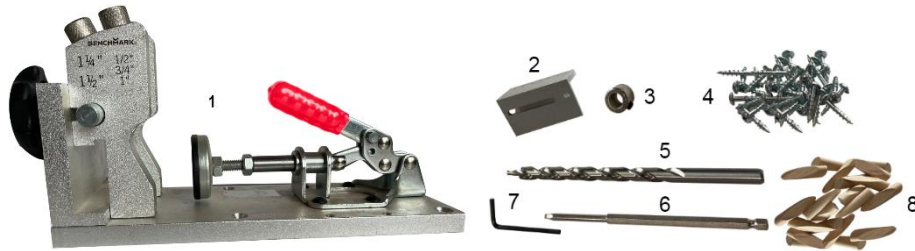


Premium Pocket Hole Jig Kit

COMPONENTS

1. 1 x Pocket-Hole Jig
2. 1 x Portable L Base
3. 3/8" Drill Stop
4. 100 x 1-1/4" (32 mm) #2 Square Self Tapping Screws
5. 3/8" Step Drill
6. #2 x 6" (150 mm) Square Drive Bit
7. 3 mm Hex Key
8. 24 x 3/8" Pocket-Hole Plugs



5 Year Limited Warranty

SAFETY WARNING: Read, understand, and follow your power tool manufacturer's instructions for safety. Always wear safety glasses or eye shields before commencing power tool operation. Always keep hands, face, and body at a safe distance from spindles and cutting tools. Always keep a firm grip on tool handles when in operation. Always disconnect from power source before adjusting power tools.

TIPS

1. It is always a good idea to make practice joints on scrap stock pieces before using your new pocket hole jig.
2. Be sure to use the depth stop to prevent drilling too deep and to achieve desired drilling depth on all your holes.
3. Only use the 3/8" step drill bit with this jig to avoid damage. Always withdraw the bit to clear out the wood shavings from the hole and drill bit if they are not clearing automatically.
4. Screwing into the end grain of a board provides the weakest connection.

Note: For additional information regarding the parts listed in the following pages, refer to the Assembly Diagram near the end of this manual.

NEED ASSISTANCE?

Call us on our toll-free customer support line:

1-866-349-8665 (Monday-Friday 9am-5pm Eastern Standard Time)

- Technical questions
- Replacement parts
- Parts missing from package

CAUTION! Handle drill bit carefully - Like any cutting tool, the flutes of a drill bit are extremely sharp. Never hold a pocket hole jig by hand while drilling holes. Always secure jig and workpiece to an immovable object before drilling. Always check drilling depth in scrap material before producing final pocket holes and driving screws. Make sure material is securely clamped into jig before drilling. Always allow drill bit to reach full speed before plunging into the workpiece.

ASSEMBLY & SETTING UP YOUR WORKPIECE MOUNTING THE POCKET HOLE JIG

It is recommended that the pocket hole jig is mounted for safety and stability during operation.

1. Secure the pocket hole jig to a wooden workbench by inserting the four included mounting screws (Fig.1), through the four recessed mounting holes in the base.

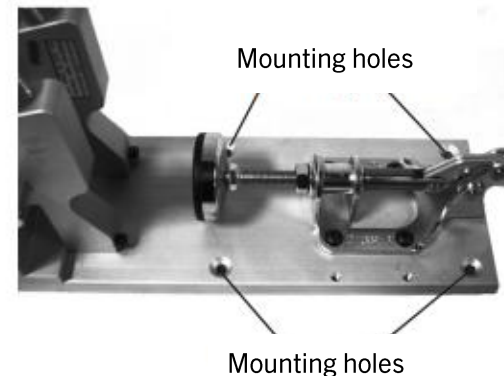


Fig.1

NOTE: If the Pocket Hole Jig is going to be used as a portable device, it is advised that it be mounted on a piece of scrap wood (not included). Mounting the Pocket Hole Jig to a piece of wood increases the stability of the tool and improves performance.

- Slide the Drill Guides (4 & 5) onto the Drill Guide Rod (3). Ensure the drill bit sizes on drill guide (4) is facing outward. (See Figure 2)
- Align the indexing lines on the back of the Drill Guides (5) with the ruler on top of the mounting bracket.

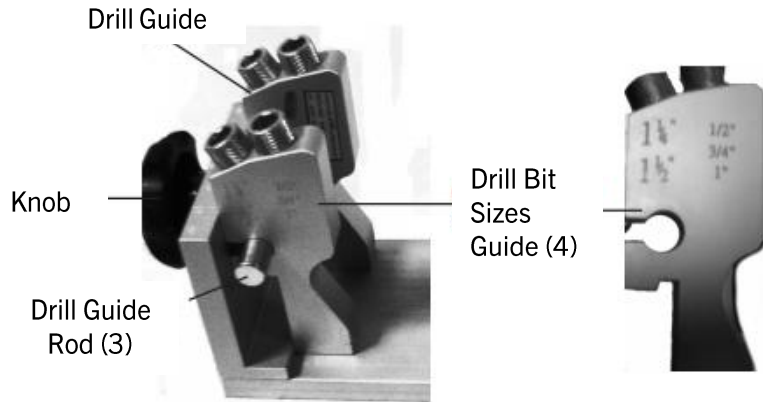
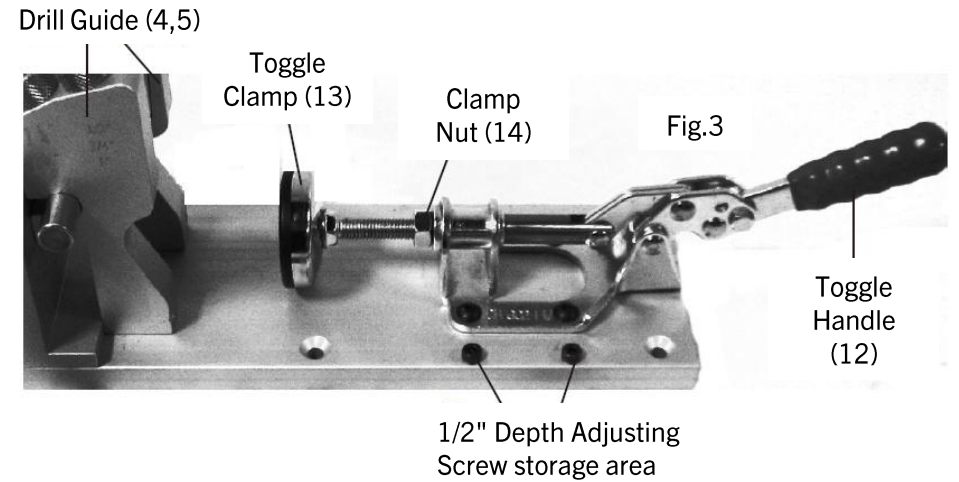


Fig.2

- Tighten the Knob (8) until the Drill Guides are held securely in the proper Location for drilling.
- Square the two workpieces to be joined and mark the intended drilling area.
- Setting up the workpiece
- Place the workpiece between the drill guides (4&5) and the toggle clamp (13).
- Push the toggle handle (12) inward to move the toggle clamp (13) toward the workpiece.
- Finely adjust the toggle clamp (13) by turning it clockwise until it is securely butted up against the workpiece.
- Pull the toggle handle (12) outward to unclamp the workpiece. Remove the workpiece from the jig.
- Turn the toggle clamp about one to one and a half more rotation clockwise to ensure a tight clamp on the workpiece.
- Tighten the clamp nut (14) against the clamp sleeve by turning it counterclockwise until the nut is flush against the sleeve. This will lock the toggle clamp (13) position.
- Replace the workpiece between the drill guides (4&5) and the toggle clamp (13).
- Push the toggle handle (12) inward to secure the workpiece between the toggle

NOTE: Secure the workpiece only as tightly as needed. Over-tightening the toggle clamp can damage wood pieces, especially soft woods such as pine or cedar.



- Choose the distance desired between the pocket holes and use the ruler on top of the fixed L Base (2) to adjust the workpiece as needed in the Pocket Hole Jig.
- The Bushings (6) on the Drill Guides (4,5) are intended for different material thicknesses. For materials 1-1/4" and 1-1/2" thick, use the Bushings closest to the Knob (8). For materials 1/2" , 3/4" or 1" thick use the Bushings that are nearest to the Toggle clamp (13).

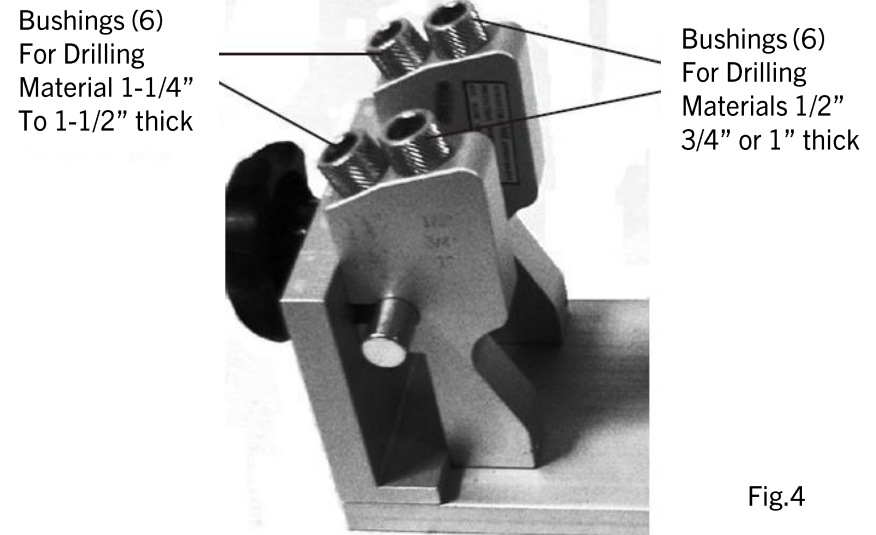


Fig.4

Drilling 1/2" material:

To correctly drill 1/2" material, it is essential to utilize the 1/2" elevation screws (15) provided. Do not use for other material thicknesses.

1. Screw the two elevation screws (15) into the lower face of the drill guides.
2. Rest the workpiece on top of the elevation screws (15) before performing the "Setting Up Your Workpiece" steps on page

NOTE: When not using the elevating screws, store them in the holes between the two mounting holes (Fig.3).

Using the depth collar

Pock holes should not go all the way through the workpiece. To stop the drill bit from going through the workpiece, utilize the depth collar.

1. Place the depth collar (19) onto the step drill bit (18) and adjust the drilling depth by changing the position of the depth collar (19) on the shank of the drill bit.
2. Once the drill depth has been determined, secure the depth collar (19) by tightening the set screw (20) on the side with the included hex wrench.

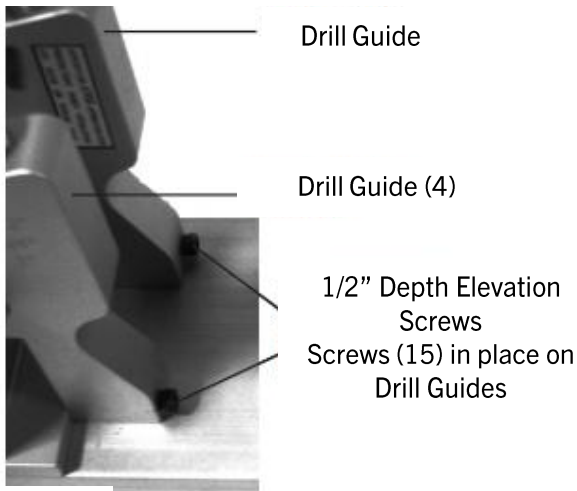


Fig.5

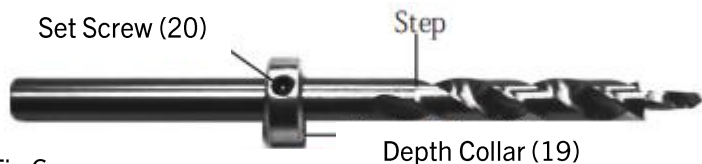


Fig.6

JIG SETTING	DEPTH COLLAR DISTANCE FROM SHOULDER OF DRILL BIT
1/2"	3-1/4"
5/8"	3-7/16"
3/4"	3-9/16"
7/8"	3-11/16"
1"	3-7/8"
1-1/8"	4-3/16"
1-1/4"	4-1/8"
1-3/8"	4-5/16"
1-1/2"	4-1/8"

To set the depth:

1. Slide the Depth Collar onto the drill bit shank (the bit should not be chucked into the drill).
2. Measure and position the Depth Collar the desired distance from the Shoulder of the drill bit.
3. Tighten the setscrew with the hex key provided.
4. Chuck the bit into your drill.

Drilling into the workpiece

1. Place the step drill bit, with the depth collar attached, into a drill (not included) and tighten the drill chuck firmly.
2. Without turning the drill on, place the drill bit into the correct drill guide bushing. Without engaging the workpiece, power the drill up to full speed and then slowly drill into the workpiece until the depth collar reaches the top of the drill guide bushings.
3. Release the drill trigger, remove from the bushing, and repeat the above steps as needed, Run the drill in reverse to back the bit out of the workpiece if needed.

Note: If using the included self-tapping screws (16-19) pocket holes only need to be drilled into one of the workpieces. No pre-drilling is required on the second workpiece.

4. Apply glue, (not included) if desired, to the ends being joined. Select the correct screw for the application and place it into the pocket hole. Screw into the second workpiece until the two pieces are tightly connected

Portable L Base

1. The Portable L Base (25) allows the Drill Guides (4&5) to be utilized without the entire Pocket Hole Jig being moved. Loosen the Knob (8) and remove both Drill Guides (4&5) from the Drill Guide Rod. (3)
2. Attach the Drill Guides (4, 5) to the Portable L Base (25), using the Socket Head Cap Screws (26) and Washers (27). Using the 3mm Hex Wrench (21), attach the Inscribed Drill Guide (4) to the fixed mounting hole on the right side of the Portable L Base. Attach the other Drill Guide (5) to the floating connection on the left side of the Portable L Base. (See Fig.7)

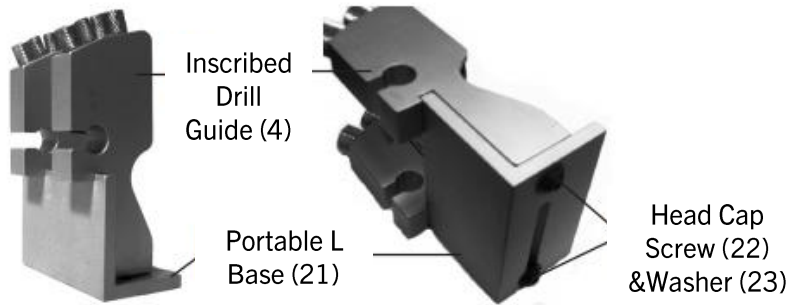


Fig.7

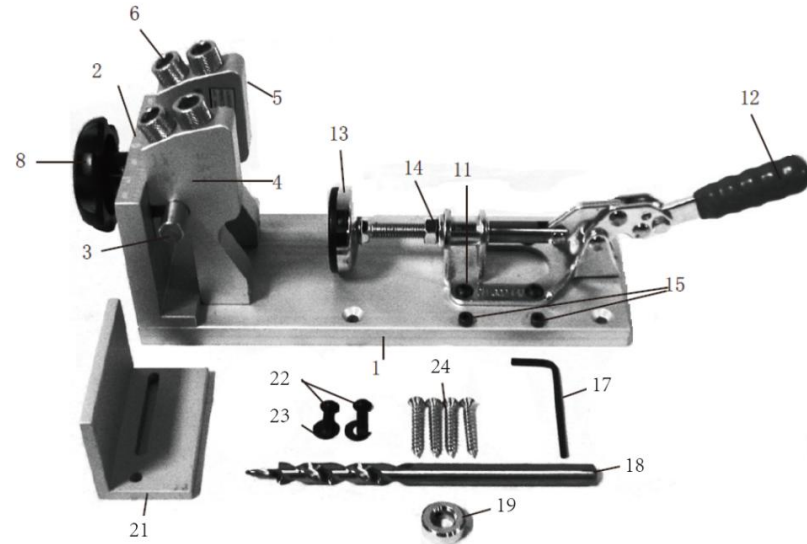
3. The Portable L Base (25) can now be used to drill pocket holes as described in the previous directions.

NOTE: The portable L base should be clamped down to the workpiece before drilling holes.

INSPECTION, MAINTENANCE, AND CLEANING

BEFORE EACH USE, inspect the general condition of the tool. Check for loose screws, misalignment, or binding of moving parts, cracked or broken parts, and any other condition that may affect its safe operation. Do not use damaged equipment.

PARTS LIST & ASSEMBLY DIAGRAM



Part	Description	Qty	Part	Description	Qty
1	Base	1	13	Toggle Clamp	1
2	L Base (fixed)	1	14	Clamp Nut	1
3	Drill Guide Rod	1	15	1/2" Depth Elevation Screw M4x6mm	2
4	Inscribed Drill Guide	1	16	1-1/4" self-tapping Screws	25
5	Drill Guide	1	17	3mm Hex Wrench	1
6	Bushings	4	18	3/8" Step Drill Bit	1
7	Washer 5/16" (not shown)	1	19	Depth Collar	1
8	Knob	1	20	2.5 mm Set Screw (not shown - in Depth Collar)	1
9	Countersink Head Cap Screw M5x20mm (not shown)	2	21	Portable L Base	1
10	Countersink Head Cap Screw M5x15mm (not shown)	1	22	Socket Head Cap Screws	2
11	Socket Head Cap Screw M5x10mm	4	23	Washer	2
12	Toggle Handle	1	24	Mounting Screws	4

BENCHMARK WARRANTY

If this Benchmark tool fails due to a defect in material or workmanship within five years from the date of purchase, return it to any Home Hardware store with the original bill of sale for exchange. 3-year warranty for the battery and charger. This warranty does not include expendable parts including but not limited to blades, brushes, belts, light bulbs. This warranty covers defects in material or workmanship only. It does not cover normal wear and tear, failure due to abuse/misuse, or defects caused by careless or accidental mishandling. If this Benchmark product is used for commercial or rental purposes, this warranty does not apply.

**BENCHMARK TOOLS CANADA**

ST. JACOBS, ONTARIO N0B 2N0

© 2022 Home Hardware Stores Limited

CUSTOMER SERVICE/SERVICE À LA CLIENTÈLE

1-866-349-8665