

POCKET HOLE JIG KIT

COMPONENTS

1. Pocket Hole Jig
2. 3/8" Step Drill Bit
3. Square Drive bit
4. Drill Stop
5. 2.5mm Hex Key Wrench



5 Year Limited Warranty

NEED ASSISTANCE?

Call us on our toll-free customer support line:
1-866-349-8665 (Monday-Friday 9am-5pm Eastern Standard Time)

- Technical questions
- Replacement parts
- Parts missing from package

CAUTION! Handle drill bit carefully - Like any cutting tool, the flutes of a drill bit are extremely sharp. Never hold a pocket hole jig by hand while drilling holes.

Always secure jig and workpiece to an immovable object before drilling.

Always check drilling depth in scrap material before producing final pocket holes and driving screws.

Make sure material is securely clamped into jig before drilling.

Always allow drill bit to reach full speed before plunging into the workpiece.

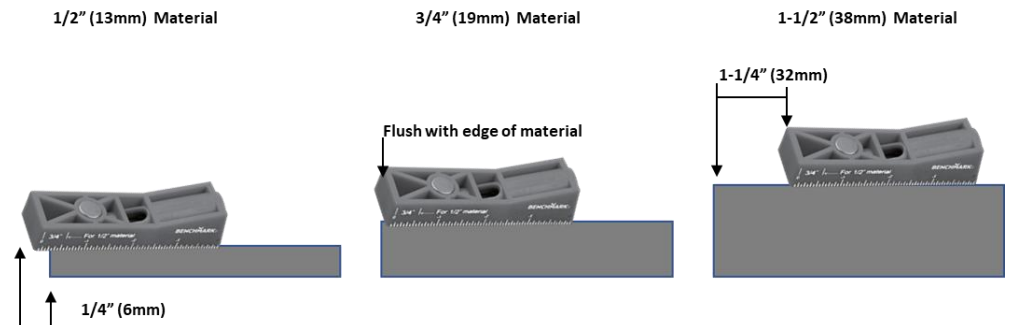
SAFETY WARNING: Read, understand, and follow your power tool manufacturer's instructions for safety. Always wear safety glasses or eye shields before commencing power tool operation. Always keep hands, face, and body at a safe distance from spindles and cutting tools. Always keep a firm grip on tool handles when in operation. Always disconnect from power source before adjusting power tools.

TIPS

1. It is always a good idea to make practice joints on scrap stock pieces before using your new pocket hole jig.
2. Be sure to use the depth stop to prevent drilling too deep and to achieve desired drilling depth on all your holes.
3. Only use the 3/8" step drill bit with this jig to avoid damage. Always withdraw the bit to clear out the wood shavings from the hole and drill bit if they are not clearing automatically.
4. Screwing into the end grain of a board provides the weakest connection.

JIG POSITIONING

The thickness of the board will determine where you place the jig on your work piece.



DEPTH COLLAR SETTINGS

The depth of your pocket hole will vary depending upon the thickness of the material. The position of the depth collar on the step drill bit needs to be adjusted according to the thickness of the material to be joined.

To get the amount of screw penetration shown in the chart below Fig. 2 (jig setting), use these standard depth collar settings as measured, from the shoulder of the drill bit to the depth collar (Fig.1).

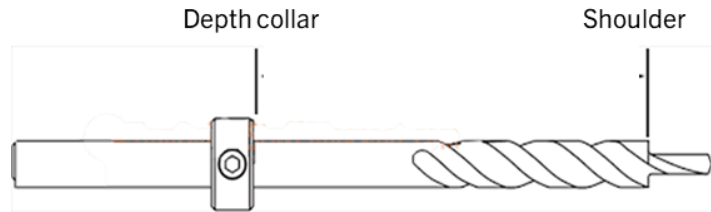


Fig.1

| JIG SETTING | DEPTH COLLAR DISTANCE FROM SHOULDER OF DRILL BIT |
|-------------|--|
| 1/2" | 3-1/4" |
| 5/8" | 3-7/16" |
| 3/4" | 3-9/16" |
| 7/8" | 3-11/16" |
| 1" | 3-7/8" |
| 1-1/8" | 4-3/16" |
| 1-1/4" | 4-1/8" |
| 1-3/8" | 4-5/16" |
| 1-1/2" | 4-1/8" |

Fig.2

To set the depth:

1. Slide the Depth Collar onto the drill bit shank (the bit should not be chucked into the drill).
2. Measure and position the Depth Collar the desired distance from the Shoulder of the drill bit.
3. Tighten the setscrew with the hex key provided.
4. Install the bit into your drill chuck.

DRILLING AND CLAMPING

WARNING: It is important to make sure your Jig is securely clamped or fastened to your work piece and that your workpiece is clamped securely to a workbench before drilling.

NOTE: This jig comes equipped with a magnet for easy clamping.

1. Use the Step Drill Bit included with the kit for drilling Pocket-Holes.
2. Partially insert the bit into the Jig, bring your drill up to its highest speed and smoothly plunge the bit through the steel drill guide.
3. Wood chips and sawdust will automatically be ejected for a clean pocket hole.

BENCHMARK WARRANTY

If this Benchmark tool fails due to a defect in material or workmanship within five years from the date of purchase, return it to any Home Hardware store with the original bill of sale for exchange. 3-year warranty for the battery and charger. This warranty does not include expendable parts including but not limited to blades, brushes, belts, light bulbs. This warranty covers defects in material or workmanship only. It does not cover normal wear and tear, failure due to abuse/misuse, or defects caused by careless or accidental mishandling. If this Benchmark product is used for commercial or rental purposes, this warranty does not apply.



BENCHMARK TOOLS CANADA

ST. JACOBS, ONTARIO N0B 2N0

© 2022 Home Hardware Stores Limited

CUSTOMER SERVICE/SERVICE À LA CLIENTÈLE

1-866-349-8665